



US00D838473S

(12) **United States Design Patent**
Stevens

(10) **Patent No.:** **US D838,473 S**

(45) **Date of Patent:** **** Jan. 22, 2019**

(54) **INSERTABLE BEVERAGE CONTAINER
SUPPORT APPARATUS**

(71) Applicant: **Joel Edward Stevens**, Weatherford, TX
(US)

(72) Inventor: **Joel Edward Stevens**, Weatherford, TX
(US)

(**) Term: **15 Years**

(21) Appl. No.: **29/664,011**

(22) Filed: **Sep. 20, 2018**

(51) **LOC (11) Cl.** **03-01**

(52) **U.S. Cl.**
USPC **D3/202**

(58) **Field of Classification Search**

USPC D3/201, 202; D7/601, 602, 608, 619.1,
D7/624.1, 624.2; D9/500, 516, 549, 558,
D9/424, 428, 455; D12/411
CPC ... A47G 23/16; A45F 3/16; A45F 2200/0583;
B65D 3/26; B65D 5/44; B65D 5/746;
B65D 47/00; B65D 47/40; B67C 11/00;
B67C 2011/20

See application file for complete search history.

(56) **References Cited**

U.S. PATENT DOCUMENTS

2,834,497 A * 5/1958 Wolf B65D 47/40
222/571
3,543,287 A * 11/1970 Henkel B65D 25/02
220/4.03
3,868,051 A * 2/1975 Goof B65D 47/40
222/571
4,163,374 A * 8/1979 Moore B65D 81/3883
220/592.01
D298,719 S * 11/1988 Beckerer, Jr. D11/152
4,852,762 A * 8/1989 Chou-Sheng A45F 3/16
220/709
D303,199 S * 9/1989 Parsons D7/624.1

5,088,673 A * 2/1992 Chandler B60N 3/103
215/386
D345,716 S * 4/1994 Kwiatkowski D11/131.1
5,361,604 A * 11/1994 Pier B65D 81/3883
62/371
D368,410 S * 4/1996 Shiner D7/608
D429,150 S * 8/2000 Lindsay D7/602
D463,933 S * 10/2002 Carlson D6/531
D474,111 S * 5/2003 Lazaris D9/425
D508,374 S * 8/2005 Martin D7/590
D513,939 S * 1/2006 Leonzo D7/608
D514,895 S * 2/2006 van Elderen D7/602
7,013,934 B1 * 3/2006 Hicok B65B 39/00
141/297
D536,579 S * 2/2007 Roth B65D 21/0204
D7/523

(Continued)

FOREIGN PATENT DOCUMENTS

WO DM/036 076 6/1966
WO DM/047 055 5/1999
WO DM/092 834 10/2017

Primary Examiner — John Windmuller
Assistant Examiner — Steven J Czyz

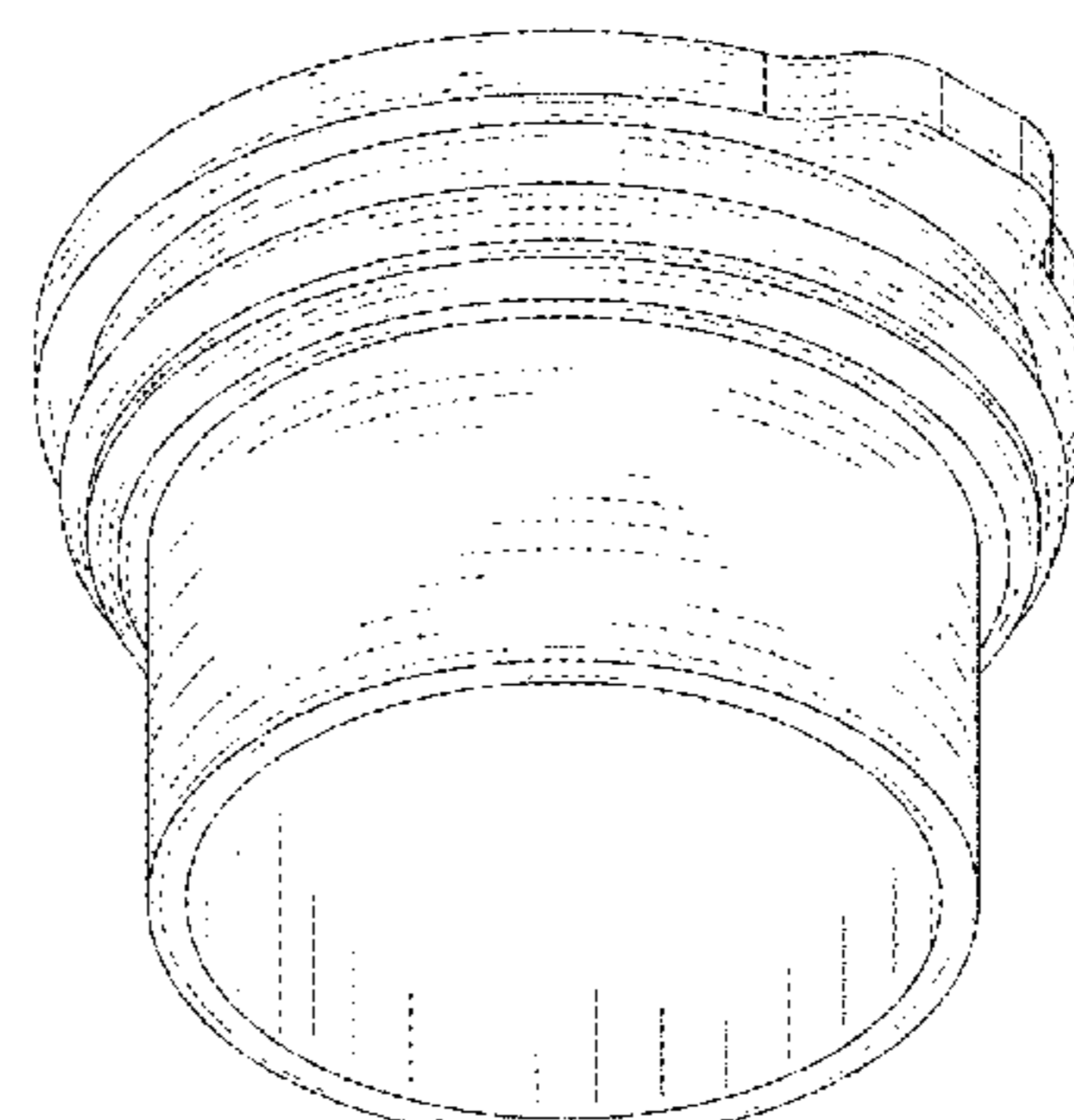
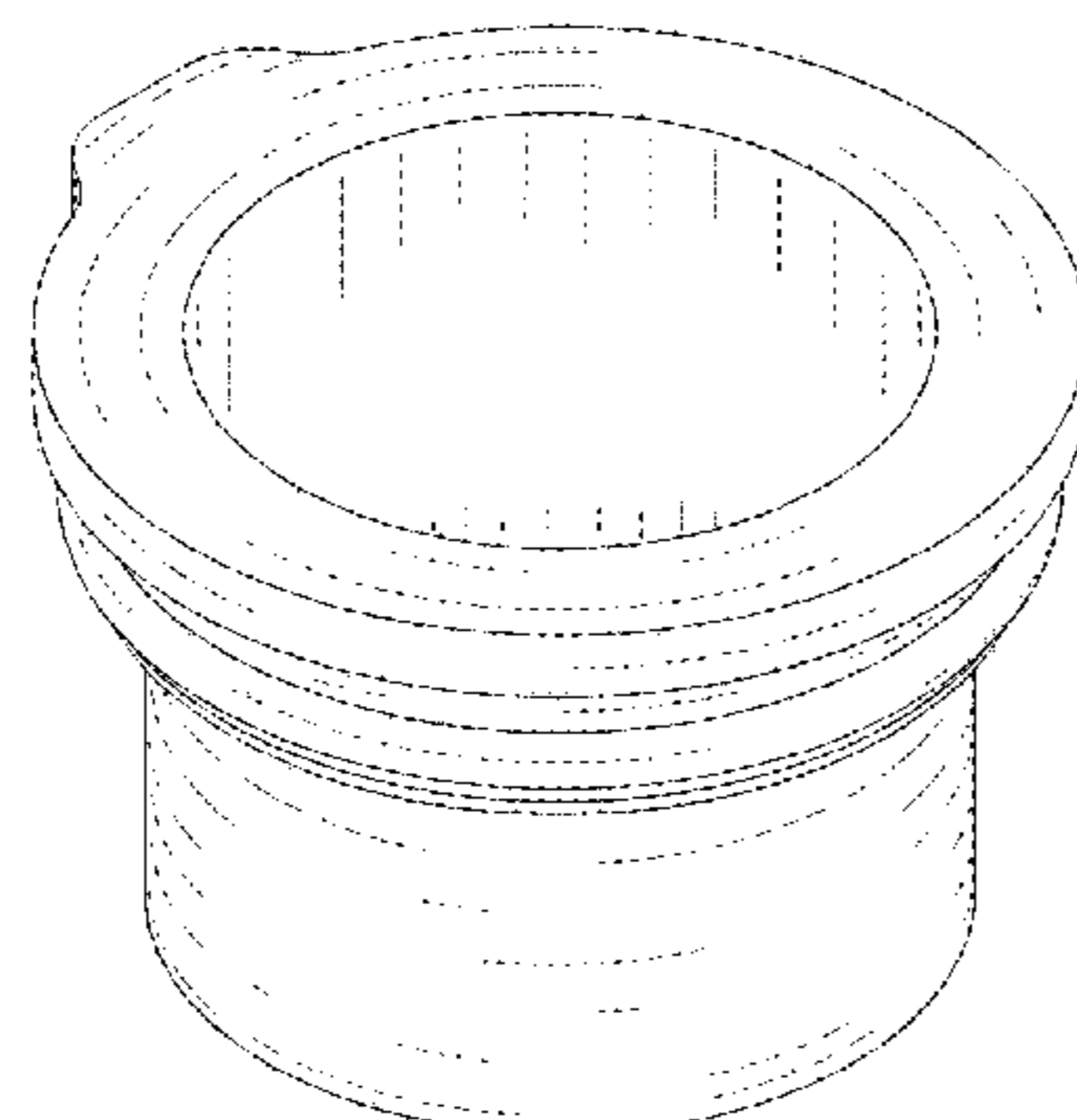
(57) **CLAIM**

The ornamental design for an insertable beverage container support apparatus, as shown and described.

DESCRIPTION

FIG. 1 is a top perspective view of an insertable beverage container support apparatus showing my new design; FIG. 2 is a bottom perspective view thereof; FIG. 3 is a front view thereof; FIG. 4 is a rear view thereof; FIG. 5 is a left view thereof; FIG. 6 is a right view thereof; FIG. 7 is a top view thereof; and, FIG. 8 is a bottom view thereof.

1 Claim, 8 Drawing Sheets



(56)

References Cited

U.S. PATENT DOCUMENTS

D568,156	S	*	5/2008	Wilson	D9/428
D571,163	S	*	6/2008	Gillan	D7/602
D587,118	S	*	2/2009	Sadiq	D9/516
D598,743	S	*	8/2009	LaMasney	D7/316
D640,547	S	*	6/2011	Guillemin	D9/417
D649,871	S	*	12/2011	Noer	D9/428
D652,266	S	*	1/2012	Smyers	D7/630
D698,649	S	*	2/2014	Quint	D7/400
D703,009	S	*	4/2014	Wampold	D7/606
D715,649	S	*	10/2014	O'Brien	D9/500
D733,555	S	*	7/2015	Brady	D9/428
D735,574	S	*	8/2015	Brady	D9/428
D746,641	S	*	1/2016	Panone	D7/602
D753,954	S	*	4/2016	Schreiber	D7/400
D760,034	S	*	6/2016	Tang	D7/624.1
D760,584	S	*	7/2016	Katz	D9/416
9,505,599	B2	*	11/2016	Marantis	A61M 1/0003
D793,227	S	*	8/2017	Maskell	D7/602
D795,643	S	*	8/2017	Barlow	D7/510
D797,503	S	*	9/2017	Robotti	D7/400
D798,673	S	*	10/2017	Gilmore	D7/624.1
D798,718	S	*	10/2017	Foster	D9/500
D805,856	S	*	12/2017	Rivera	D7/624.2
D815,925	S	*	4/2018	Rapparini	D9/500
D825,335	S	*	8/2018	Buck	D9/500
D829,056	S	*	9/2018	Wall	D7/608
D829,065	S	*	9/2018	Marantis	D7/700

* cited by examiner

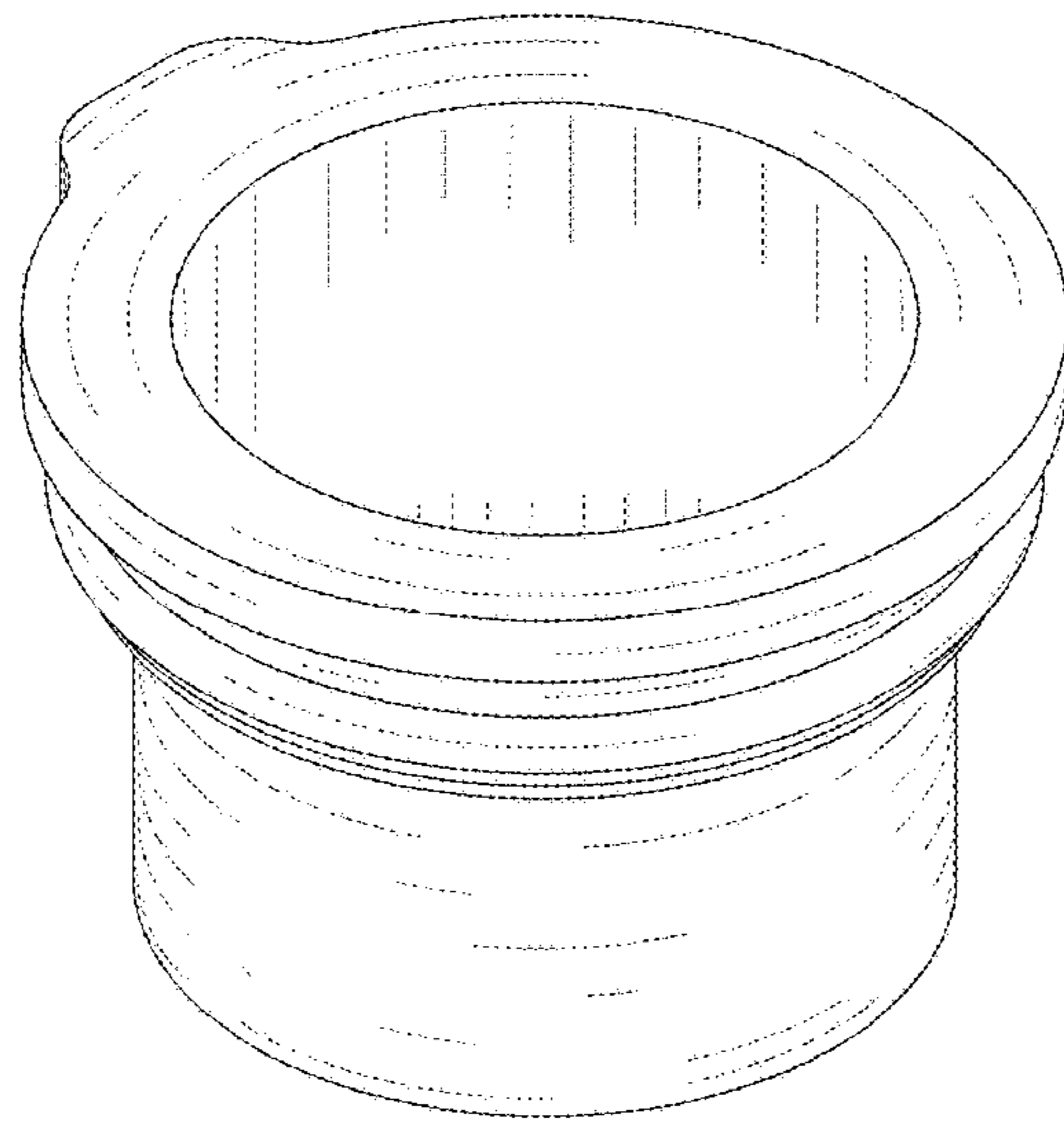


FIG. 1

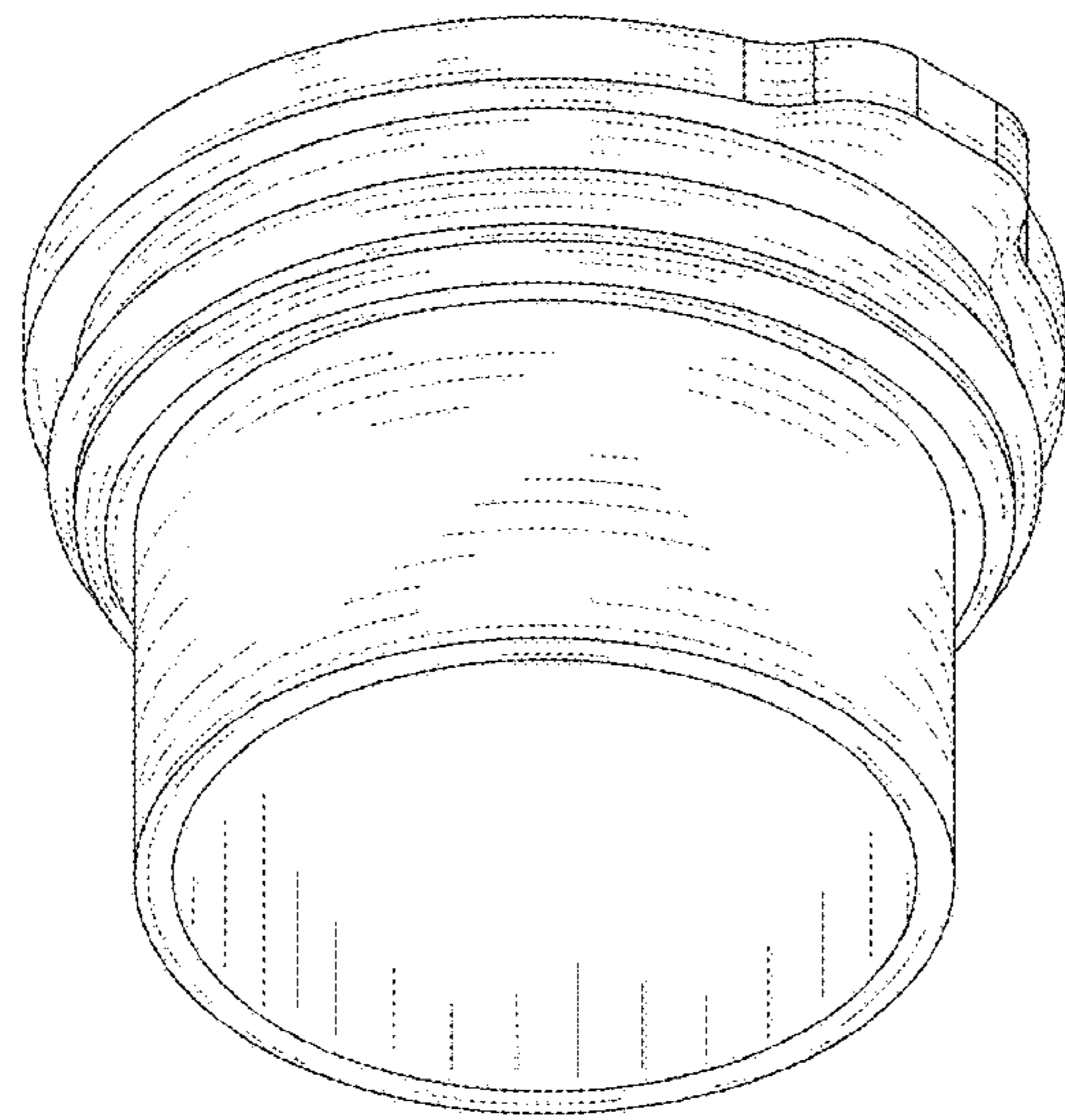


FIG. 2

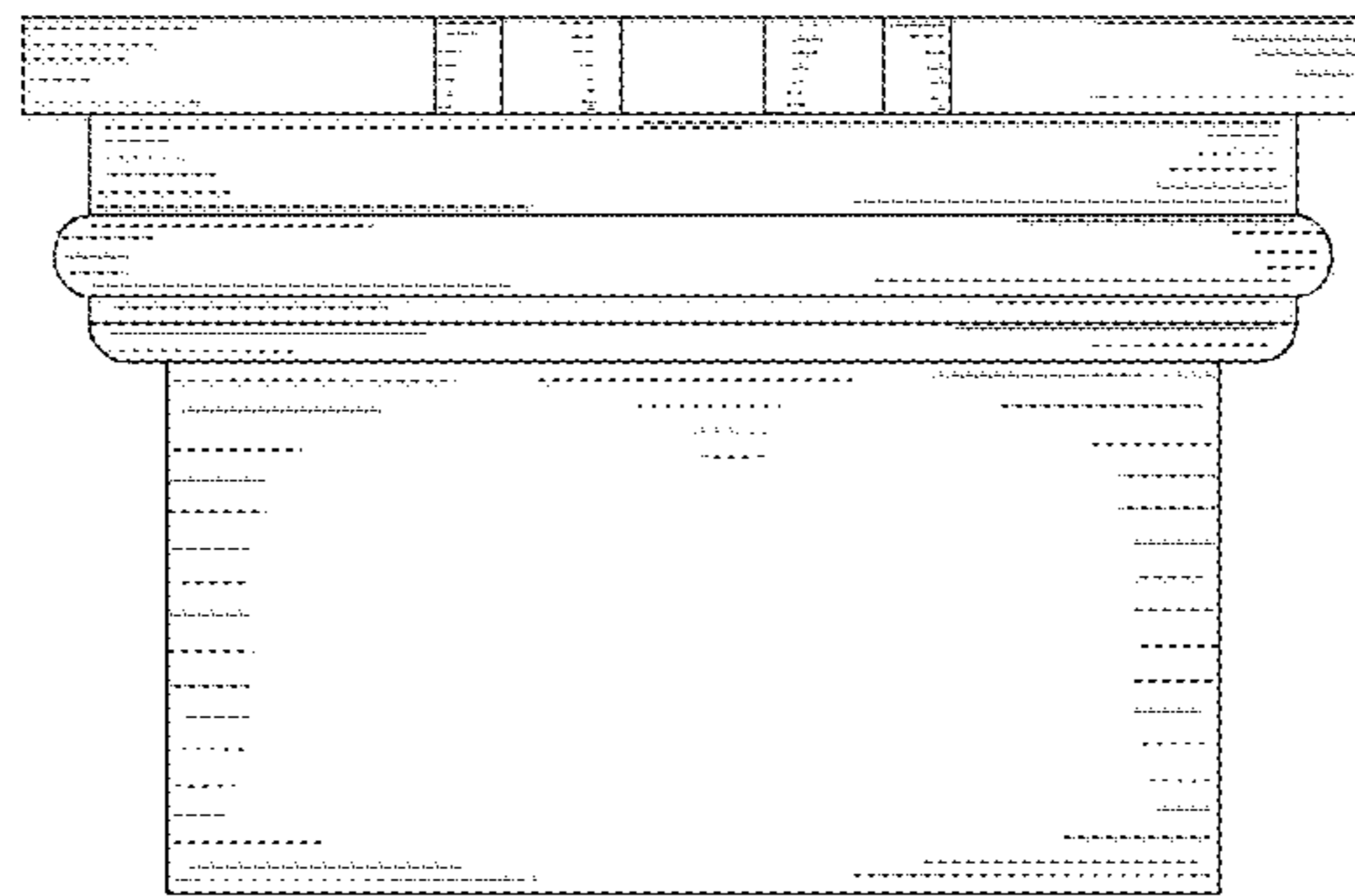


FIG. 3



FIG. 4

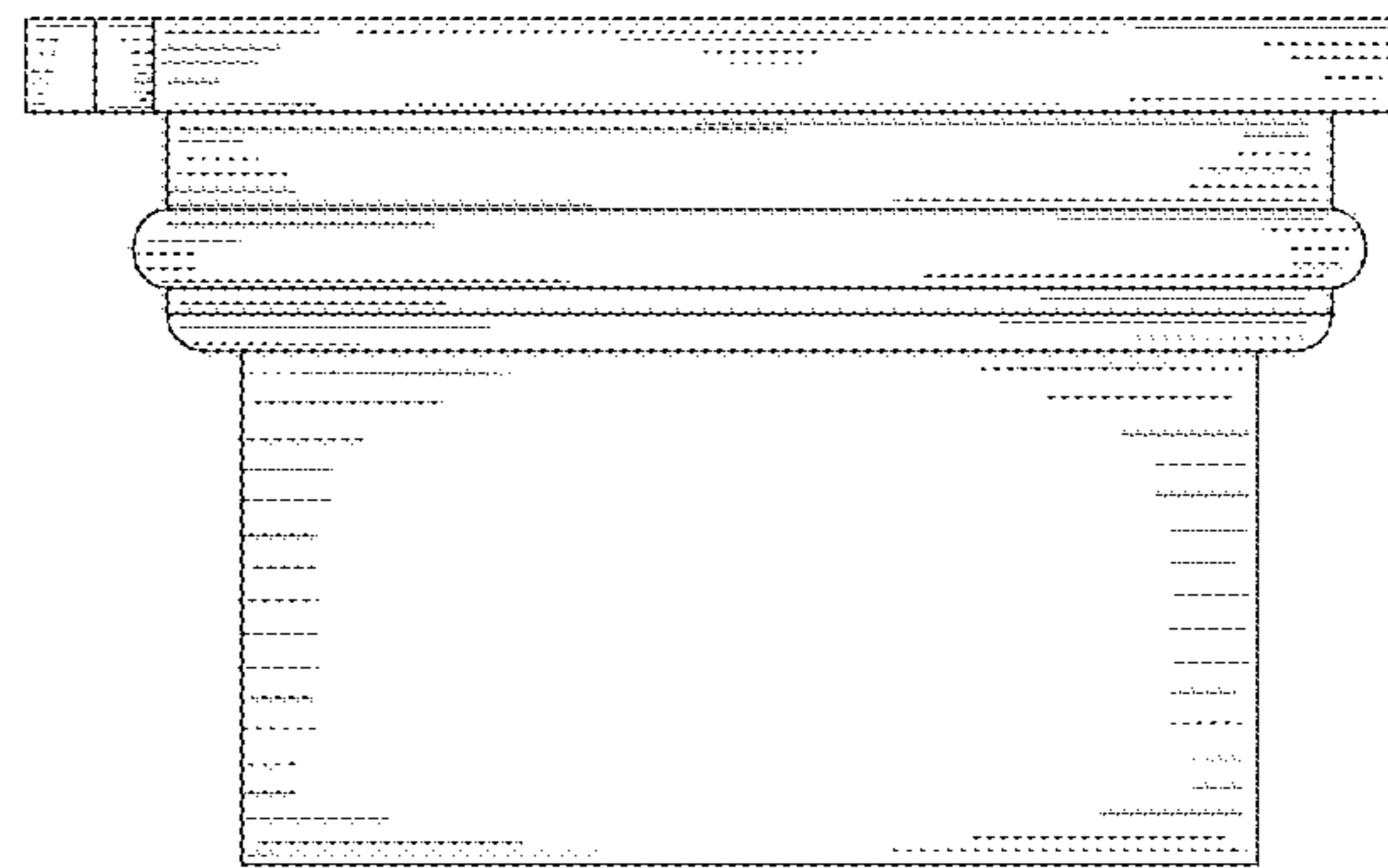


FIG. 5

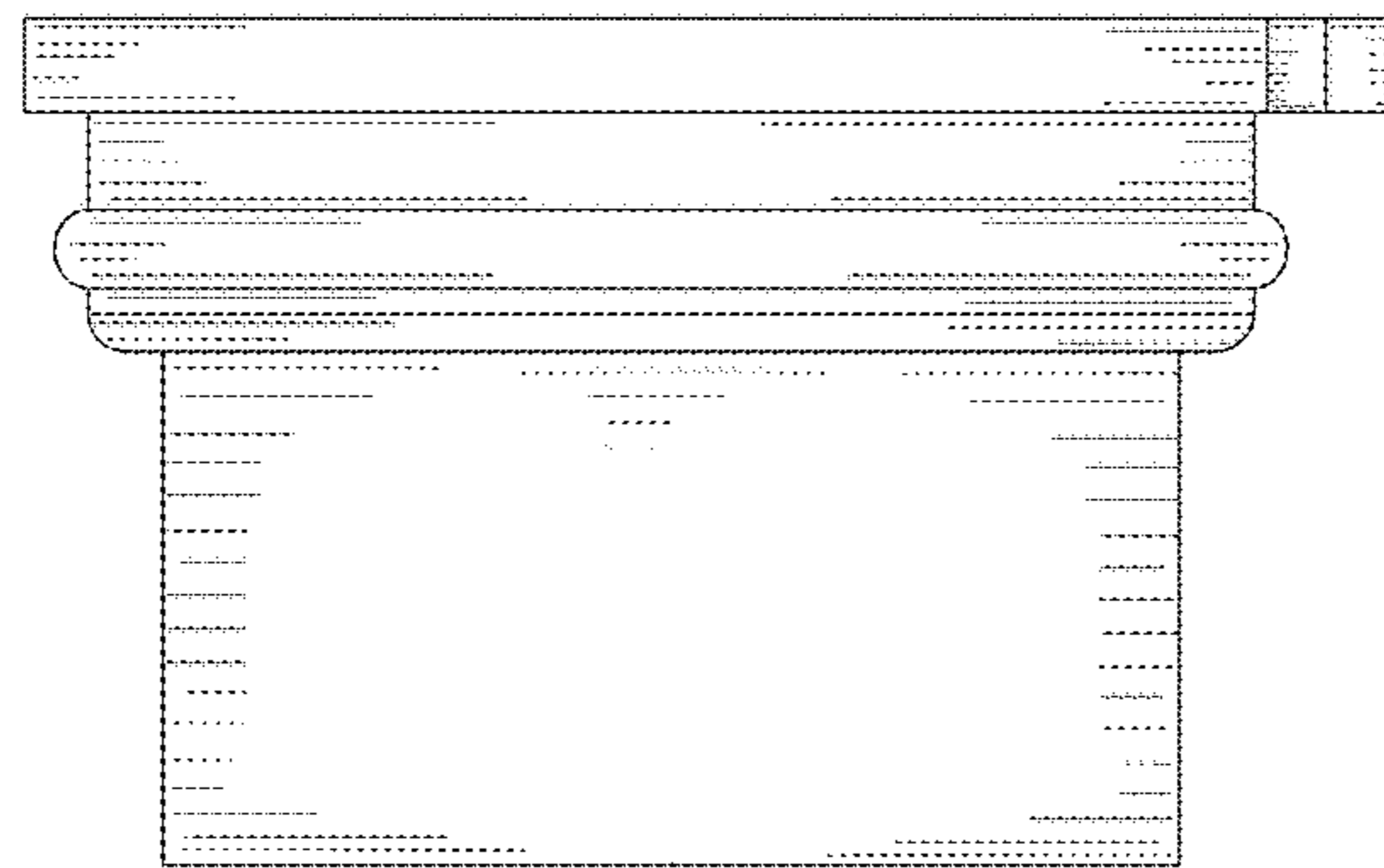


FIG. 6

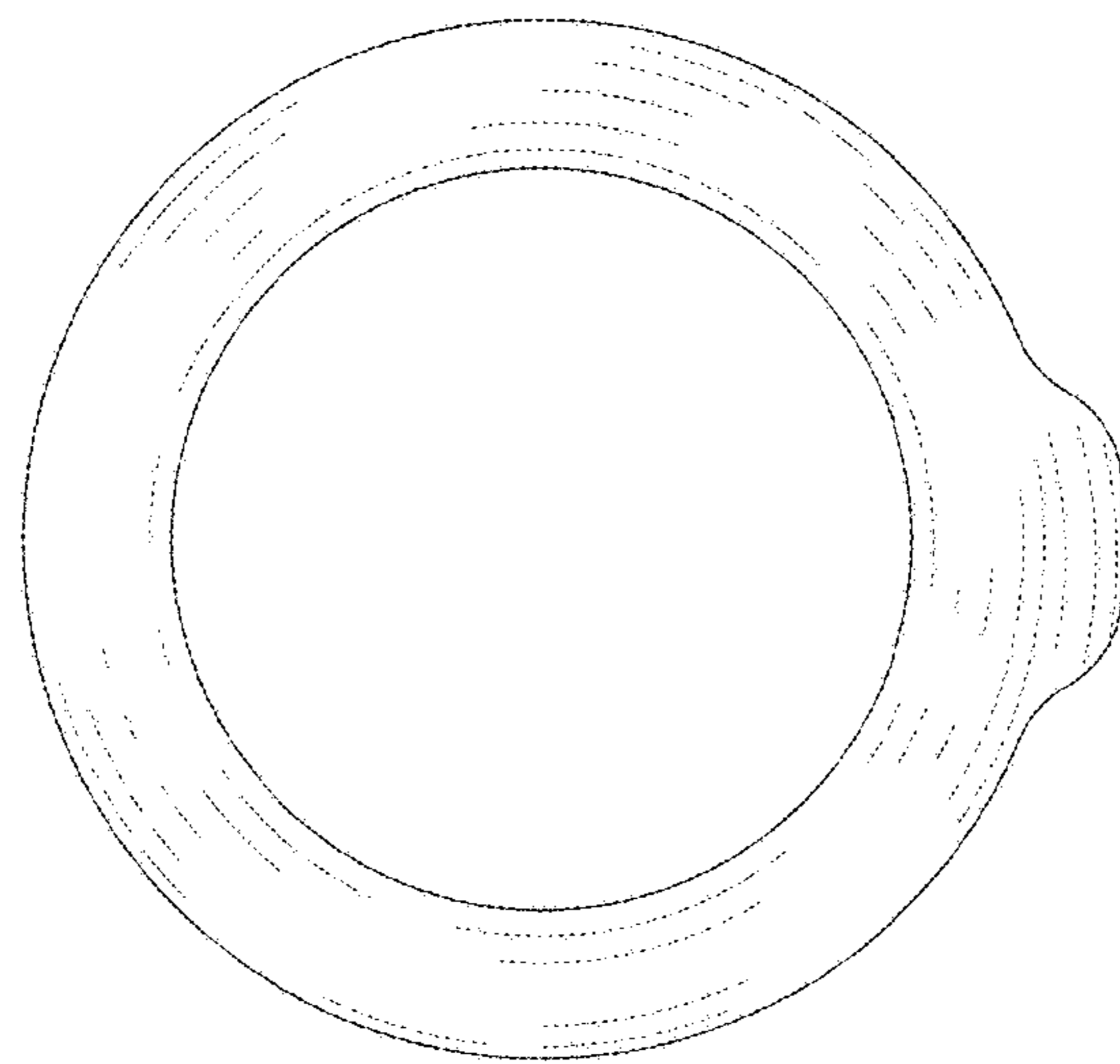


FIG. 7

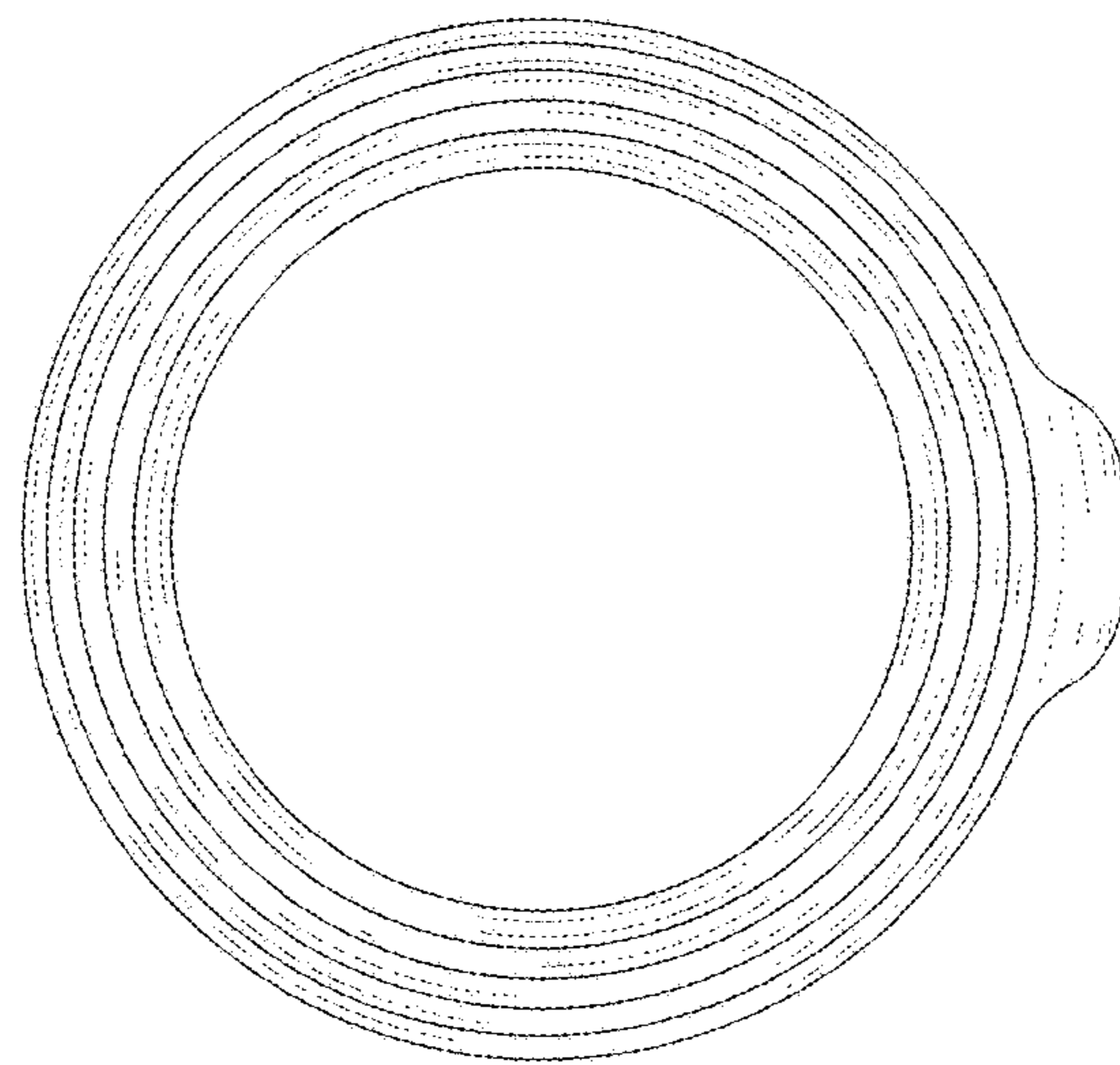


FIG. 8