



US00D838468S

(12) **United States Design Patent**
Nakamura

(10) **Patent No.:** **US D838,468 S**
(45) **Date of Patent:** **** Jan. 22, 2019**

(54) **SOCK WITH NONSLIP PARTS**

(71) Applicant: **OKAMOTO Corporation**, Nara (JP)
(72) Inventor: **Mitutoshi Nakamura**, Nara (JP)
(73) Assignee: **OKAMOTO Corporation**, Nara (JP)
(**) Term: **15 Years**

(21) Appl. No.: **29/604,030**

(22) Filed: **May 15, 2017**

(51) **LOC (11) Cl.** **02-04**

(52) **U.S. Cl.**

USPC **D2/980**

(58) **Field of Classification Search**

USPC D2/980-994; D24/192; 2/239-242;
D19/40, 5, 10, 12, 1, 2, 6; D25/113, 114,
(Continued)

(56) **References Cited**

U.S. PATENT DOCUMENTS

1,408,721 A * 3/1922 Carrel A43B 23/28
36/58.5
D102,616 S * 1/1937 Newman D5/53
(Continued)

FOREIGN PATENT DOCUMENTS

JP 3182636 U 4/2013
KR 10-2016-0072005 A 6/2016

OTHER PUBLICATIONS

Christmas Star 2004, posted at quilterschache.com, (c) 2004, online,
URL:<http://www.quilterschache.com/images42/ChristmasStar2004temp.gif> (Year: 2004).*

(Continued)

Primary Examiner — Anhdao Doan

Assistant Examiner — Mary Shannon Malley

(74) *Attorney, Agent, or Firm* — Mintz Levin Cohn Ferris
Glovsky and Popeo, P.C.; David G. Conlin; Steven M.
Jensen

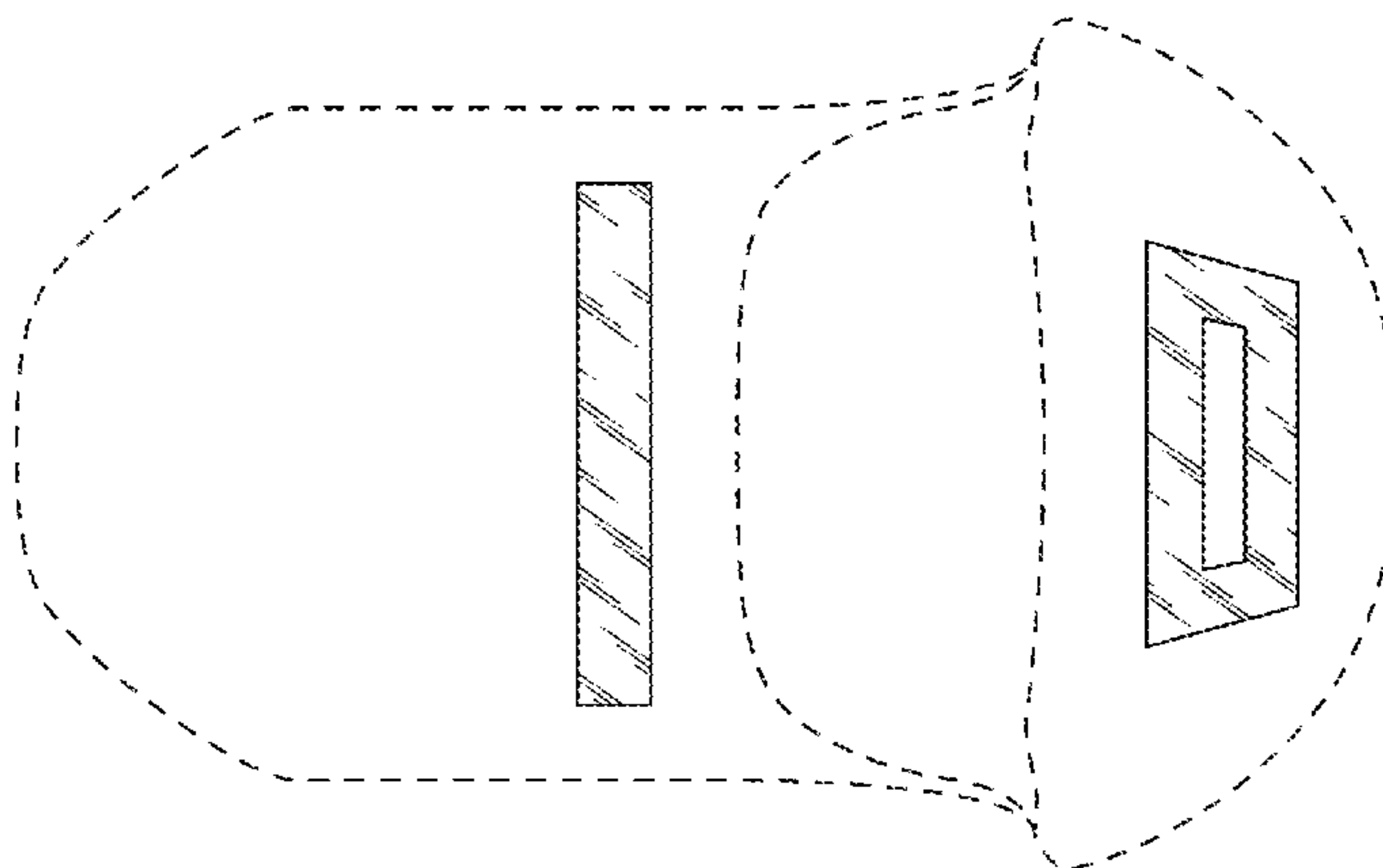
(57) **CLAIM**

The ornamental design for a sock with nonslip parts, as shown and described.

DESCRIPTION

FIG. 1 is a top plan view illustrating an interior of a sock with nonslip parts in a collapsed state in accordance with a first embodiment of my new design;
FIG. 2 is a left side elevational view thereof;
FIG. 3 is a right side elevational view thereof;
FIG. 4 is a front elevational view thereof, where a rear elevational view is identical;
FIG. 5 is a top plan view illustrating an exterior of the sock with nonslip parts in the collapsed state in accordance with the first embodiment of my new design;
FIG. 6 is a bottom plan view thereof;
FIG. 7 is a cross-sectional view along the line 7-7 in FIG. 5;
FIG. 8 is a front and left perspective view illustrating the sock with nonslip parts in a three-dimensional, erected state in accordance with the first embodiment of my new design;
FIG. 9 is a top plan view illustrating an interior of a sock with nonslip parts in a collapsed state in accordance with a second embodiment of my new design;
FIG. 10 is a left side elevational view thereof;
FIG. 11 is a right side elevational view thereof;
FIG. 12 is a front elevational view thereof, where a rear elevational view is identical;
FIG. 13 is a top plan view illustrating an exterior of the sock with nonslip parts in the collapsed state in accordance with the second embodiment of my new design;
FIG. 14 is a bottom plan view thereof;
FIG. 15 is a cross-sectional view along the line 15-15 in FIG. 13; and,
FIG. 16 is a front and left perspective view illustrating the sock with nonslip parts in a three-dimensional, erected state in accordance with the second embodiment of my new design.
The broken lines show portions of the sock with nonslip parts that form no part of the claimed design.

1 Claim, 16 Drawing Sheets



(58) **Field of Classification Search**

USPC D25/115, 118; D11/95, 184, 140, 141,
 D11/42, 164, 165, 108; D5/1, 2, 3, 4, 12,
 D5/39, 55, 58, 59, 60, 61, 63, 99;
 D7/409-411
 CPC . D04B 1/26; D04B 1/265; D04B 1/02; D04B
 1/108; D04B 1/12; D04B 1/18; D04B
 9/56; D04B 9/52; D04B 15/48; D04B
 15/50; D04B 21/18; A61F 13/08; A61F
 13/064; A61F 13/066; A61F 13/067;
 A61F 11/003; A61F 11/02; A61F 11/00;
 A41B 11/12; A41B 11/123; A41B 11/128;
 A41D 13/0587; A43B 17/14; A43B 23/28

See application file for complete search history.

(56) **References Cited**

U.S. PATENT DOCUMENTS

2,370,028 A * 2/1945 Freiberg D06C 23/00
 427/288
 D392,106 S * 3/1998 Thomas D5/53
 5,792,093 A 8/1998 Tanaka
 D405,543 S * 2/1999 Shillingburg D25/114
 D421,806 S * 3/2000 Graf D25/113
 D423,957 S * 5/2000 Johnson D10/65
 D430,409 S * 9/2000 Lewis D5/62
 D434,440 S * 11/2000 Lawton D10/64
 D643,207 S * 8/2011 Hollingsworth D2/980
 D702,447 S * 4/2014 Boyle D5/61
 D704,454 S * 5/2014 Kuehn D5/62
 D705,350 S * 5/2014 Molden D19/10
 D708,765 S * 7/2014 MacDonald D25/113
 D708,895 S * 7/2014 Hoyord D7/388
 D728,367 S * 5/2015 Lavigne D9/435
 D751,603 S * 3/2016 Park D14/490

D758,426 S * 6/2016 Park D14/489
 9,364,029 B2 6/2016 Patel
 D773,479 S * 12/2016 Trabona D14/485
 D812,892 S * 3/2018 Sudit D2/980
 D816,097 S * 4/2018 Shivaji-Rao D14/485
 2006/0260024 A1 * 11/2006 Lee A41B 11/128
 2/239
 2008/0295216 A1 12/2008 Nordstrom et al.
 2008/0301860 A1 * 12/2008 Iqbal A41D 13/0562
 2/455
 2011/0111673 A1 5/2011 Soeda
 2012/0058316 A1 3/2012 Cherneski
 2013/0145521 A1 6/2013 Spicuzza et al.
 2014/0115749 A1 5/2014 Weinman
 2014/0223630 A1 8/2014 Johnson
 2014/0250568 A1 9/2014 MacDonald et al.
 2015/0052663 A1 2/2015 Stallworth
 2016/0029704 A1 2/2016 Jung et al.
 2016/0081836 A1 3/2016 Sawle et al.
 2016/0206462 A1 7/2016 Iida
 2016/0219941 A1 8/2016 Hara et al.

OTHER PUBLICATIONS

Spellbinders Die D-Lites Trapezoid Dance Etched/Wafer Thin Dies,
 posted at amazon.com, no posting date given, online, URL: <https://www.amazon.com/Spellbinders-D-Lites-Trapezoid-Dance-Etched/dp/B072L62RBQ> (Year: 2018).*

Quadrilateral cards, posted at bookmarkurl.info, no posting date,
 online, URL: <http://bookmarkurl.info/images/rectangle-rhombus-square-worksheet/rectangle-rhombus-square-worksheet-10.jpg> (Year: 2018).*

Montessori Elementary Materials (pp. 115-125), posted at hel-
 lenicaworld.com, (c) 1917, online, URL: http://www.hellenicaworld.com/LX/Literature/MariaMontessori/en/ElennentaryMaterials.html#Page_289 (Year: 1917).*

* cited by examiner

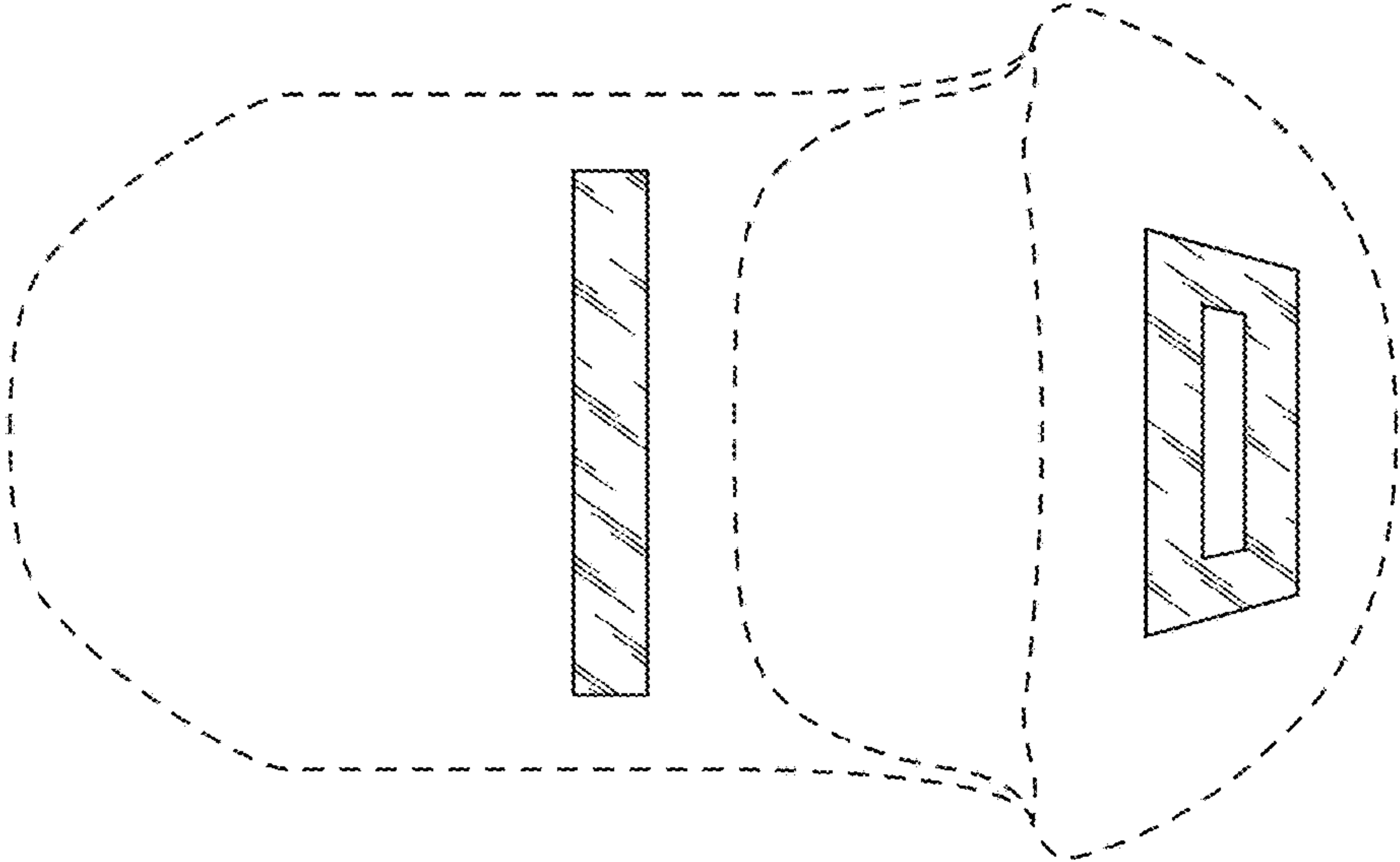


FIG. 1



FIG. 2



FIG. 3



FIG. 4

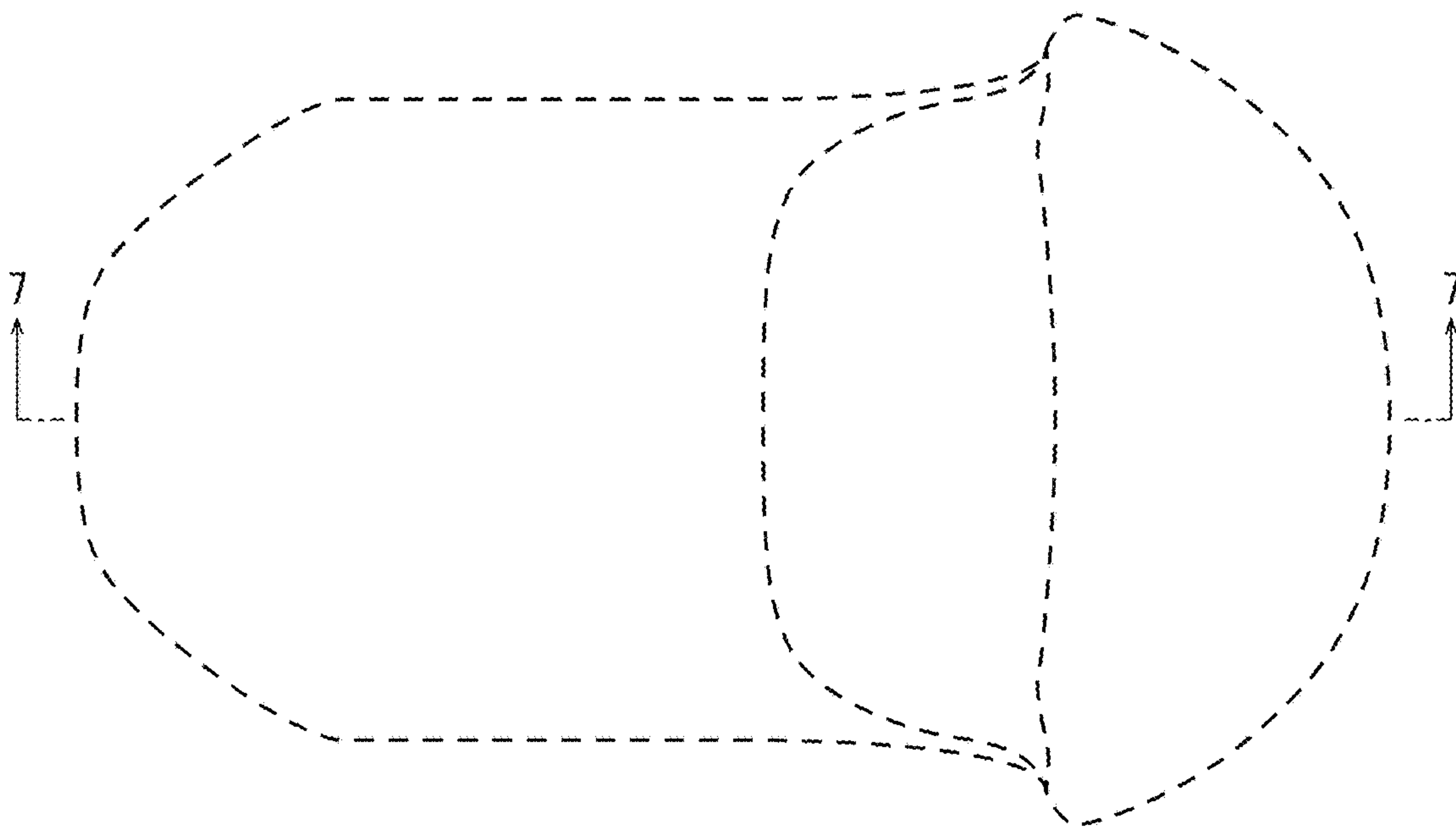


FIG. 5

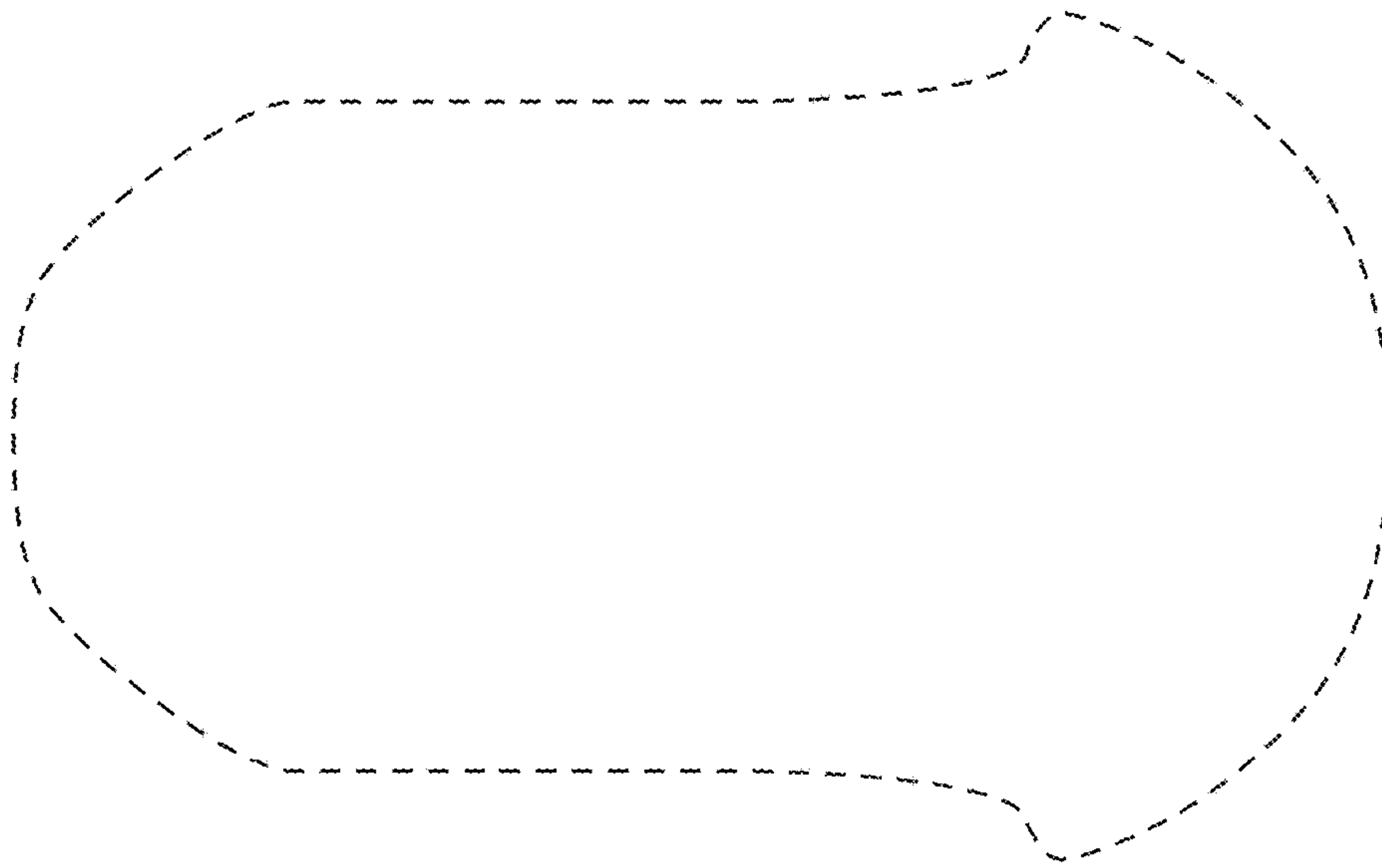


FIG. 6

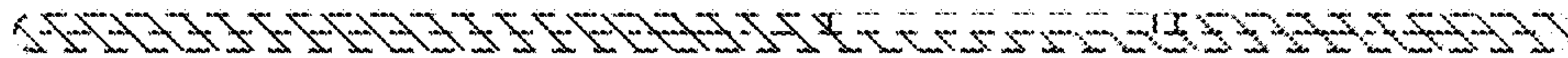


FIG. 7

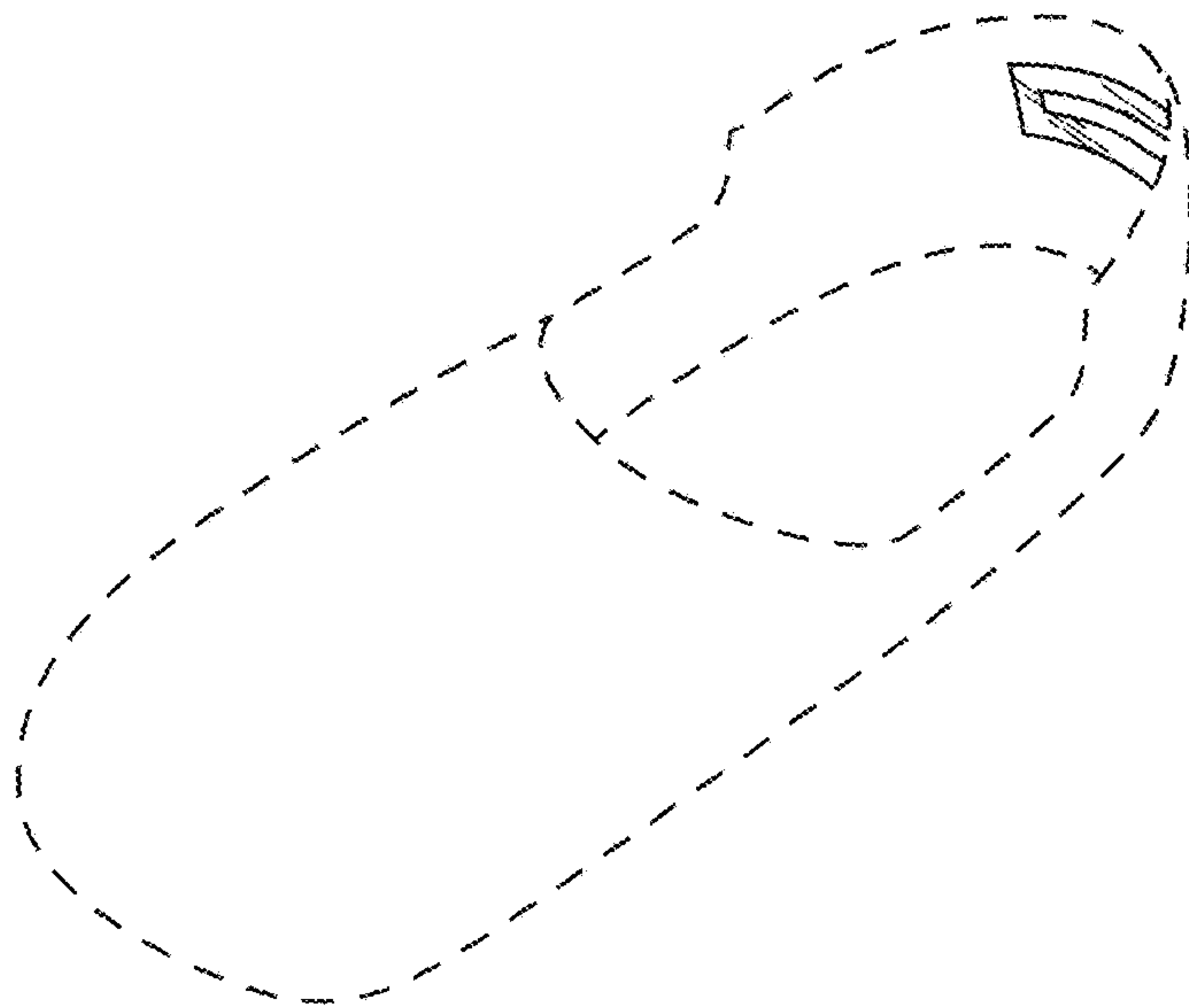


FIG. 8

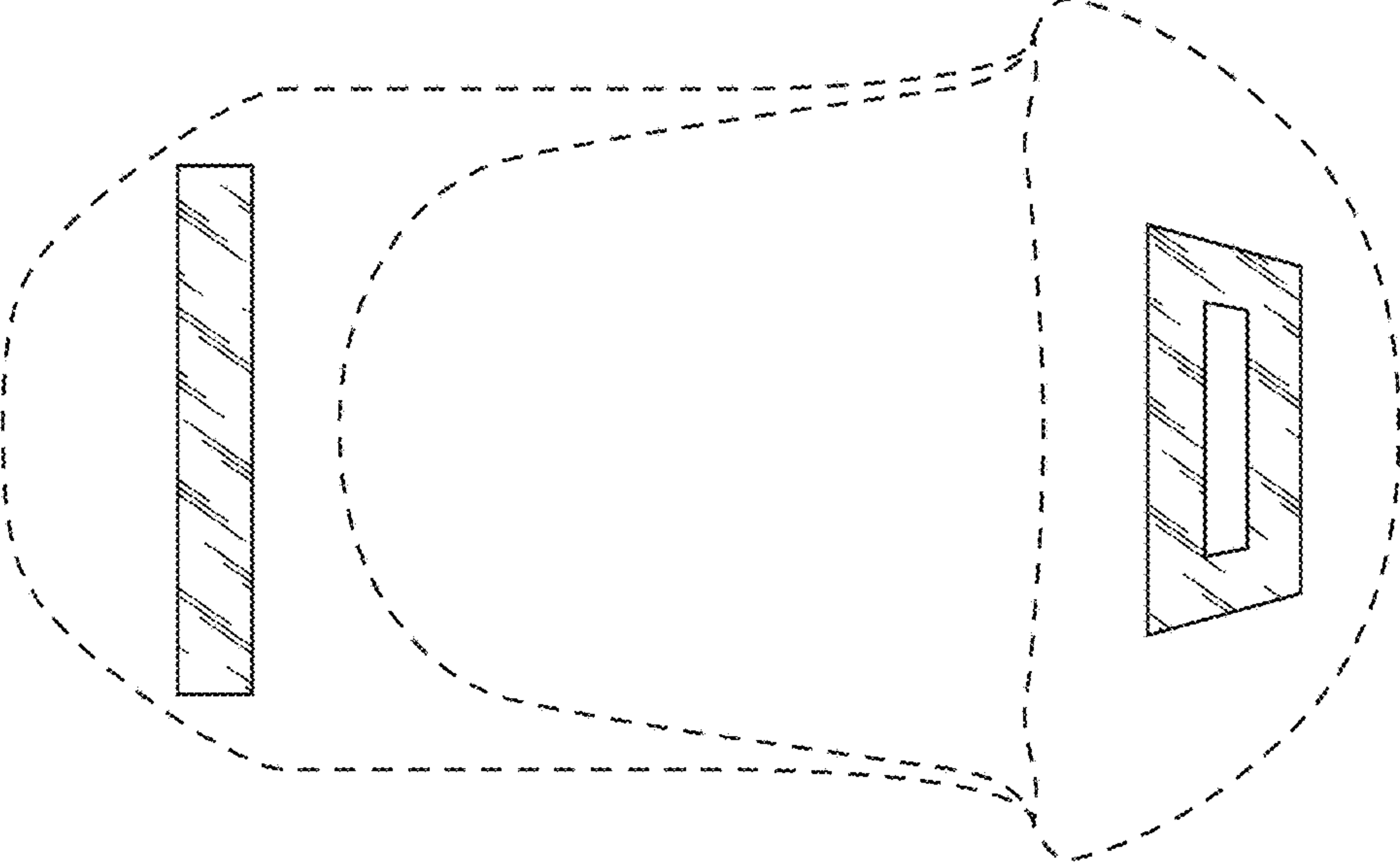


FIG. 9

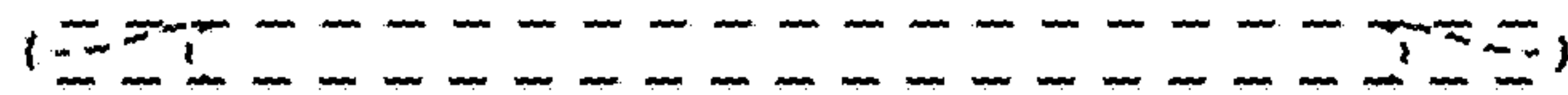


FIG. 10

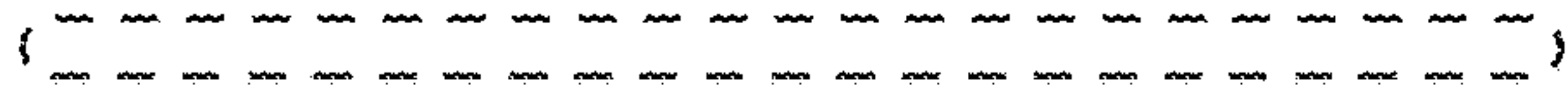


FIG. 11

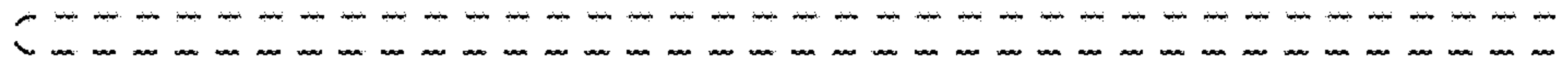


FIG. 12

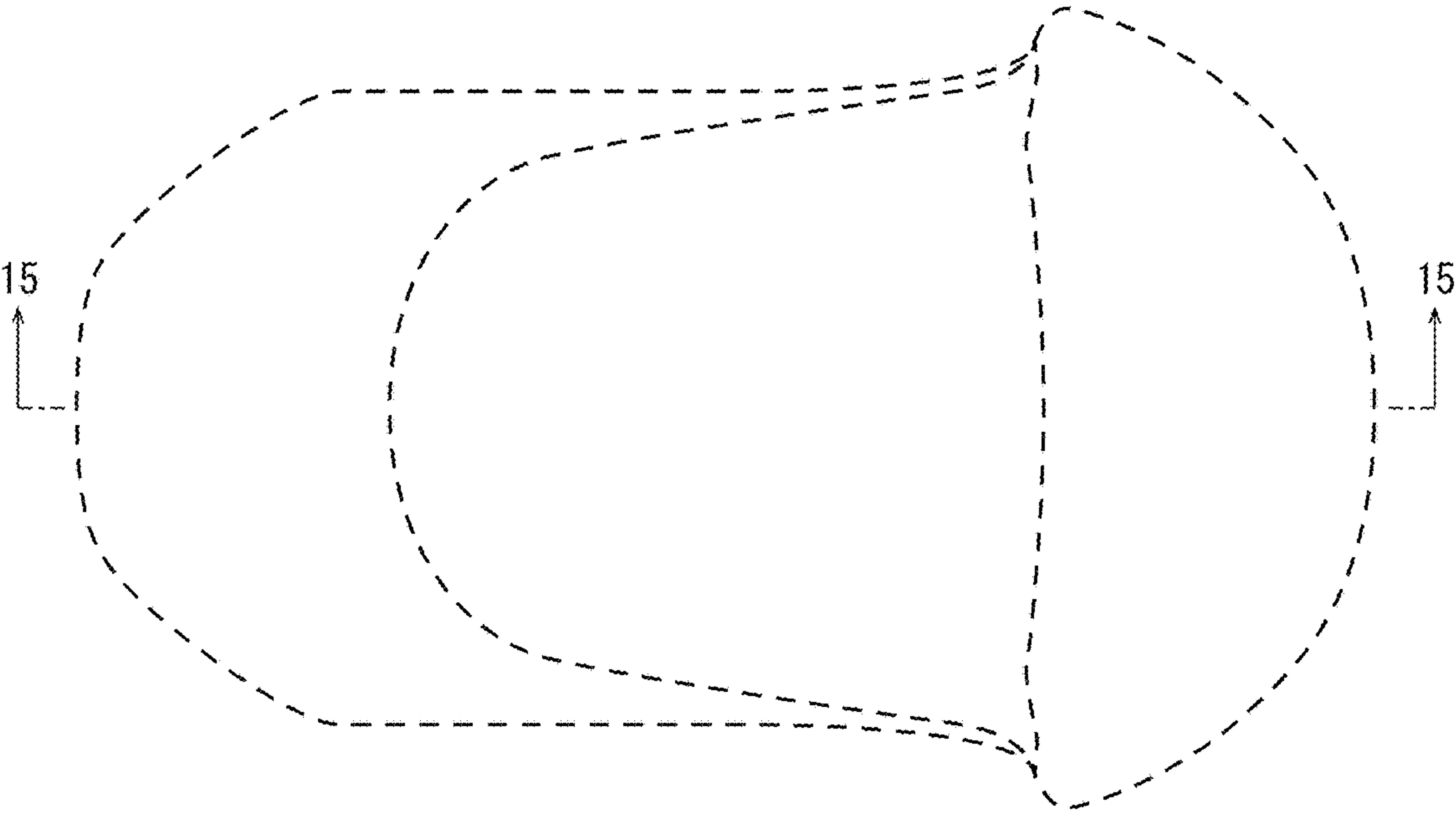


FIG. 13

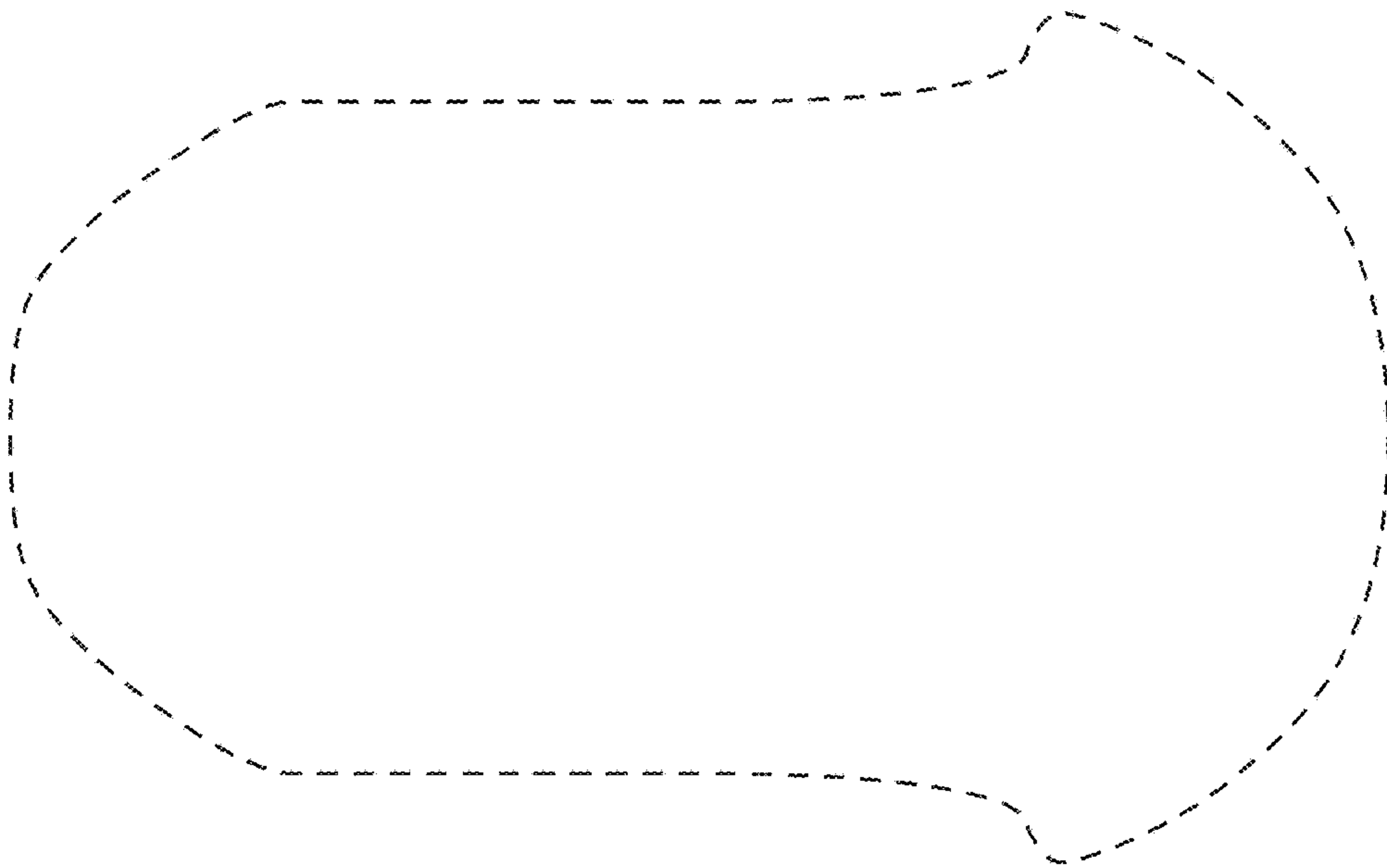


FIG. 14



FIG. 15

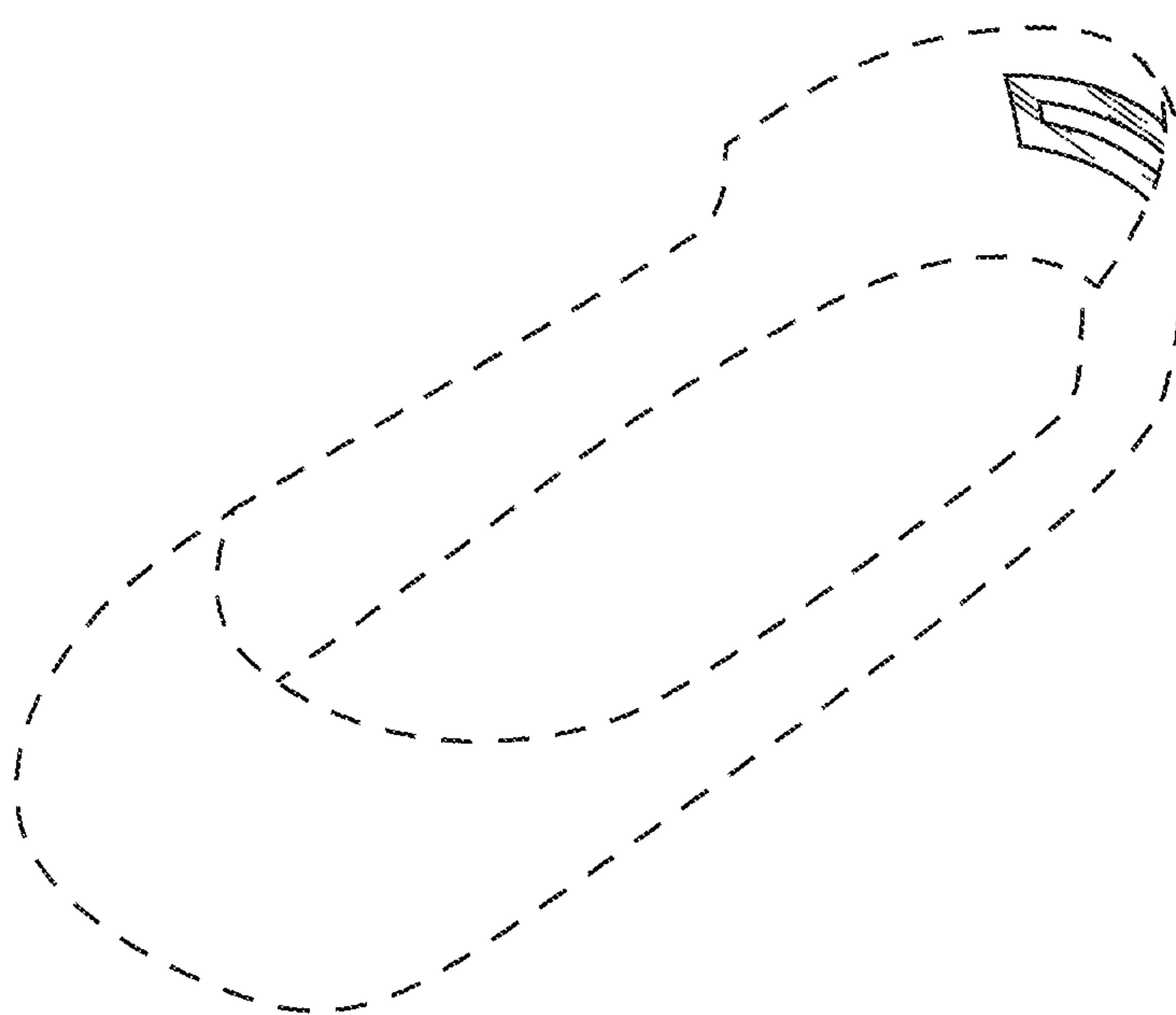


FIG. 16