



US00D838465S

(12) **United States Design Patent** (10) **Patent No.:** **US D838,465 S**
Prochmann (45) **Date of Patent:** **** Jan. 22, 2019**

(54) **SHOE UPPER**

(71) Applicant: **Dynasty Footwear, Ltd.**, El Segundo, California, CA (US)

(72) Inventor: **Jose Prochmann**, Los Angeles, CA (US)

(73) Assignee: **Dynasty Footwear, Ltd.**, El Segundo, CA (US)

(**) Term: **15 Years**

(21) Appl. No.: **29/630,829**

(22) Filed: **Dec. 22, 2017**

Related U.S. Application Data

(62) Division of application No. 29/528,491, filed on May 29, 2015, now Pat. No. Des. 809,771.

(51) **LOC (11) Cl.** **02-04**

(52) **U.S. Cl.**
USPC **D2/976**

(58) **Field of Classification Search**
USPC D6/601, 607, 610, 611; D11/200–237, D11/77, 97; D2/896–900, 909–912, 946, D2/969–972, 976

(Continued)

(56) **References Cited**

U.S. PATENT DOCUMENTS

387,119 A * 7/1888 Stevens A43B 7/20 36/89

895,522 A 8/1908 Weil
(Continued)

OTHER PUBLICATIONS

Prosecution history of parent U.S. Appl. No. 29/528,491.

Primary Examiner — Rashida C. Walshon

(74) *Attorney, Agent, or Firm* — Joseph G. Swan, P.C.

(57) **CLAIM**

The ornamental design for a shoe upper, as shown and described.

DESCRIPTION

FIG. 1 is a side elevational view of a shoe upper according to the present invention, within a first environment of use. FIG. 2 is a perspective view thereof.

FIG. 3 is a side elevational view of the shoe upper within a second environment of use.

FIG. 4 is a perspective view thereof.

FIG. 5 is a side elevational view of the shoe upper within a third environment of use.

FIG. 6 is a perspective view thereof.

FIG. 7 is a side elevational view of the shoe upper within a fourth environment of use.

FIG. 8 is a perspective view thereof.

FIG. 9 is a side elevational view of the shoe upper within a fifth environment of use.

FIG. 10 is a perspective view thereof.

FIG. 11 is a side elevational view of the shoe upper within a sixth environment of use.

FIG. 12 is a perspective view thereof.

FIG. 13 is a side elevational view of the shoe upper within a seventh environment of use.

FIG. 14 is a perspective view thereof.

FIG. 15 is a side elevational view of the shoe upper within an eighth environment of use.

FIG. 16 is a perspective view thereof

FIG. 17 is a side elevational view of the shoe upper within a ninth environment of use.

FIG. 18 is a perspective view thereof.

FIG. 19 is a side elevational view of the shoe upper within a tenth environment of use.

FIG. 20 is a perspective view thereof.

FIG. 21 is a side elevational view of the shoe upper within an eleventh environment of use.

FIG. 22 is a perspective view thereof.

FIG. 23 is a side elevational view of the shoe upper within a twelfth environment of use.

FIG. 24 is a perspective view thereof.

(Continued)



FIG. 25 is a side elevational view of the shoe upper within a thirteenth environment of use; and, FIG. 26 is a perspective view thereof. The broken lines in the drawings represent environment that form no part of the claim.

1 Claim, 26 Drawing Sheets

(58) **Field of Classification Search**

CPC A44B 1/14; A43B 3/0078; A43B 23/24;
A43B 7/20; A43B 3/08
See application file for complete search history.

(56) **References Cited**

U.S. PATENT DOCUMENTS

1,640,665 A * 8/1927 Muscente A43B 3/0078
2/245
D84,116 S 3/1931 Smith
D103,602 S * 3/1937 Spalsbury A43B 7/20
D2/976

D206,146 S 11/1966 Hendershot
D283,990 S 5/1986 Davidson
D351,934 S 11/1994 Devoe
D394,140 S * 5/1998 Loverin D2/946
D394,822 S 6/1998 Swenson et al.
D460,857 S 7/2002 Milroy
D535,810 S 1/2007 Simpson et al.
D547,034 S * 7/2007 Choi D2/946
D573,329 S 7/2008 Loverin
D578,163 S * 10/2008 Chou D19/99
D583,873 S * 12/2008 Sijmons A43B 3/0078
D20/28
D591,037 S 4/2009 Ghee
D644,150 S * 8/2011 Edick D12/162
D648,927 S 11/2011 Wolff
D649,340 S 11/2011 Plekker et al.
D677,045 S 3/2013 Voskuil
D730,637 S 6/2015 Maddocks
D743,160 S * 11/2015 Wise D2/976
D744,226 S * 12/2015 Wise D2/976
D746,039 S 12/2015 Kolumber
D781,178 S 3/2017 Harpole

* cited by examiner

FIG. 1



FIG. 2

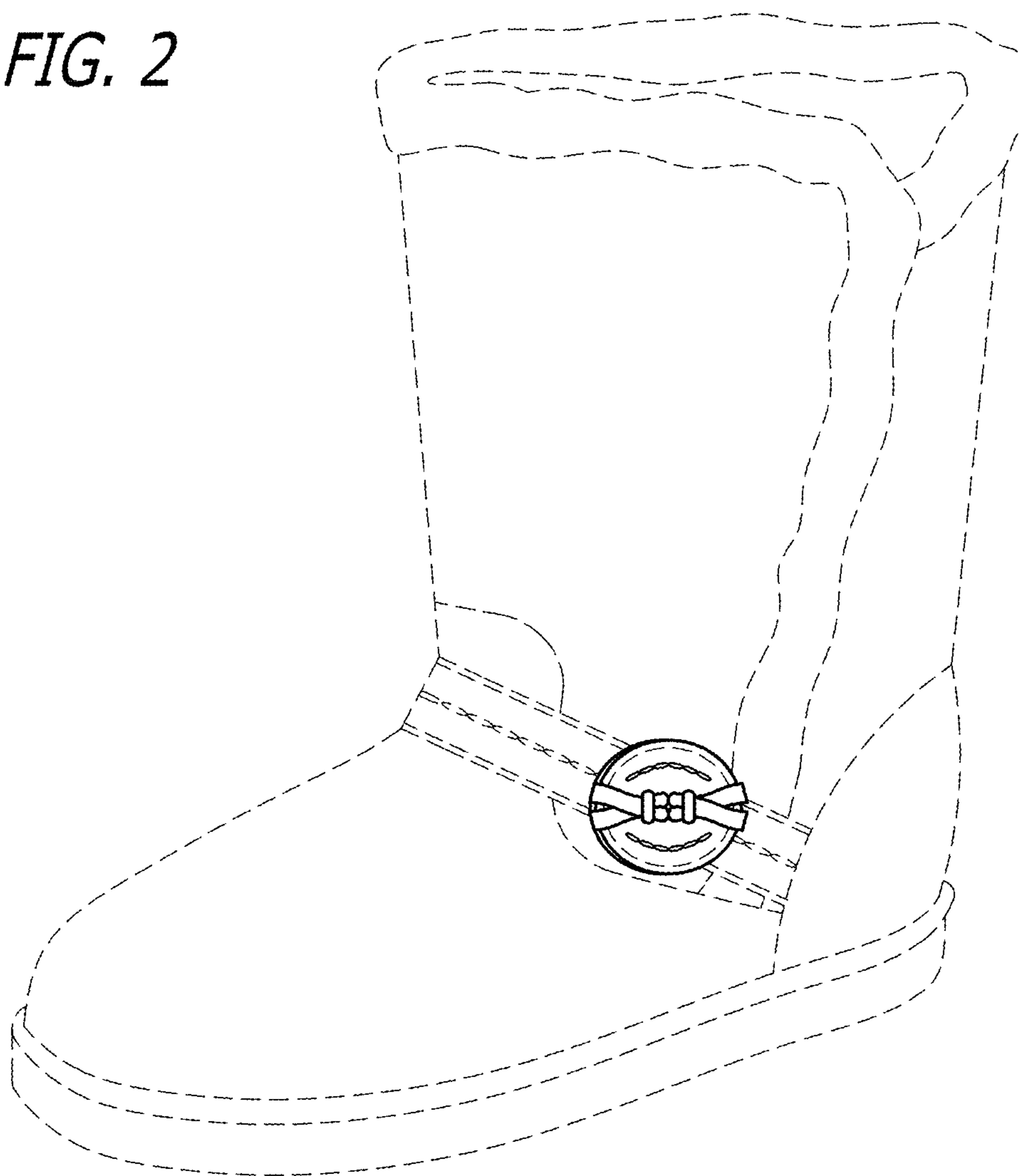


FIG. 3

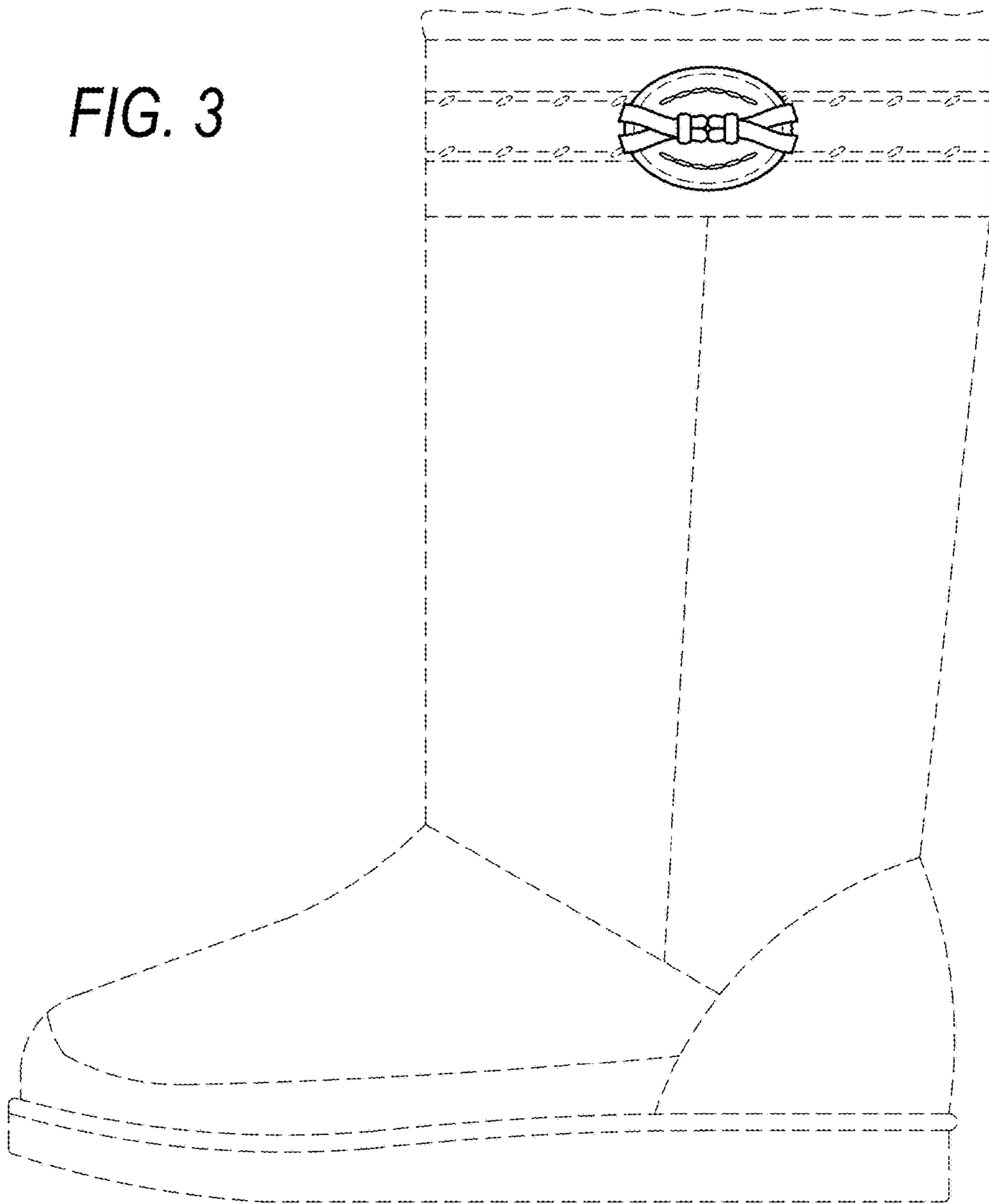


FIG. 4



FIG. 5

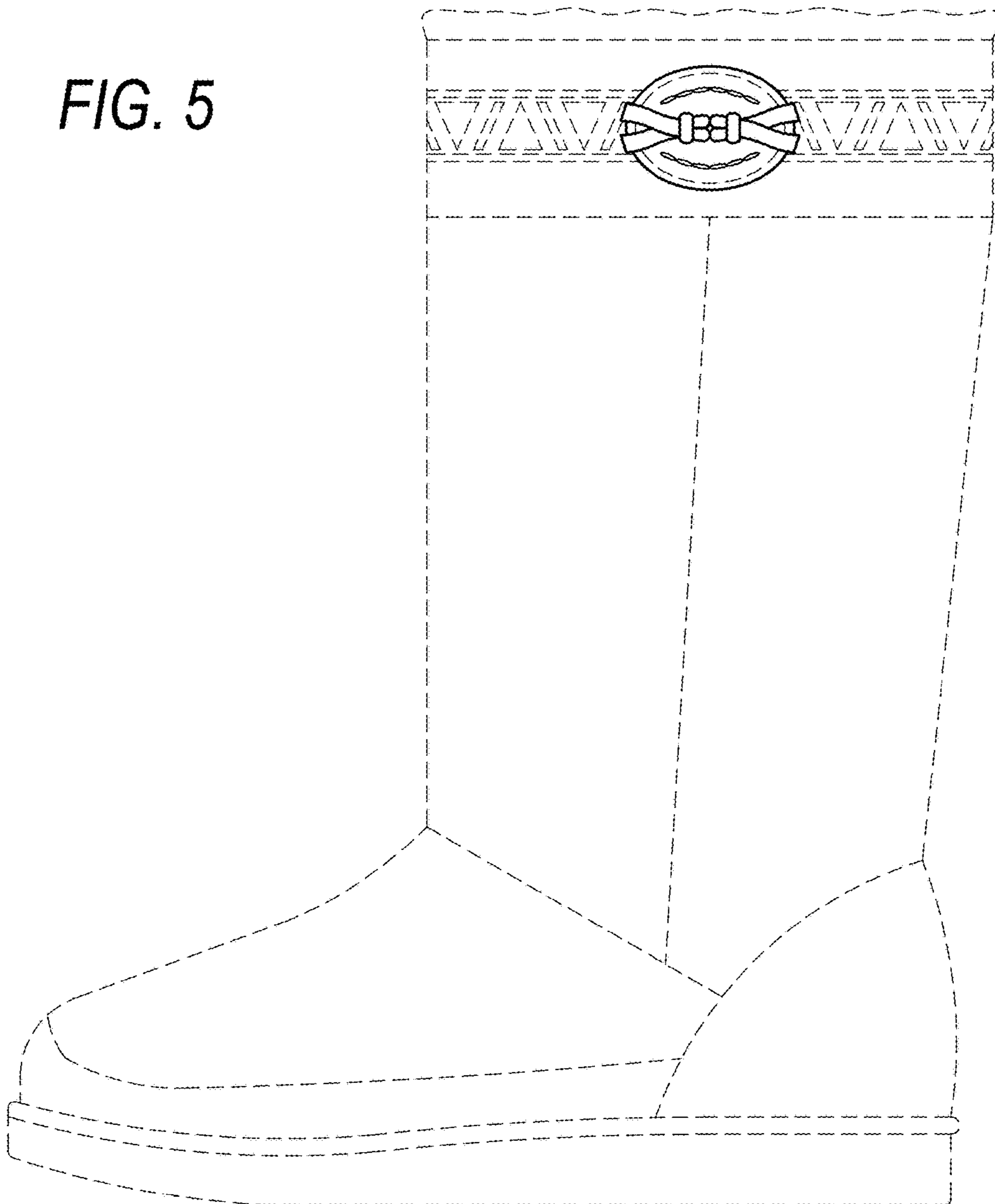


FIG. 6



FIG. 7

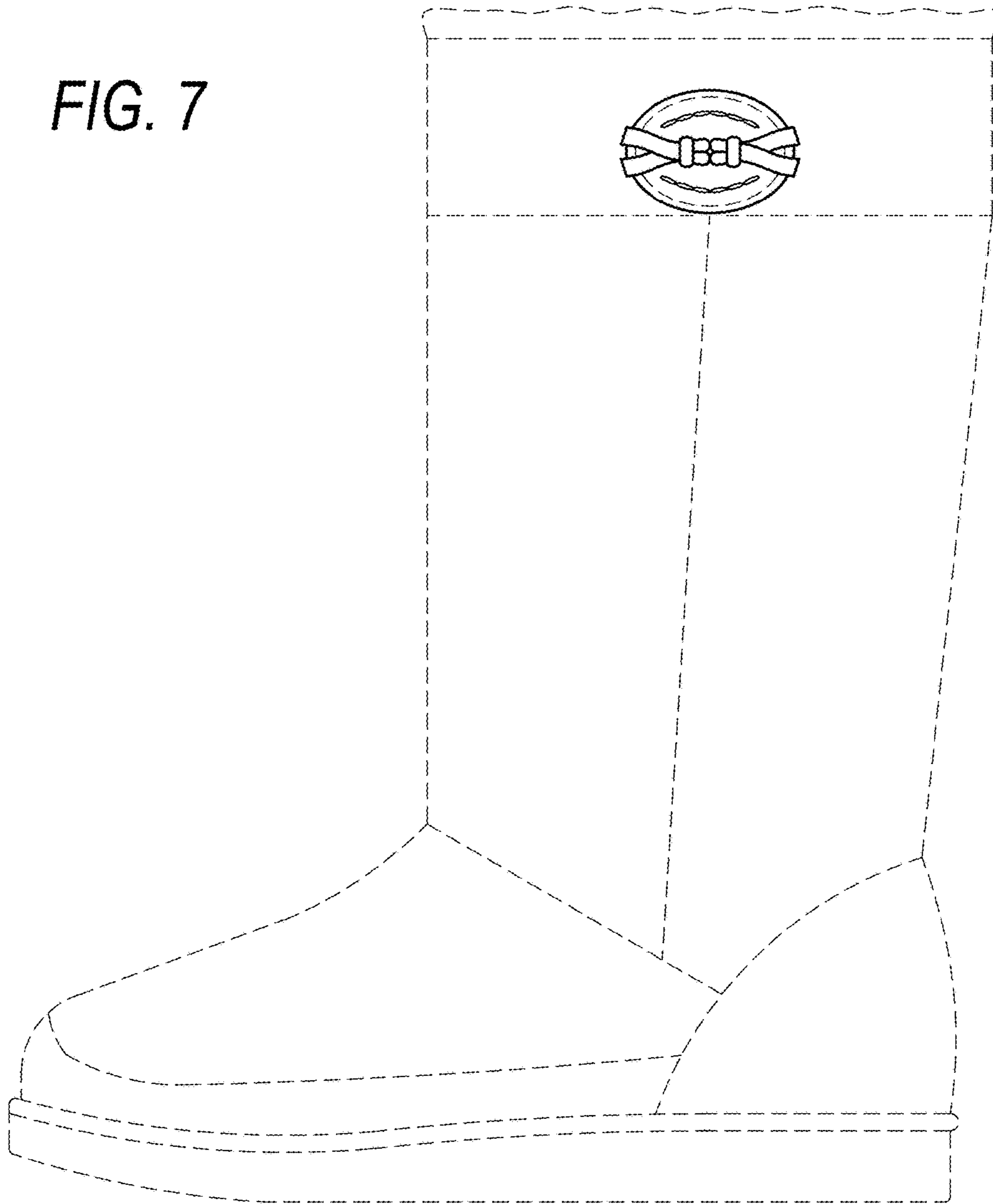


FIG. 8



FIG. 9

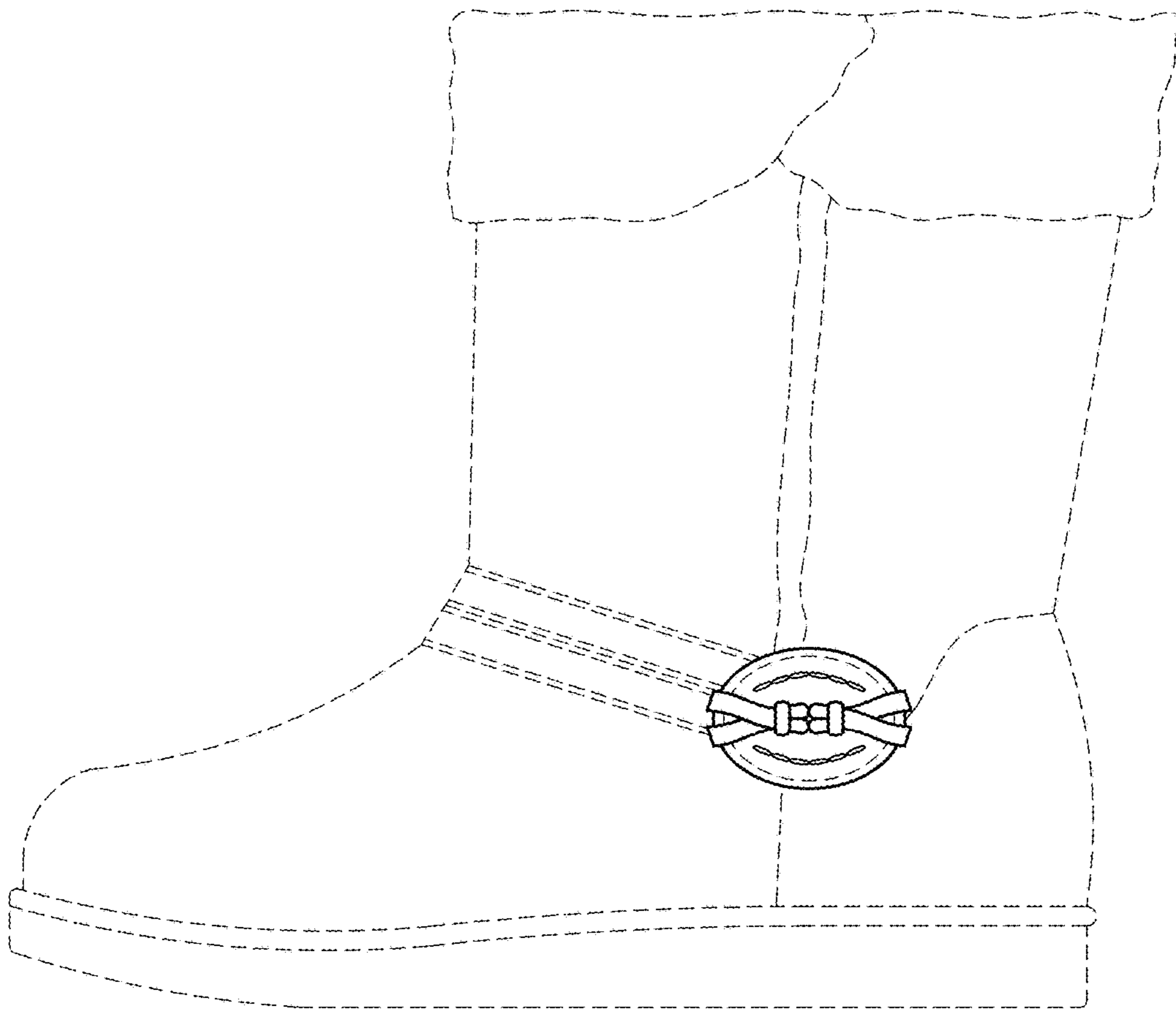


FIG. 10

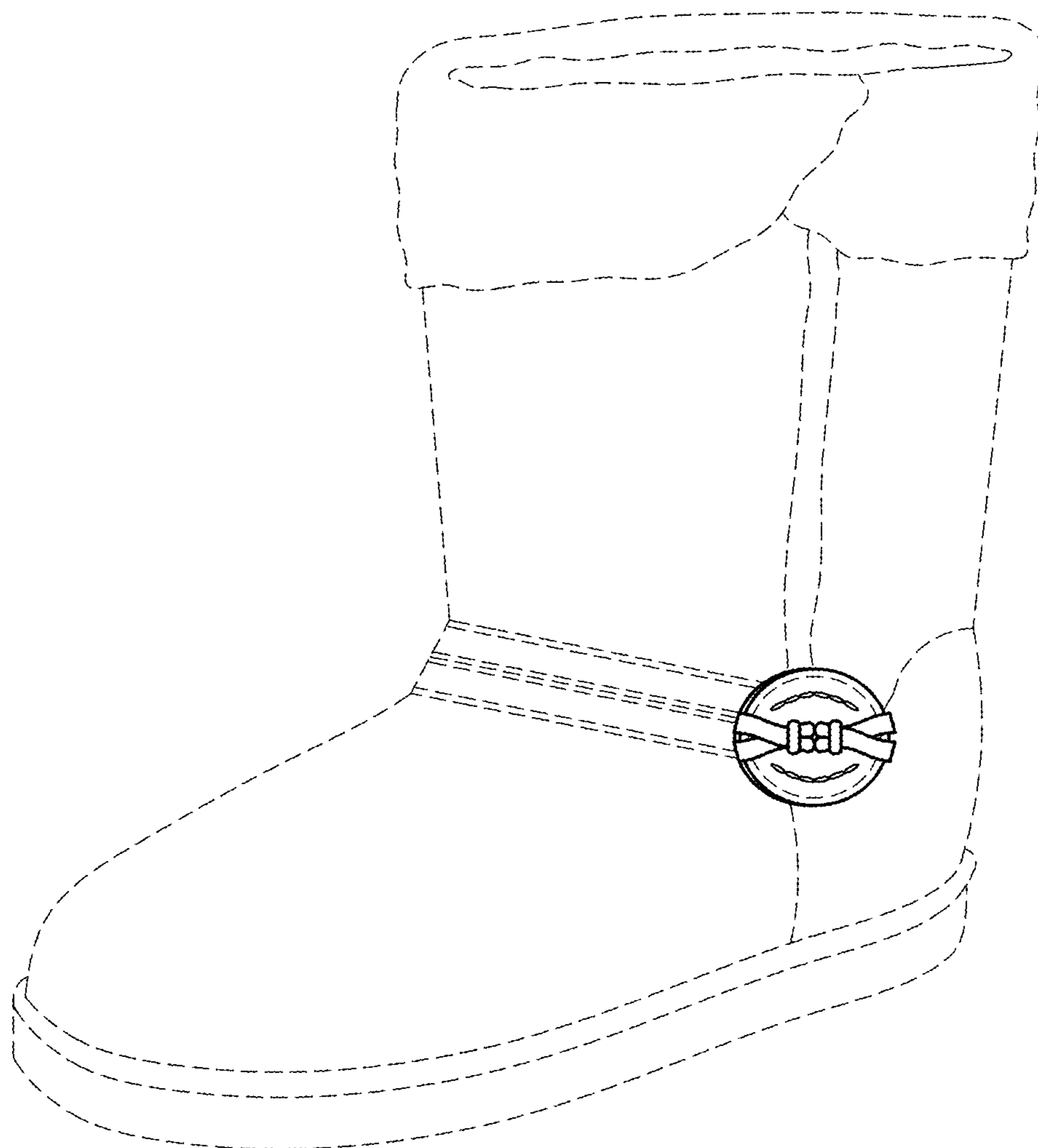


FIG. 11



FIG. 12

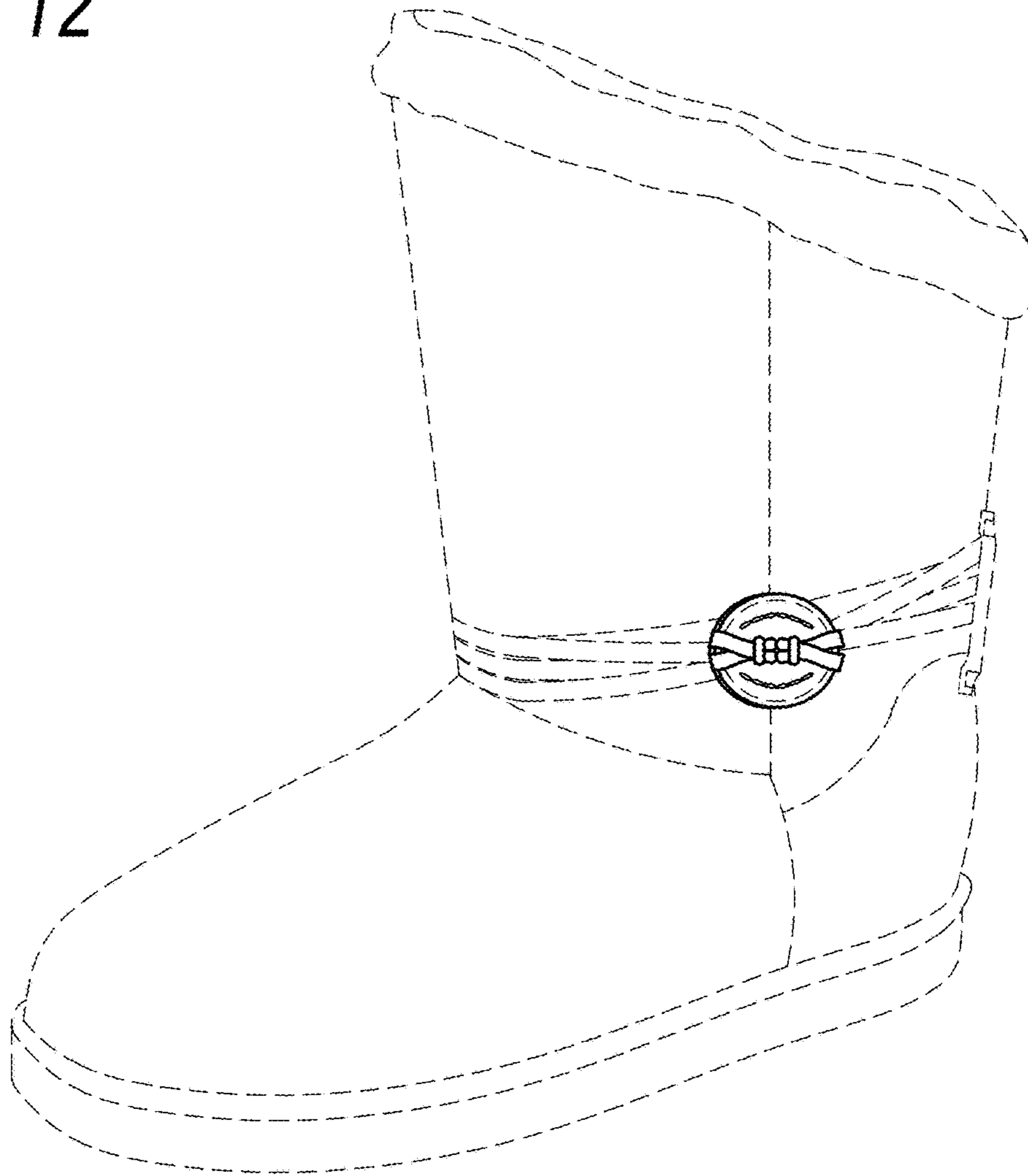


FIG. 13

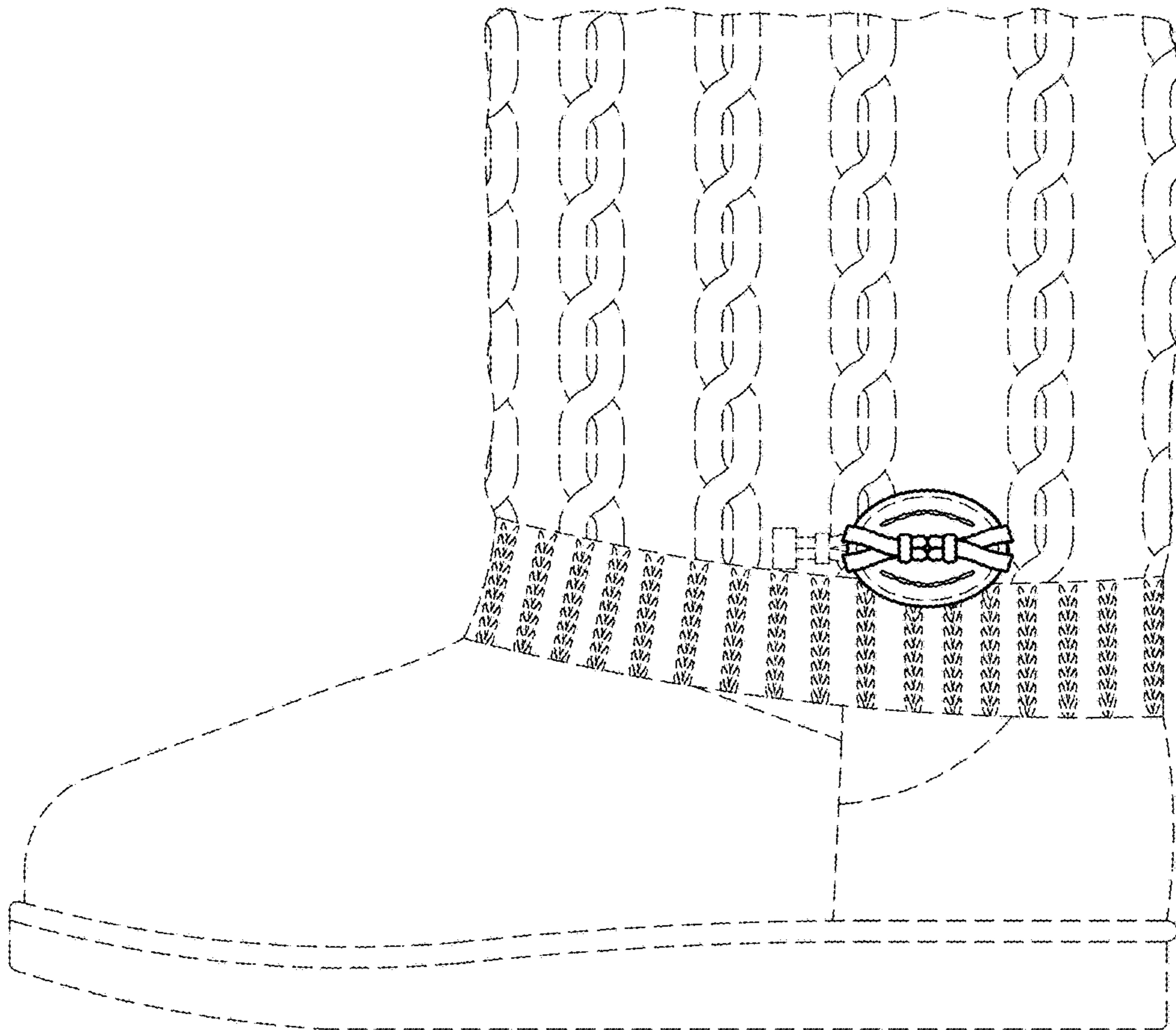


FIG. 14



FIG. 15

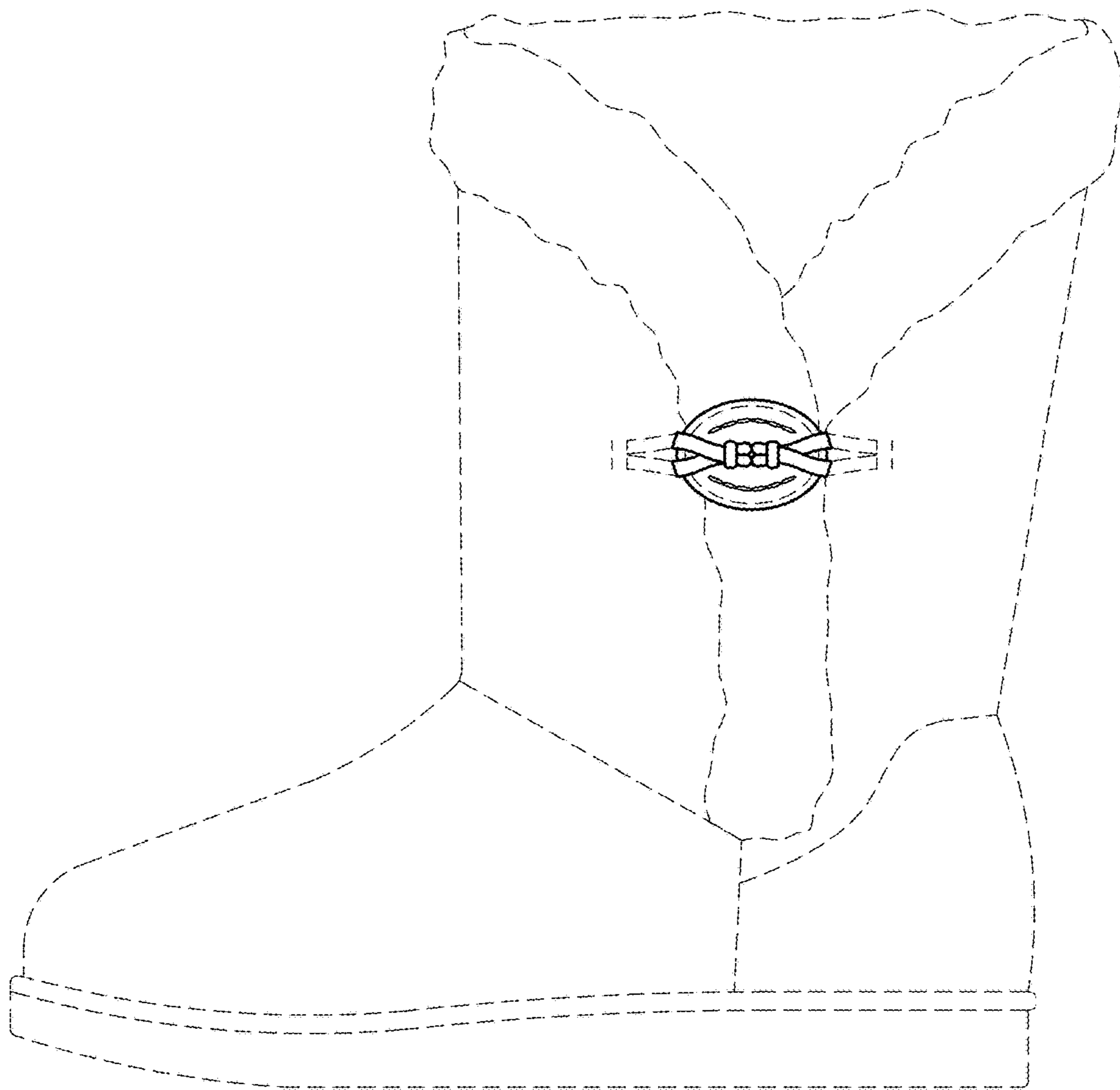


FIG. 16



FIG. 17



FIG. 18



FIG. 19

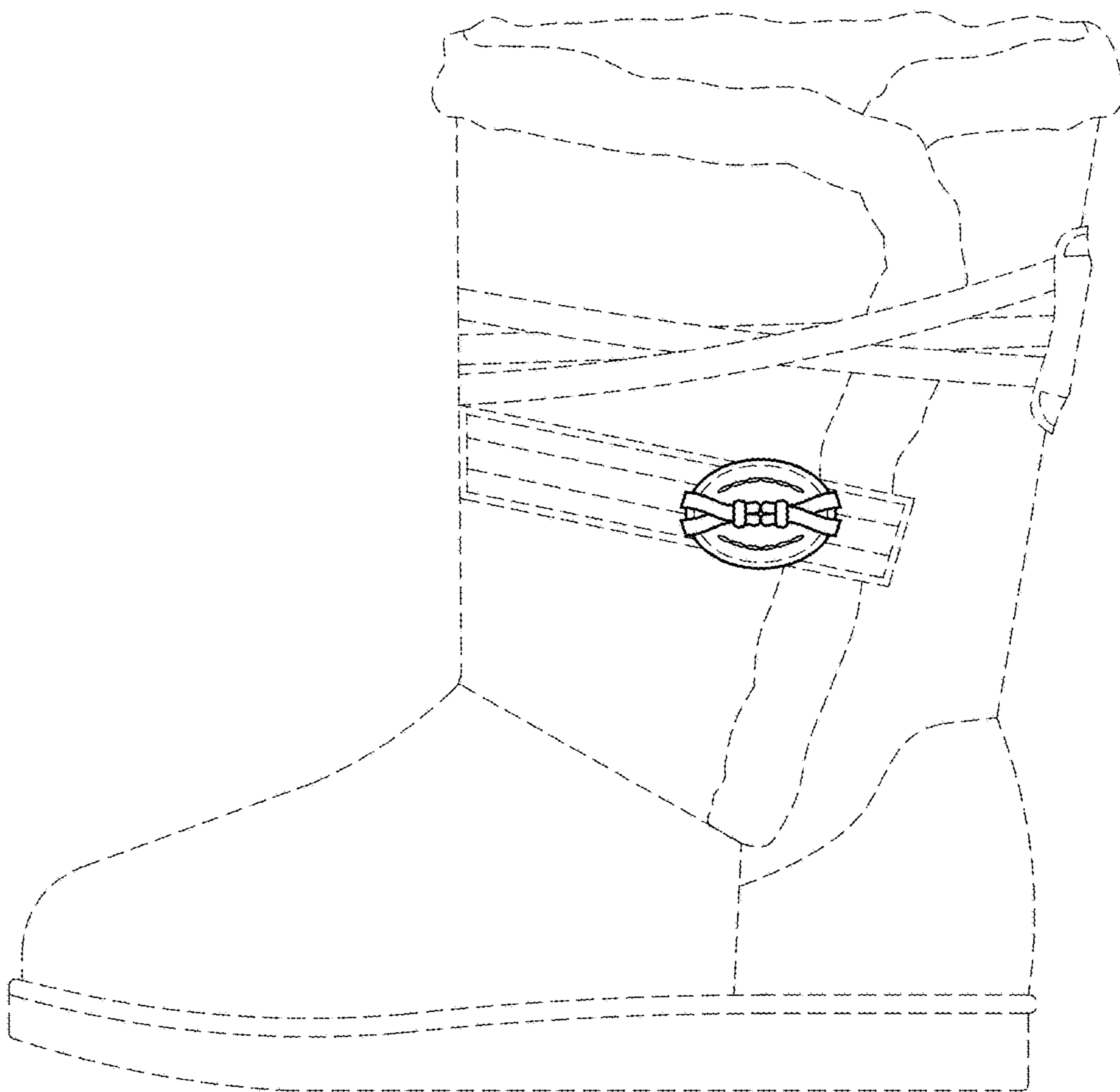


FIG. 20



FIG. 21

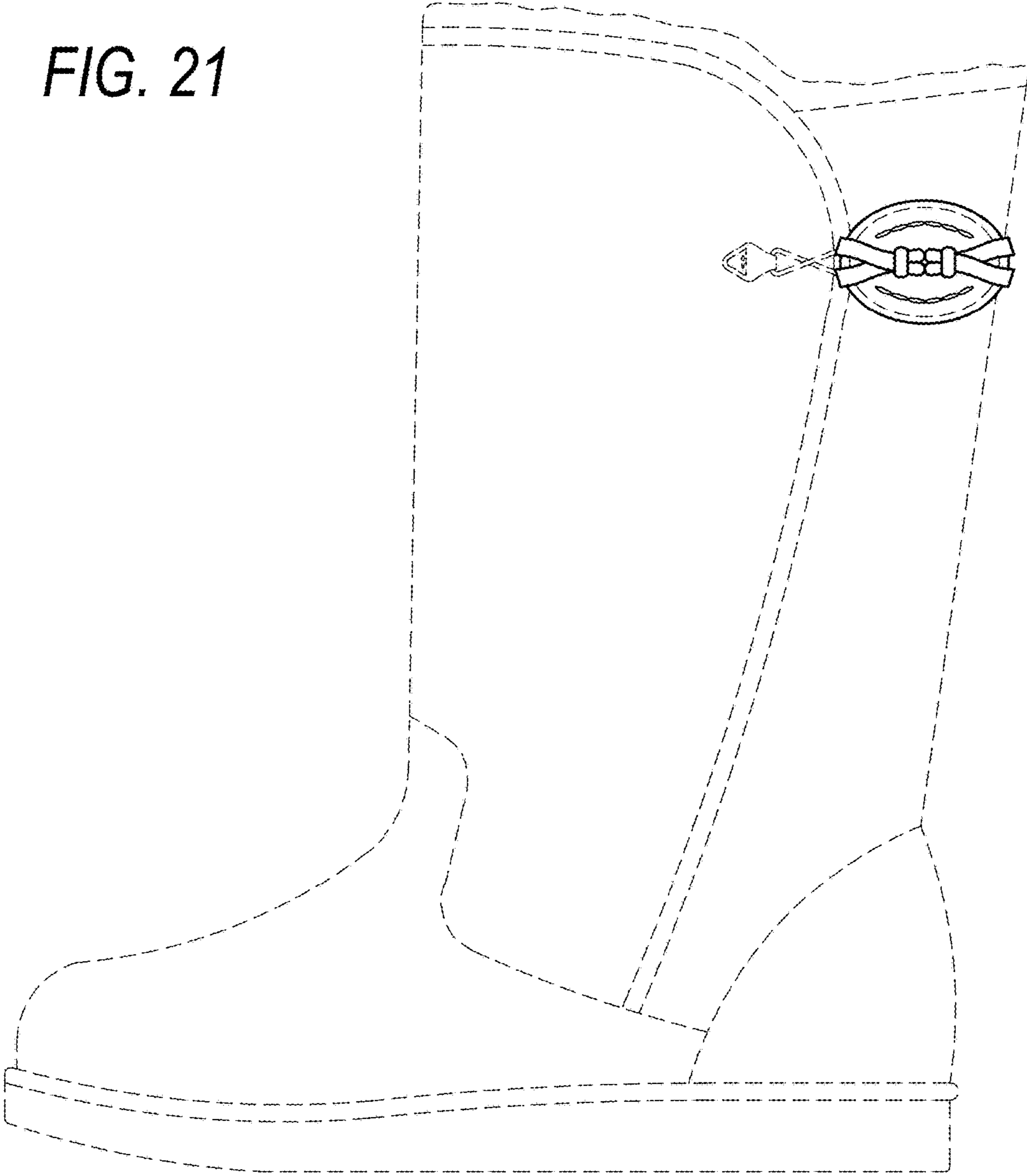


FIG. 22

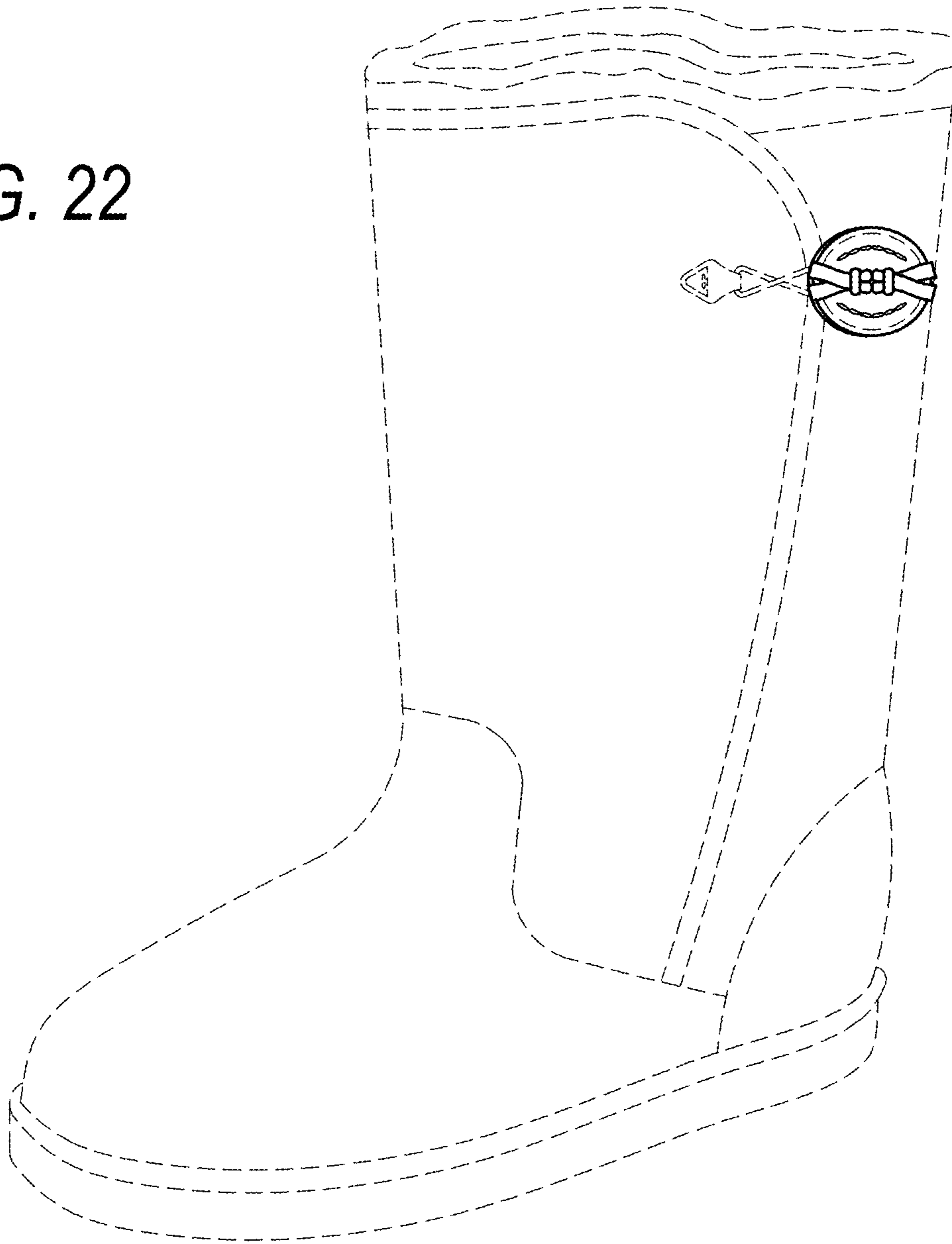


FIG. 23

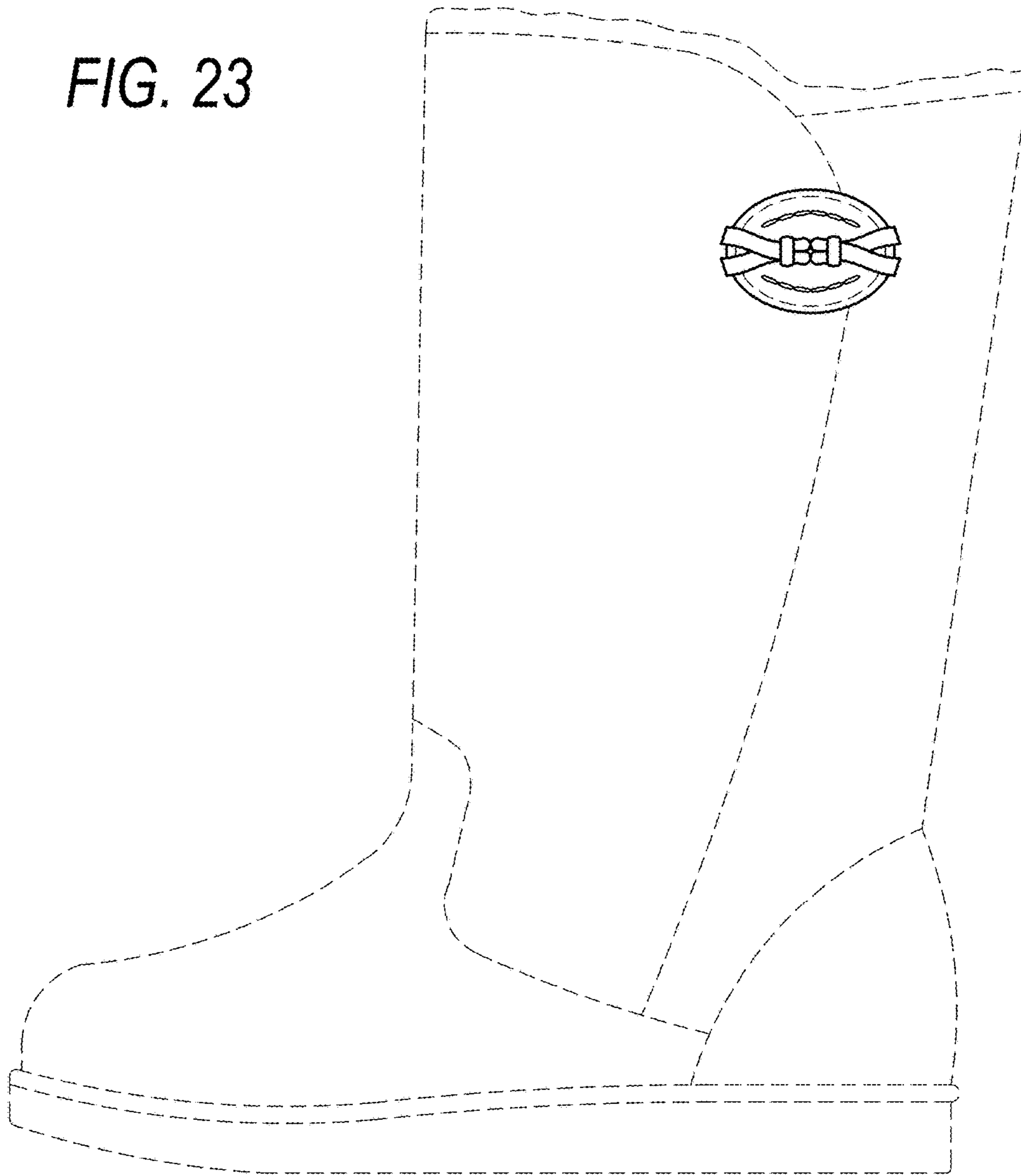


FIG. 24

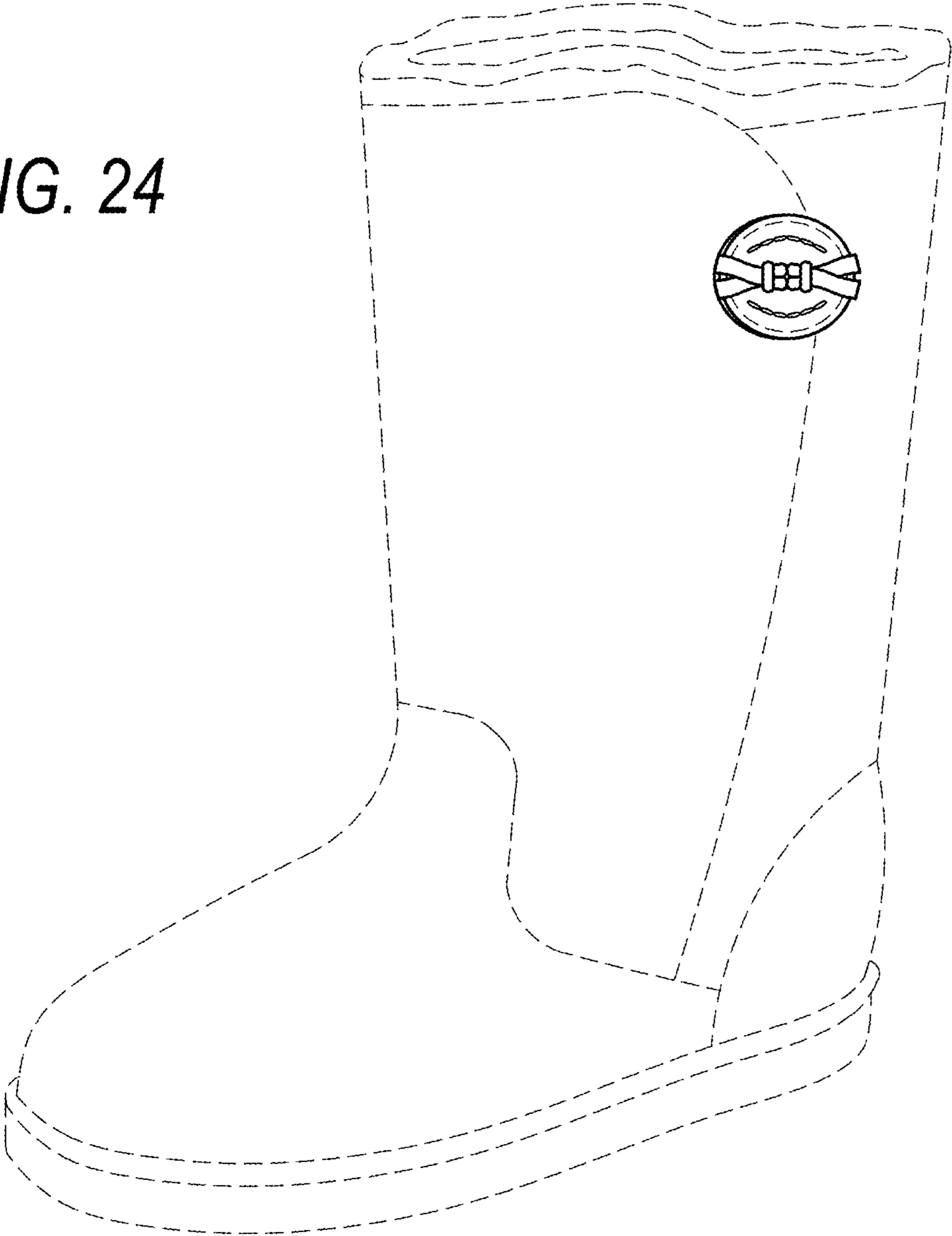


FIG. 25

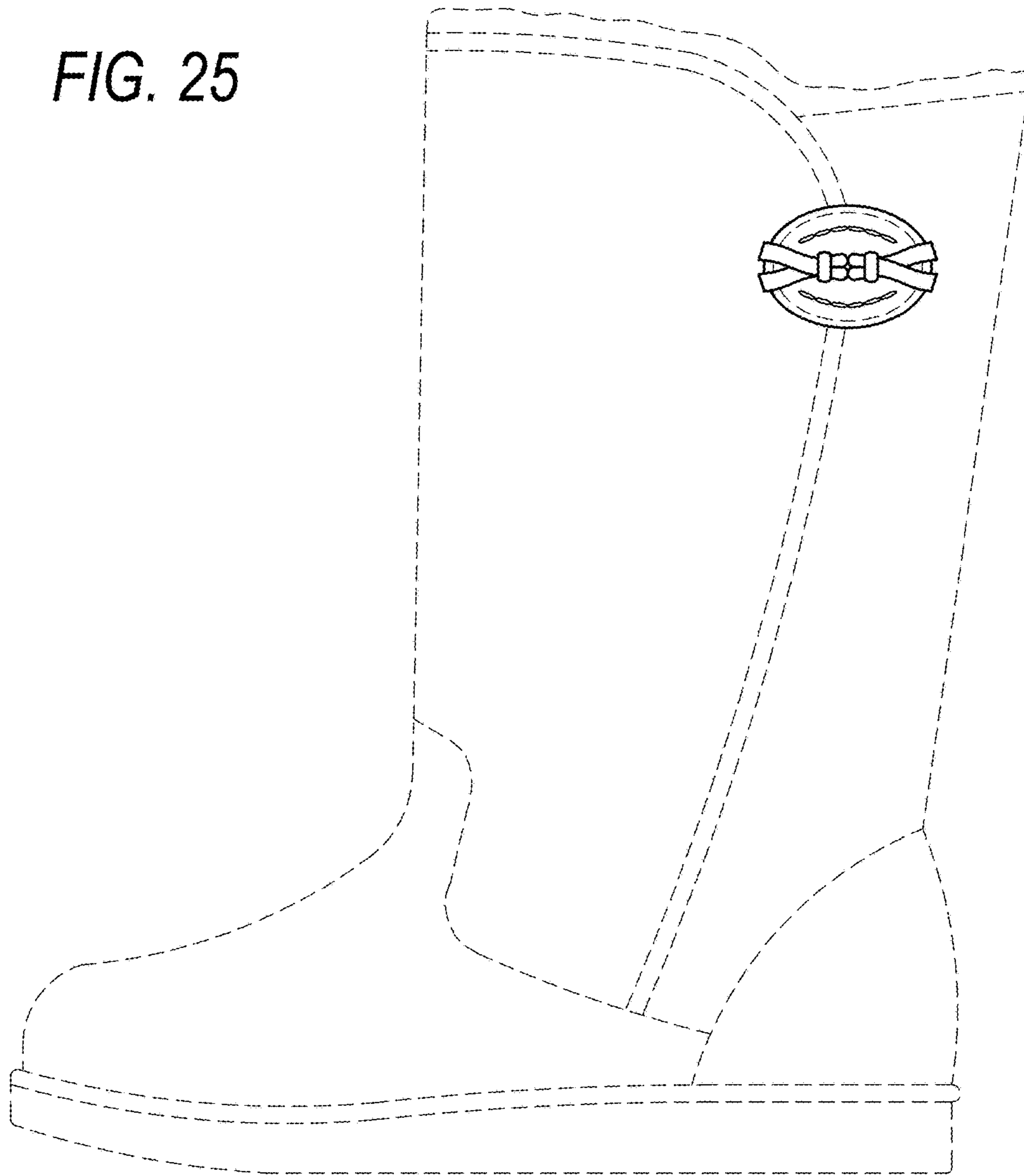


FIG. 26

