



US00D838460S

(12) **United States Design Patent**
Jalbert

(10) **Patent No.:** **US D838,460 S**
(45) **Date of Patent:** **** Jan. 22, 2019**

(54) **SHOE UPPER**

(71) Applicant: **Converse Inc.**, Boston, MA (US)

(72) Inventor: **Mario Jalbert**, Boston, MA (US)

(73) Assignee: **Converse Inc.**, Boston, MA (US)

(**) Term: **15 Years**

(21) Appl. No.: **29/612,508**

(22) Filed: **Aug. 1, 2017**

(51) **LOC (11) Cl.** **02-04**

(52) **U.S. Cl.**
USPC **D2/972**

(58) **Field of Classification Search**

USPC D2/896, 898, 900, 903, 907, 919-923,
D2/946, 969-974

CPC A43B 3/16; A43B 3/10; A43B 5/00-5/14;
A43B 23/00; A43B 23/02; A43B
23/0205; A43B 23/021

See application file for complete search history.

(56) **References Cited**

U.S. PATENT DOCUMENTS

D299,784 S	2/1989	Brown et al.	
D327,567 S *	7/1992	Nakao	D2/969
D474,009 S *	5/2003	Lotti	D2/972
D487,610 S *	3/2004	Lin	D2/907
D528,276 S *	9/2006	Fullum	D2/972
D537,616 S *	3/2007	Campbell	D2/972
D568,600 S *	5/2008	Chang	D2/972
D735,463 S *	8/2015	Avar	D2/972
D775,811 S *	1/2017	Walden	D2/972

OTHER PUBLICATIONS

Converse Pro Leather '76 "Vintage Suede" Collection [online], [retrieved Jul. 14, 2017] retrieved from internet, <URL: <https://sneakerbardetroit.com/converse-pro-leather-76-vintage-suede-collection/>; 4 color sheets, Dated Nov. 17, 2016.

* cited by examiner

Primary Examiner — Rashida C. Walshon

(74) *Attorney, Agent, or Firm* — Banner & Witcoff, Ltd.

(57) **CLAIM**

The ornamental design for a shoe upper, as shown and described.

DESCRIPTION

FIG. 1 is a front perspective view of a shoe upper showing my new design;

FIG. 2 is a side view thereof;

FIG. 3 is a front view thereof;

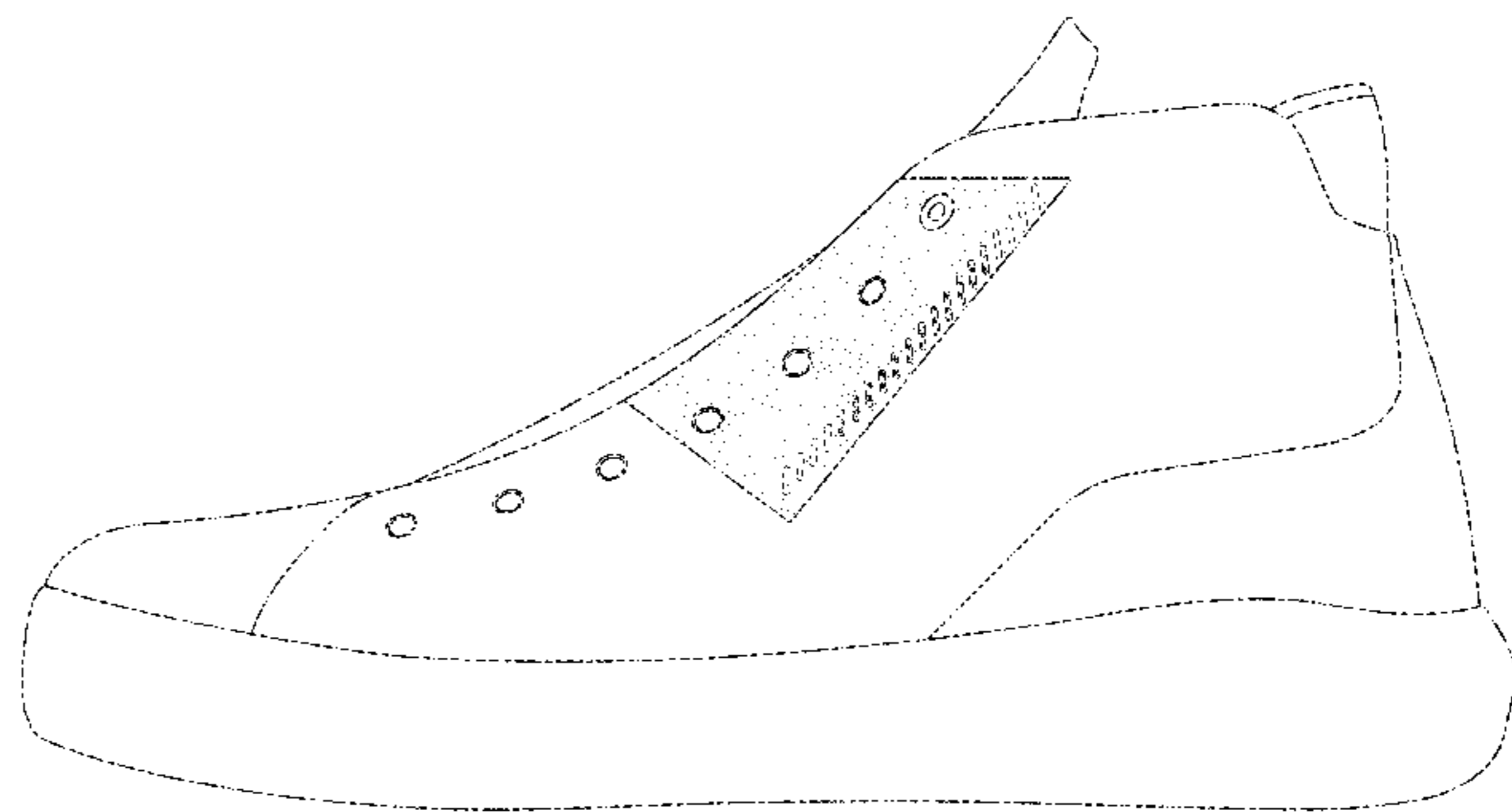
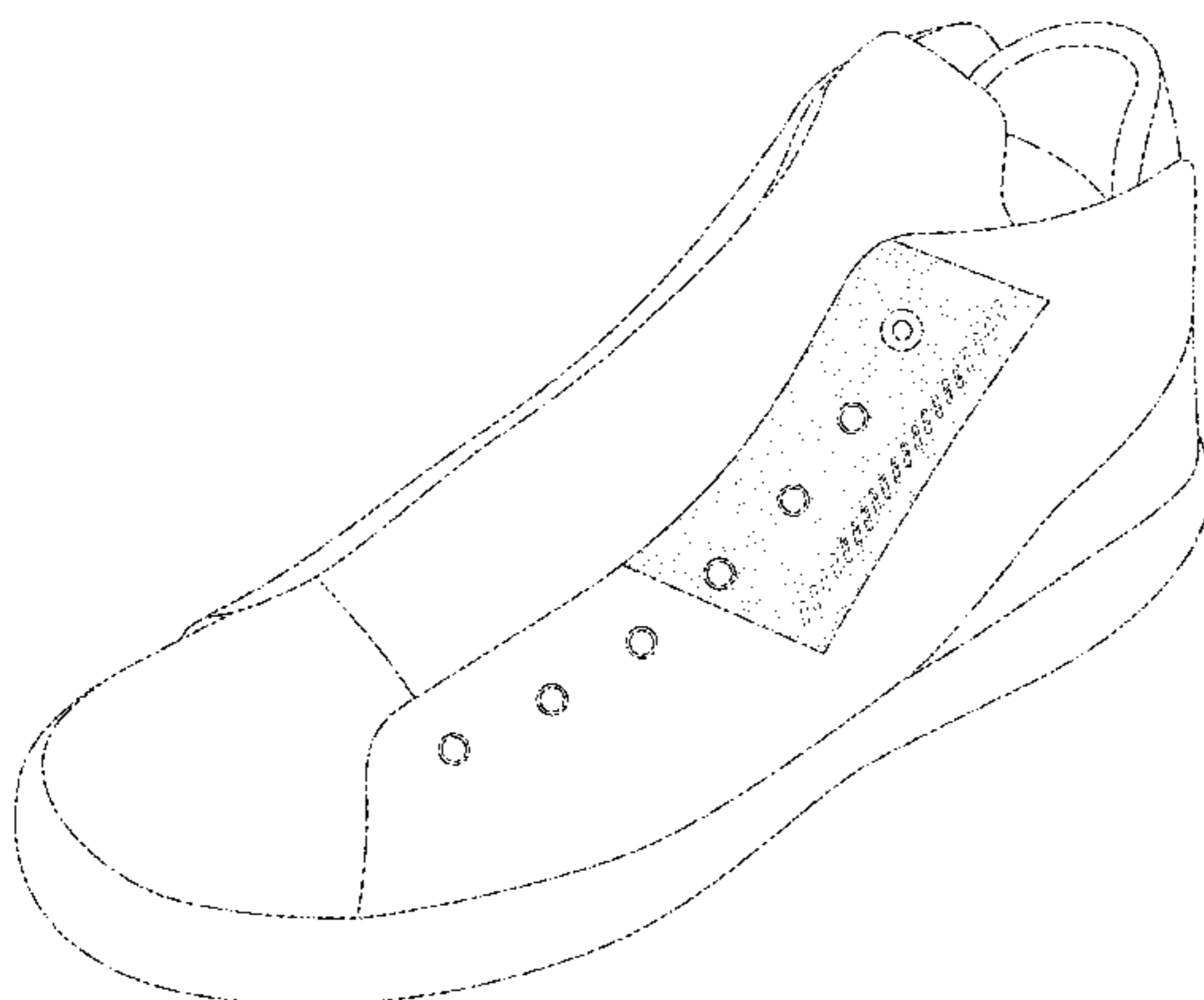
FIG. 4 is a top view thereof;

FIG. 5 is an enlarged view of the claimed area of FIG. 2, shown in isolation from the remainder of the shoe for clarity purposes; and,

FIG. 6 is an enlarged view of the claimed area of FIG. 4, shown in isolation from the remainder of the shoe for clarity purposes.

The broken lines immediately adjacent to the shaded area define the bounds of the claimed design and form no part thereof. The broken lines showing the remainder of the shoe represent unclaimed subject matter and form no part of the claimed design. The broken lines within the shaded area represent features that form no part of the claimed design.

1 Claim, 6 Drawing Sheets



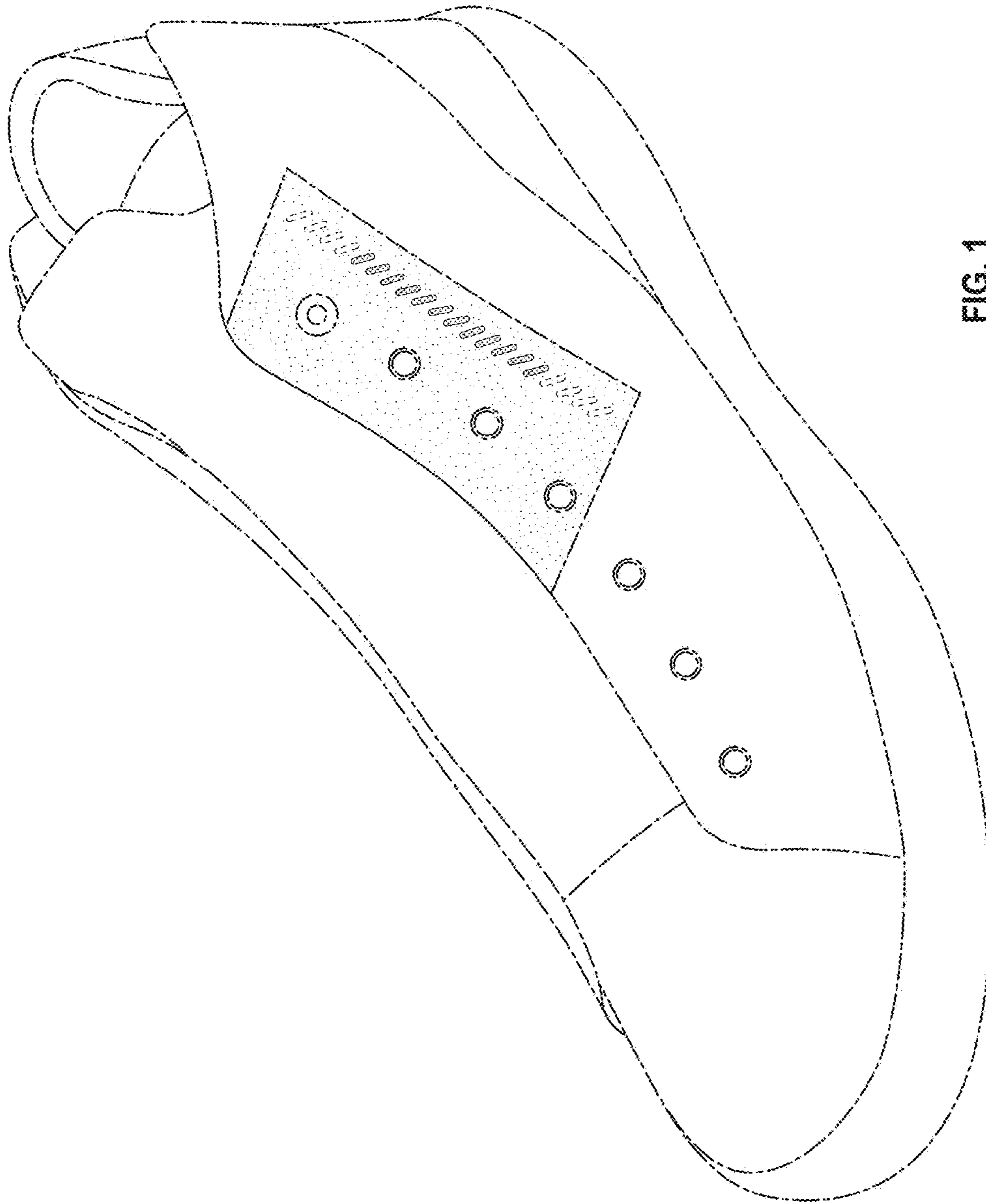


FIG. 1

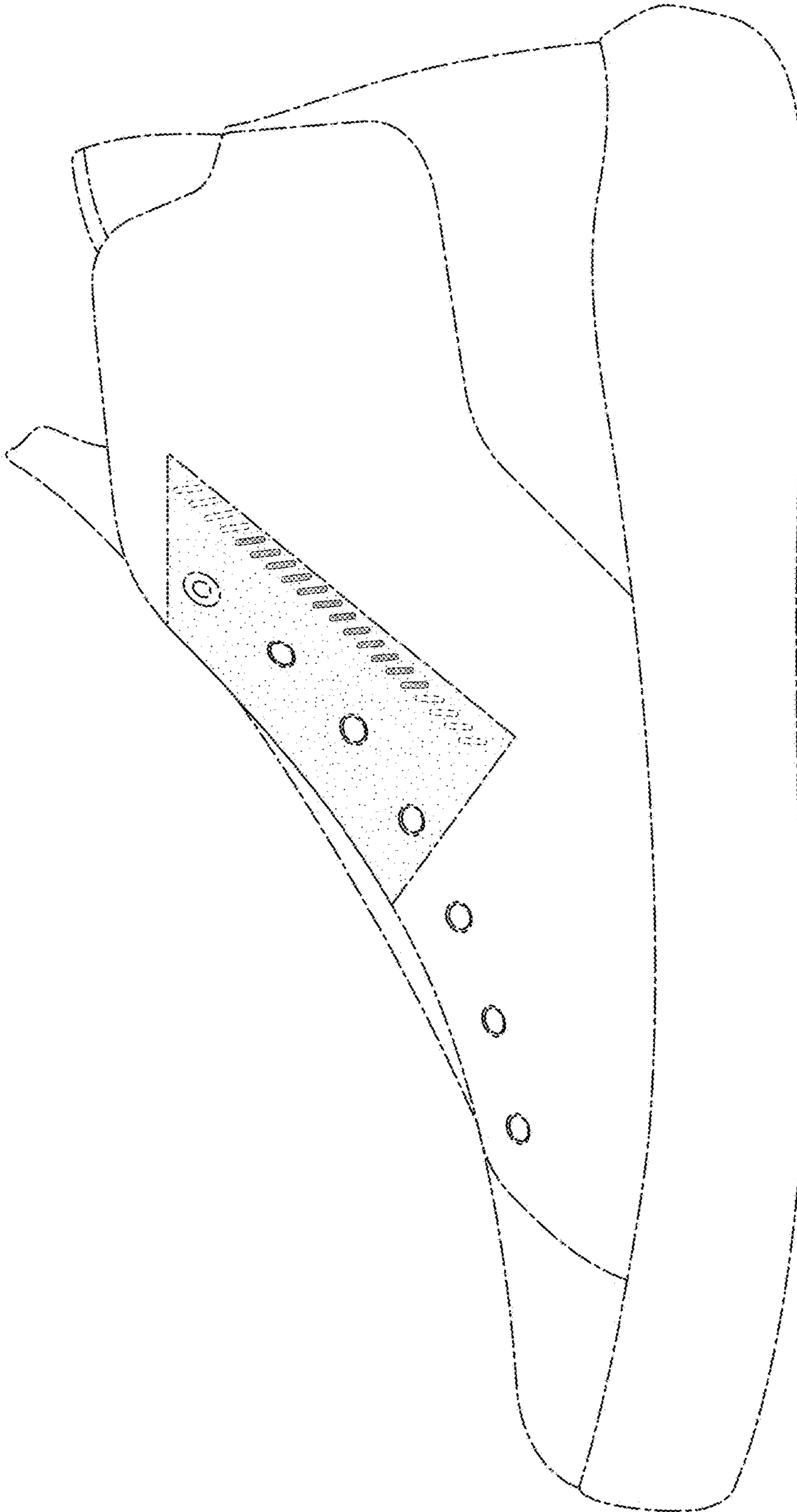


FIG. 2

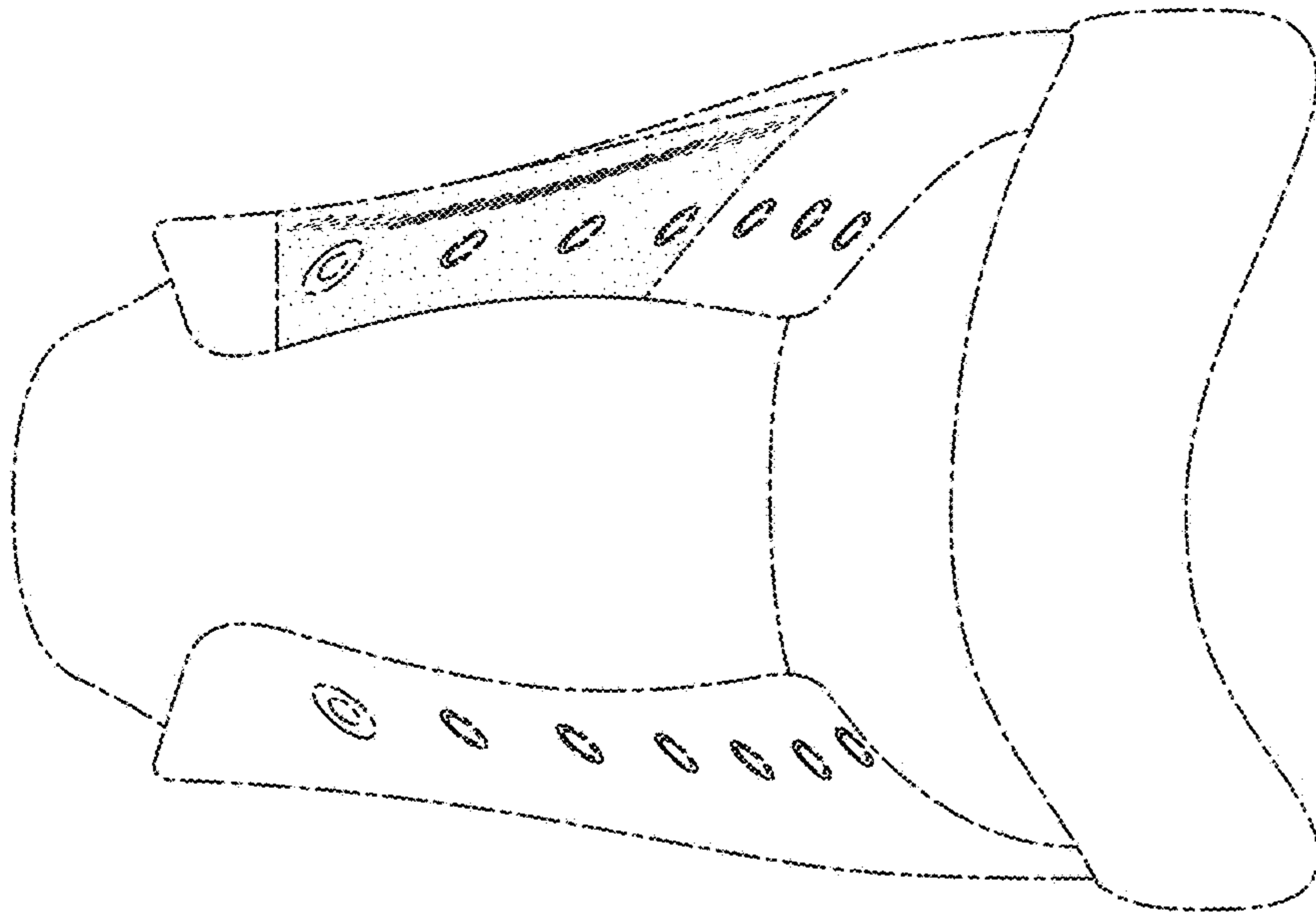


FIG. 3

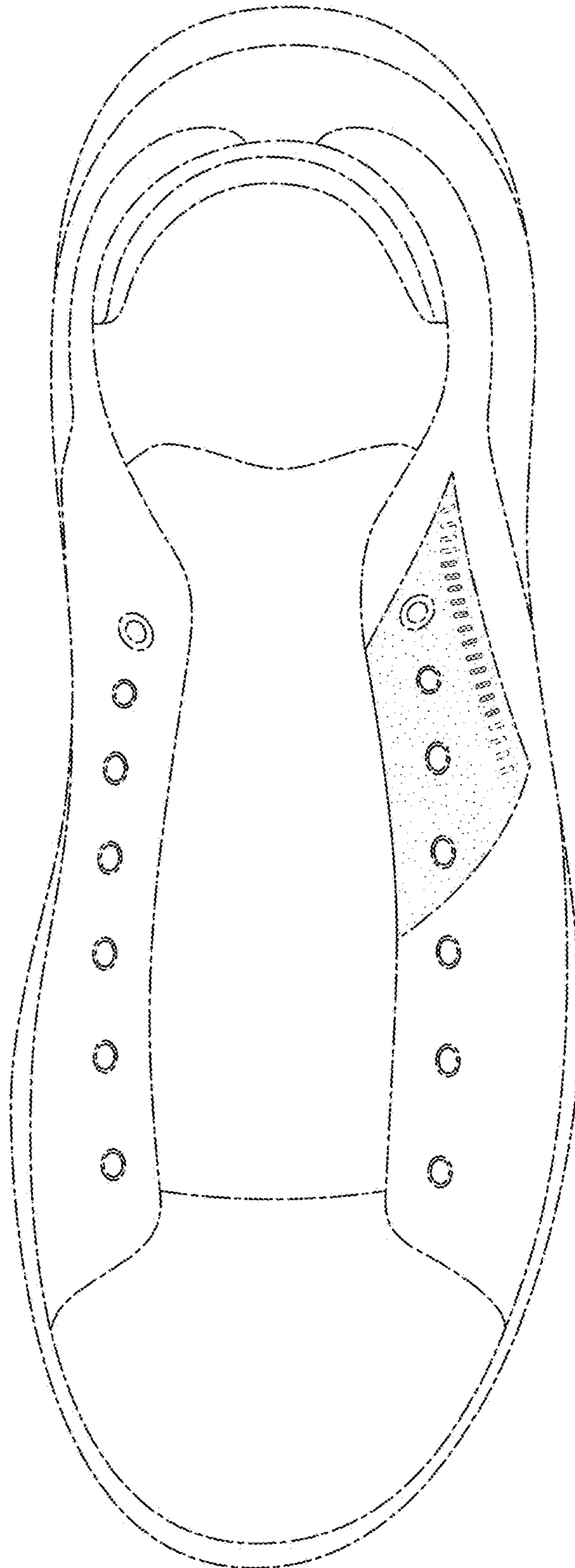


FIG. 4

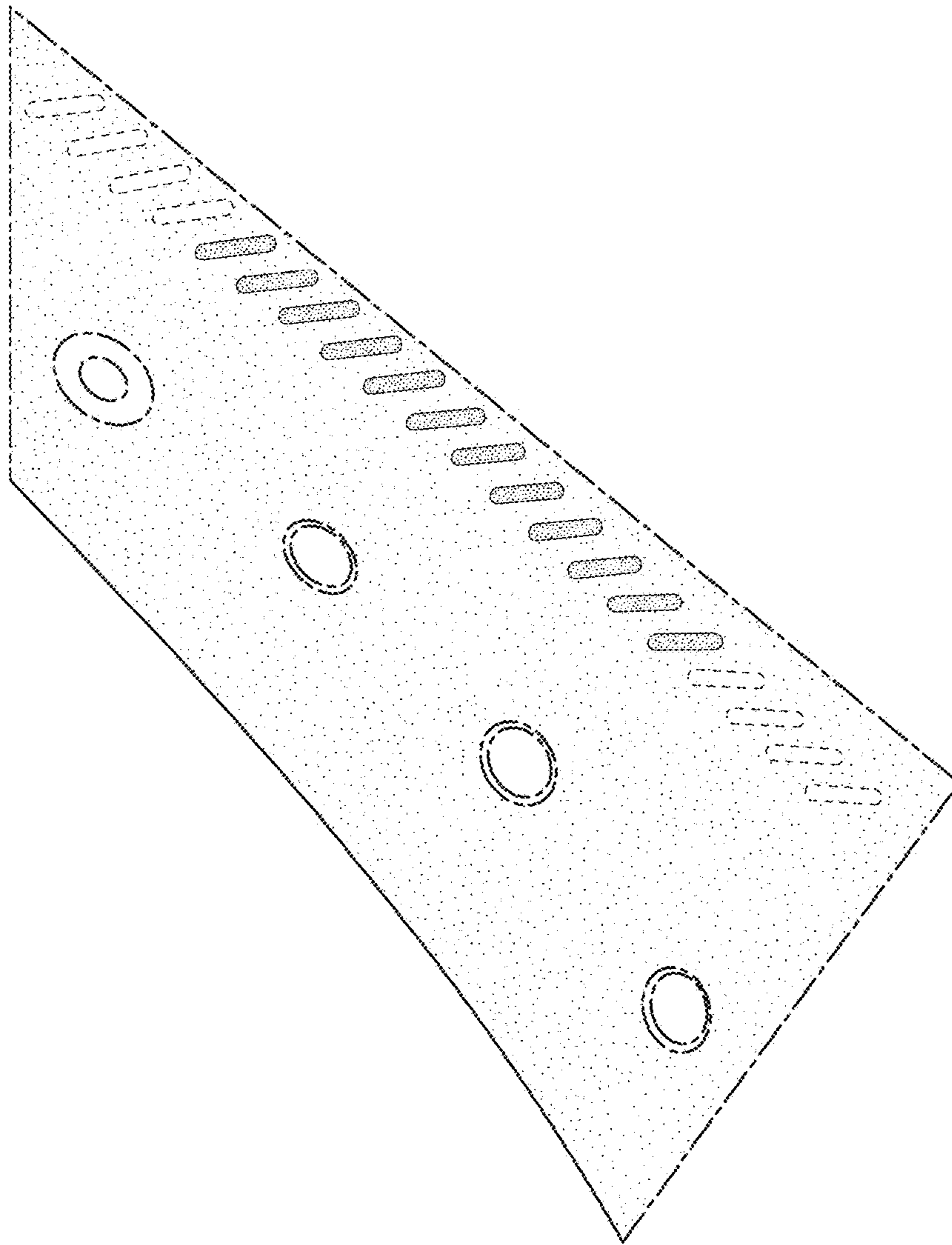


FIG. 5

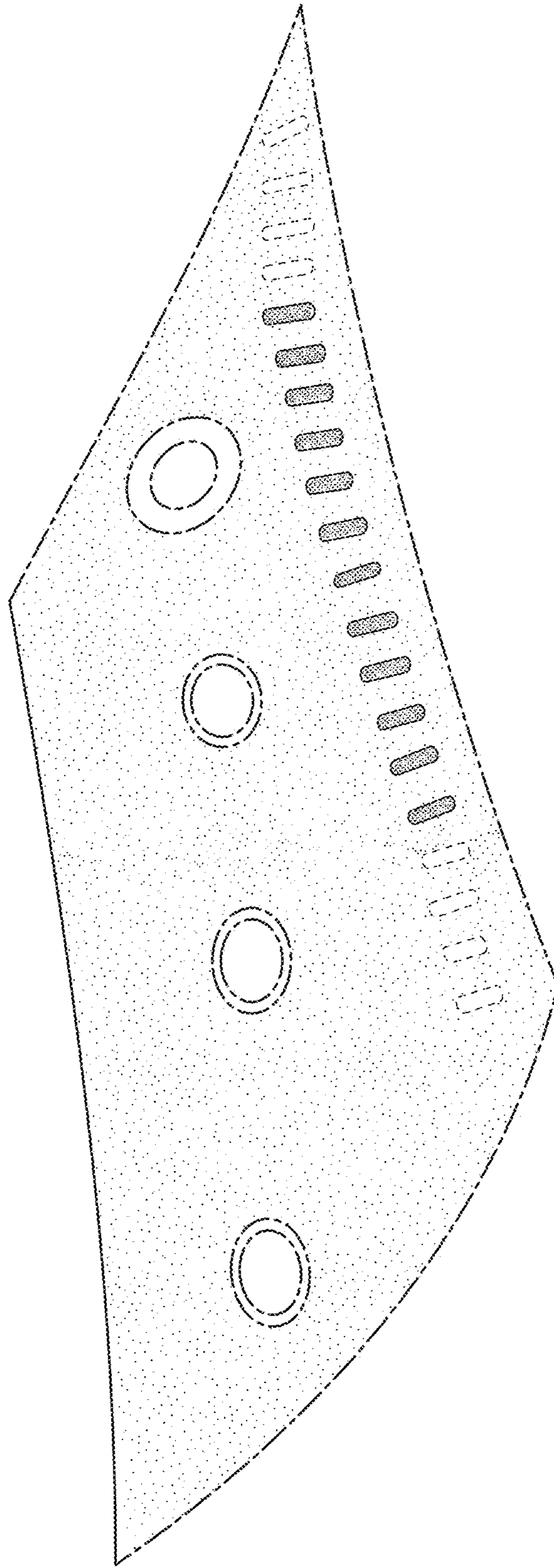


FIG. 6