



US00D838455S

(12) **United States Design Patent**
Strother

(10) **Patent No.:** **US D838,455 S**

(45) **Date of Patent:** **** Jan. 22, 2019**

(54) **SHOE UPPER**

(71) Applicant: **TBL Licensing LLC**, Stratham, NH
(US)

(72) Inventor: **Brian Lee Strother**, Dover, NH (US)

(73) Assignee: **TBL Licensing LLC**, Stratham, NH
(US)

(**) Term: **15 Years**

(21) Appl. No.: **29/584,786**

(22) Filed: **Nov. 17, 2016**

(51) **LOC (11) Cl.** **02-04**

(52) **U.S. Cl.**
USPC **D2/970; D2/909**

(58) **Field of Classification Search**
USPC D2/896, 909–915, 946, 969, 970–974
(Continued)

(56) **References Cited**

U.S. PATENT DOCUMENTS

1,973,105 A 9/1934 Rohn et al.
2,869,253 A 1/1959 Sachs
(Continued)

FOREIGN PATENT DOCUMENTS

JP 2006042869 A 2/2006
WO 0064292 A1 11/2000
(Continued)

OTHER PUBLICATIONS

European Search Report for Application No. EP16180867 dated
Jan. 16, 2017.

(Continued)

Primary Examiner — Rashida C. Walshon

(74) *Attorney, Agent, or Firm* — Lerner, David,
Littenberg, Krumholz & Mentlik, LLP

(57) **CLAIM**

The ornamental design for a shoe upper, as shown and
described.

DESCRIPTION

FIG. 1 is a front perspective view of my shoe upper,
according to a first embodiment of the design;
FIG. 2 is a front view thereof;
FIG. 3 is a right-side view thereof;
FIG. 4 is a left-side view thereof;
FIG. 5 is a top view thereof;
FIG. 6 is a front perspective view of my shoe upper,
according to a second embodiment of the design;
FIG. 7 is a front view thereof;
FIG. 8 is a right-side view thereof;
FIG. 9 is a left-side view thereof;
FIG. 10 is a top view thereof;
FIG. 11 is a front perspective view of my shoe upper,
according to a third embodiment of the design;
FIG. 12 is a front view thereof;
FIG. 13 is a right-side view thereof;
FIG. 14 is a left-side view thereof;
FIG. 15 is a top view thereof;
FIG. 16 is a front perspective view of my shoe upper,
according to a fourth embodiment of the design;
FIG. 17 is a front view thereof;
FIG. 18 is a right-side view thereof;
FIG. 19 is a left-side view thereof;
FIG. 20 is a top view thereof;
FIG. 21 is a front perspective view of my shoe upper,
according to a fifth embodiment of the design;
FIG. 22 is a front view thereof;
FIG. 23 is a right-side view thereof;
FIG. 24 is a left-side view thereof; and,
FIG. 25 is a top view thereof.
The broken lines shown in the drawings represent portions
of the shoe upper article that form no part of the claimed
design.

1 Claim, 25 Drawing Sheets



(58) **Field of Classification Search**
 CPC A43B 3/02; A43B 23/00; A43B 23/081;
 A43B 5/04; A43B 3/16
 See application file for complete search history.

(56) **References Cited**

U.S. PATENT DOCUMENTS

RE24,897 E	11/1960	Schlecht	
3,693,270 A	9/1972	Murray	
4,184,273 A *	1/1980	Boyer	A43B 3/02 36/118.2
4,333,248 A	6/1982	Samuels	
4,535,553 A	8/1985	Derderian et al.	
D282,599 S *	2/1986	Frey	D2/911
4,673,605 A	6/1987	Sias et al.	
D334,646 S *	4/1993	Dissinger	A43B 3/02 D2/970
5,224,277 A	7/1993	Sang Do	
5,392,533 A	2/1995	Gerhartl	
5,528,841 A	6/1996	Pozzobon	
5,680,657 A	10/1997	Valtakari	
5,782,014 A	7/1998	Peterson	
5,915,819 A	6/1999	Gooding	
D412,391 S *	8/1999	Covatch	D2/913
6,012,236 A	1/2000	Pozzobon et al.	
6,038,790 A	3/2000	Pyle et al.	
6,138,383 A	10/2000	Steinke et al.	
6,381,876 B2	5/2002	Krajcir	
6,497,057 B1	12/2002	Lee et al.	
6,581,305 B2	6/2003	Ho	
6,618,962 B1	9/2003	Covatch	
6,752,450 B2	6/2004	Carroll, III et al.	
6,754,982 B2	6/2004	Reed et al.	
6,802,138 B2	10/2004	McManus et al.	
6,926,947 B1	8/2005	Seckel	
6,939,599 B2	9/2005	Clark	

7,134,223 B2	11/2006	Ganon	
D579,647 S *	11/2008	Schoenborn	D2/970
7,475,497 B2	1/2009	Hoffer et al.	
RE40,757 E	6/2009	Covatch	
D622,487 S *	8/2010	McCarron	D2/909
7,774,954 B2	8/2010	Hoffer et al.	
RE43,214 E	2/2012	Covatch	
8,161,665 B2	4/2012	Nakano	
8,635,789 B2	1/2014	Spiller et al.	
8,661,712 B2	3/2014	Aveni et al.	
D704,928 S *	5/2014	Roundhouse	D2/970
2001/0022039 A1	9/2001	Krajcir	
2002/0017038 A1	2/2002	Umezawa	
2002/0188997 A1	12/2002	Lyden	
2003/0097768 A1	5/2003	Baek	
2003/0101620 A1	6/2003	Reed et al.	
2003/0150131 A1	8/2003	McManus et al.	
2009/0100722 A1	4/2009	Hoffer et al.	
2009/0276943 A1	11/2009	Balolia	
2010/0011620 A1	1/2010	Nakano	
2010/0275470 A1	11/2010	Hoffer et al.	
2010/0299967 A1	12/2010	Atsumi et al.	
2011/0185597 A1	8/2011	Guest	
2011/0247240 A1	10/2011	Eder et al.	
2012/0317836 A1	12/2012	Voorhees	

FOREIGN PATENT DOCUMENTS

WO	2006017651 A1	2/2006
WO	2011050373 A1	4/2011

OTHER PUBLICATIONS

International Search Report and Written Opinion for Application
 No. PCT/US2012/059562 dated Mar. 20, 2013.

* cited by examiner



FIG. 1

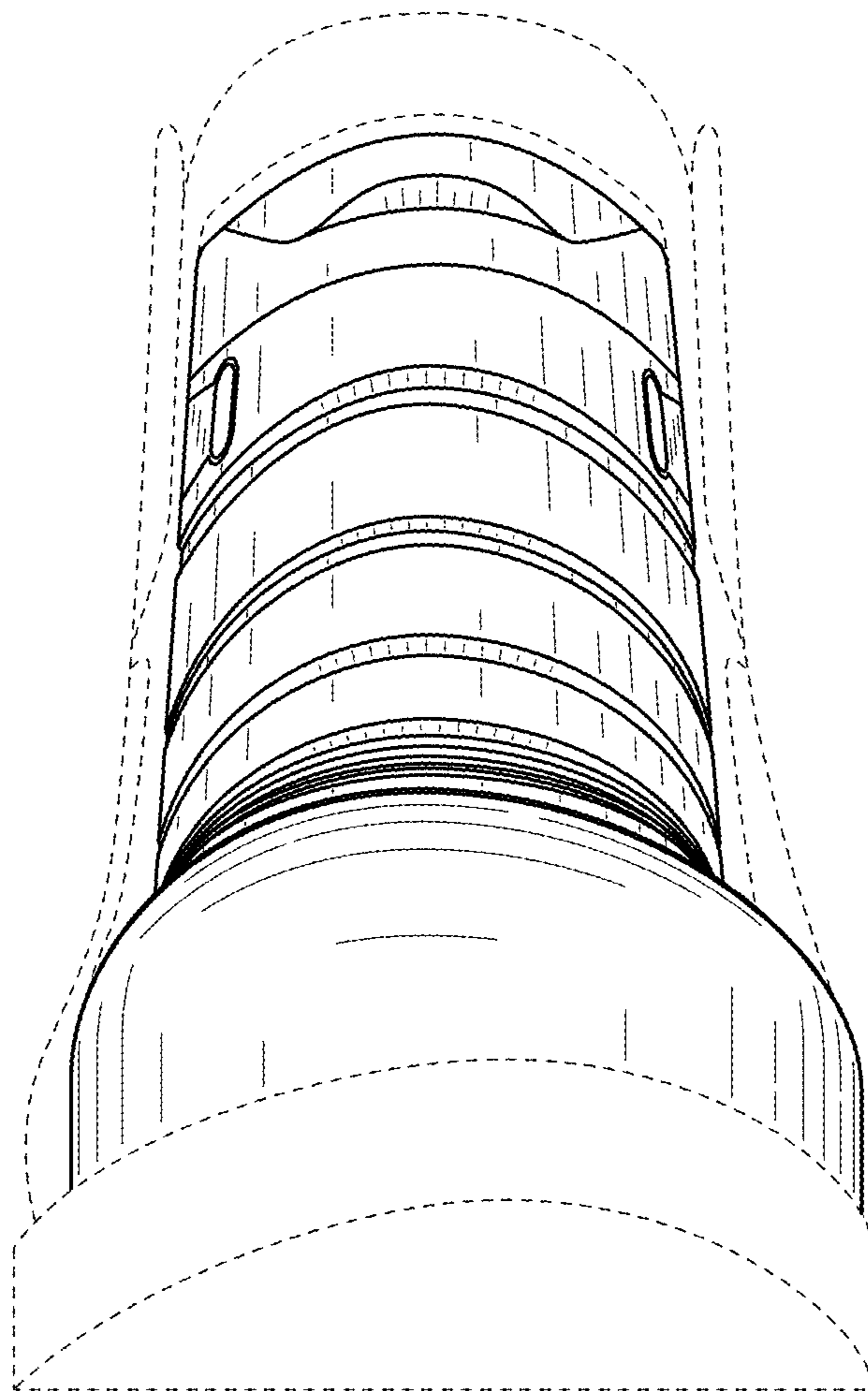


FIG. 2

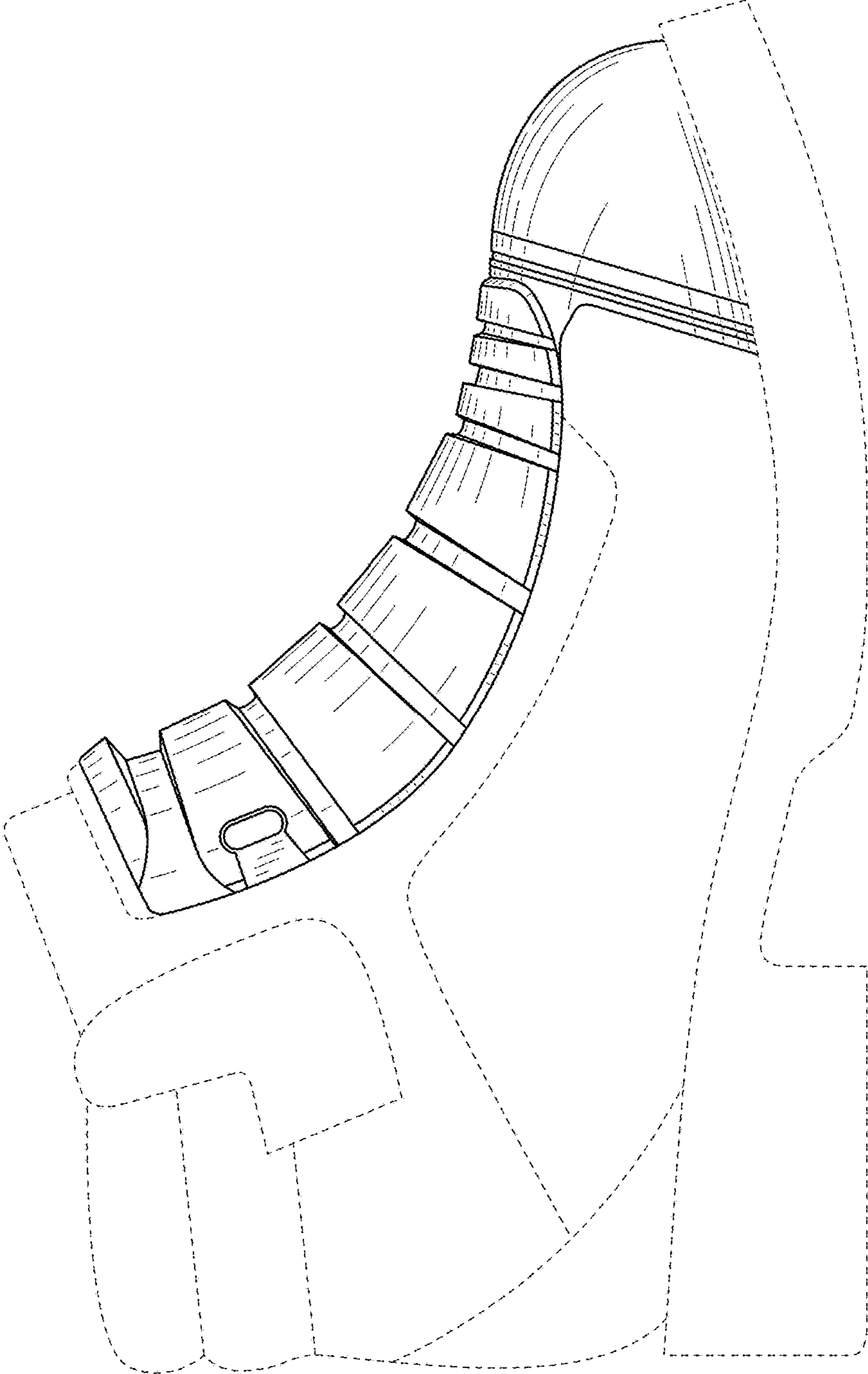


FIG. 3

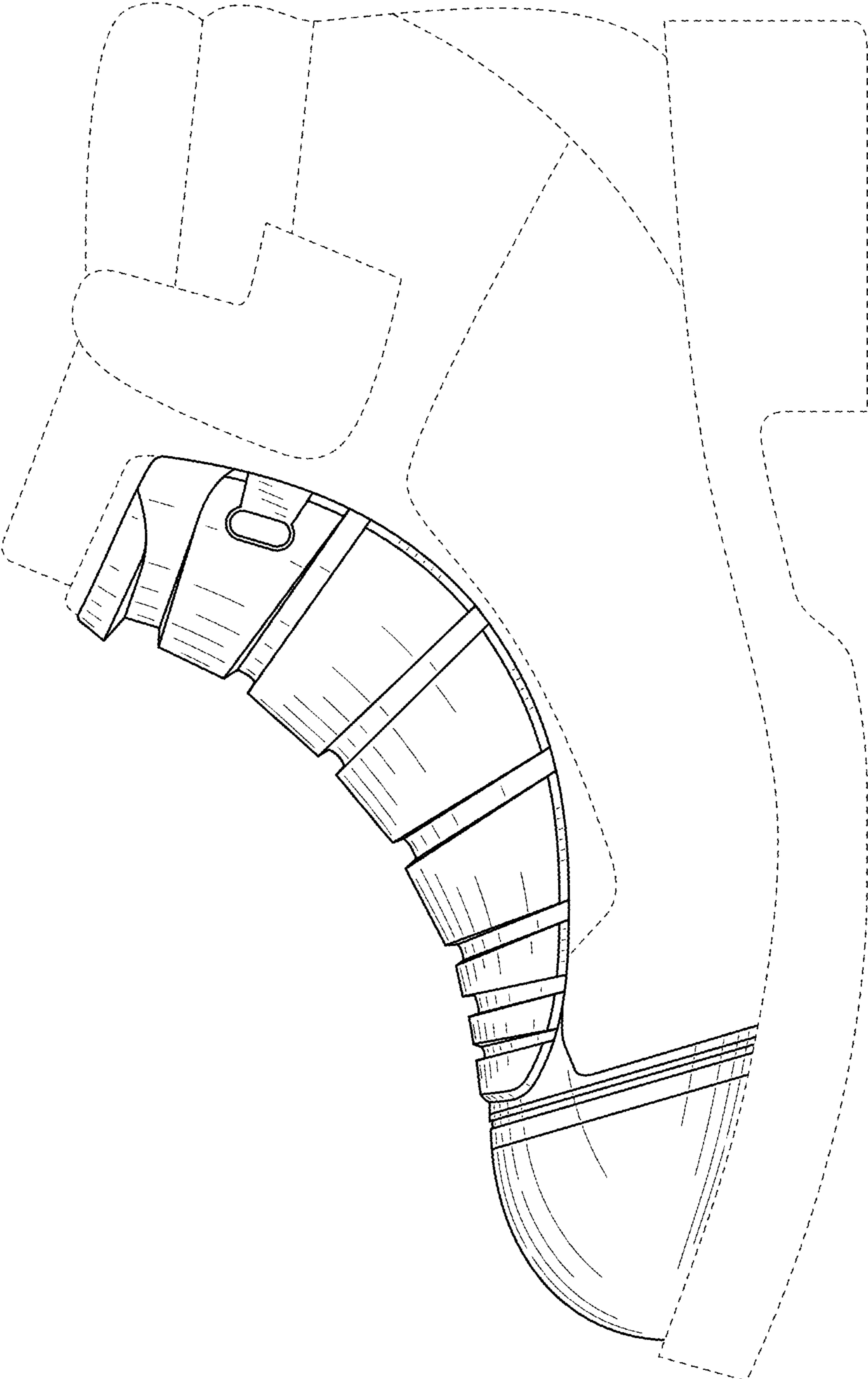


FIG. 4

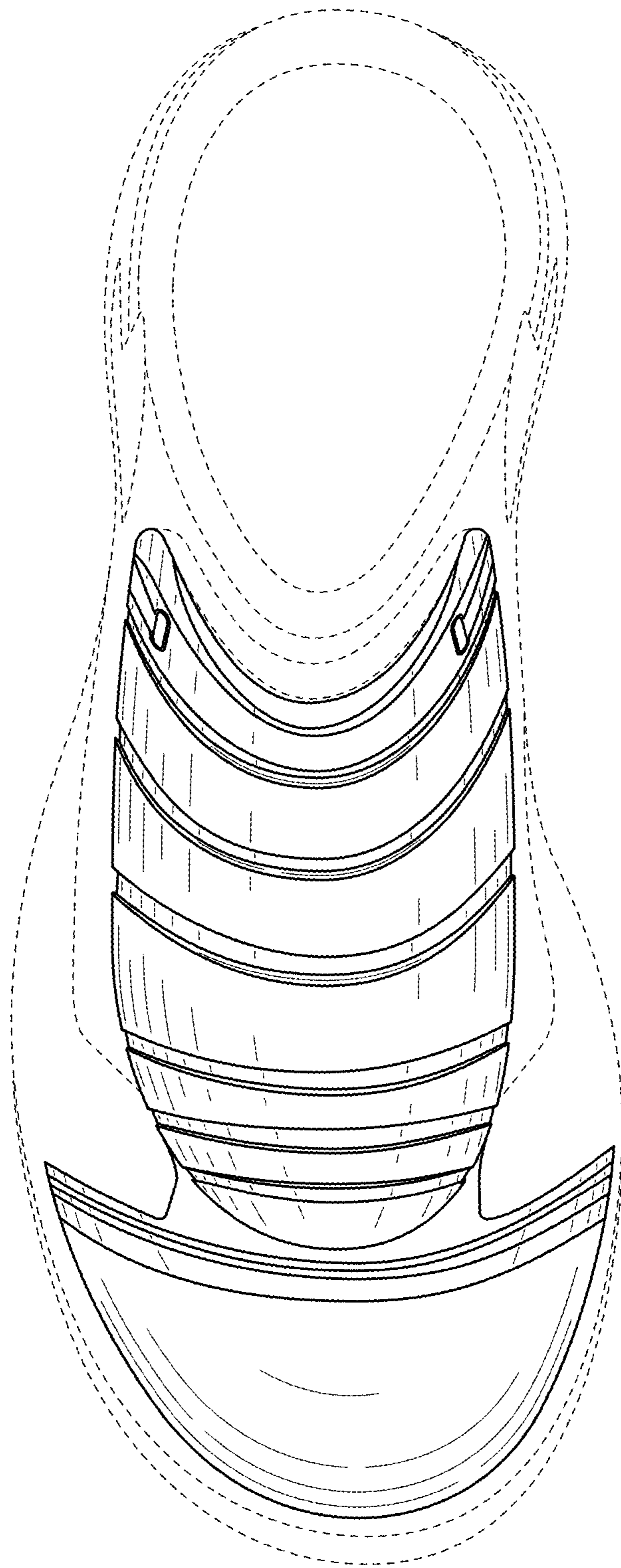


FIG. 5



FIG. 6

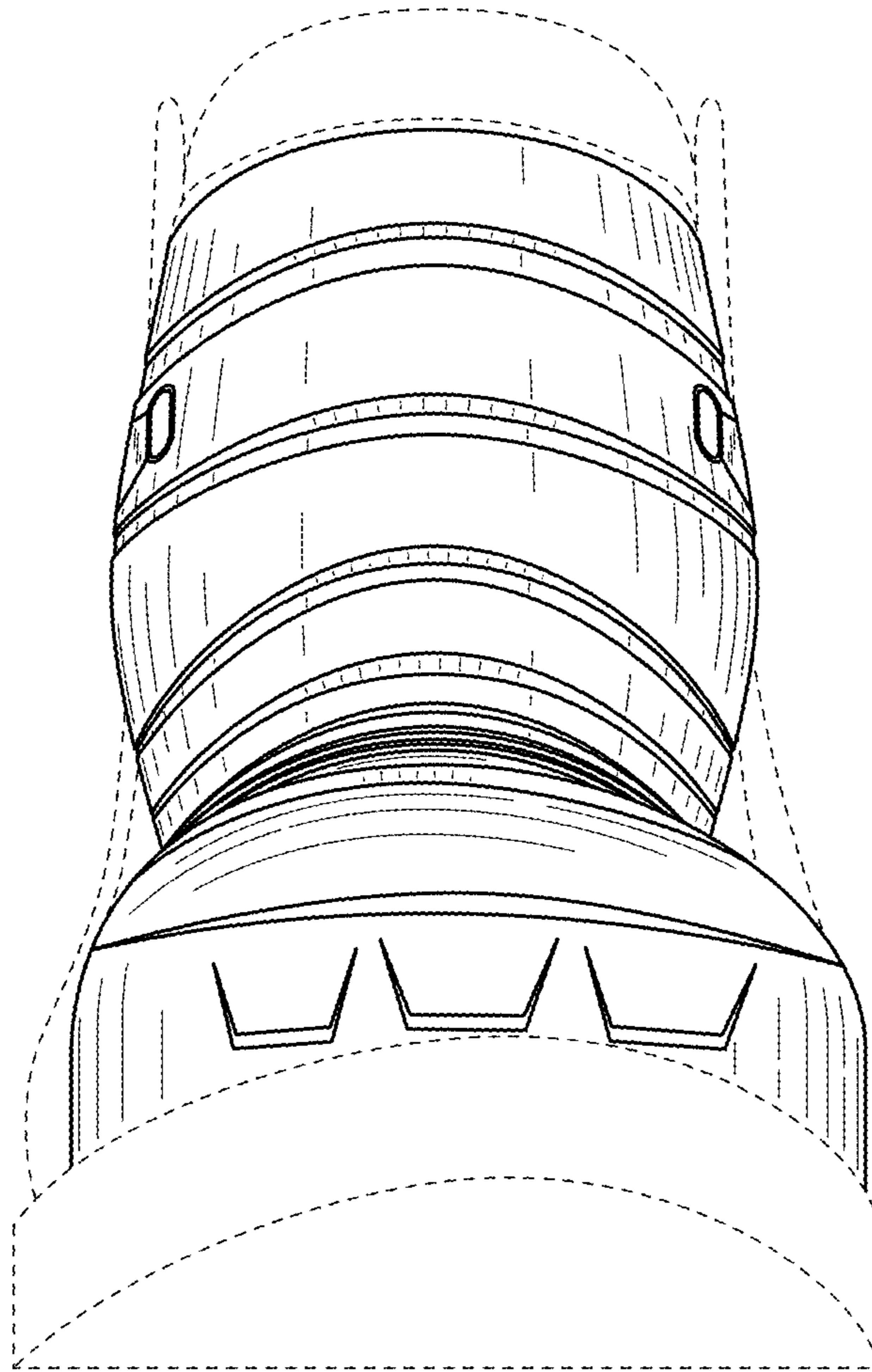


FIG. 7

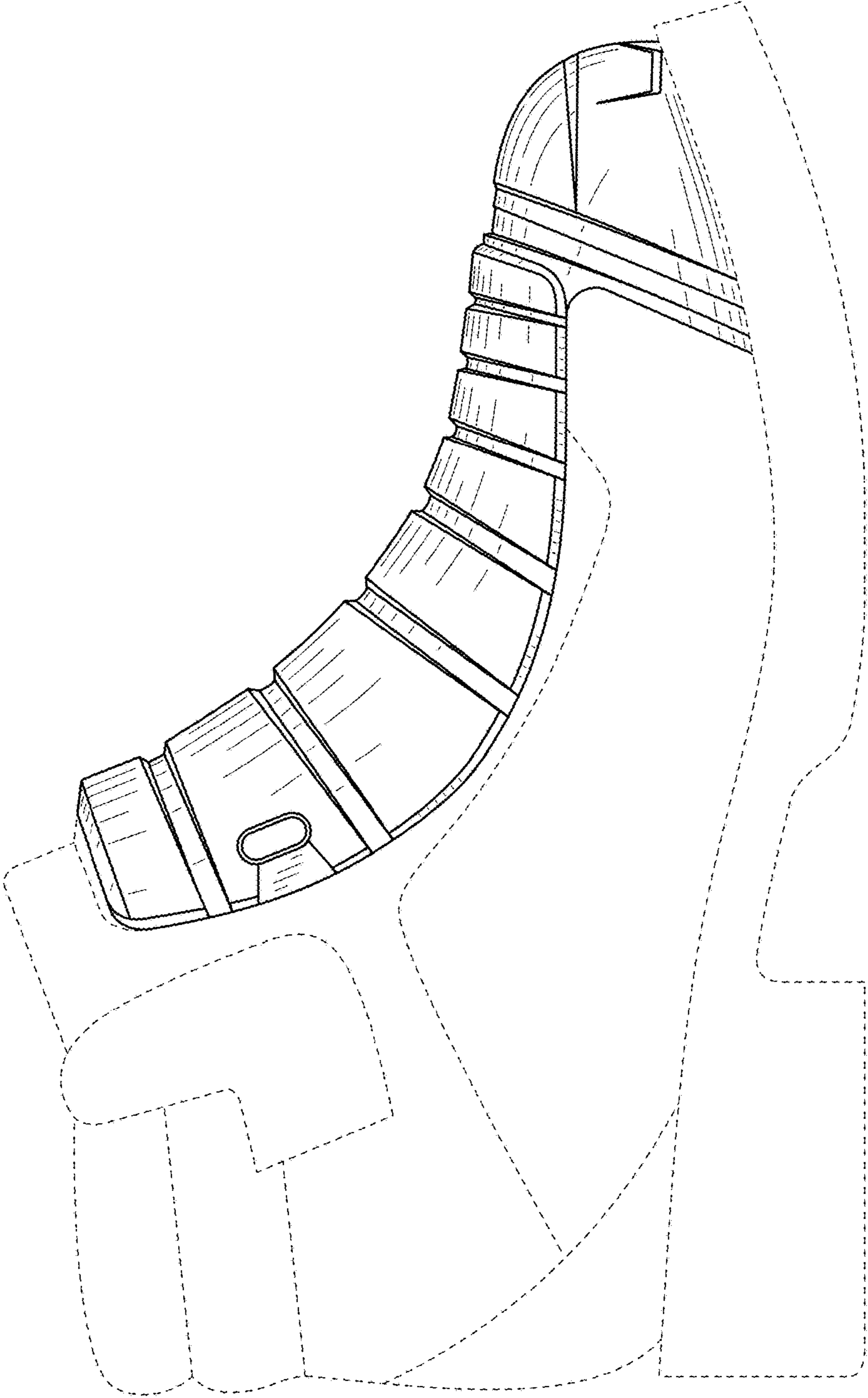


FIG. 8

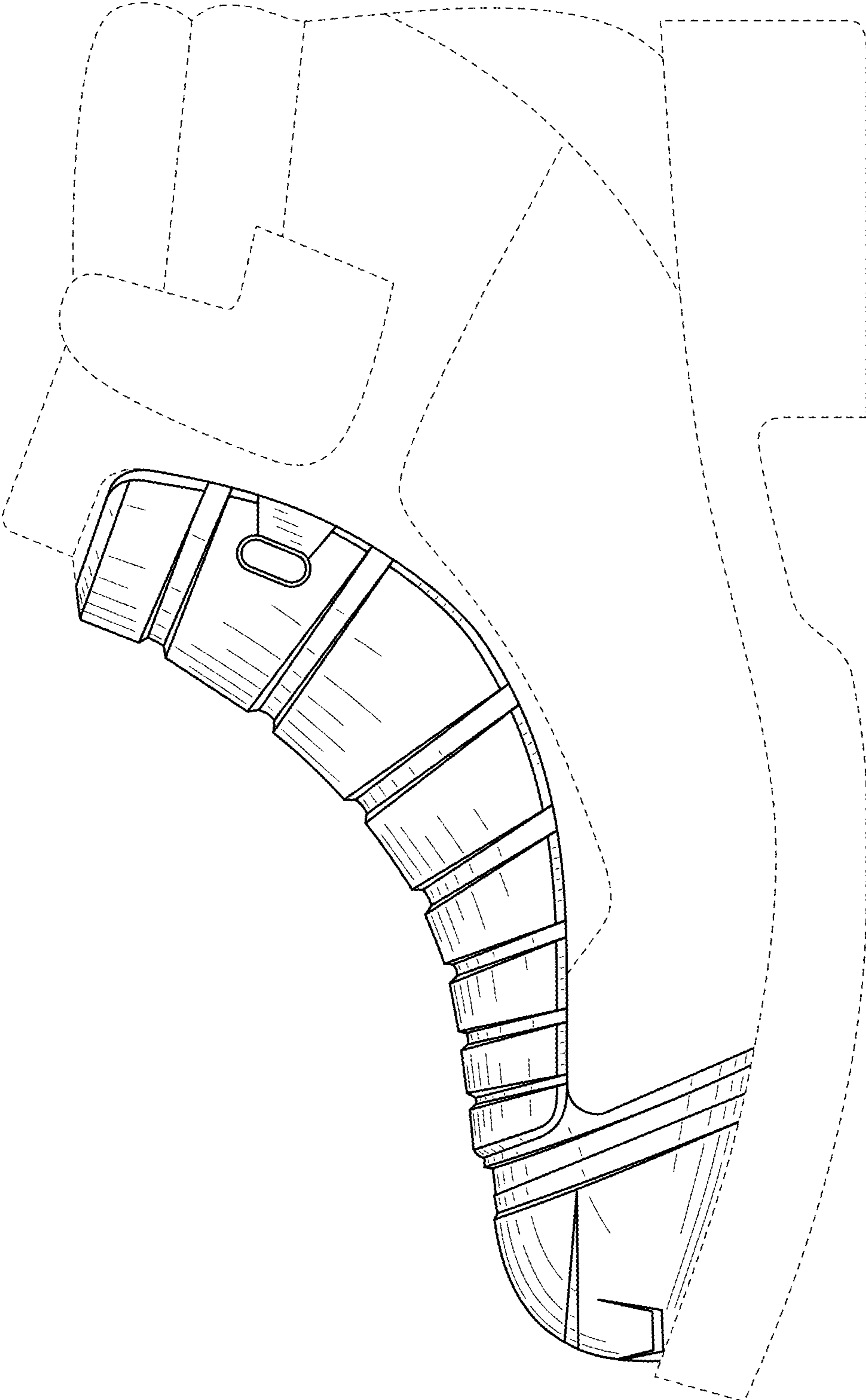


FIG. 9

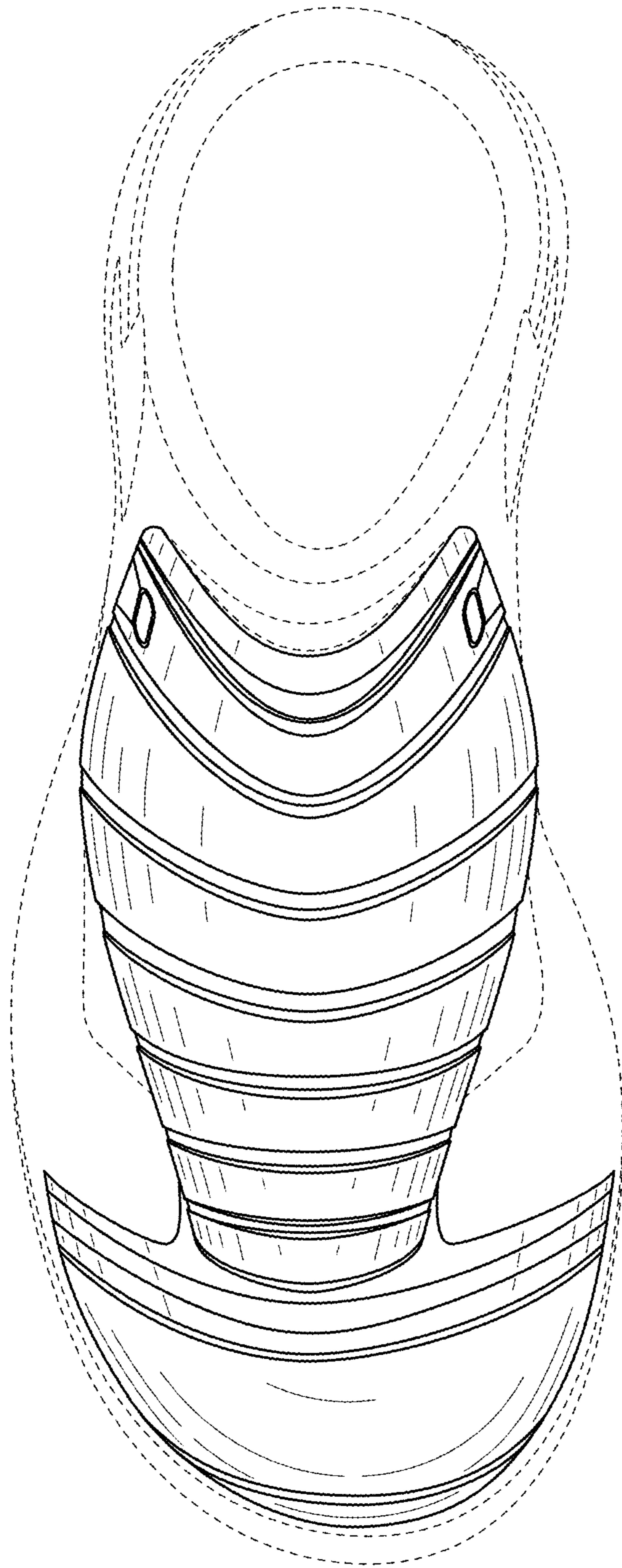


FIG. 10

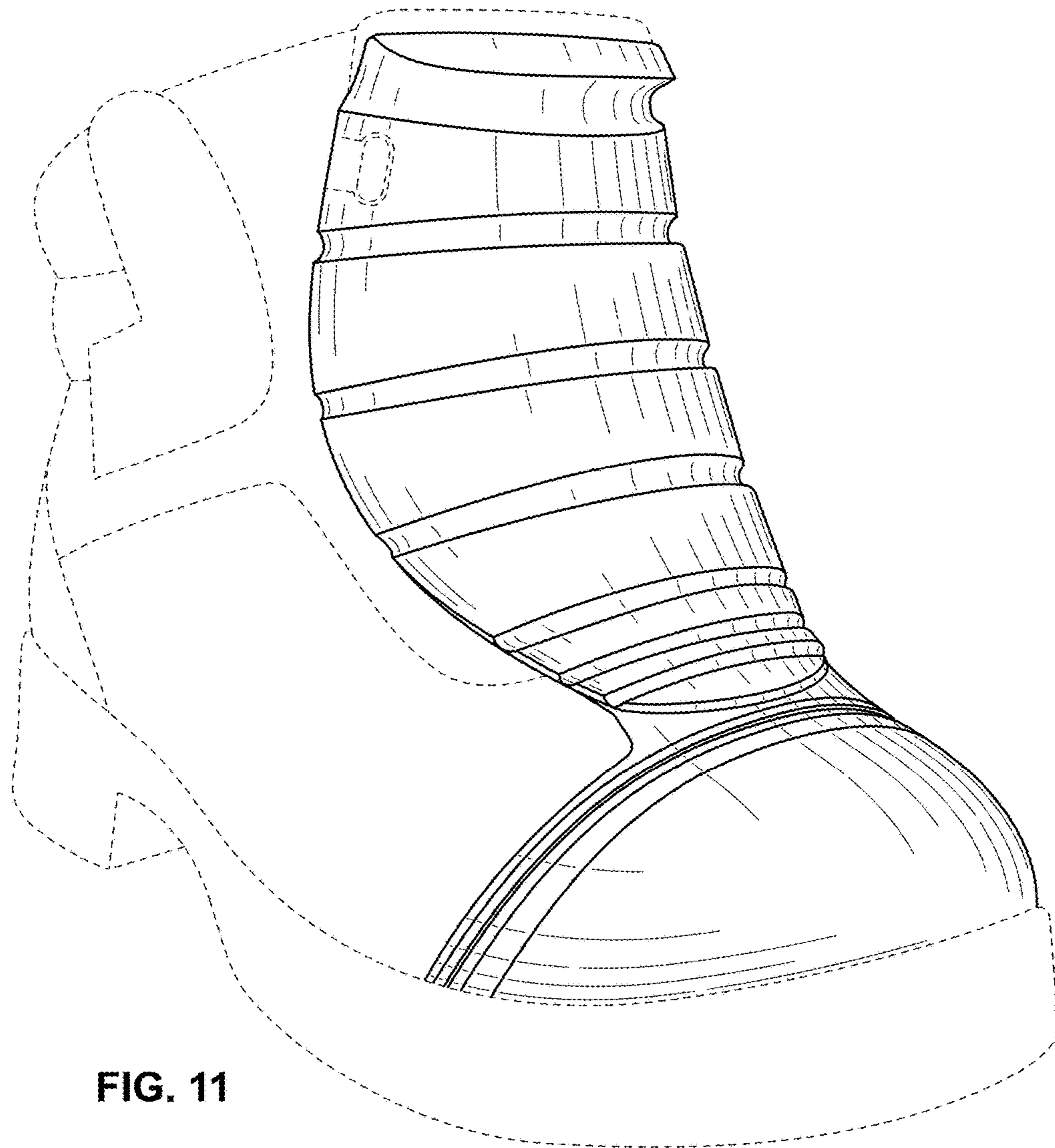


FIG. 11

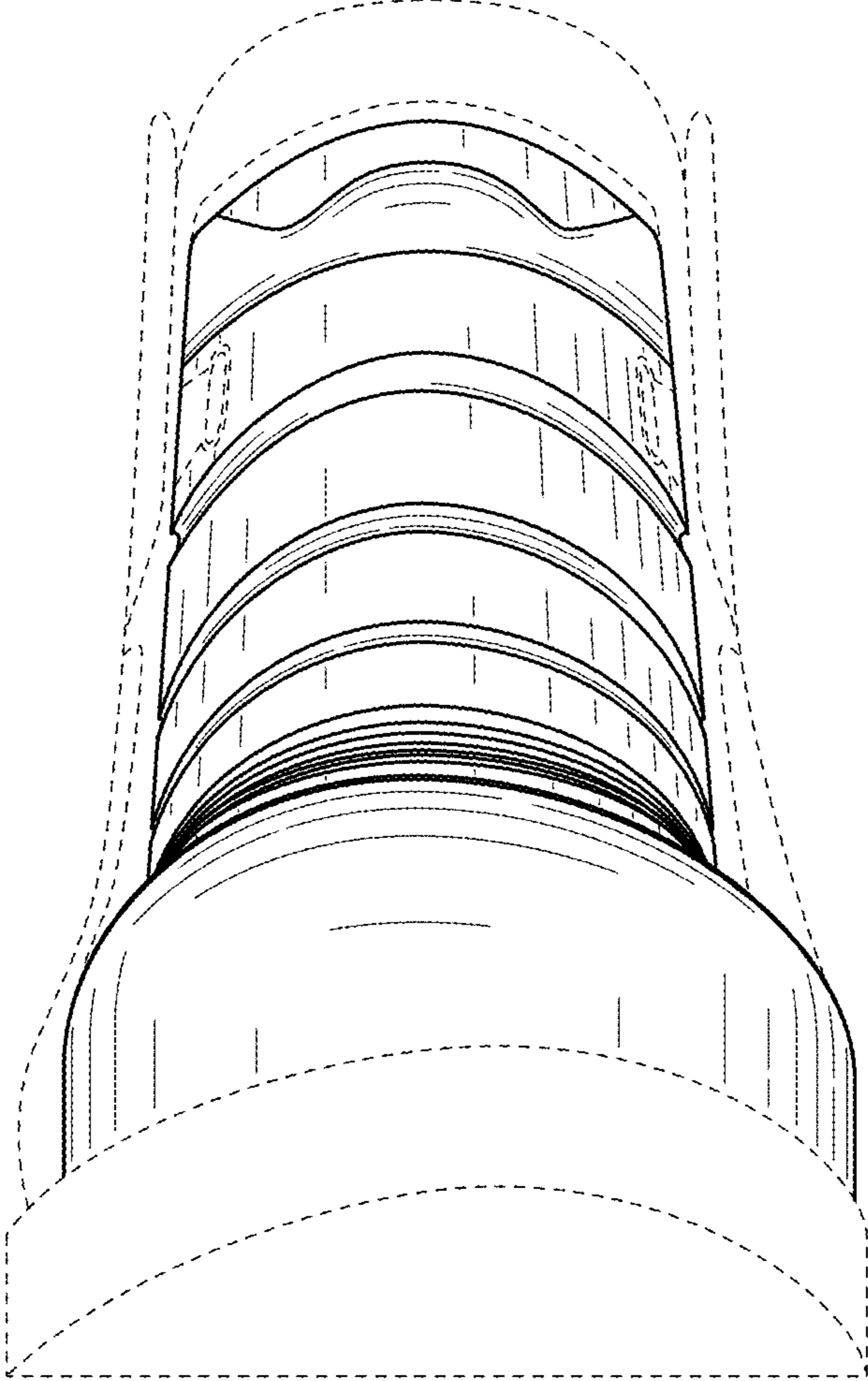


FIG. 12

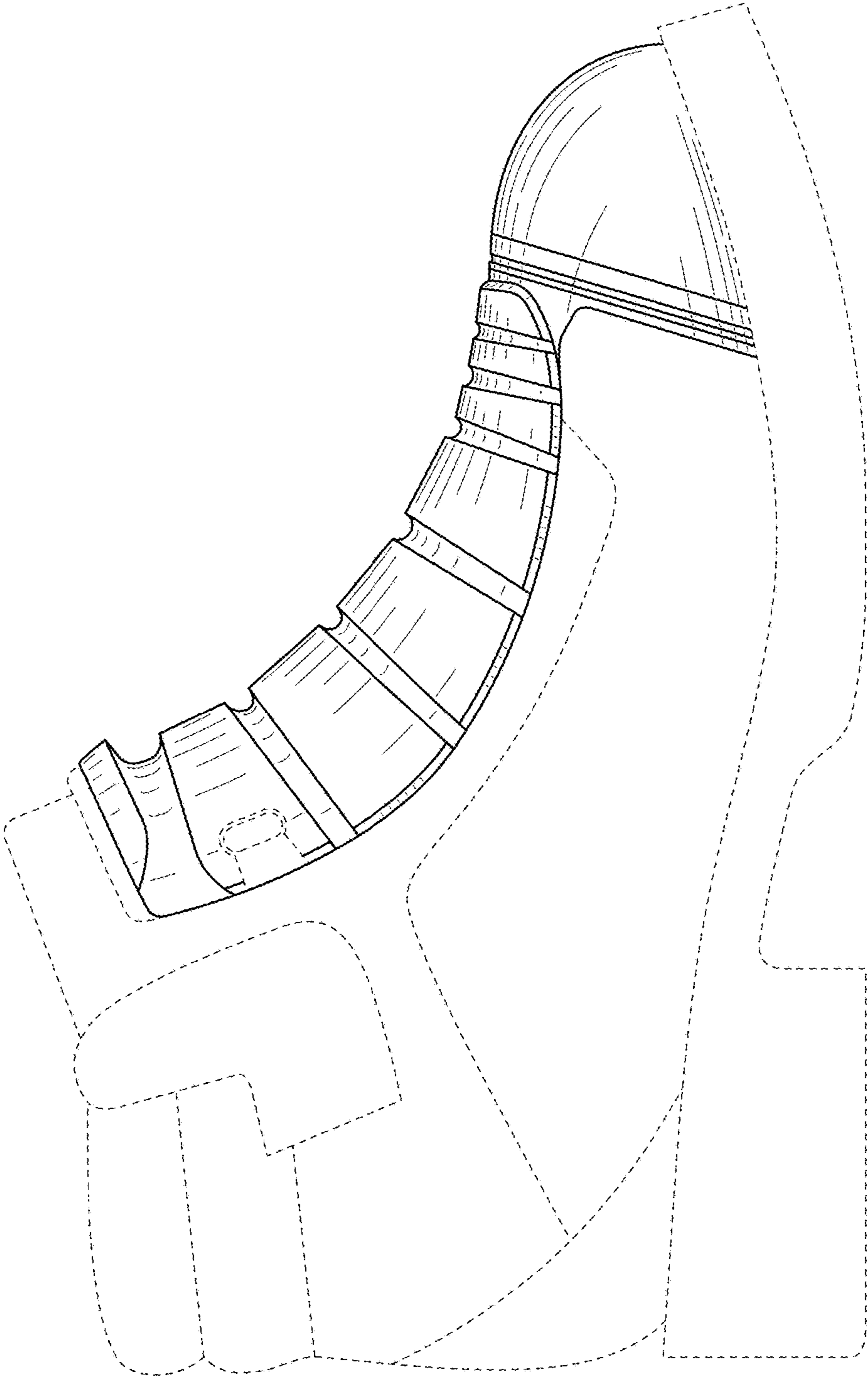


FIG. 13

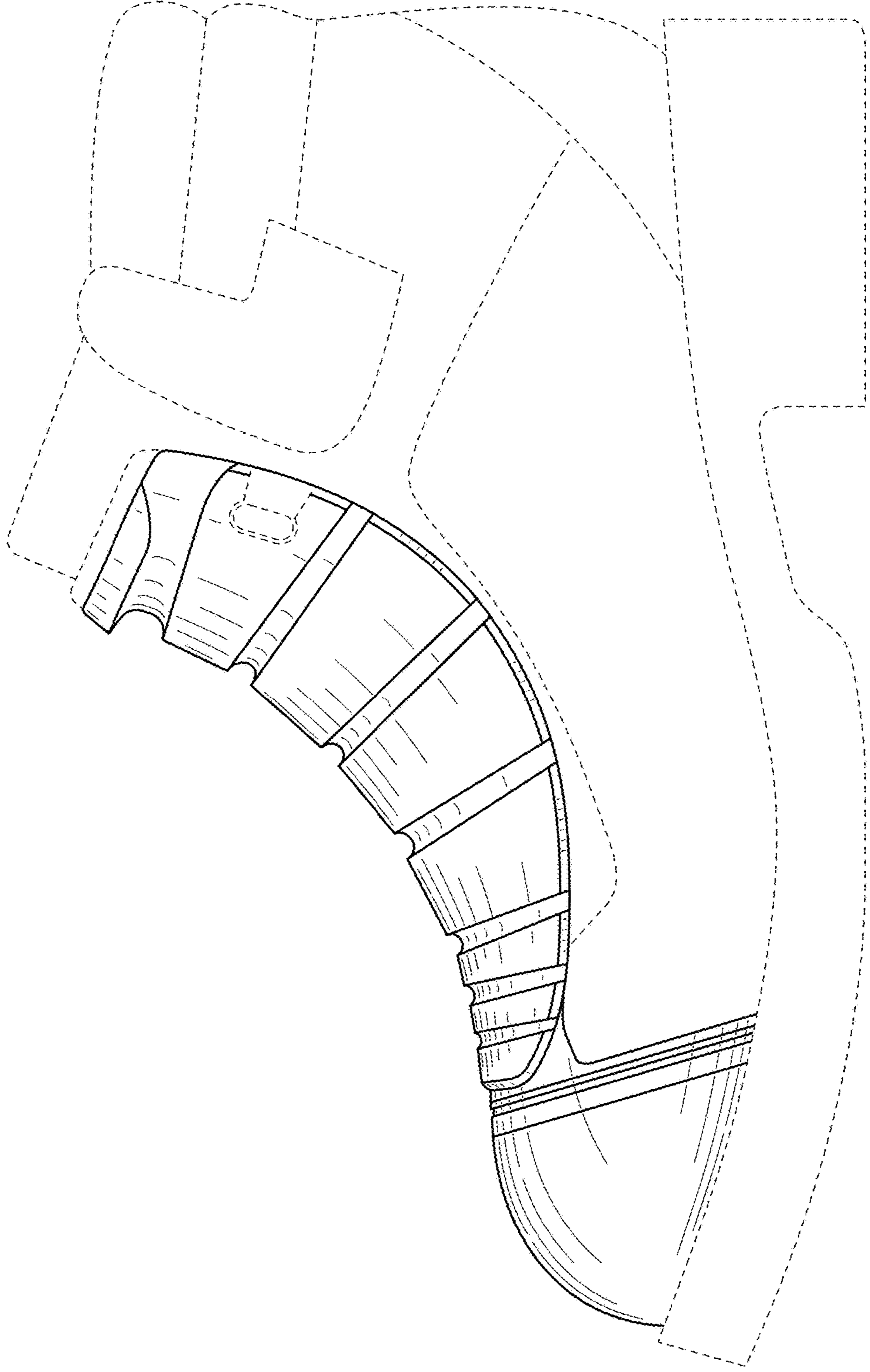


FIG. 14

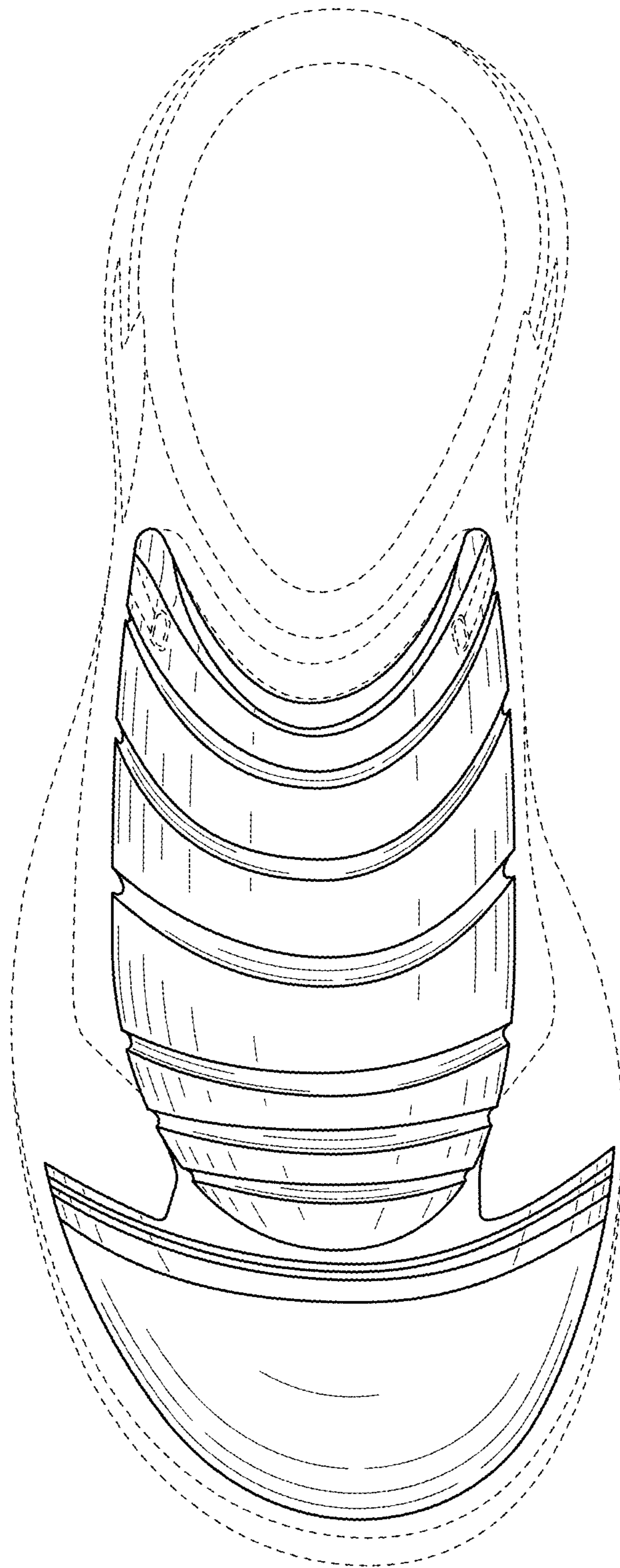


FIG. 15



FIG. 16

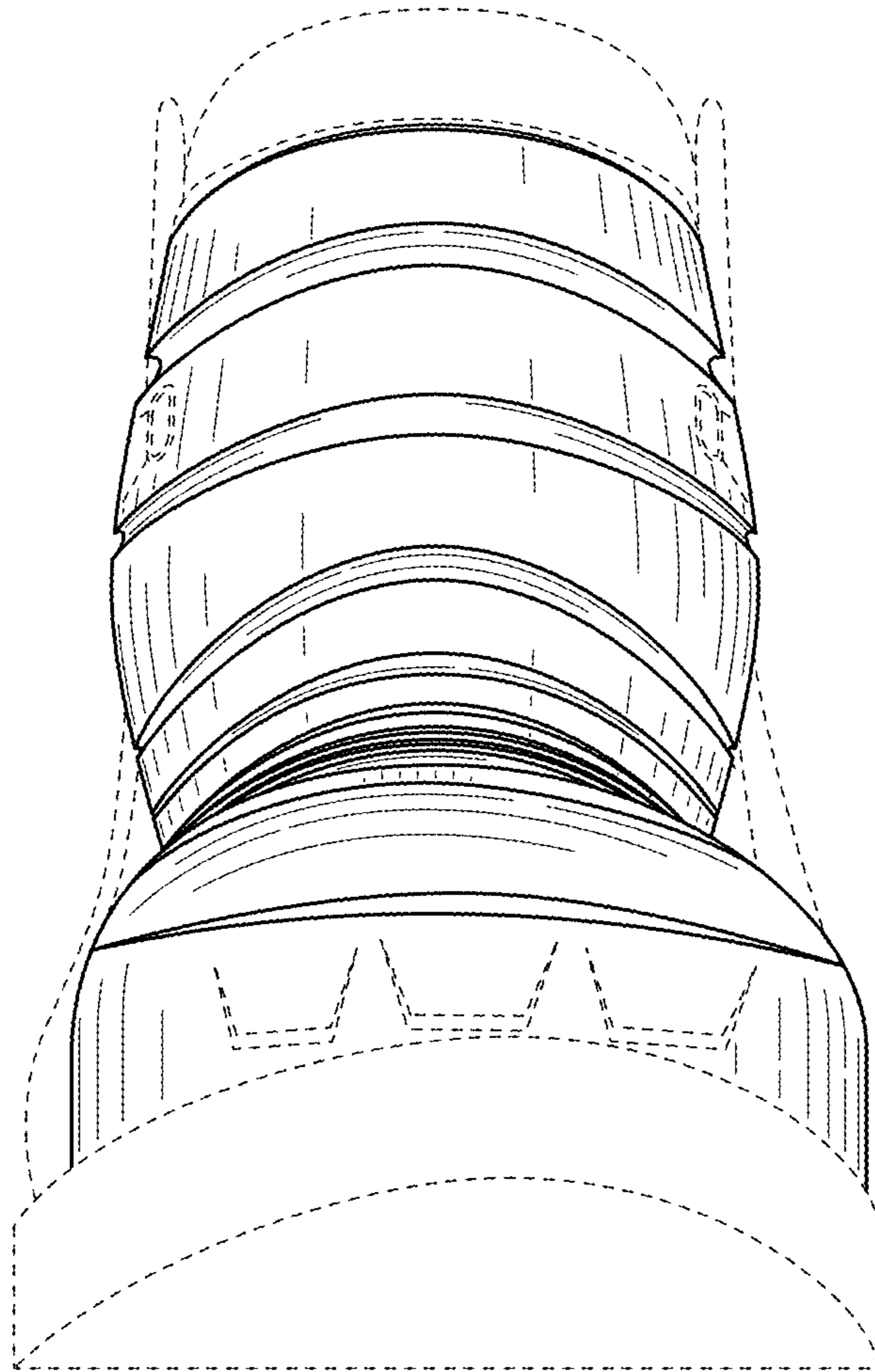


FIG. 17

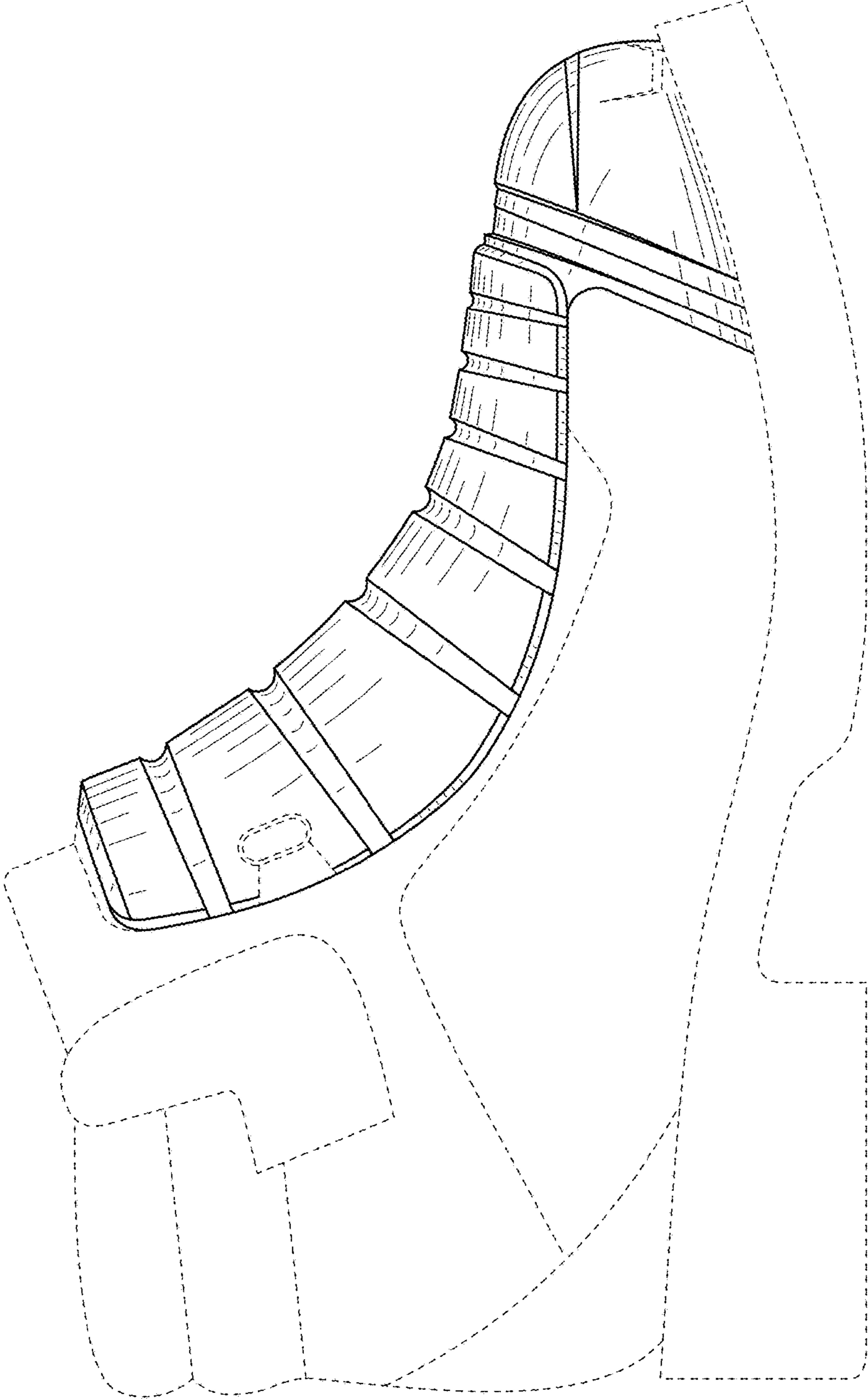


FIG. 18

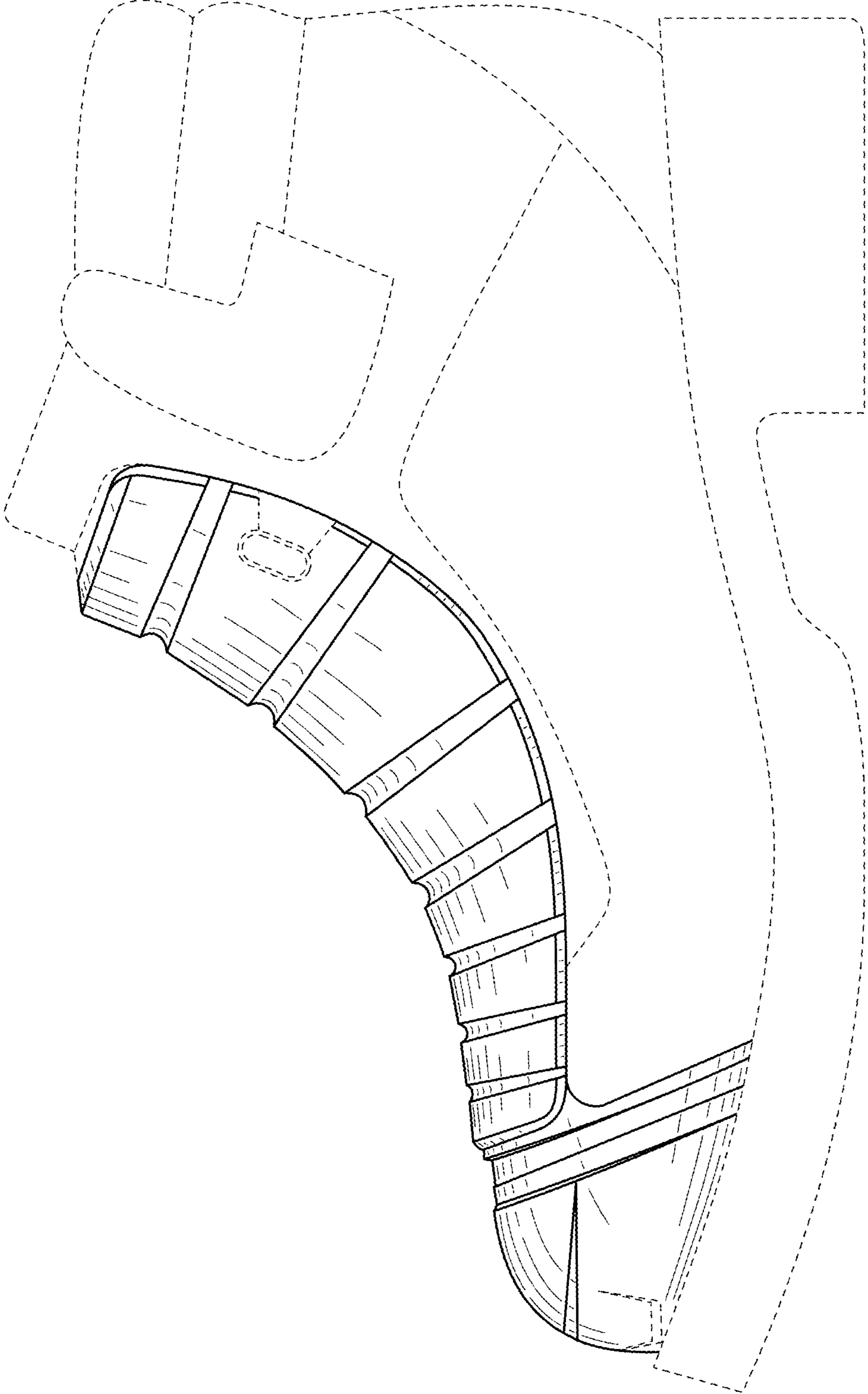


FIG. 19

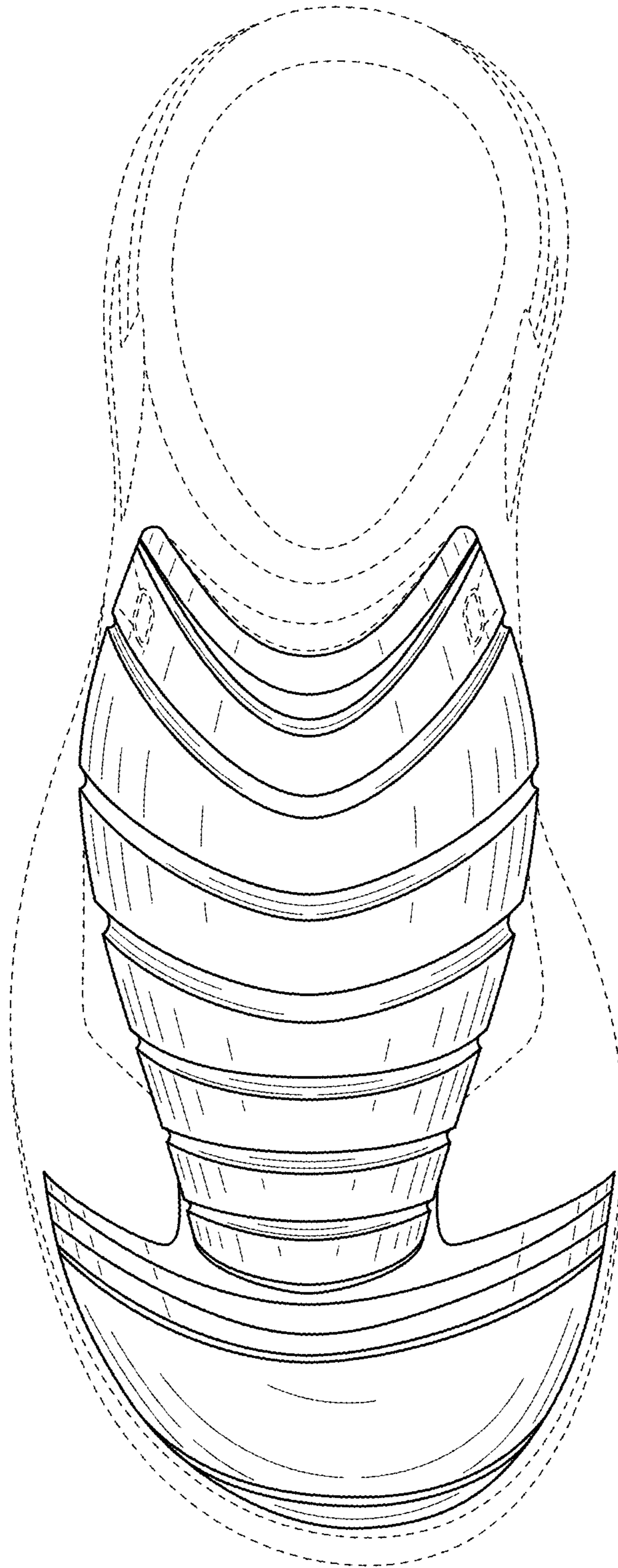


FIG. 20



FIG. 21

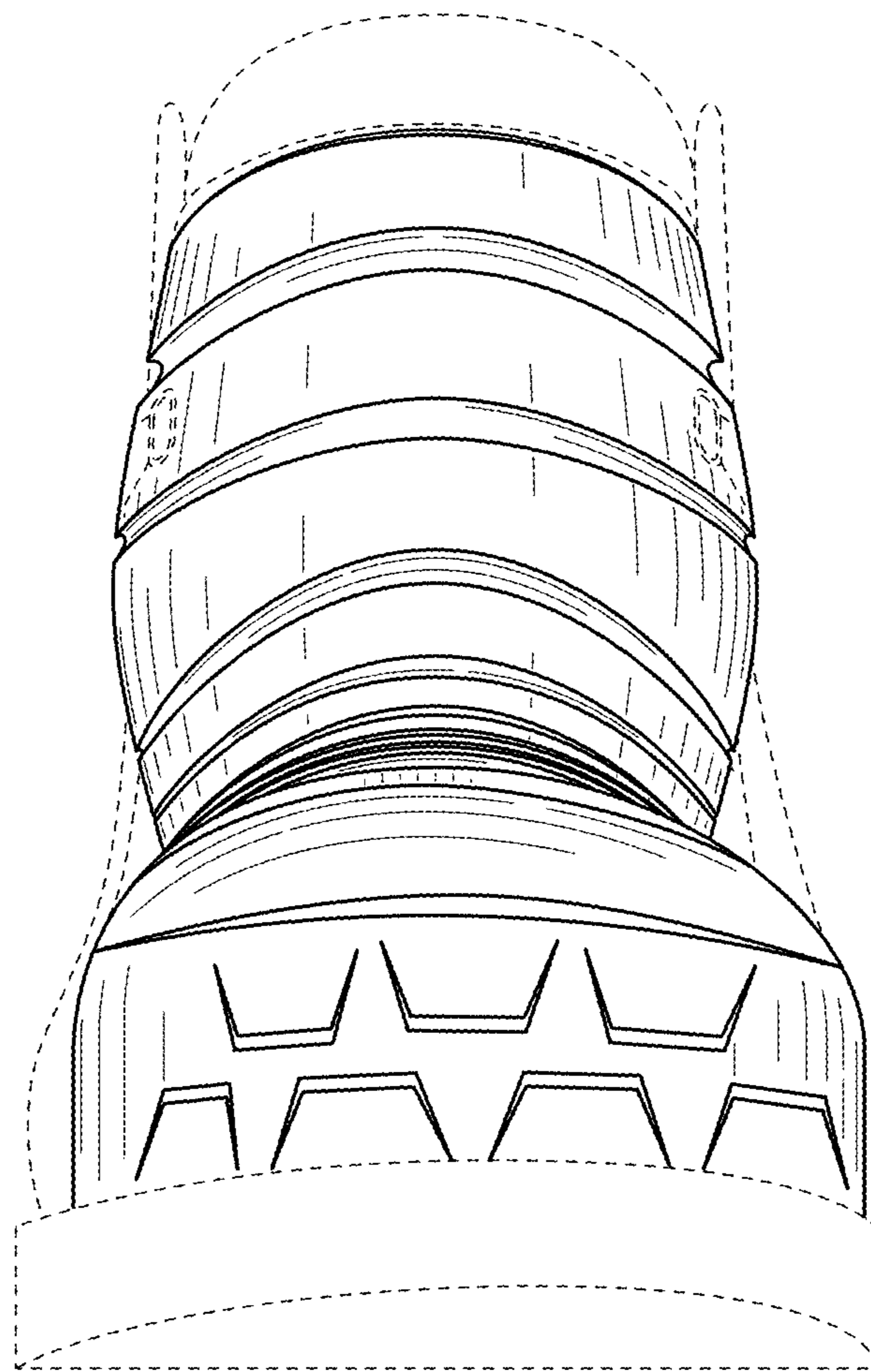


FIG. 22

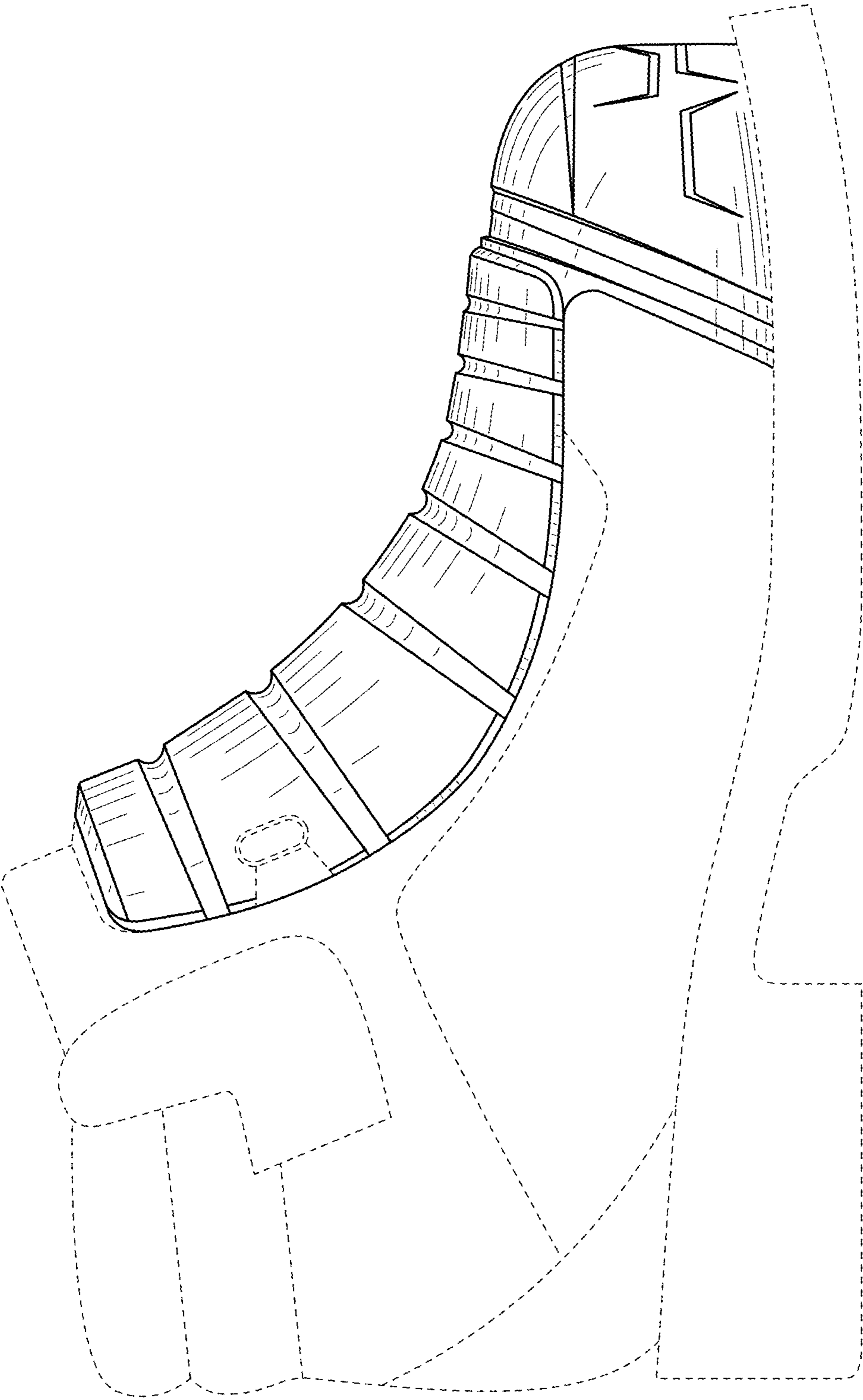


FIG. 23

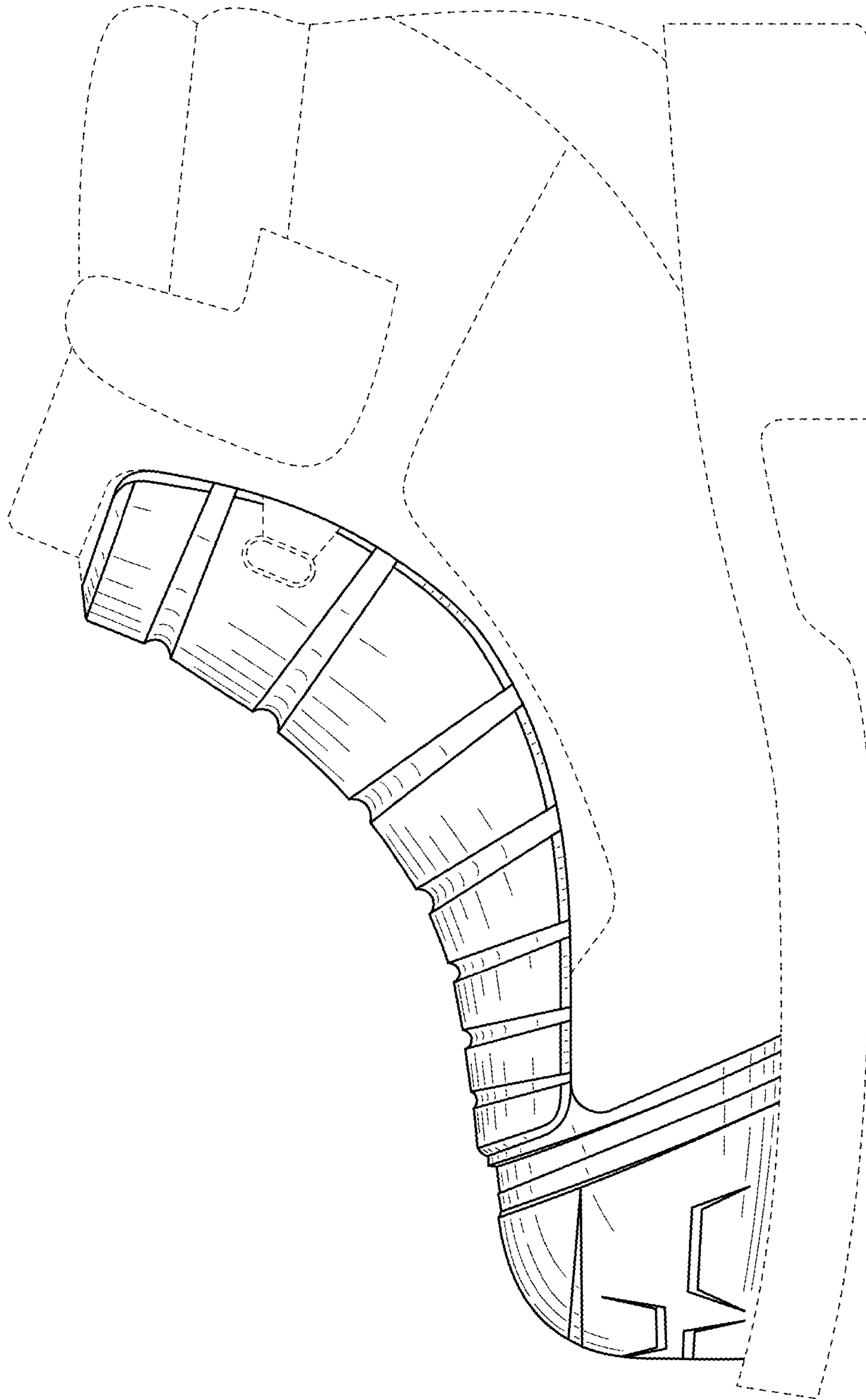


FIG. 24

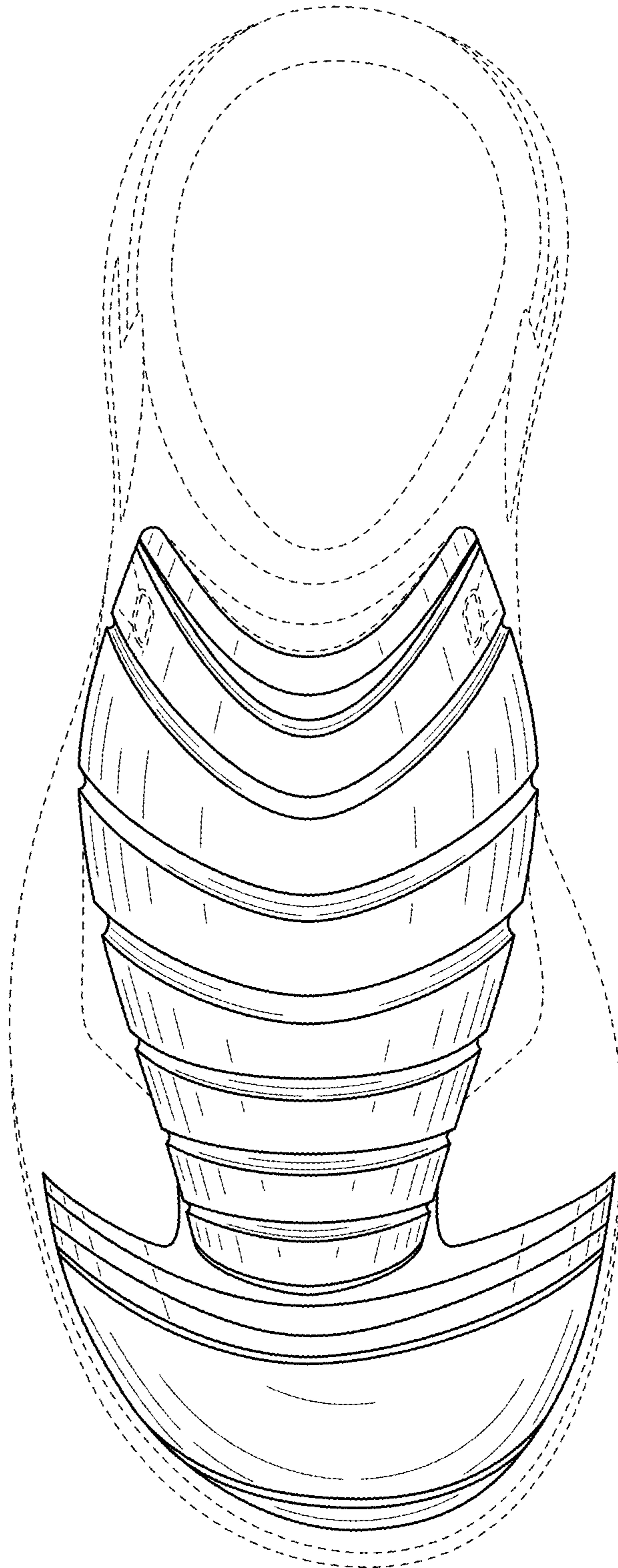


FIG. 25