



US00D838447S

(12) **United States Design Patent**  
**Clark**

(10) **Patent No.:** **US D838,447 S**

(45) **Date of Patent:** **\*\* Jan. 22, 2019**

(54) **SANDAL WITH DECORATIVE TILES**

(71) Applicant: **Sarah D. Clark**, Erie, PA (US)

(72) Inventor: **Sarah D. Clark**, Erie, PA (US)

(\*\*) Term: **15 Years**

(21) Appl. No.: **29/582,269**

(22) Filed: **Oct. 26, 2016**

(51) **LOC (11) Cl.** ..... **02-04**

(52) **U.S. Cl.**  
USPC ..... **D2/916; D2/919; D2/976**

(58) **Field of Classification Search**  
USPC ..... D2/896-900, 916-919, 946, 969, 976  
CPC .... A43B 3/12; A43B 3/10; A43B 3/00; A43B  
1/0081; A43B 3/24; A43B 3/0031; A43B  
3/101; A43B 3/102  
See application file for complete search history.

(56) **References Cited**

**U.S. PATENT DOCUMENTS**

D132,630 S *	6/1942	Pfeiffer .....	D2/916
2,801,477 A *	8/1957	Adams .....	A43B 3/0031 36/100
3,032,896 A *	5/1962	Weaver .....	A43B 3/24 36/101
4,621,441 A	11/1986	Wagner et al.	
5,331,753 A	7/1994	Rodibaugh	
5,359,790 A	11/1994	Iverson et al.	
D471,346 S *	3/2003	Bray, Jr. ....	D2/919
6,651,359 B1 *	11/2003	Bricker .....	A43B 3/24 36/101
6,769,204 B1 *	8/2004	Phillips .....	A43B 1/0081 36/100
D514,285 S *	2/2006	Jarmon Mouchi .....	D2/946
D516,280 S *	3/2006	Jarmon Mouchi .....	D2/946
D519,723 S *	5/2006	Jarmon Mouchi .....	D2/946
D521,213 S *	5/2006	Jarmon Mouchi .....	D2/946
D523,214 S *	6/2006	Jarmon Mouchi ..	A43B 1/0081 D2/946

D548,431 S *	8/2007	Jersey .....	D2/919
7,481,008 B2 *	1/2009	Lusk .....	A43B 3/0078 36/100
D634,105 S *	3/2011	Cheshire .....	D2/925
D644,416 S *	9/2011	Ma .....	D2/919
D648,118 S *	11/2011	Safdeye .....	A43B 3/0031 D2/917
D671,721 S *	12/2012	Reaux .....	A43B 3/24 D2/917
D683,935 S *	6/2013	Day .....	D2/917
D733,408 S *	7/2015	Franco .....	D2/917
D747,858 S *	1/2016	Andrade .....	D2/917
2002/0166258 A1	11/2002	Posa	
2005/0016028 A1	1/2005	Safdeye	
2005/0172519 A1	8/2005	Cook-Euell	

(Continued)

*Primary Examiner* — Rashida C. Walshon  
(74) *Attorney, Agent, or Firm* — Cramer Patent & Design, PLLC; Aaron R. Cramer

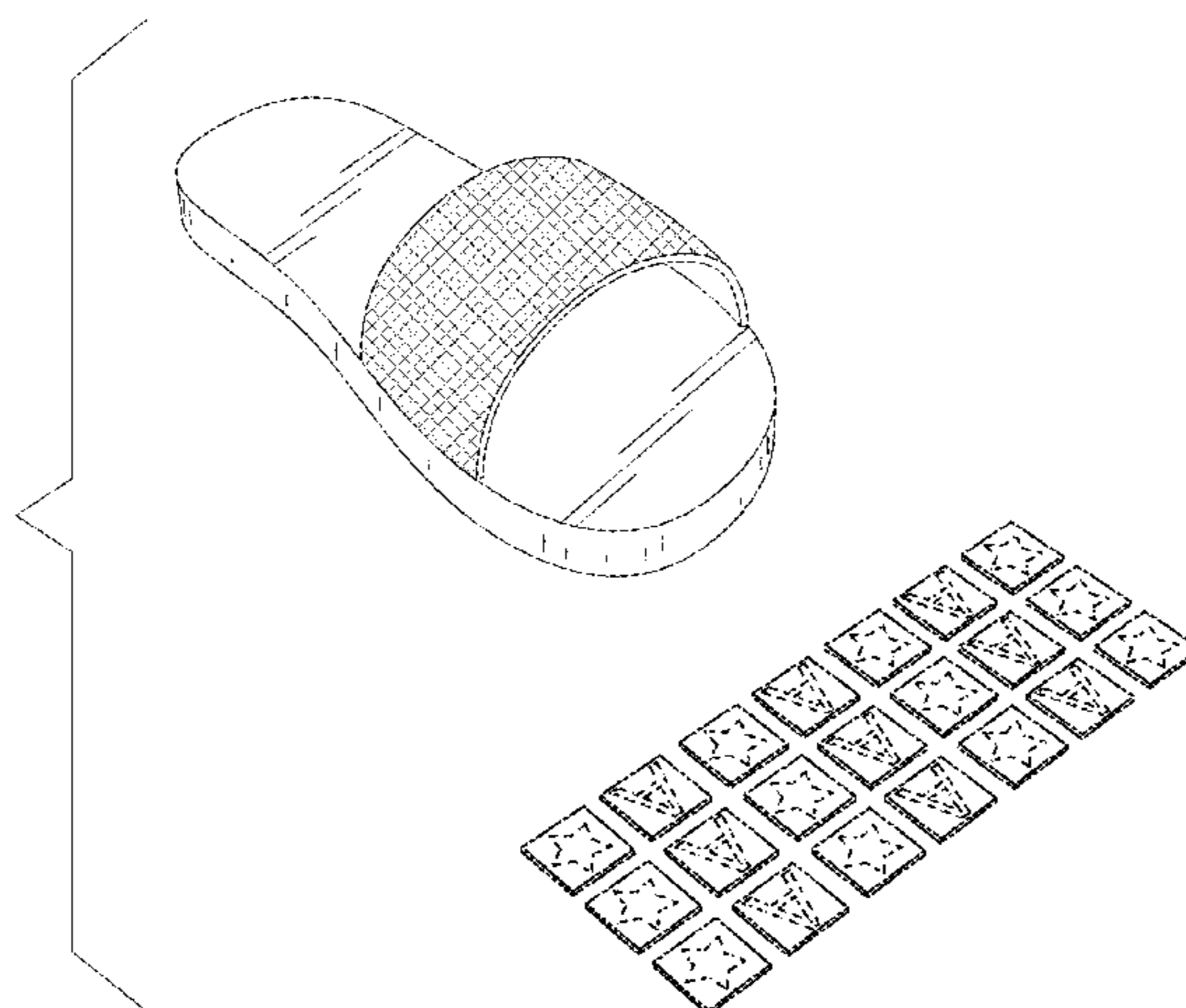
(57) **CLAIM**

The ornamental design for a sandal with decorative tiles, as shown and described.

**DESCRIPTION**

FIG. 1 is a top front side perspective view of a sandal with decorative tiles detached, the other sandal not shown being a mirror image thereof;  
FIG. 2 is a front side elevation view thereof;  
FIG. 3 is a rear side elevation view thereof;  
FIG. 4 is a right-side elevation view thereof;  
FIG. 5 is a left-side elevation view thereof;  
FIG. 6 is a top side plan view thereof; and,  
FIG. 7 is a bottom side plan view thereof.  
The broken lines are utilized to illustrate suggested indicia or art and are not part of the claimed design.  
The shading on the top side surface of the sandal strap and underside surface of the tiles are indicative of respective portions of hook and loop material.

**1 Claim, 7 Drawing Sheets**



(56)

**References Cited**

U.S. PATENT DOCUMENTS

2007/0130805 A1 6/2007 Brady et al.  
2011/0113654 A1 5/2011 Chew

\* cited by examiner

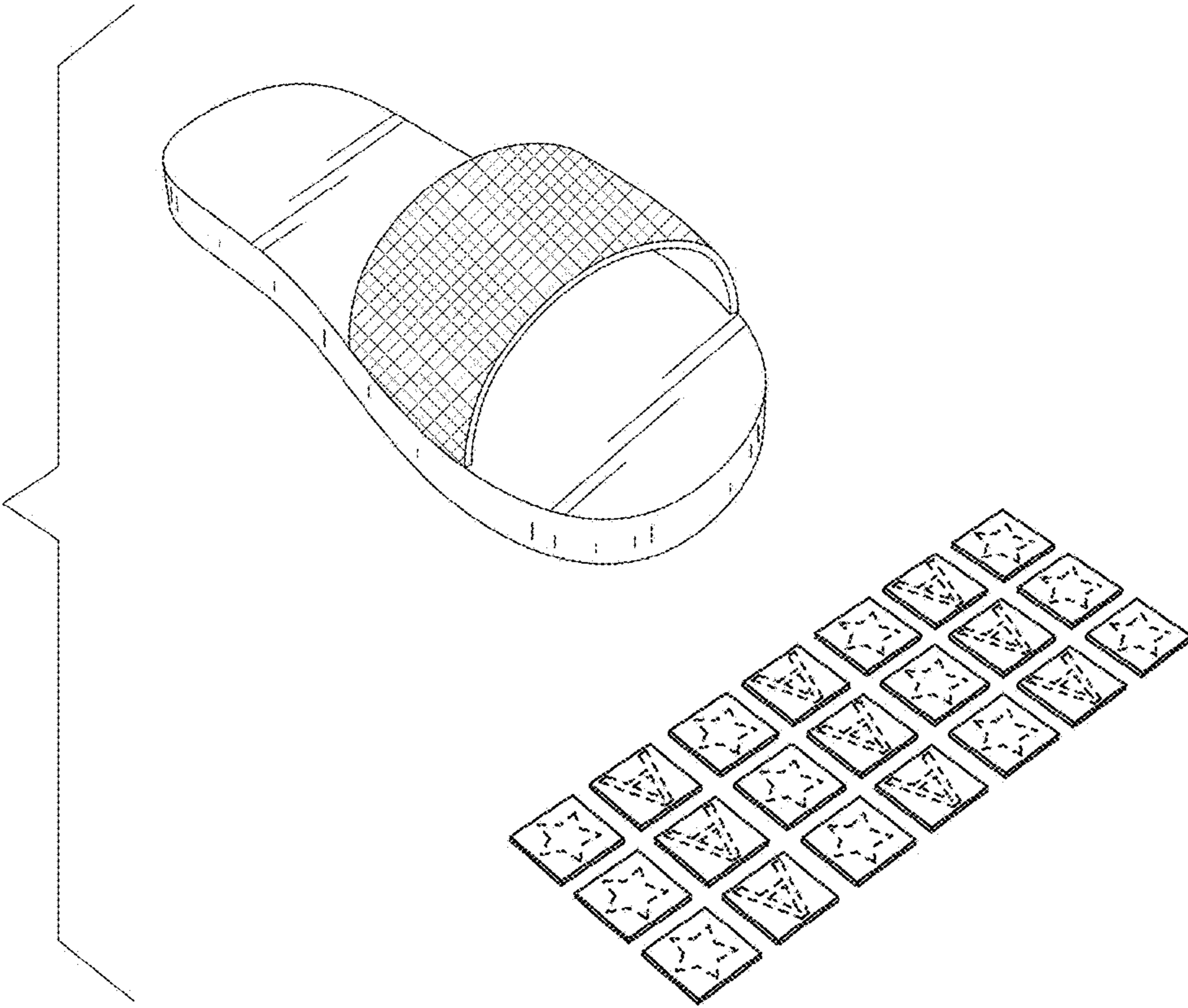


FIG. 1

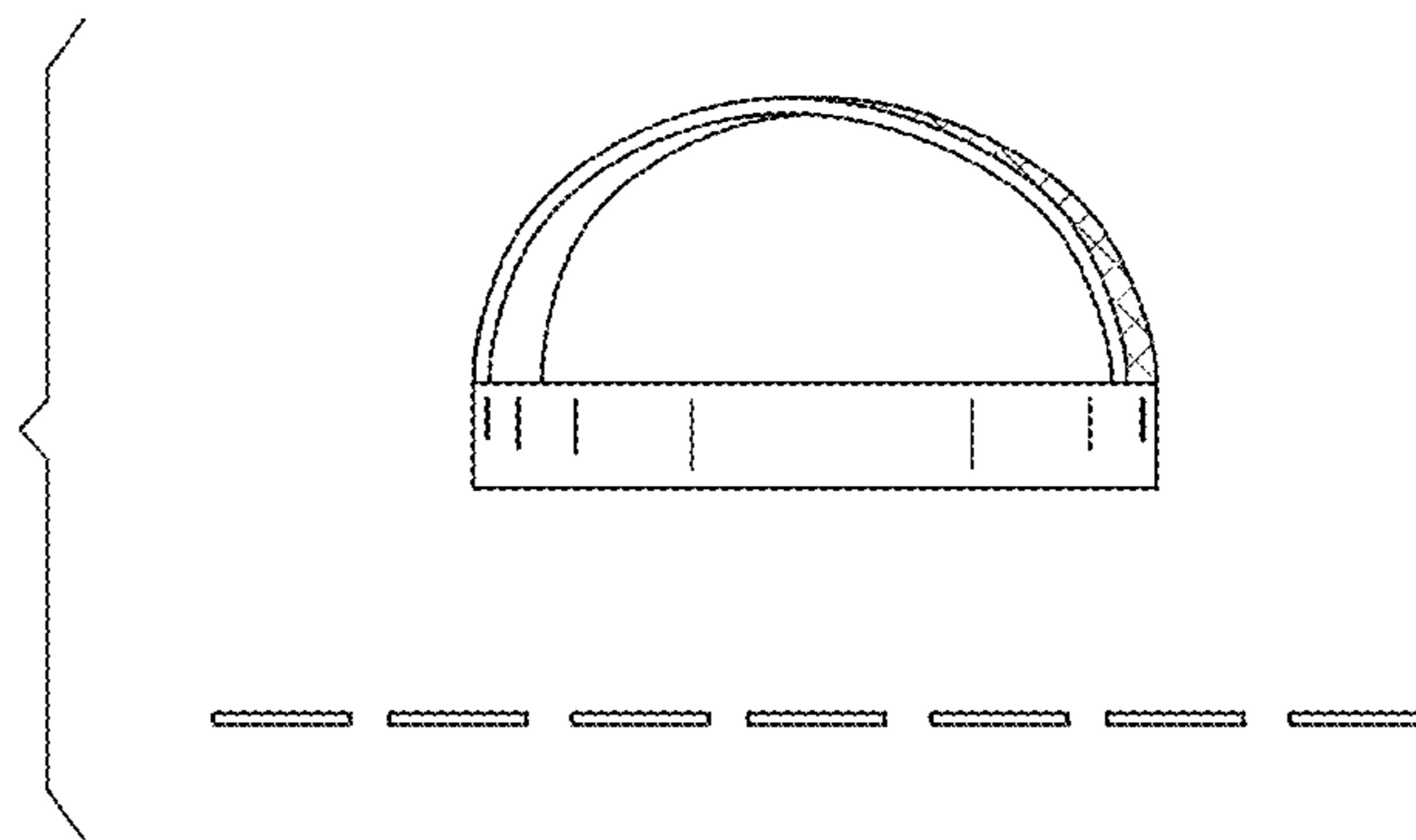


FIG. 2

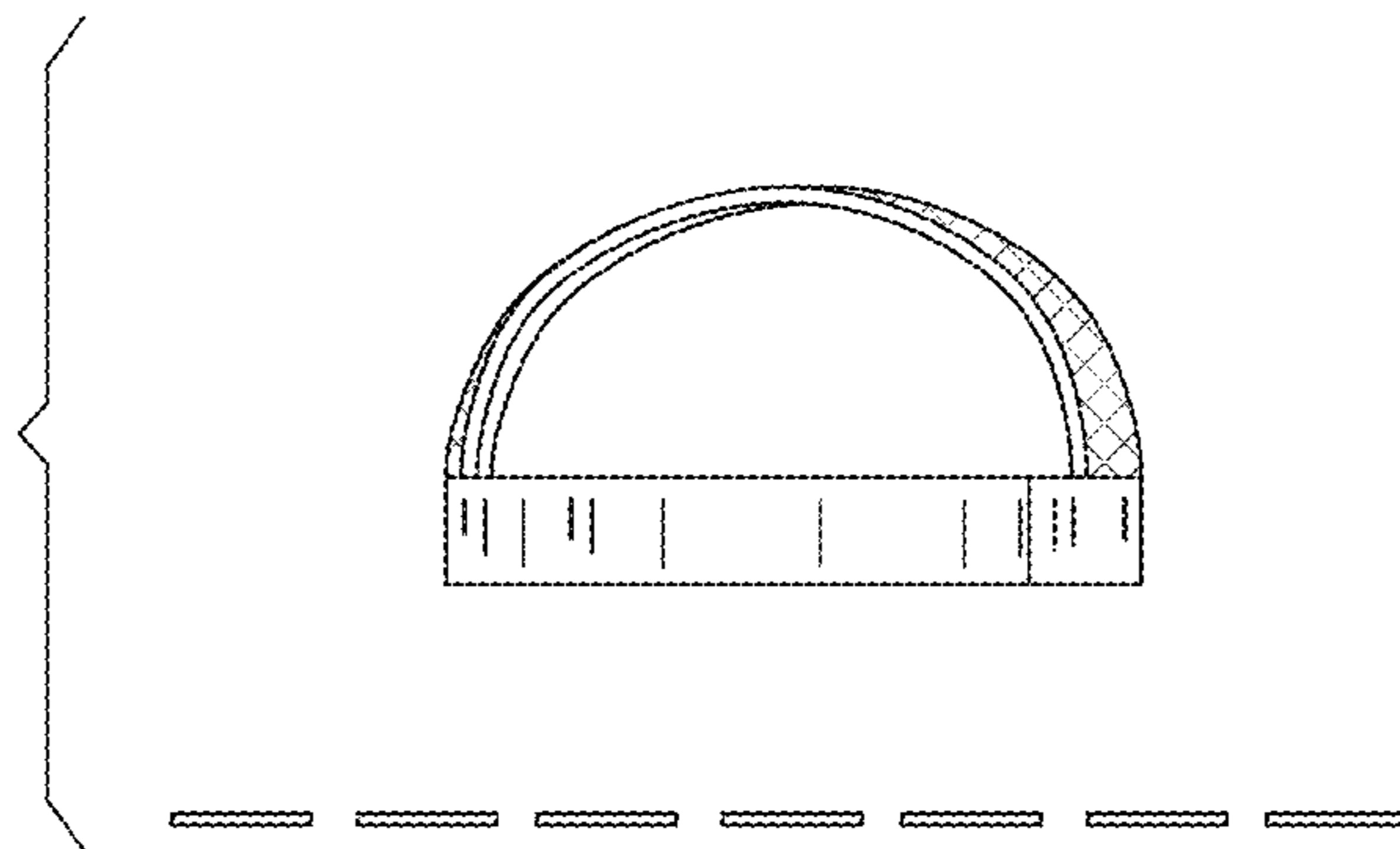


FIG. 3

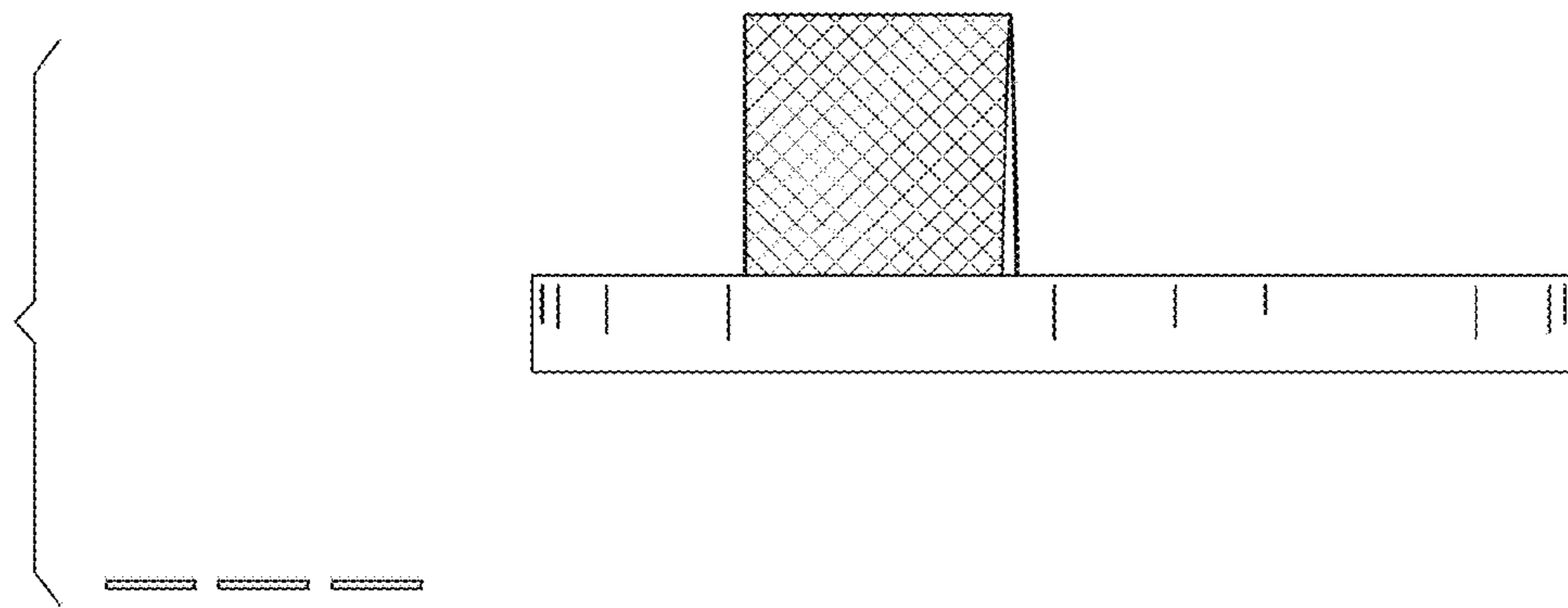


FIG. 4

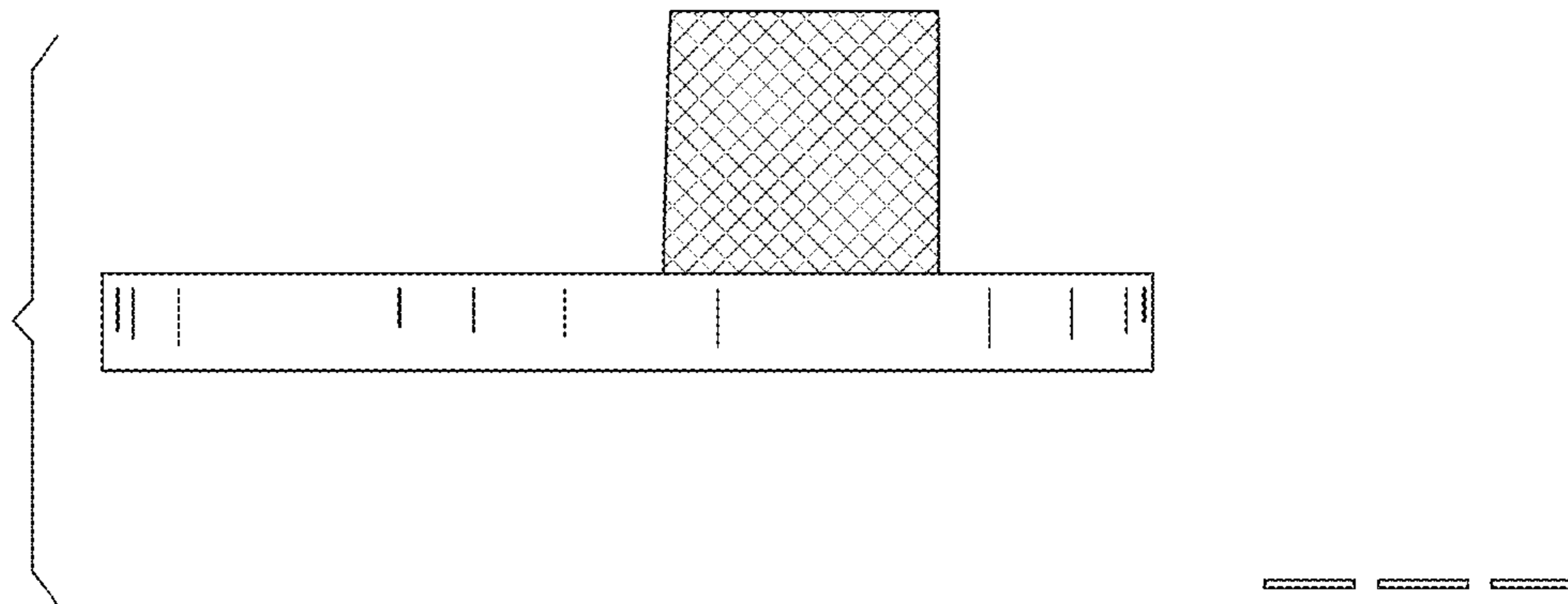


FIG. 5

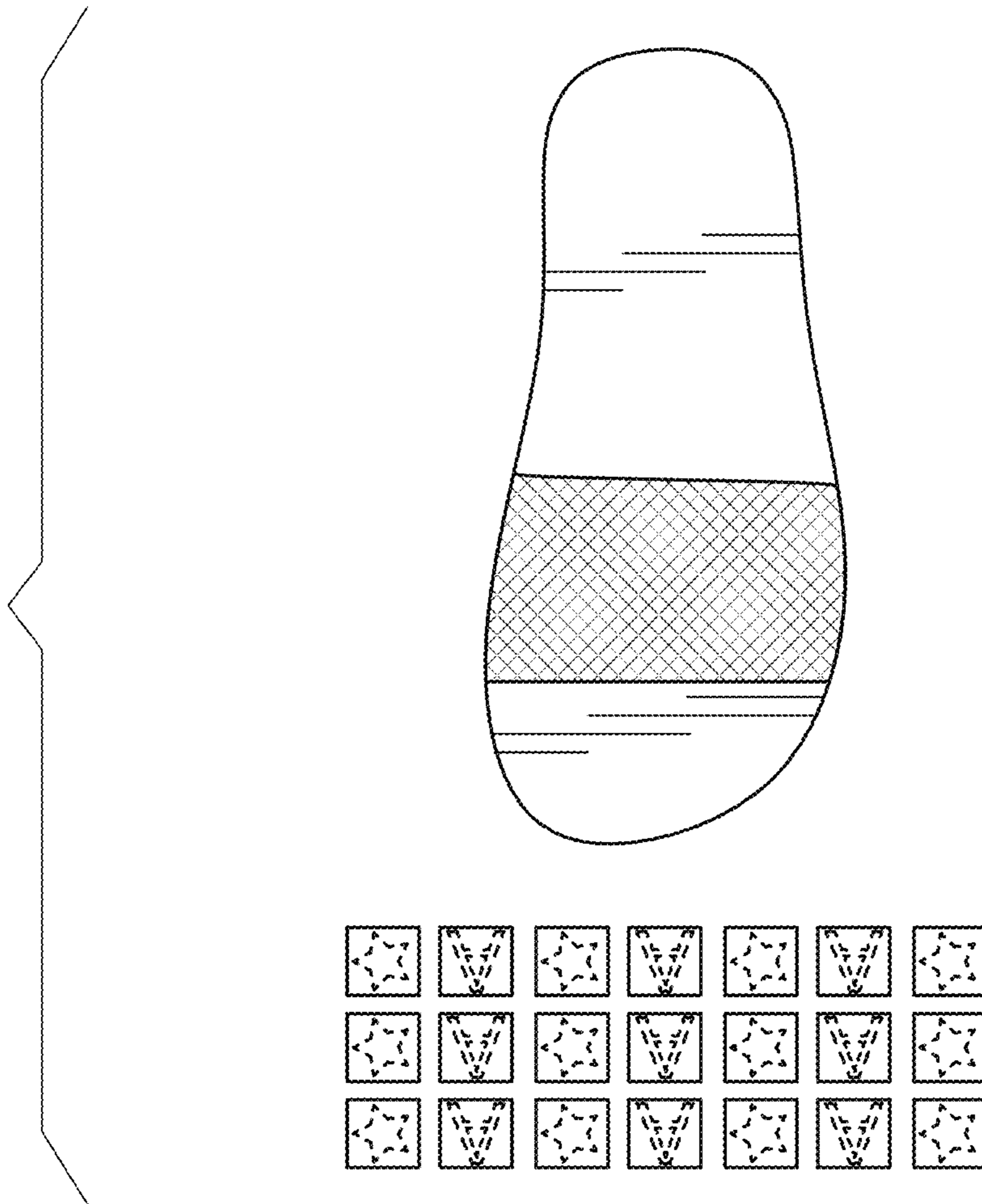


FIG. 6



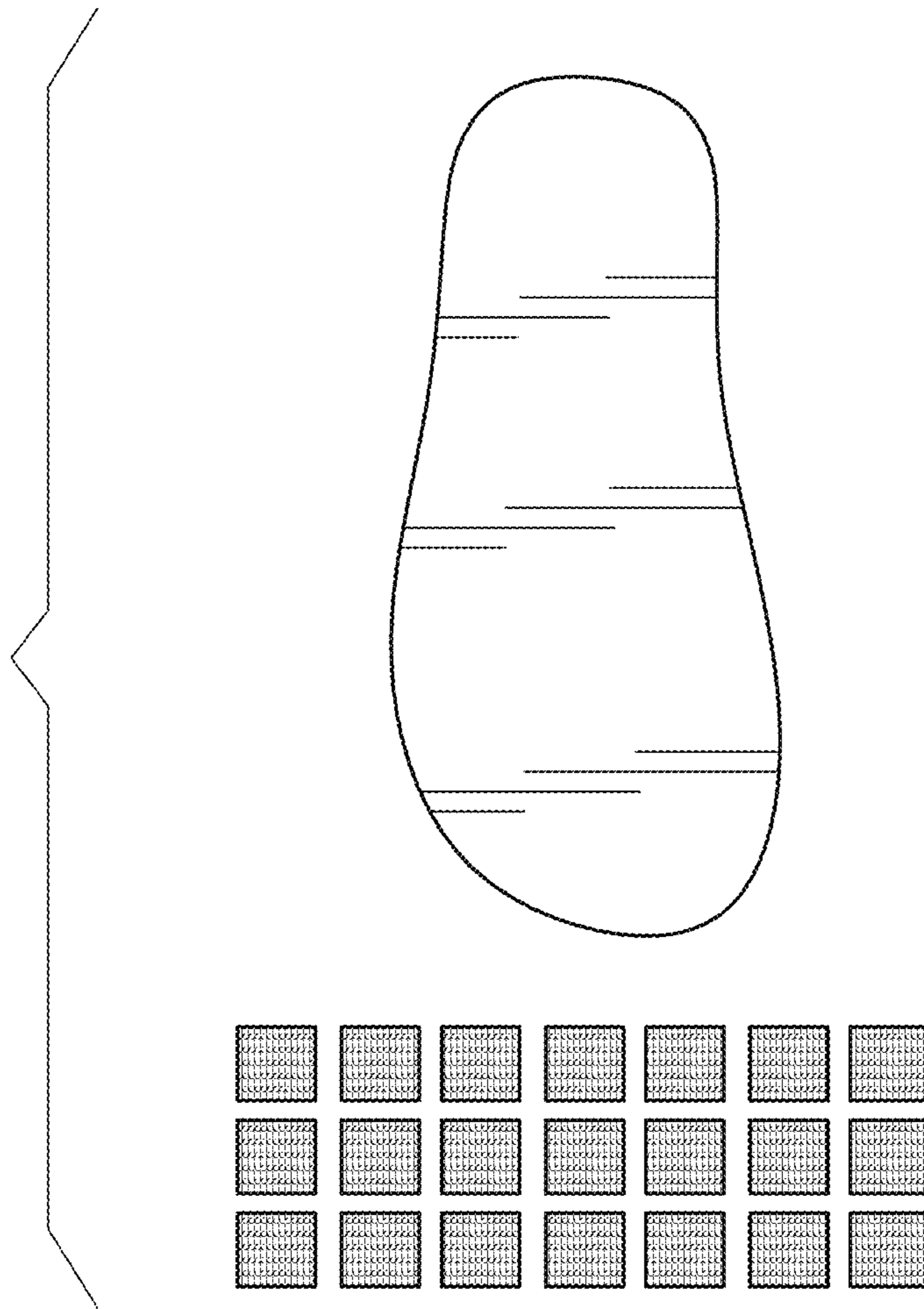


FIG. 7