



US00D838441S

(12) **United States Design Patent**
Romo

(10) **Patent No.:** **US D838,441 S**

(45) **Date of Patent:** **** Jan. 22, 2019**

- (54) **STYLIZED BILL OF A CAP**
- (71) Applicant: **Rosa Romo**, San Antonio, TX (US)
- (72) Inventor: **Rosa Romo**, San Antonio, TX (US)
- (**) Term: **15 Years**
- (21) Appl. No.: **29/574,039**
- (22) Filed: **Aug. 11, 2016**
- (51) **LOC (11) Cl.** **02-03**
- (52) **U.S. Cl.**
USPC **D2/893**
- (58) **Field of Classification Search**
USPC D2/865, 866, 869, 870, 872, 876, 879,
D2/882, 883, 884, 891, 893, 895
CPC A42B 1/00; A42B 1/002; A42B 1/004;
A42B 1/006; A42B 1/02; A42B 1/062;
A42B 1/064; A42B 1/206; A42B 1/241;
A42C 1/06; A42C 5/00
See application file for complete search history.

| | | | | |
|-------------------|---------|------------|-------|-----------------------|
| D540,512 S * | 4/2007 | Chesser | | D2/882 |
| D552,331 S * | 10/2007 | Saveliev | | D2/893 |
| D553,331 S * | 10/2007 | Henson | | D2/869 |
| D592,834 S * | 5/2009 | Keiser | | D2/884 |
| D627,956 S * | 11/2010 | Scott, Jr. | | D2/893 |
| D636,563 S * | 4/2011 | Keiser | | D2/893 |
| D656,714 S * | 4/2012 | Schmelzer | | D2/893 |
| D711,990 S * | 8/2014 | Roberts | | D21/754 |
| 2006/0143793 A1 * | 7/2006 | Liao | | A42B 1/063 2/195.6 |

* cited by examiner

Primary Examiner — Karen E Eldridge Powers
Assistant Examiner — Jasmine Mlinarcik
(74) *Attorney, Agent, or Firm* — Eric A. Hinojosa

(57) **CLAIM**

I claim the ornamental design for a stylized bill of a cap, as shown and described.

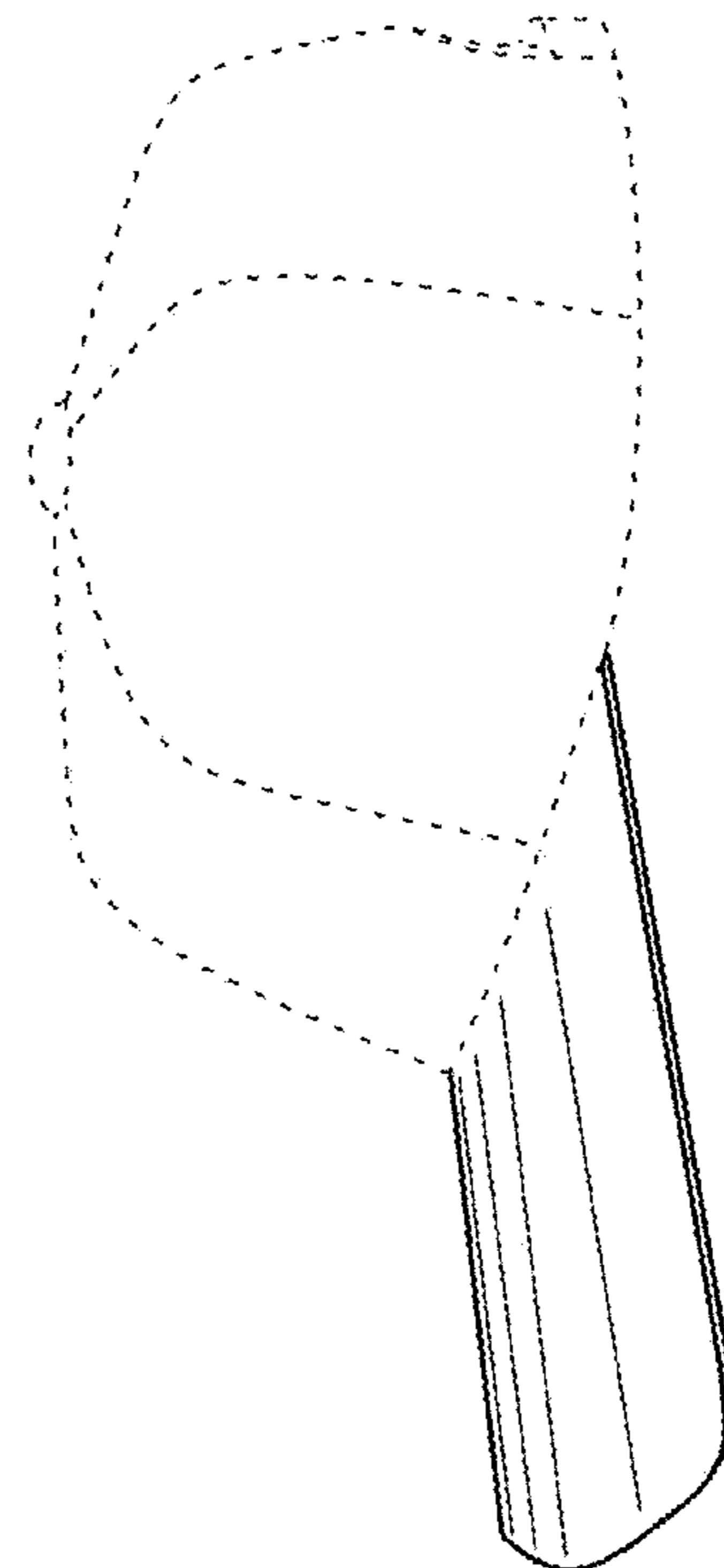
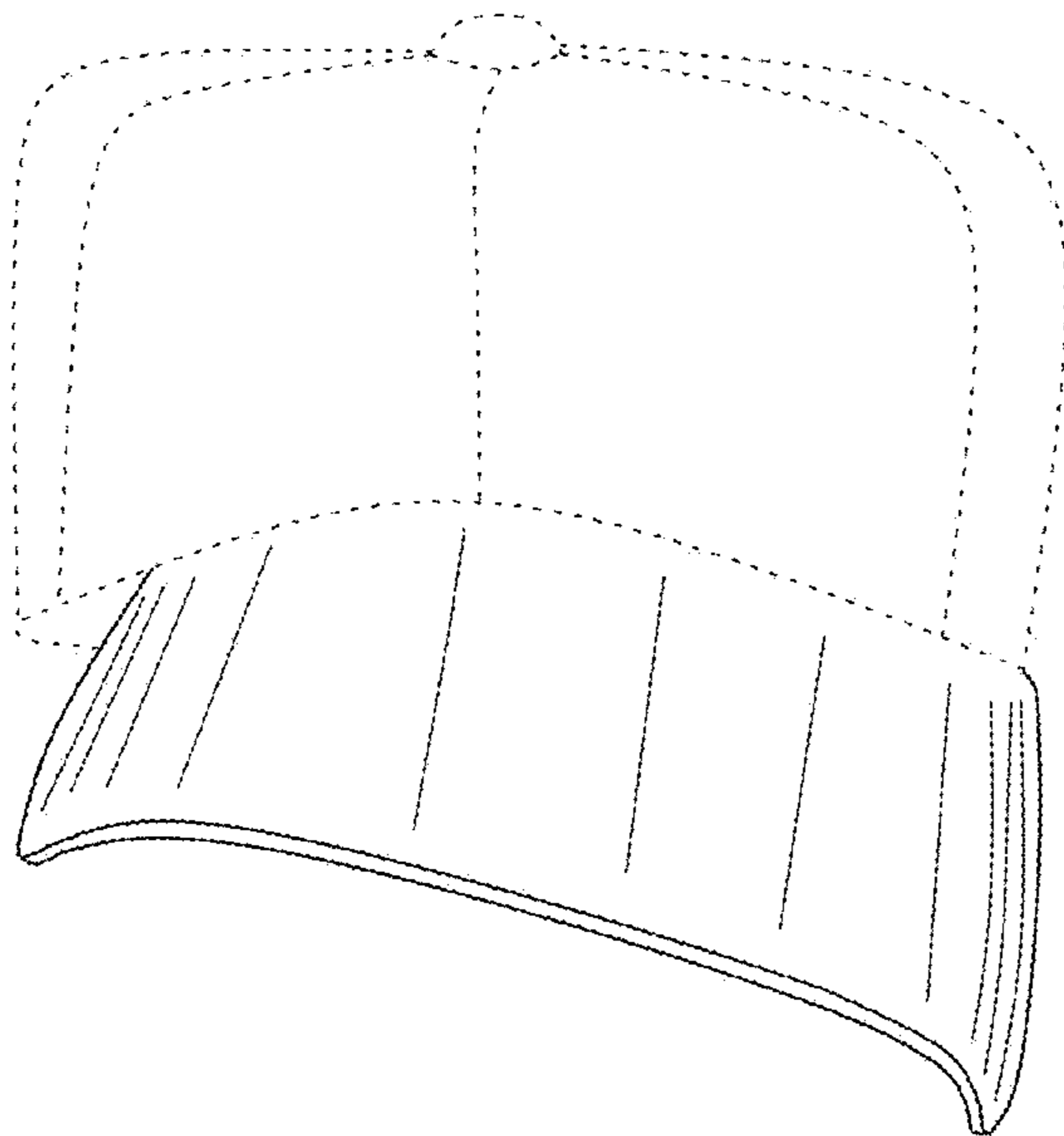
DESCRIPTION

FIG. 1 is a front perspective view of a stylized bill of a cap; FIG. 2 is a top plan view thereof; FIG. 3 is a left side elevation view thereof; and, FIG. 4 is a right side elevation view thereof. The broken lines represent environmental structures that form no part of the claimed design.

1 Claim, 4 Drawing Sheets

(56) **References Cited**
U.S. PATENT DOCUMENTS

| | | | | |
|----------------|---------|------------------|-------|--------------------|
| D136,539 S * | 10/1943 | Jones | | D2/876 |
| D302,608 S * | 8/1989 | LaPierre | | D2/893 |
| D530,487 S * | 10/2006 | Alvarez-Calderon | | D2/882 |
| 7,152,251 B2 * | 12/2006 | Yan | | A42B 1/201 2/12 |



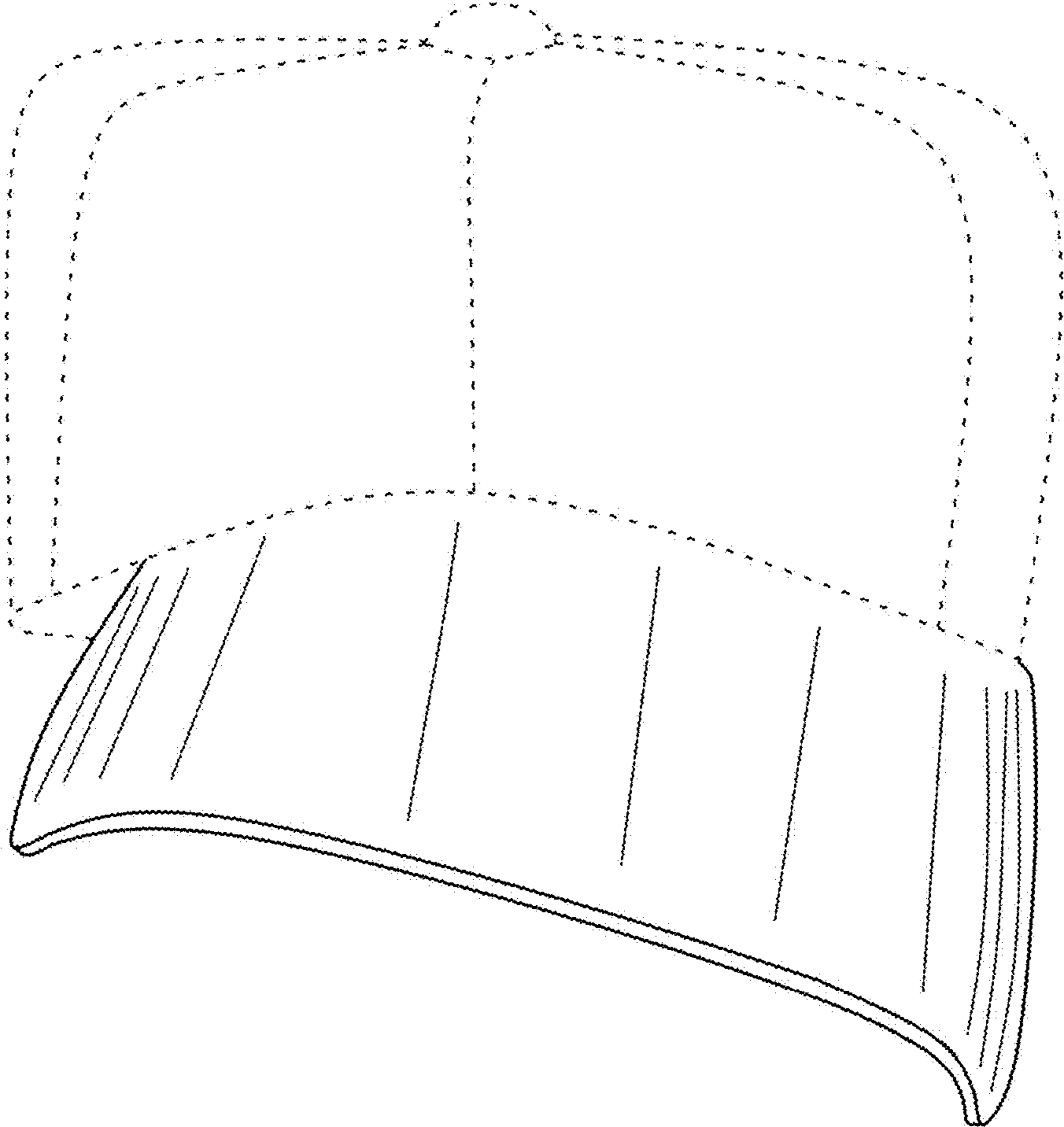


FIG. 1

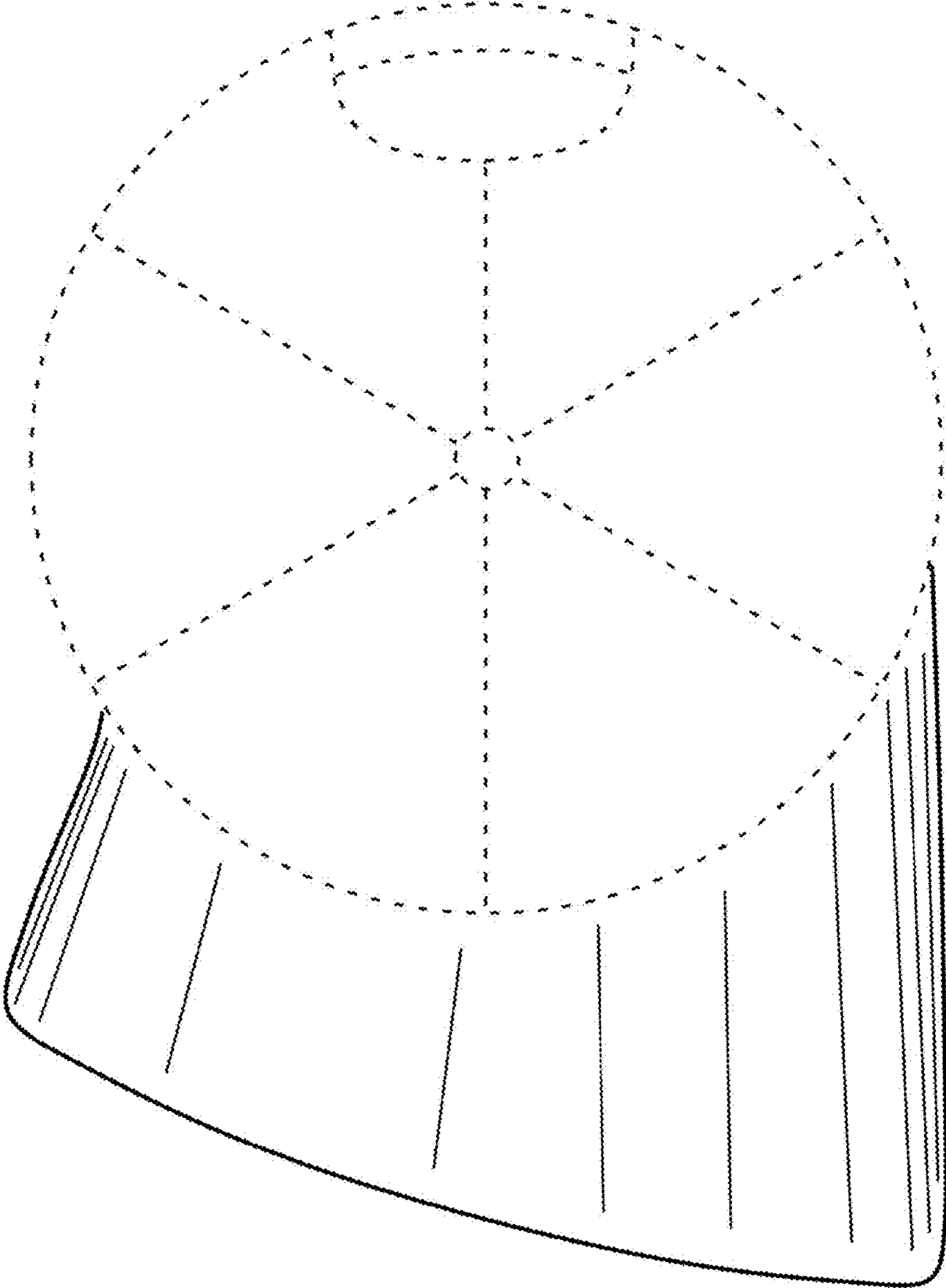


FIG. 2

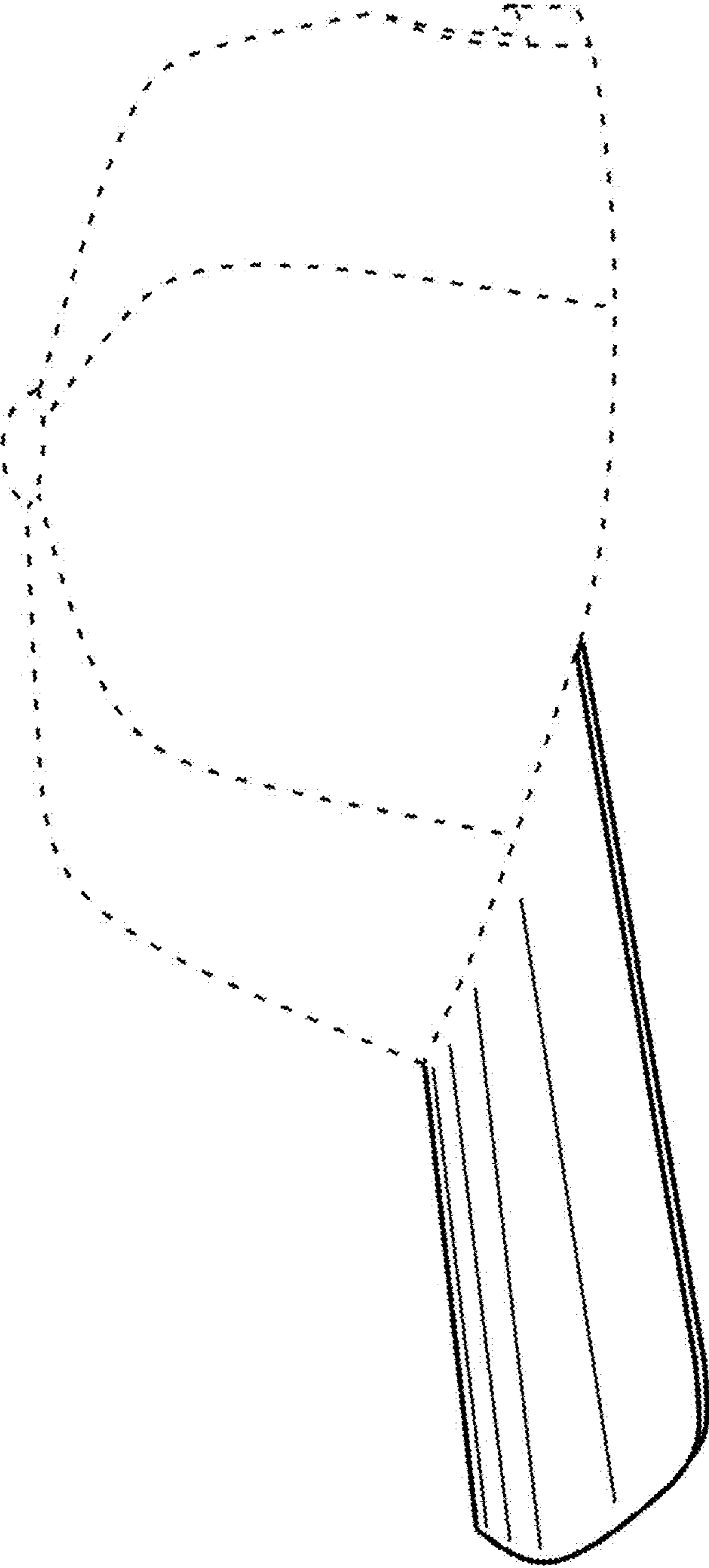


FIG. 3

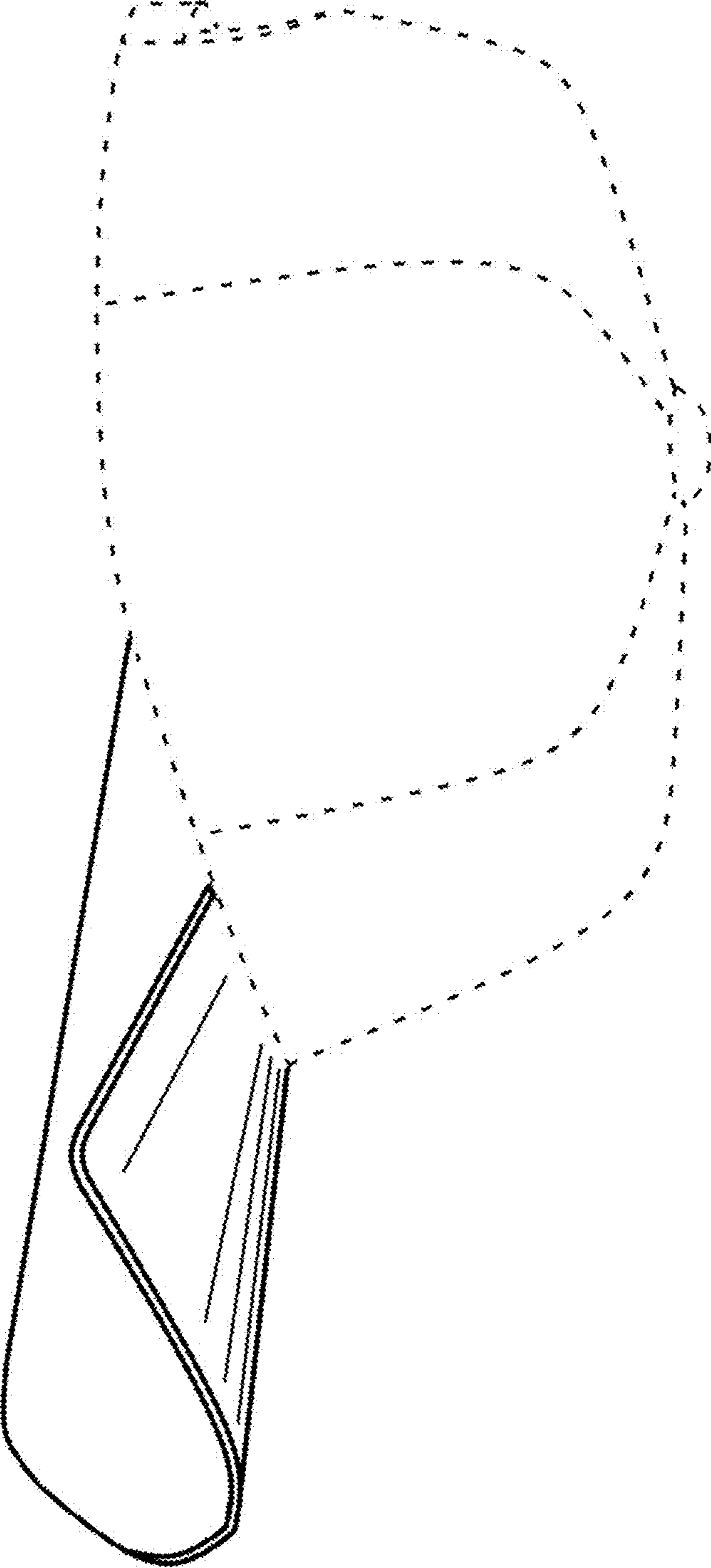


FIG. 4