



US00D838440S

(12) **United States Design Patent** (10) **Patent No.:** **US D838,440 S**
Posner (45) **Date of Patent:** **** Jan. 22, 2019**

(54) **SHIRT COLLAR**

(71) Applicant: **Harriet Posner**, Beverly Hills, CA (US)

(72) Inventor: **Harriet Posner**, Beverly Hills, CA (US)

(**) Term: **15 Years**

(21) Appl. No.: **29/559,738**

(22) Filed: **Mar. 30, 2016**

(51) **LOC (11) Cl.** **02-02**

(52) **U.S. Cl.**
USPC **D2/840; D2/602**

(58) **Field of Classification Search**
USPC D2/500, 600, 602, 604, 605, 608, 609,
D2/840, 842, 853, 854, 860; D11/202;
2/127

(Continued)

(56) **References Cited**

U.S. PATENT DOCUMENTS

692,146 A * 1/1902 Kiene A41D 25/027
2/155
712,763 A * 11/1902 Burt A41D 1/02
2/95

(Continued)

Primary Examiner — Karen E Eldridge Powers

Assistant Examiner — Jasmine Mlinarcik

(74) *Attorney, Agent, or Firm* — Bakos & Kritzer

(57) **CLAIM**

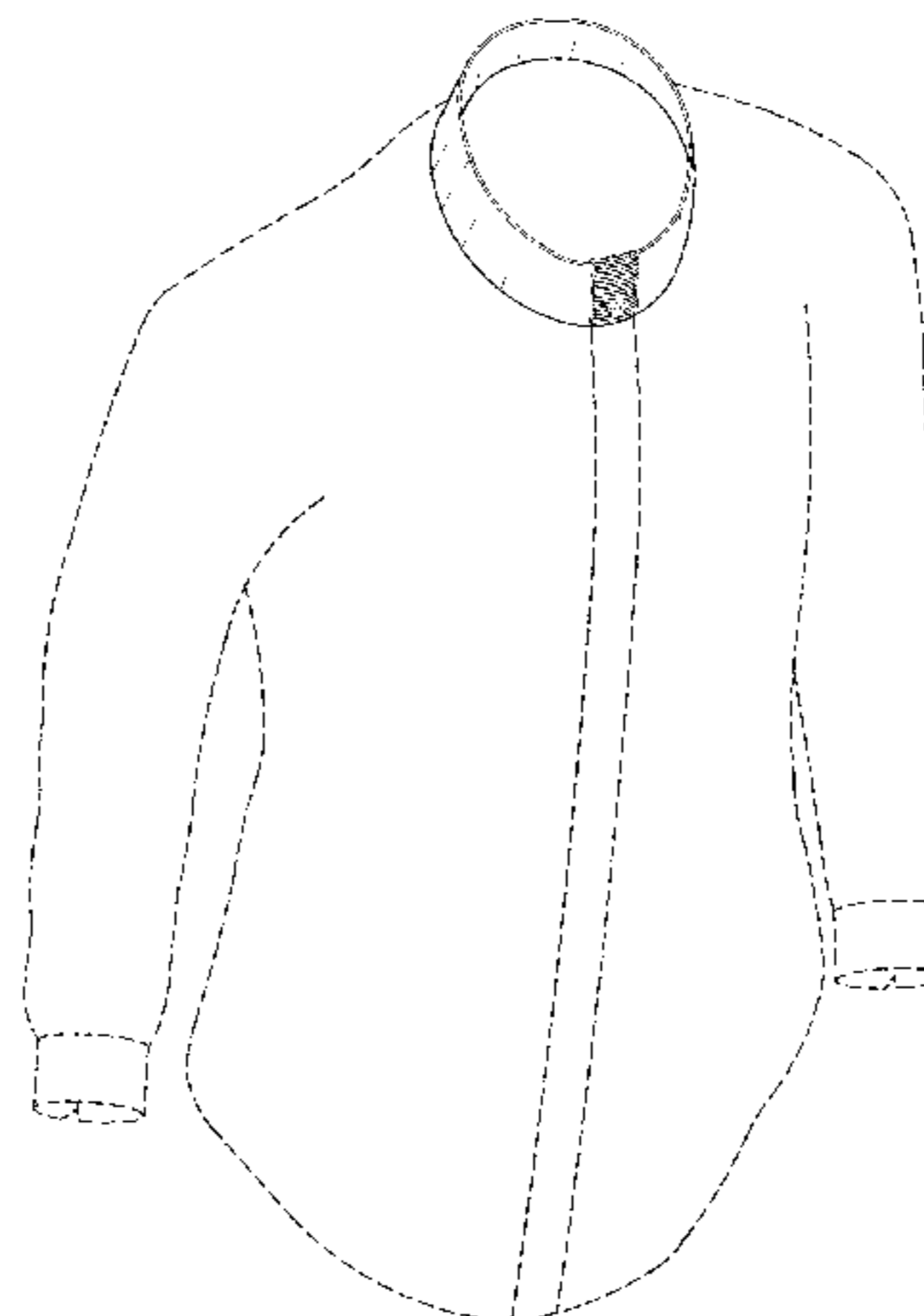
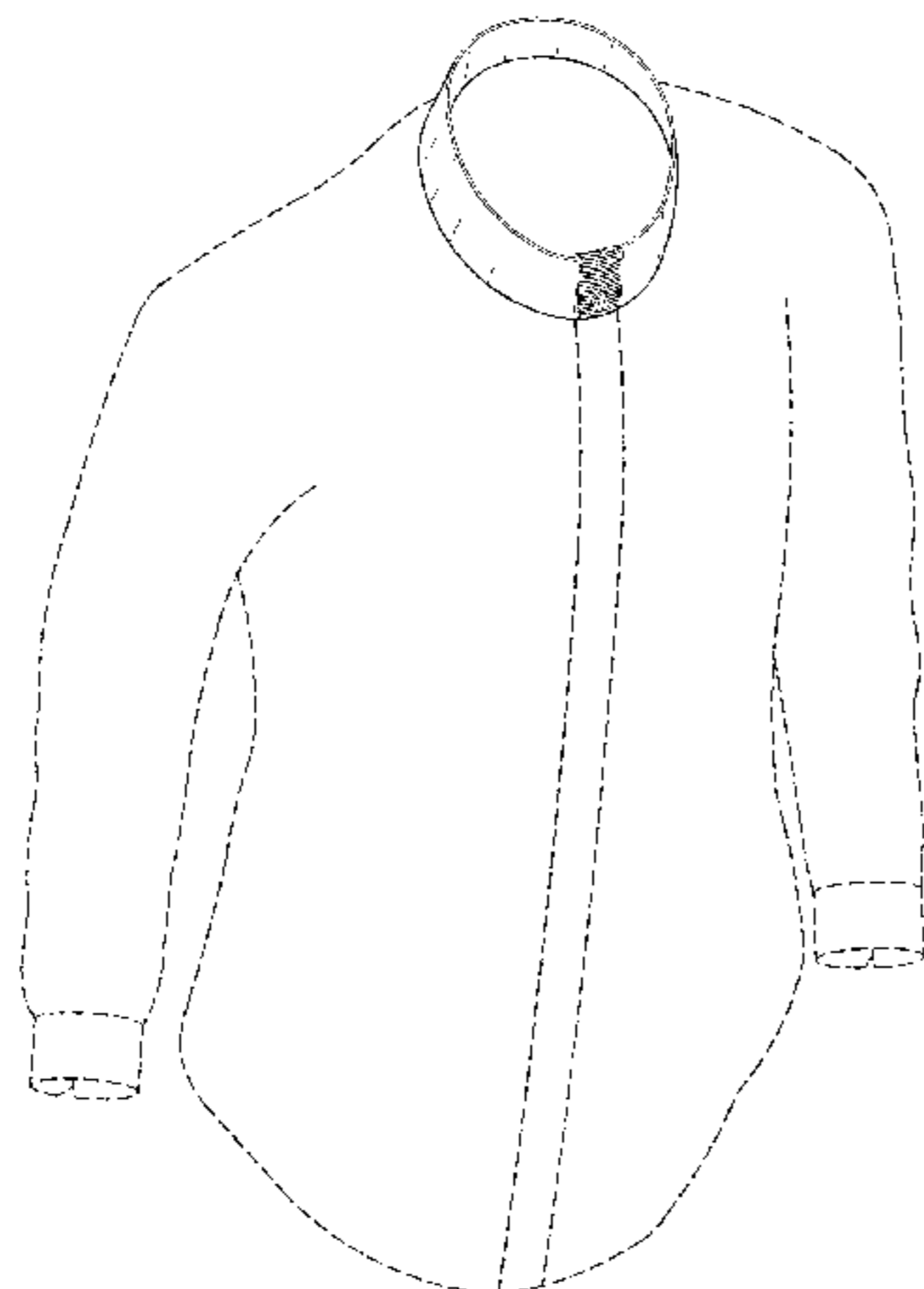
The ornamental design for a shirt collar, as shown and described.

DESCRIPTION

FIG. 1 is a front perspective view of a shirt collar showing my new design;

FIG. 2 is an enlarged view of the button panel shown in FIG. 1;
FIG. 3 is a back perspective view thereof;
FIG. 4 is an enlarged view of the button panel shown in FIG. 3;
FIG. 5 is a front elevation view thereof;
FIG. 6 is an enlarged view of the button panel shown in FIG. 5;
FIG. 7 is a back elevation view thereof;
FIG. 8 is a right side elevation view thereof;
FIG. 9 is an enlarged view of the button panel shown in FIG. 8;
FIG. 10 is a left side elevation view thereof;
FIG. 11 is an enlarged view of the button panel shown in FIG. 10;
FIG. 12 is a top plan view thereof;
FIG. 13 is an enlarged view of the button panel shown in FIG. 12;
FIG. 14 is a bottom plan view thereof;
FIG. 15 is a front perspective view of an alternative embodiment;
FIG. 16 is an enlarged view of the button panel shown in FIG. 15;
FIG. 17 is a back perspective view thereof;
FIG. 18 is an enlarged view of the button panel shown in FIG. 17;
FIG. 19 is a front elevation view thereof;
FIG. 20 is an enlarged view of the button panel shown in FIG. 19;
FIG. 21 is a back elevation view thereof;
FIG. 22 is a right side elevation view thereof;
FIG. 23 is an enlarged view of the button panel shown in FIG. 22;
FIG. 24 is a left side elevation view thereof;
FIG. 25 is an enlarged view of the button panel shown in FIG. 24;
FIG. 26 is a top plan view thereof;
FIG. 27 is an enlarged view of the button panel shown in FIG. 26; and,
FIG. 28 is a bottom plan view thereof.
The broken lines shown in the drawings represent environmental structure that forms no part of the claimed design.

1 Claim, 14 Drawing Sheets



(58) **Field of Classification Search**

CPC A41B 1/00; A41B 1/08; A41B 1/12; A41B
1/14; A41B 1/16; A41B 3/00; A41B
3/005; A41B 3/02; A41B 3/06; A41B
3/14; A41B 3/16; A41D 25/00; A41D
25/001; A41D 27/16; A41D 27/18; A44B
6/00

See application file for complete search history.

(56) **References Cited**

U.S. PATENT DOCUMENTS

D56,982 S * 1/1921 Leibold D2/854
1,419,696 A * 6/1922 Smith A41B 3/02
24/342.1
D230,663 S * 3/1974 Fowler D2/854
D403,837 S * 1/1999 Glennie D2/853
D482,845 S * 12/2003 Dornbierer D2/602
D555,326 S * 11/2007 Brown D2/602
D714,525 S * 10/2014 Payne D2/828
D732,793 S * 6/2015 Blaine D2/602

* cited by examiner

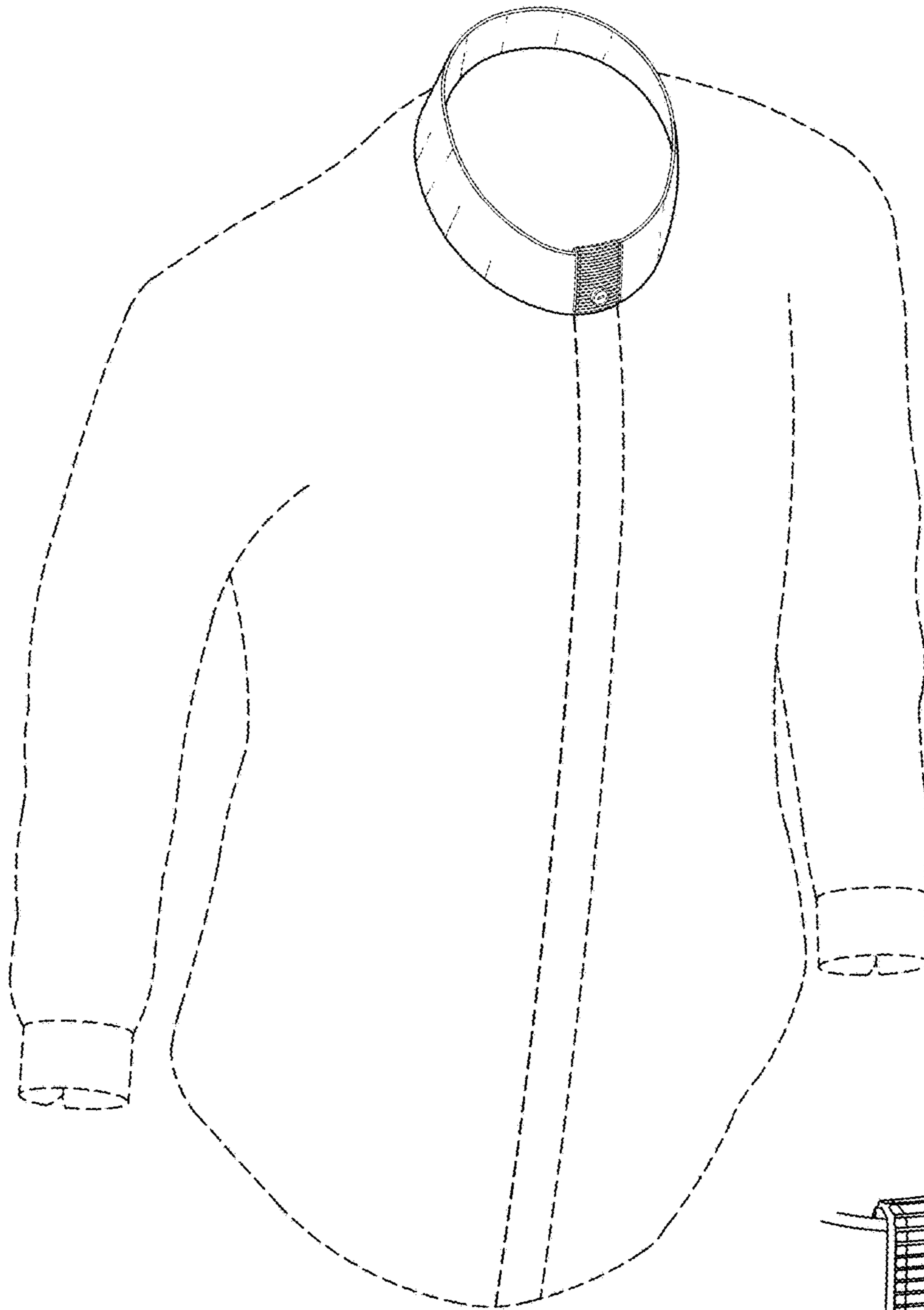


FIG. 1

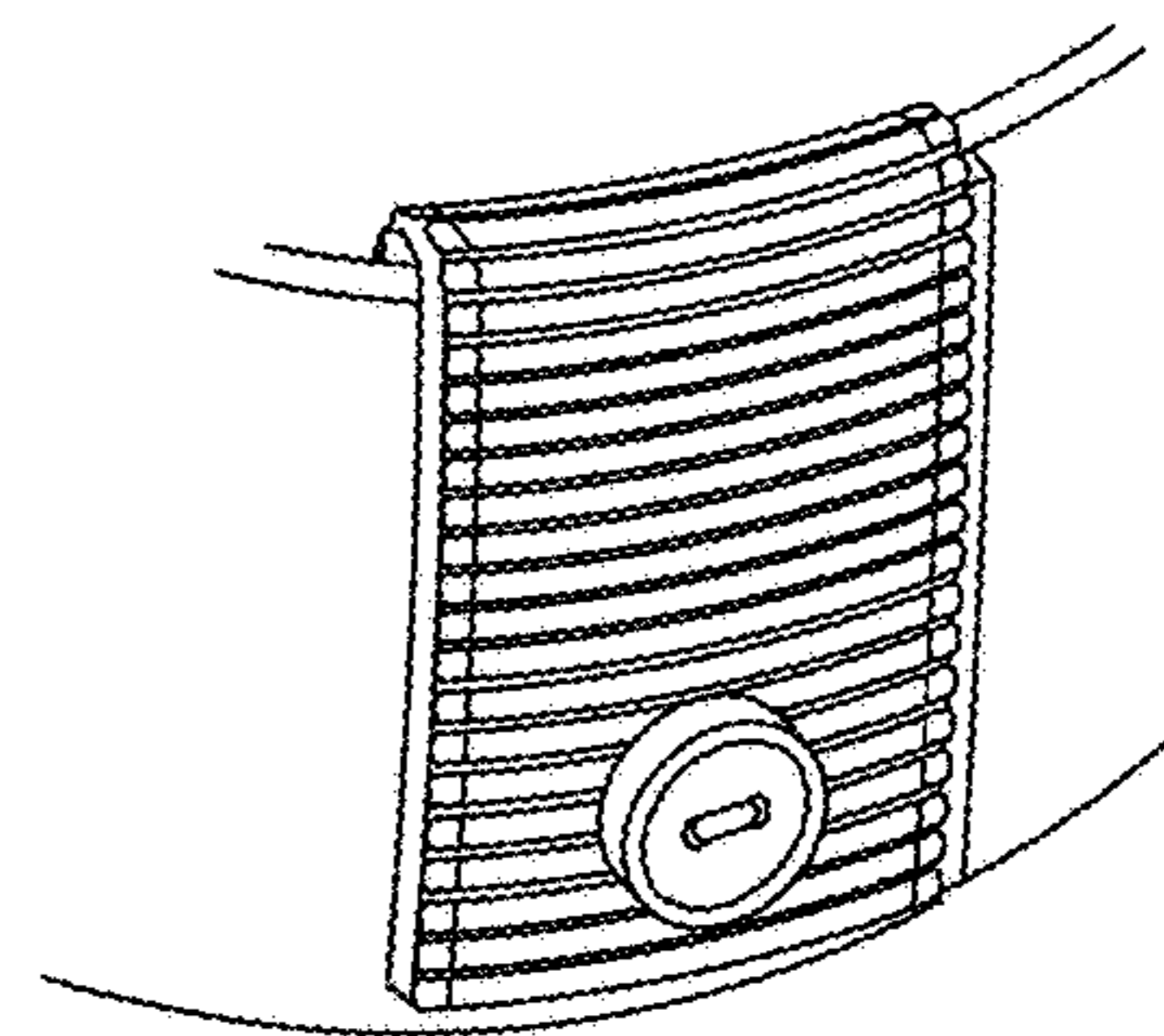


FIG. 2

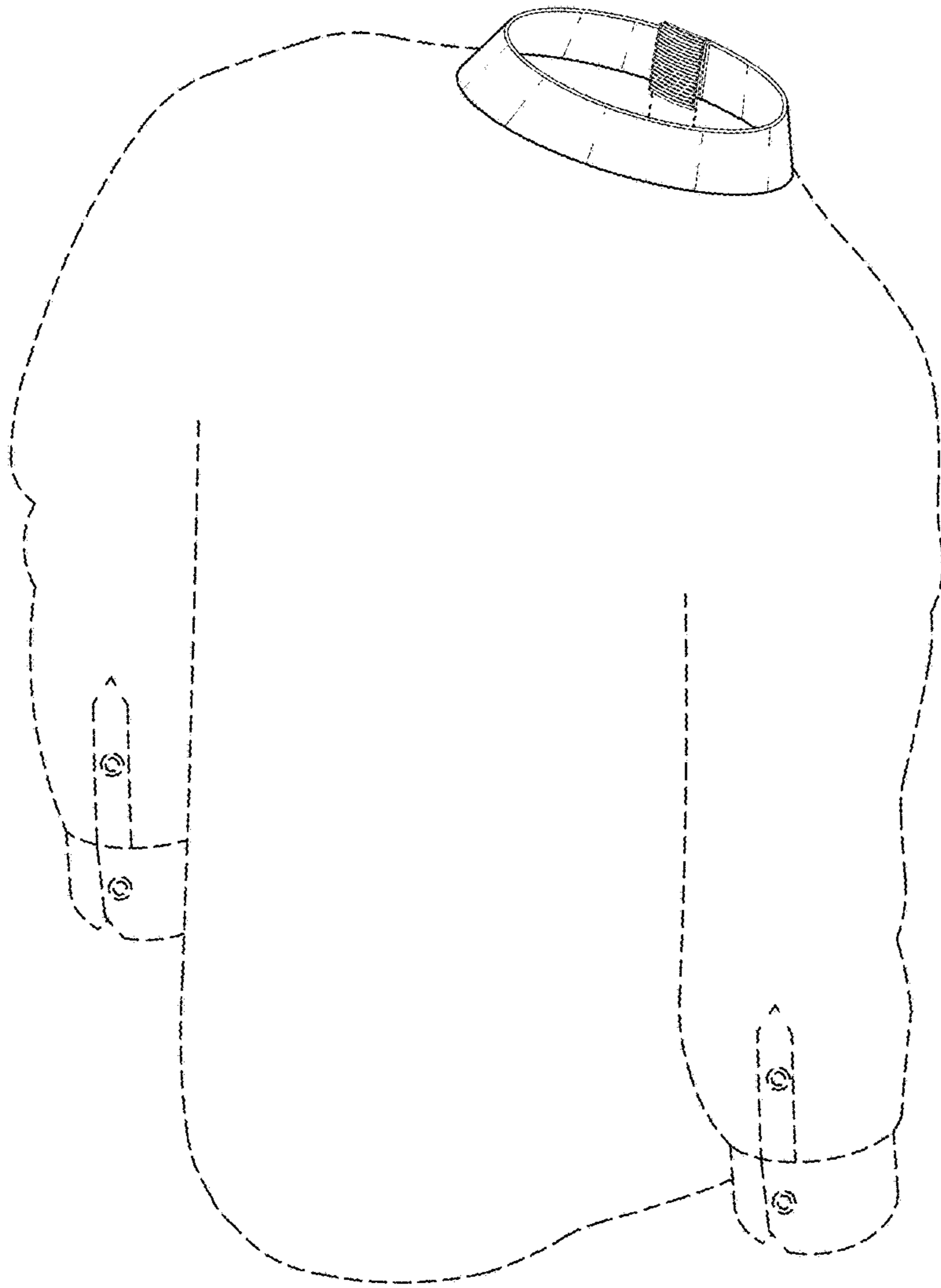


FIG. 3

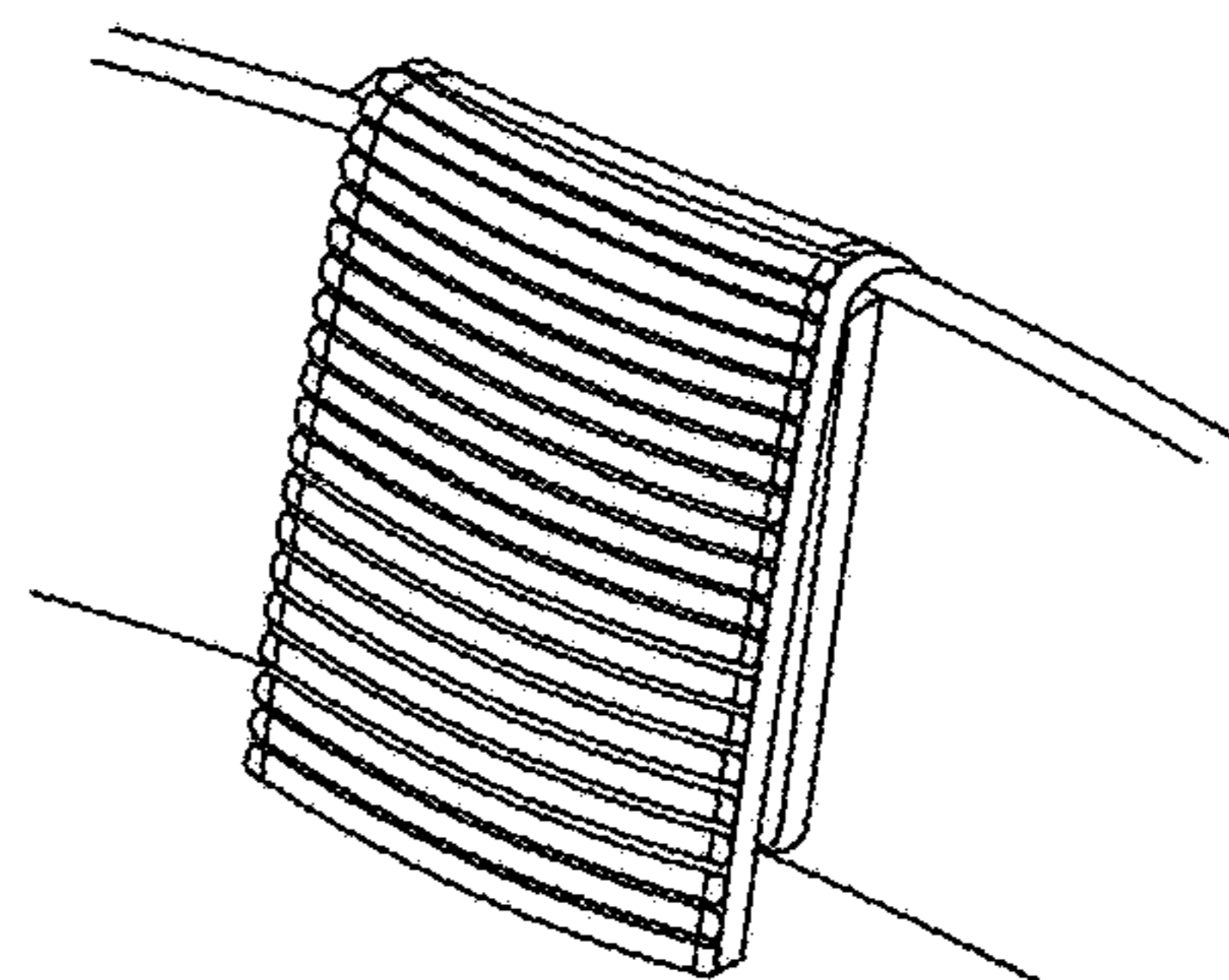


FIG. 4

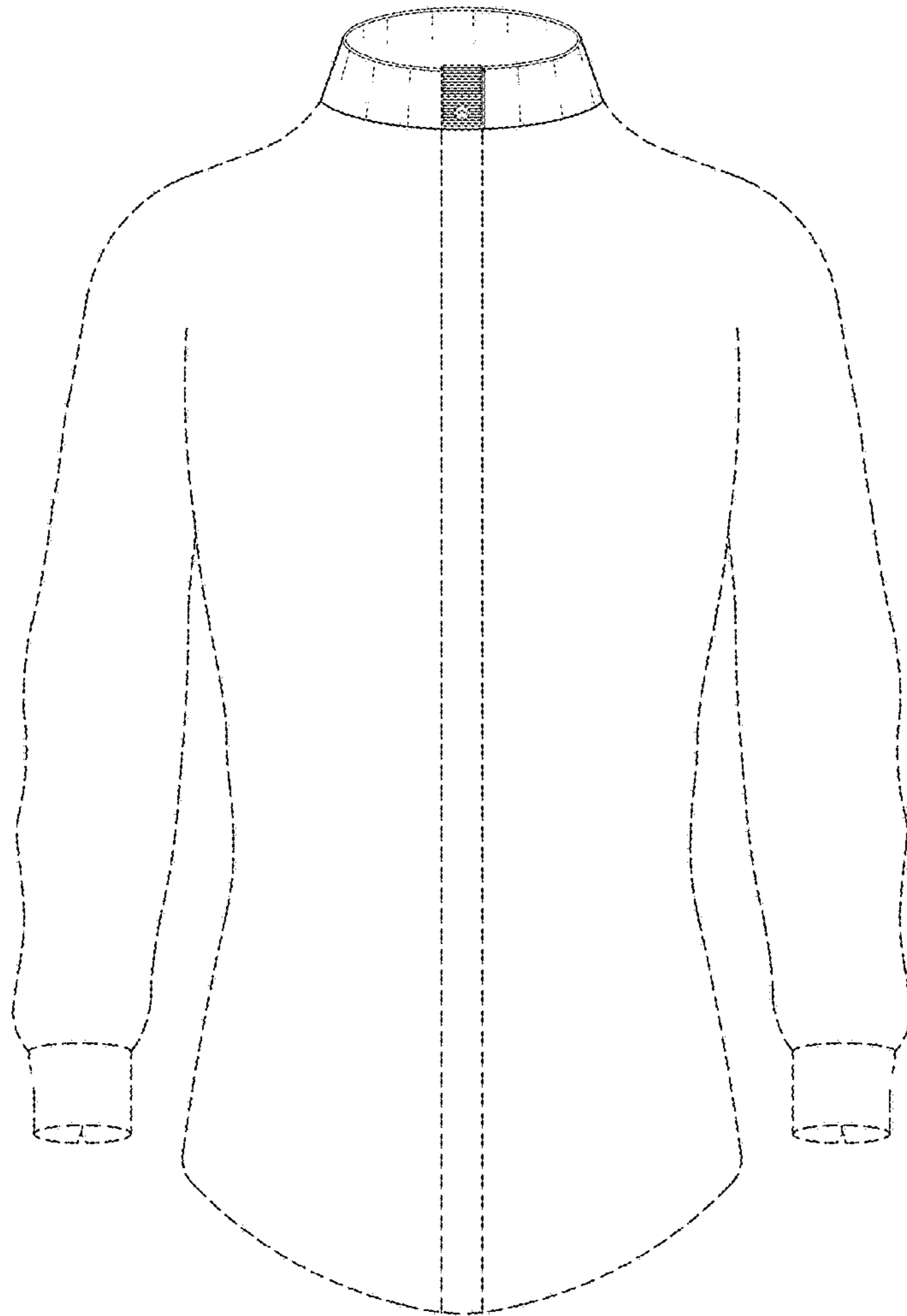


FIG. 5

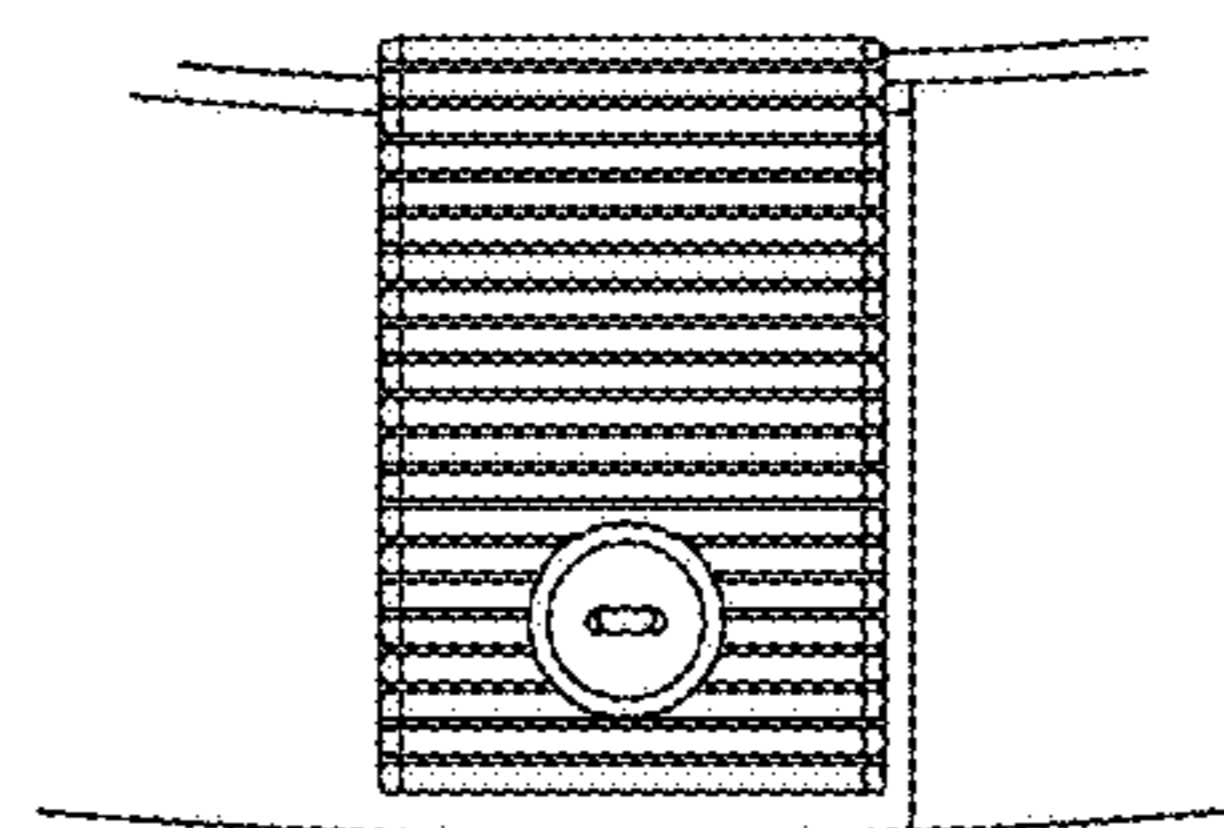


FIG. 6

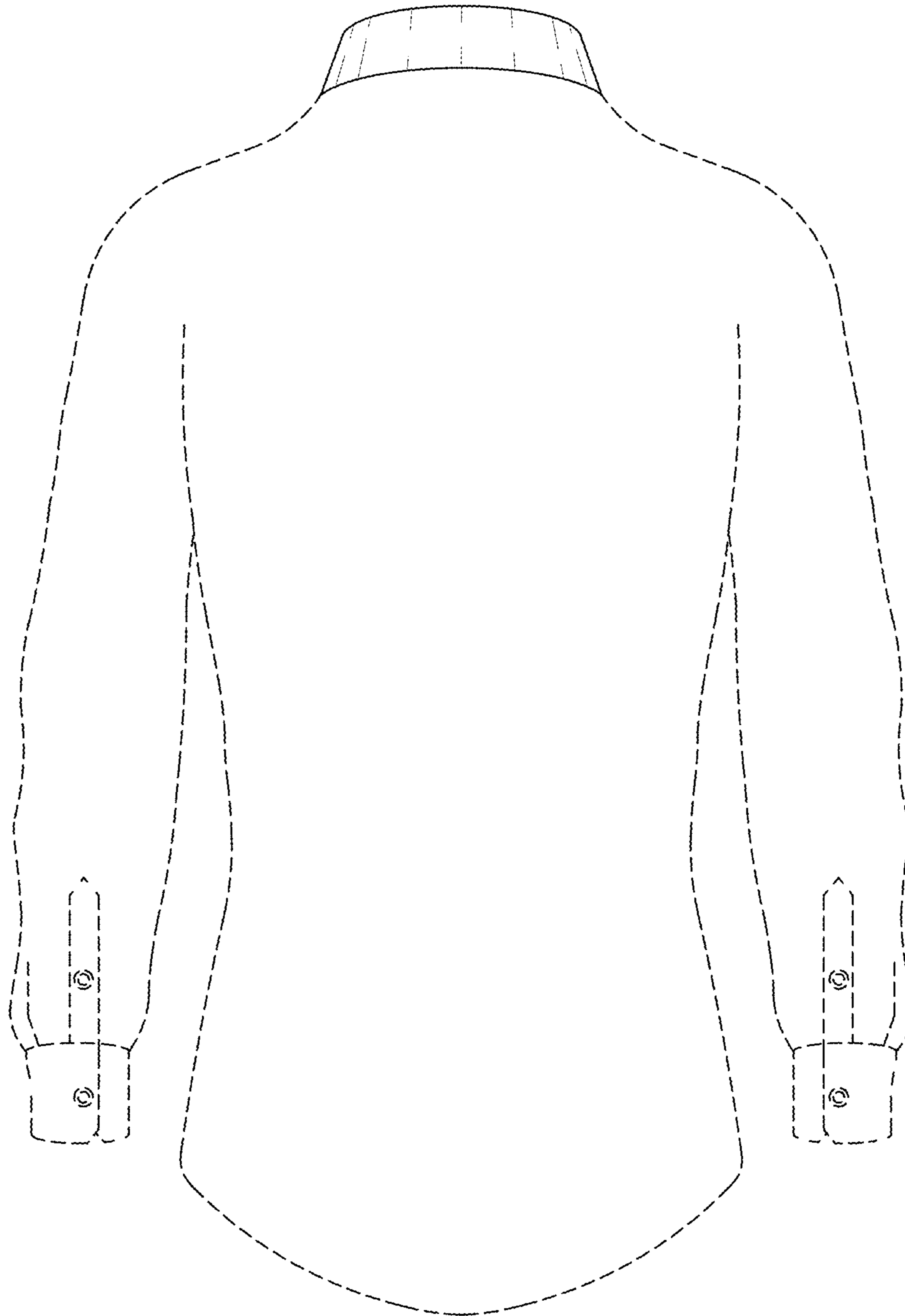


FIG. 7

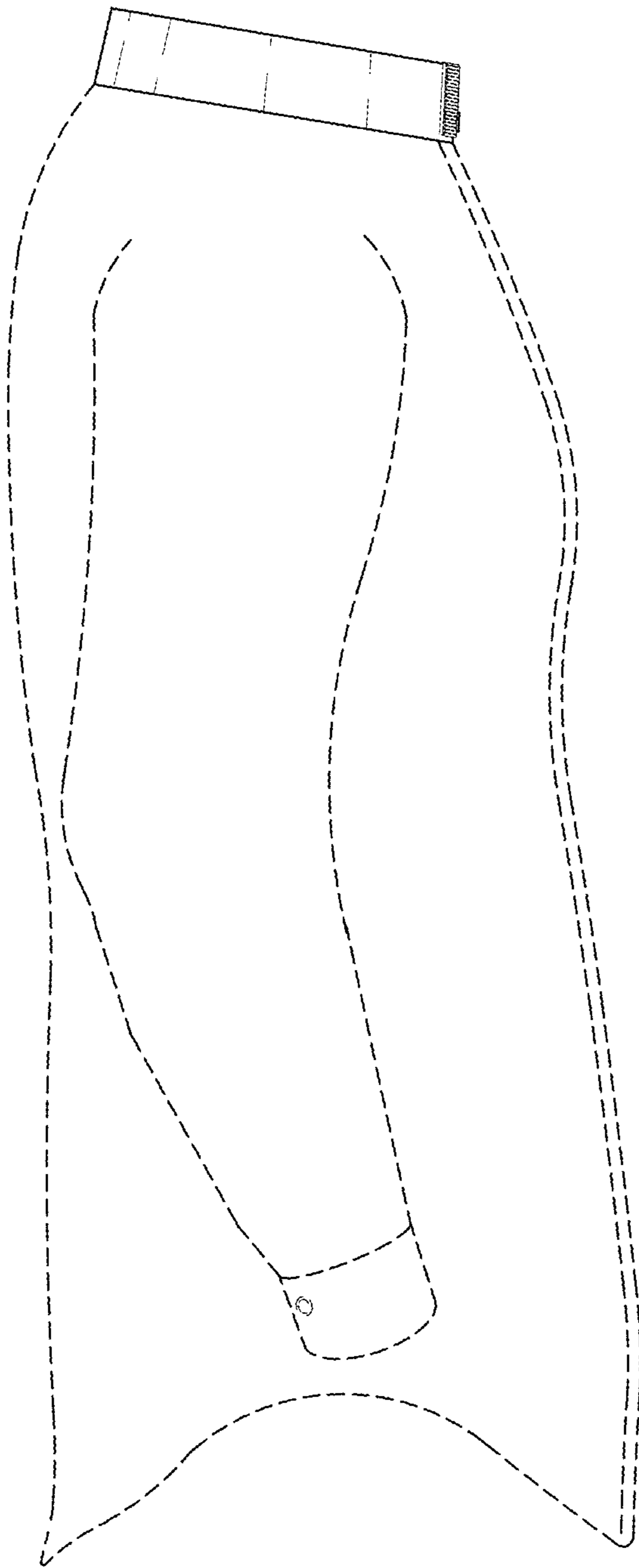


FIG. 8

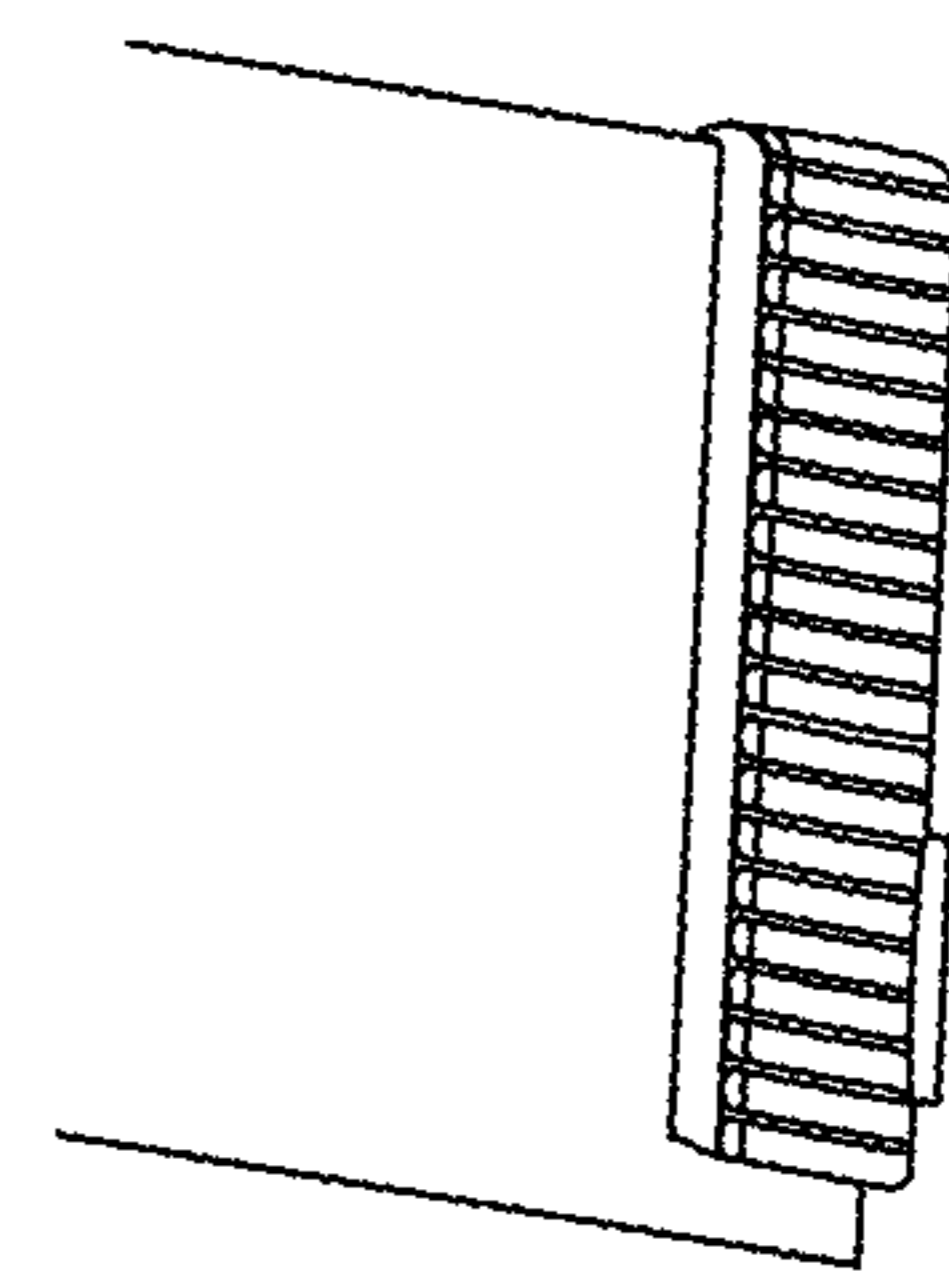


FIG. 9

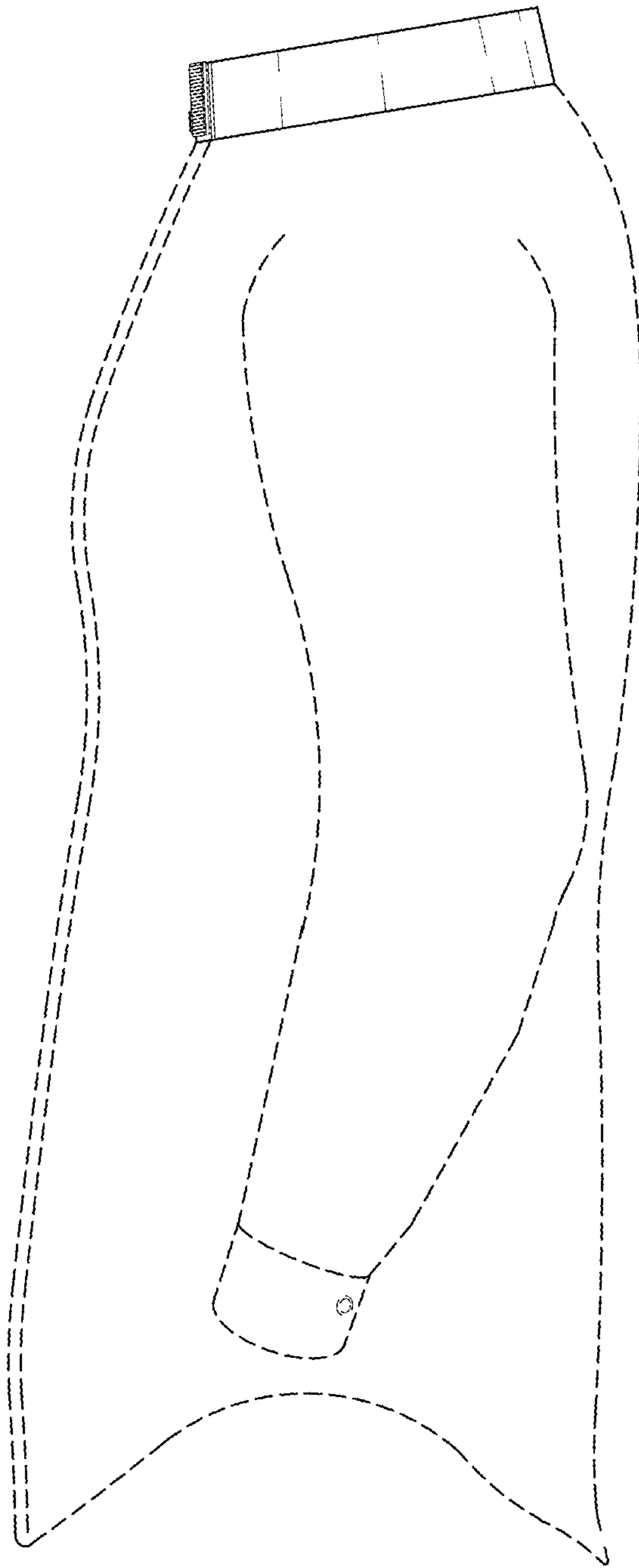


FIG. 10

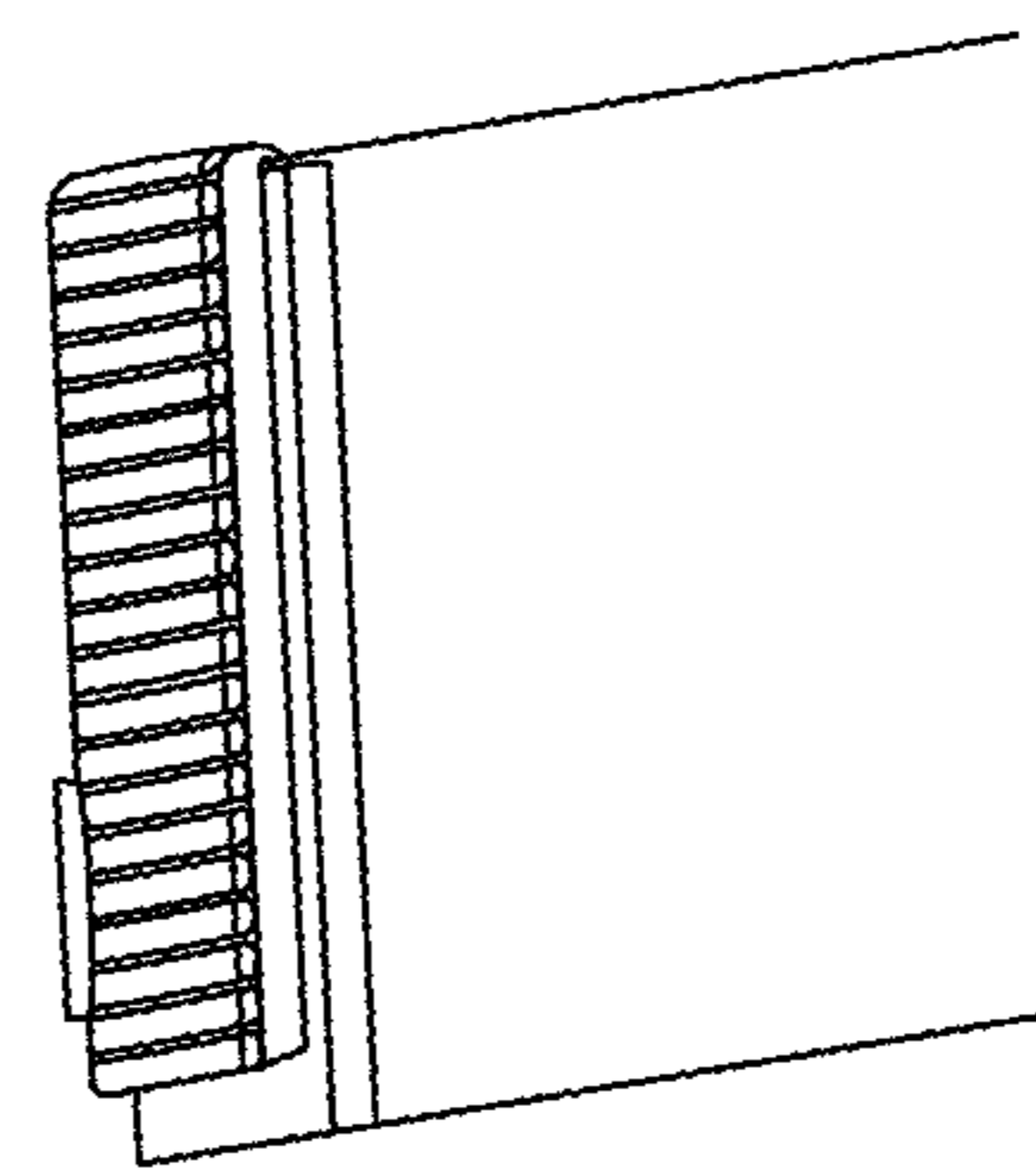


FIG. 11

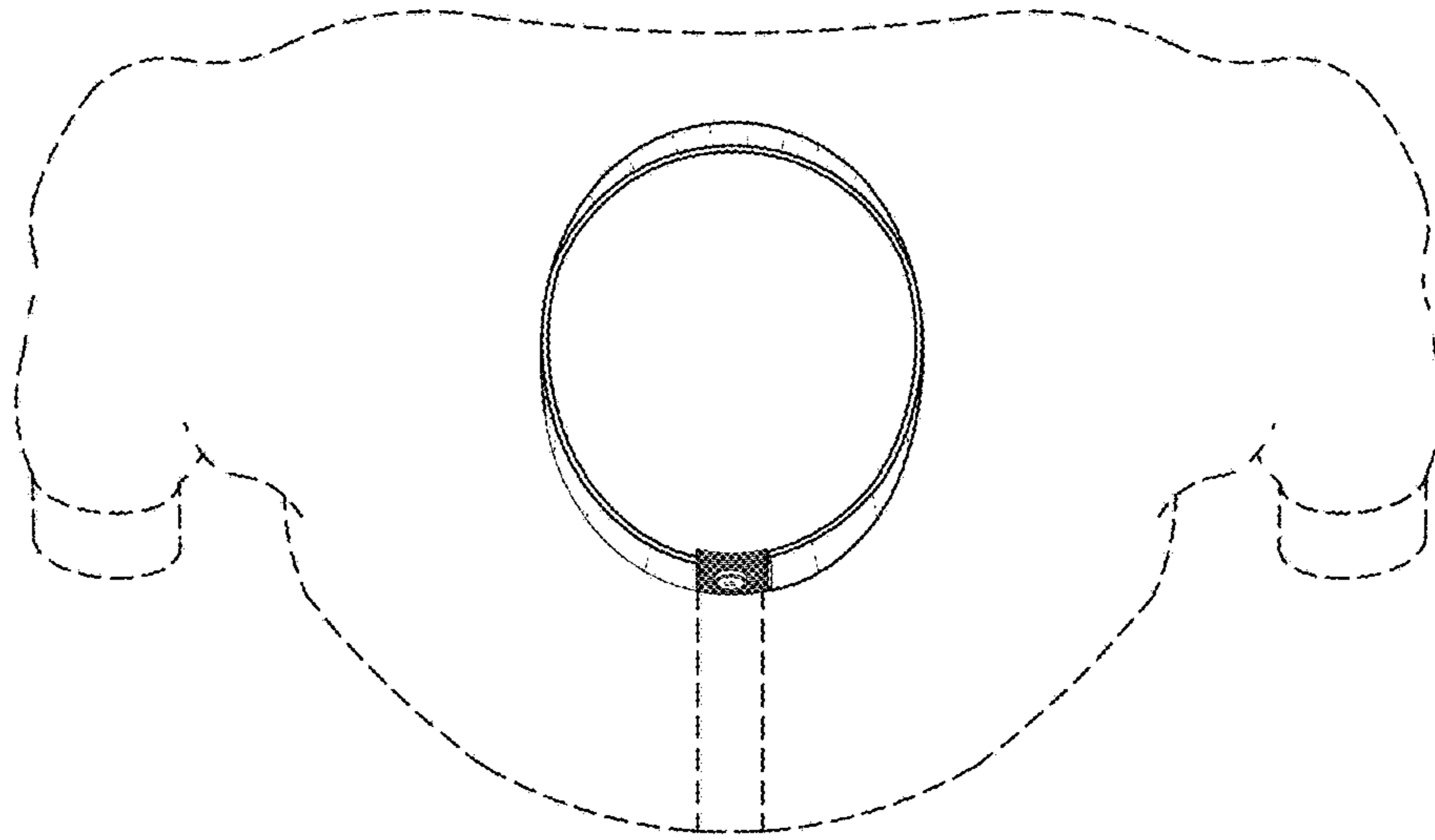


FIG. 12

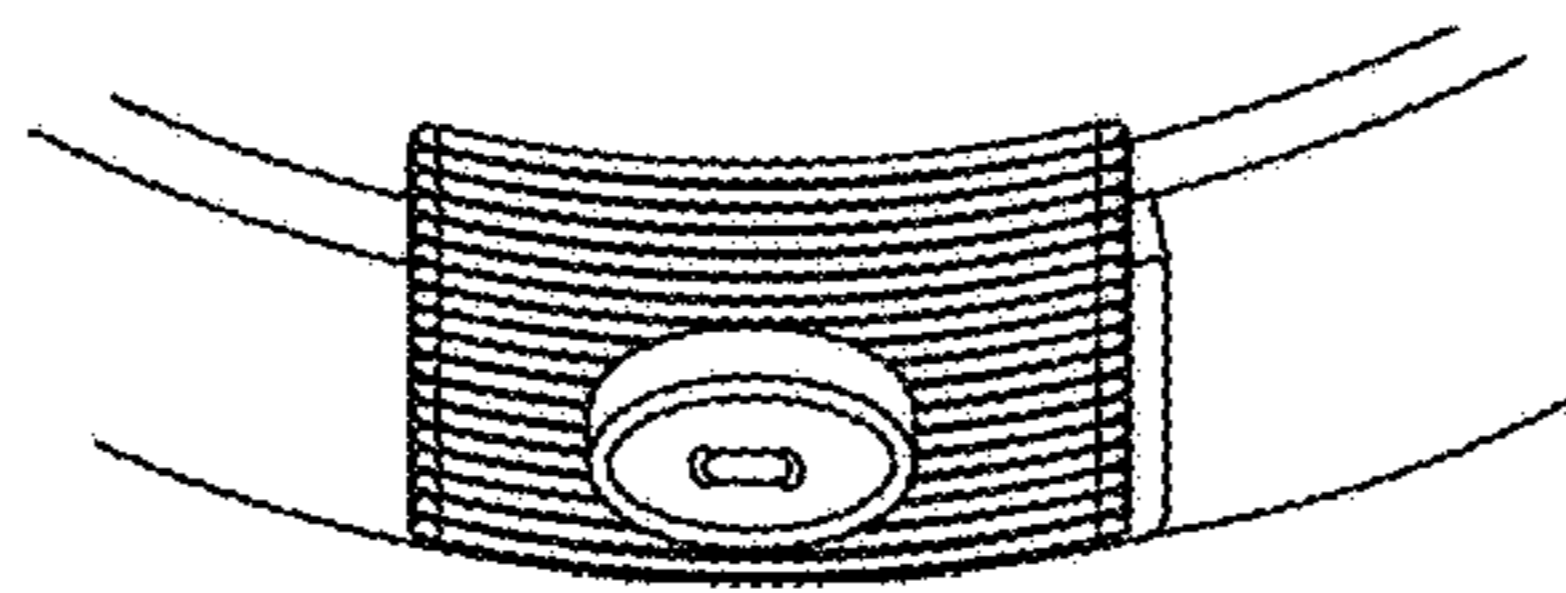


FIG. 13

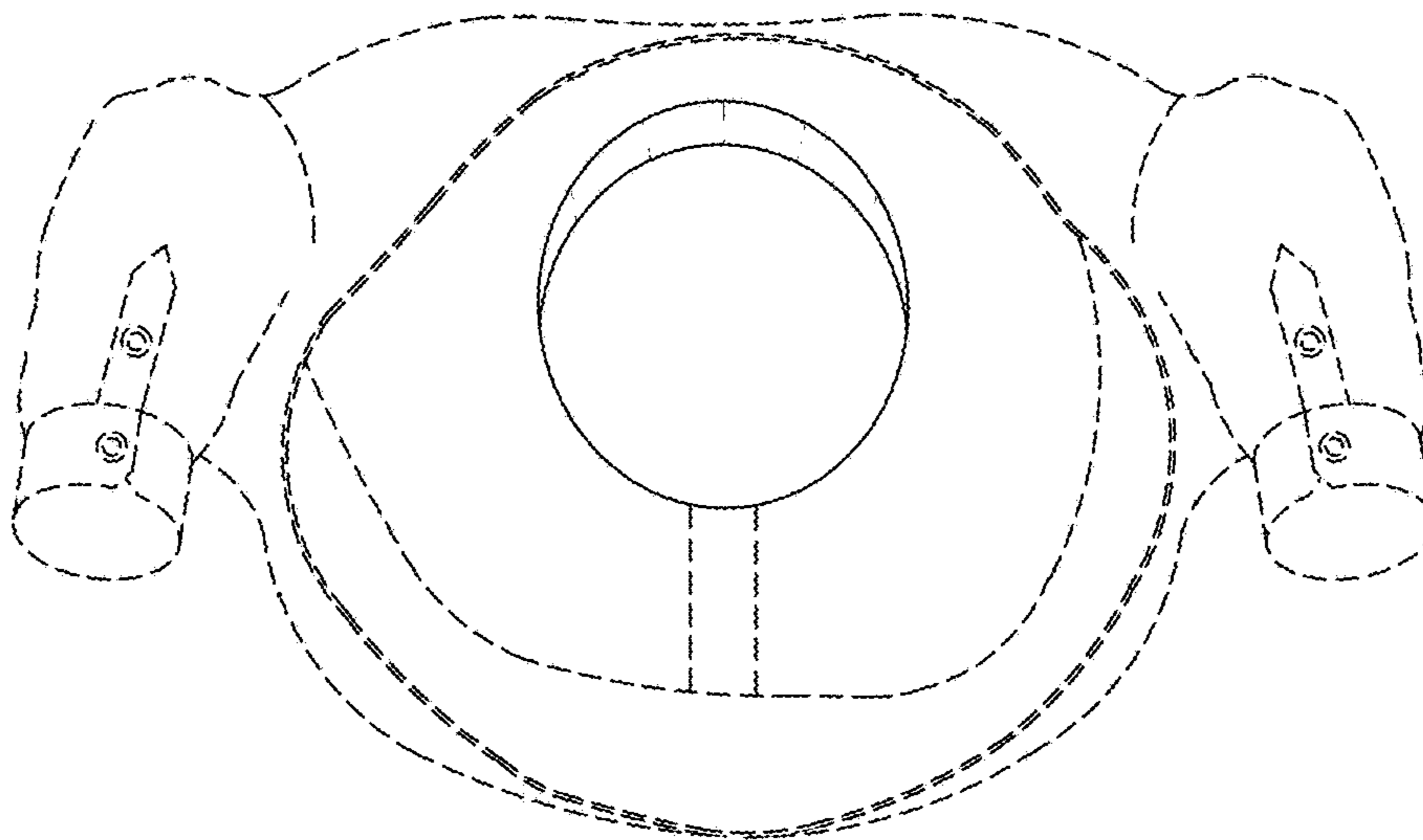


FIG. 14

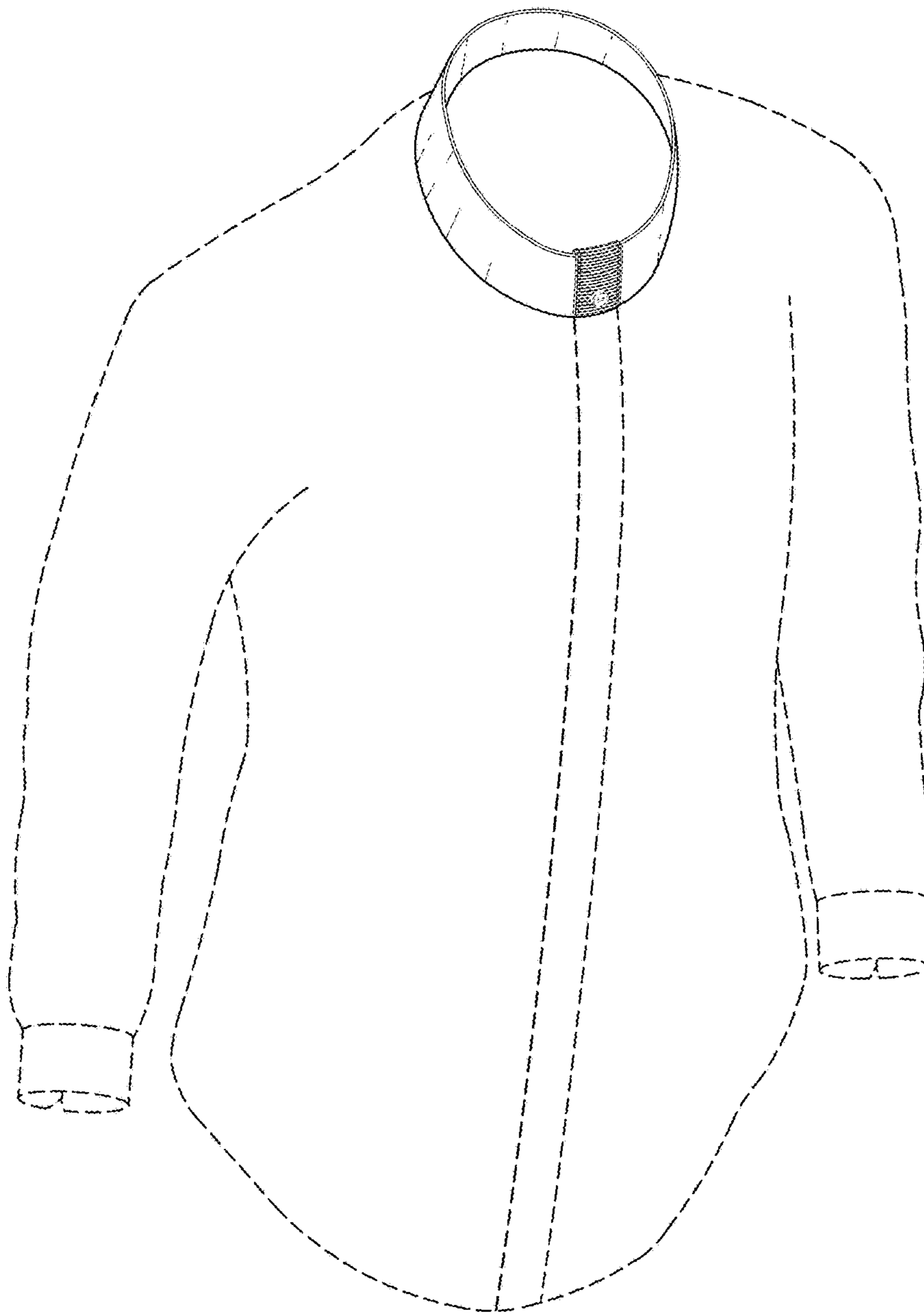


FIG. 15

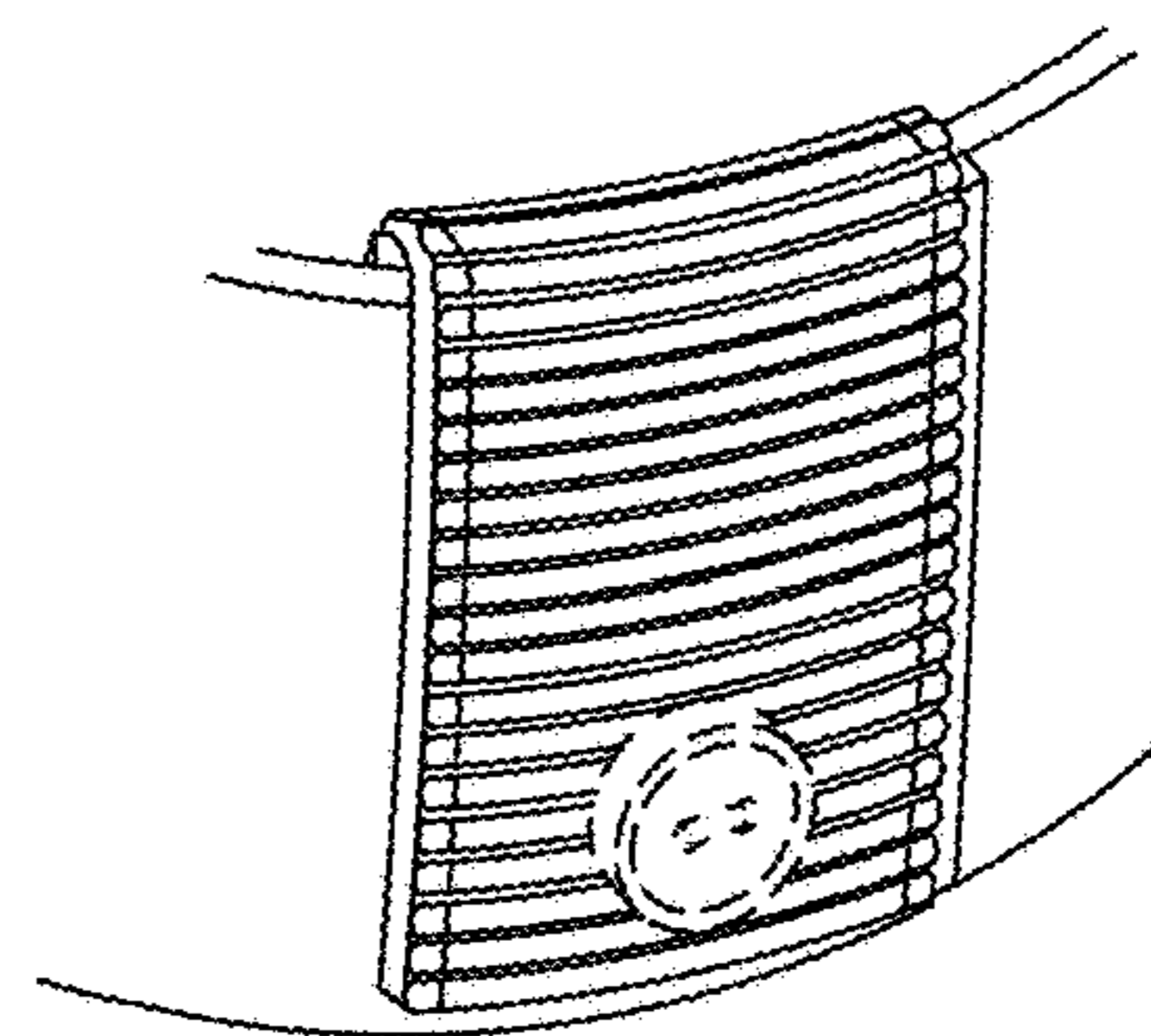


FIG. 16

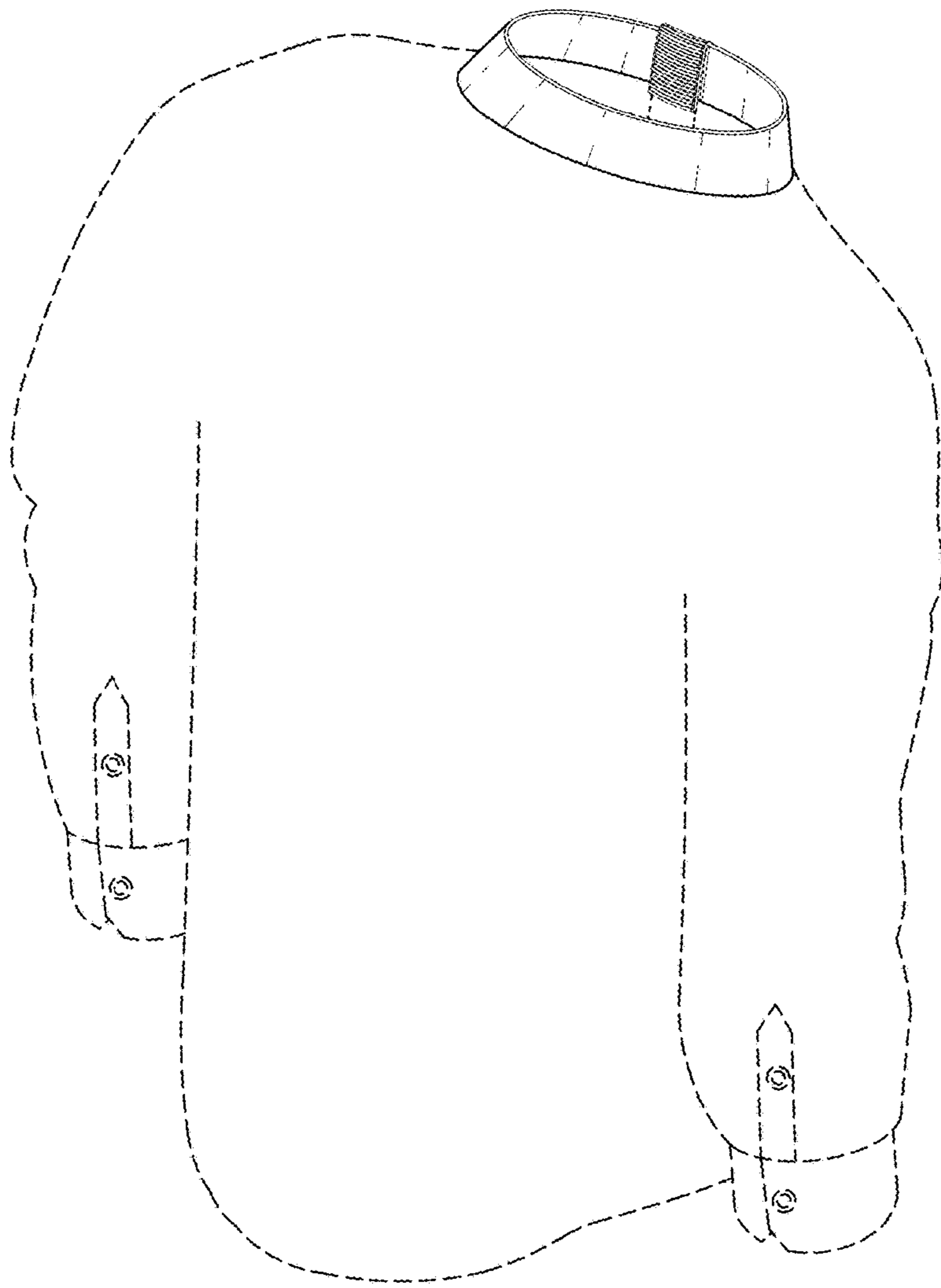


FIG. 17

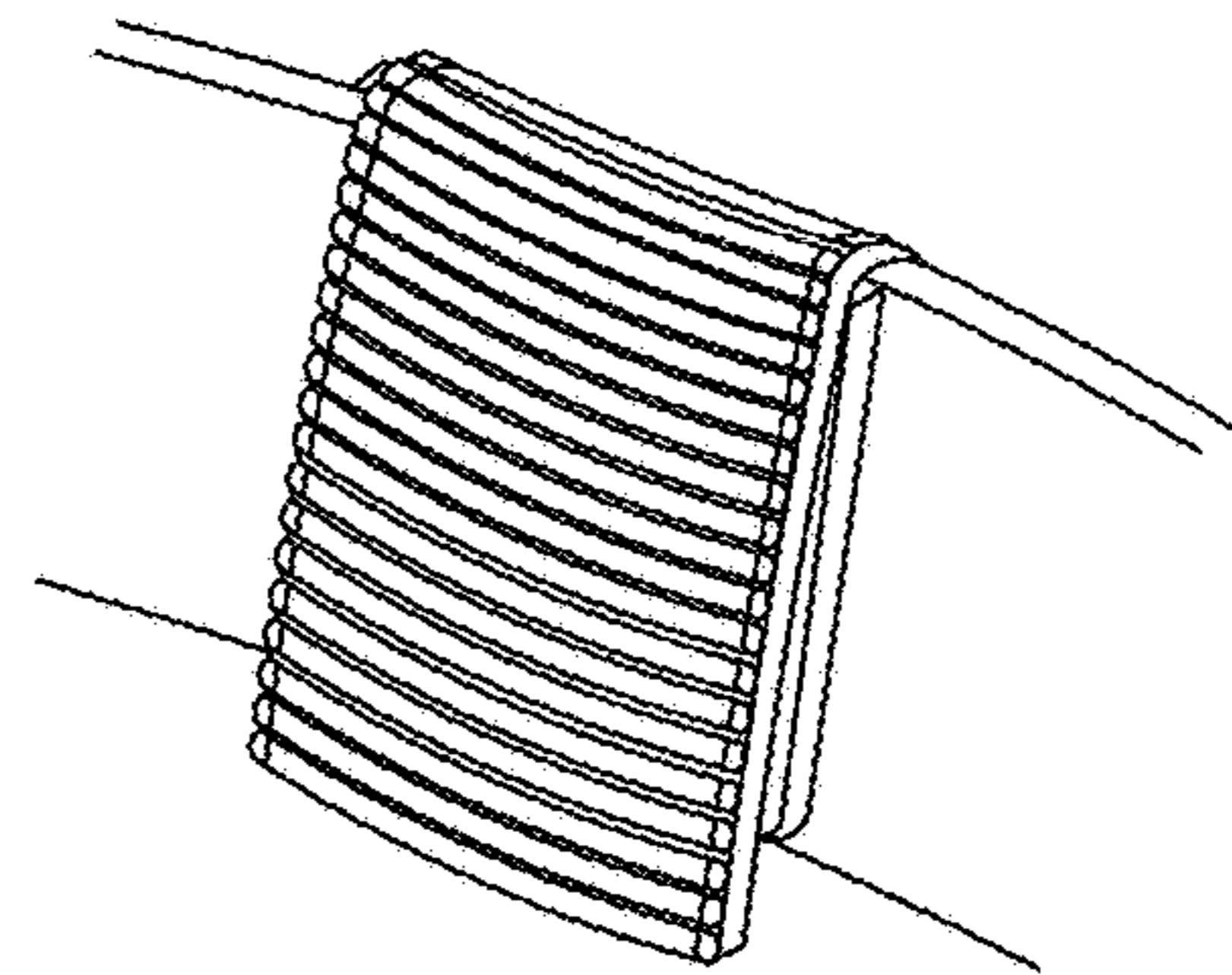


FIG. 18

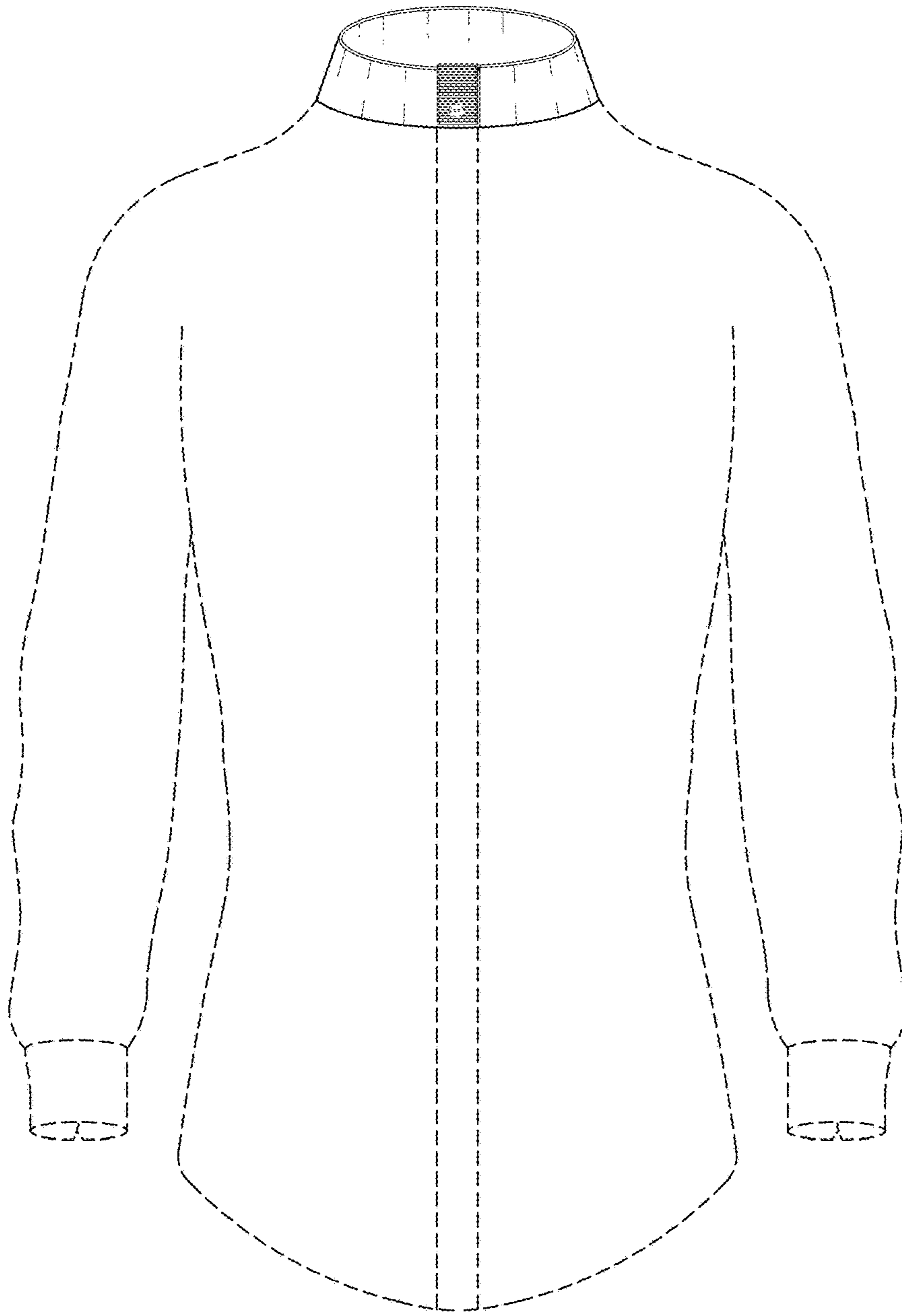


FIG. 19

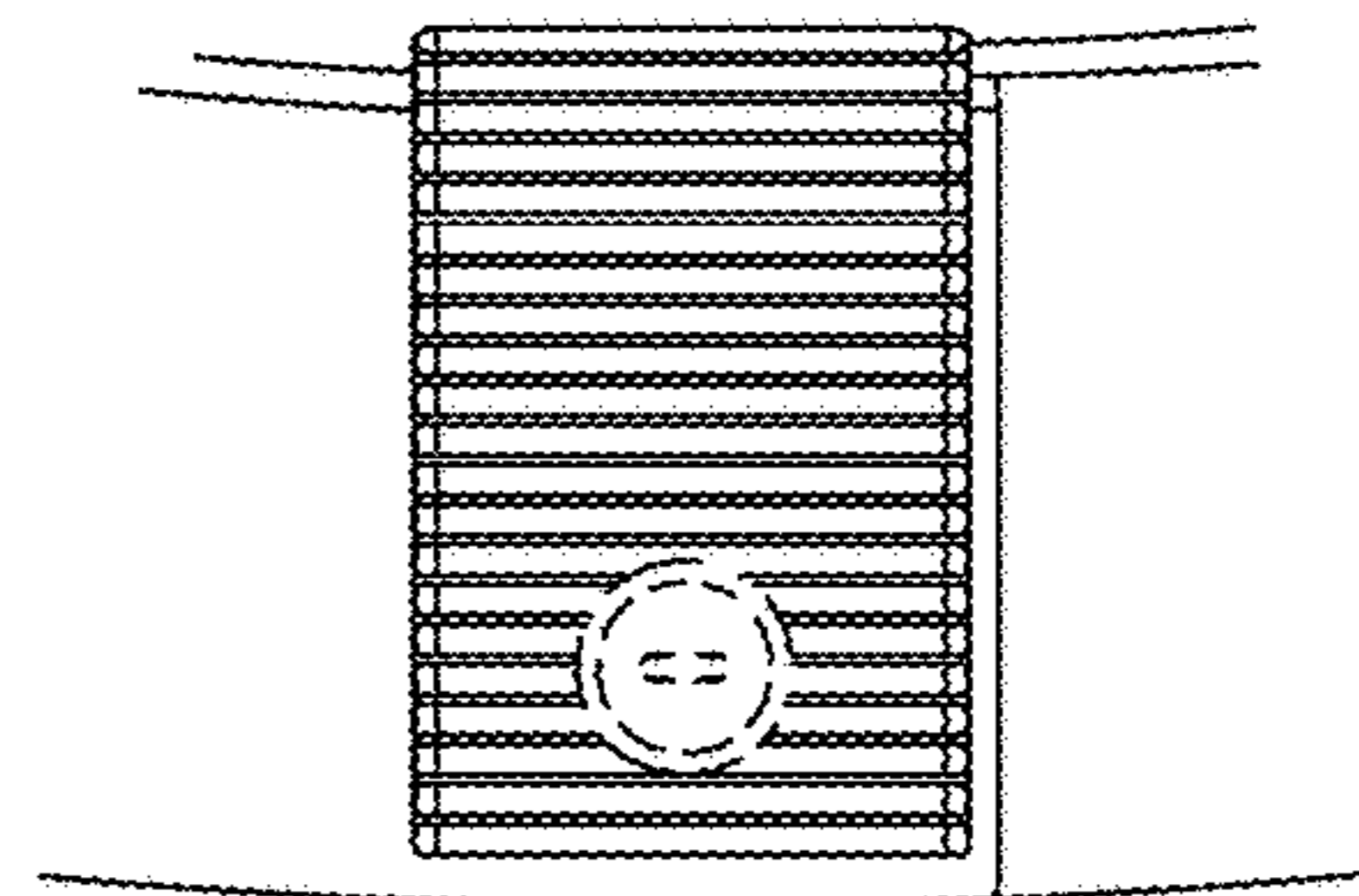


FIG. 20

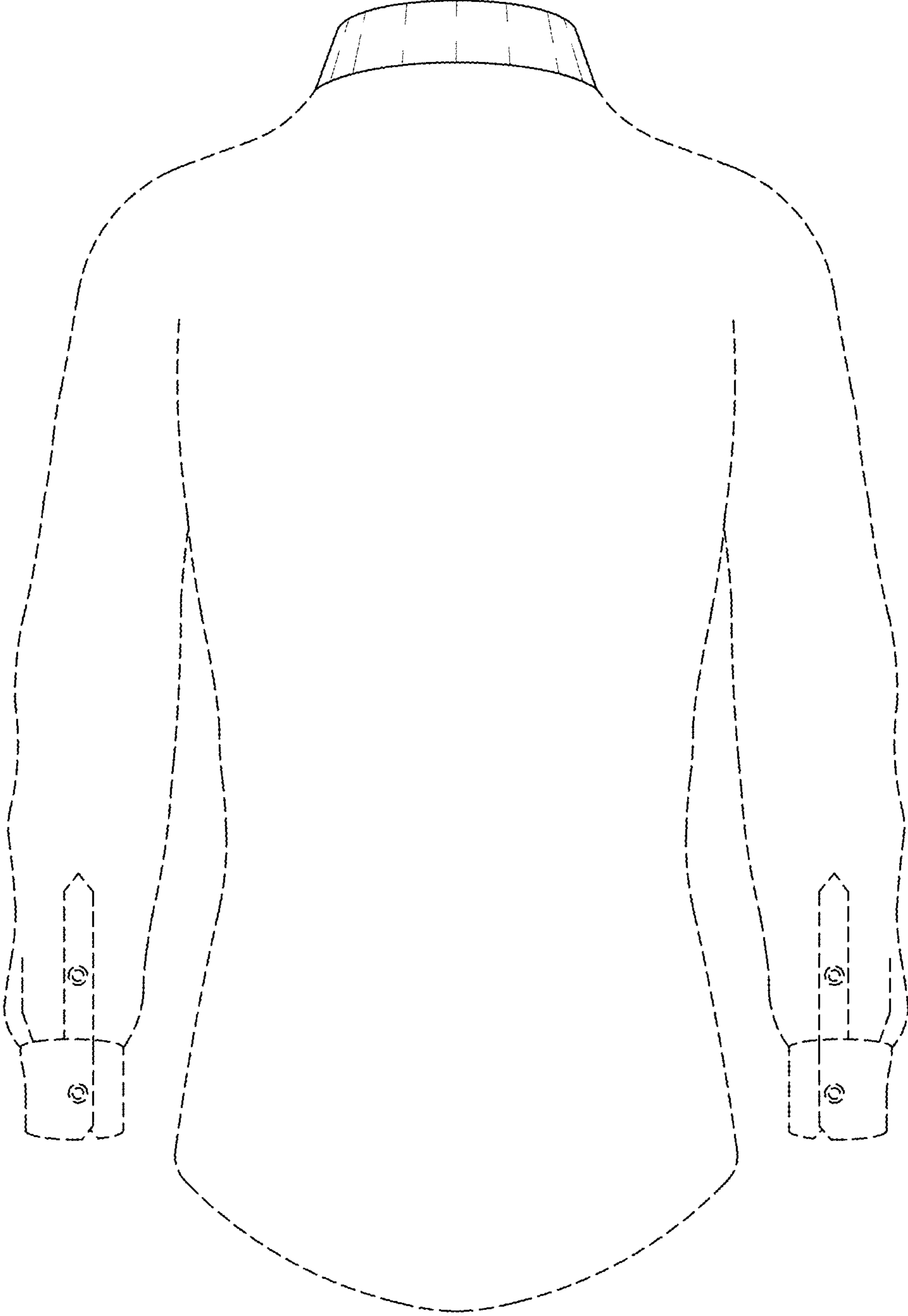


FIG. 21

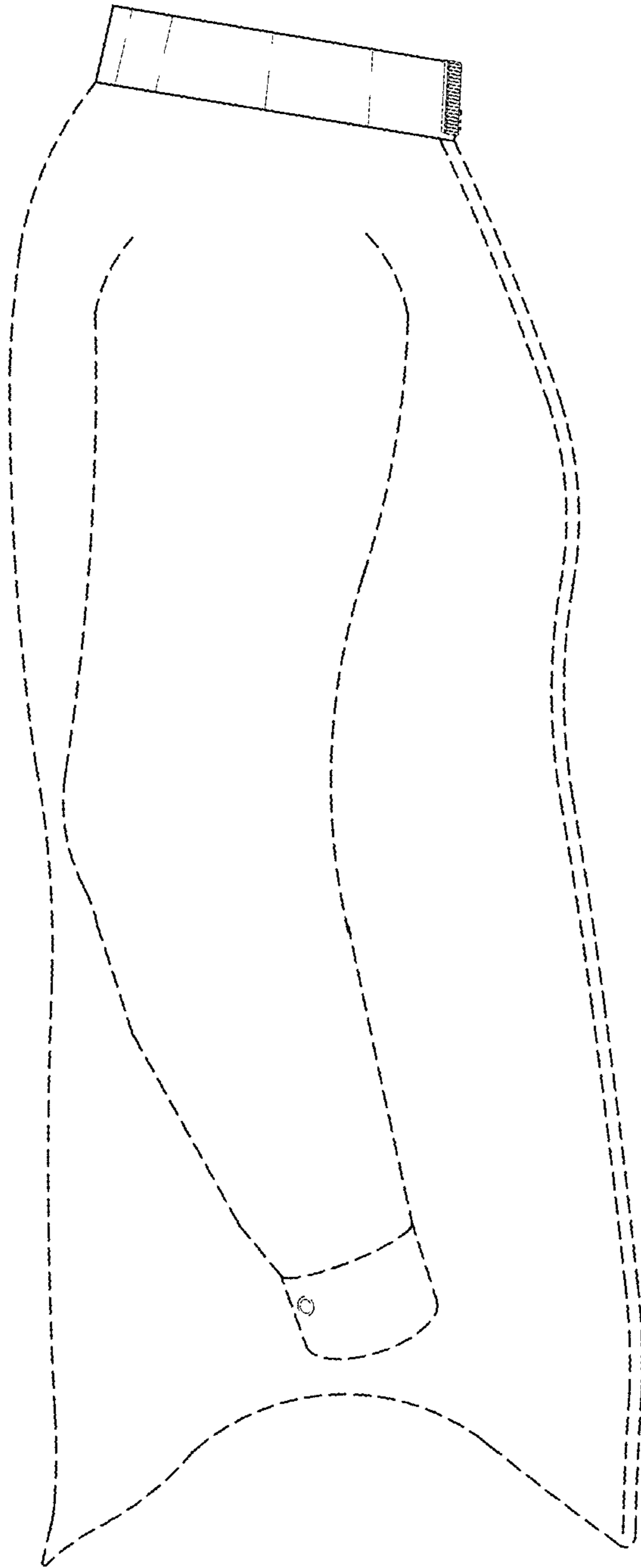


FIG. 22

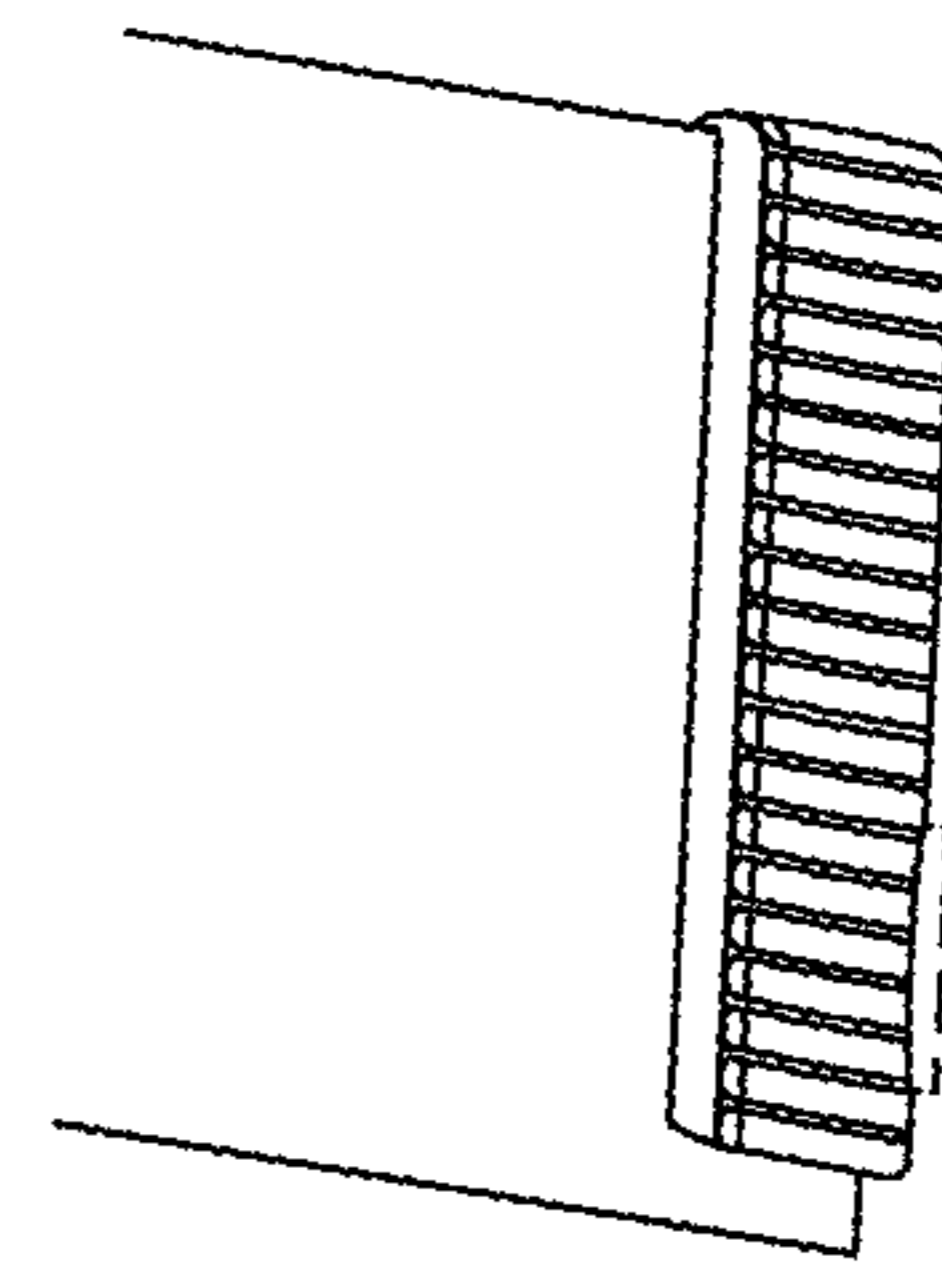


FIG. 23

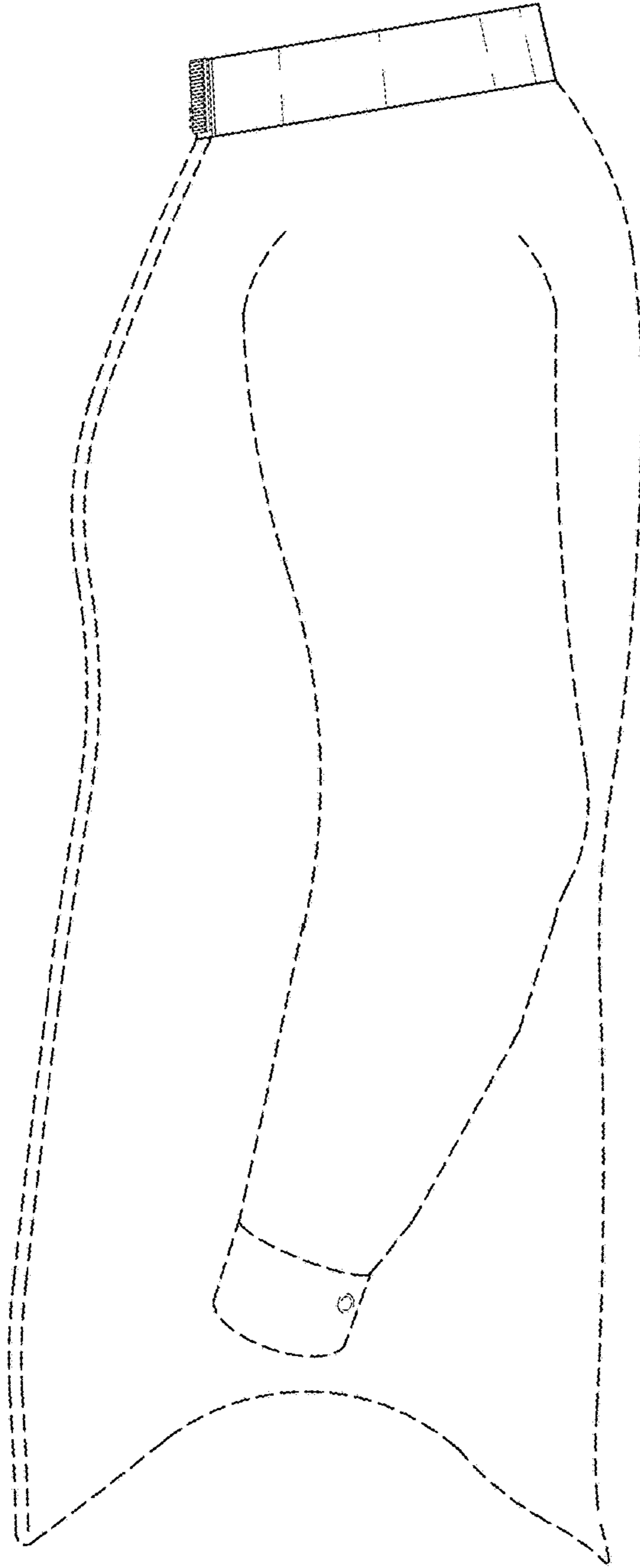


FIG. 24

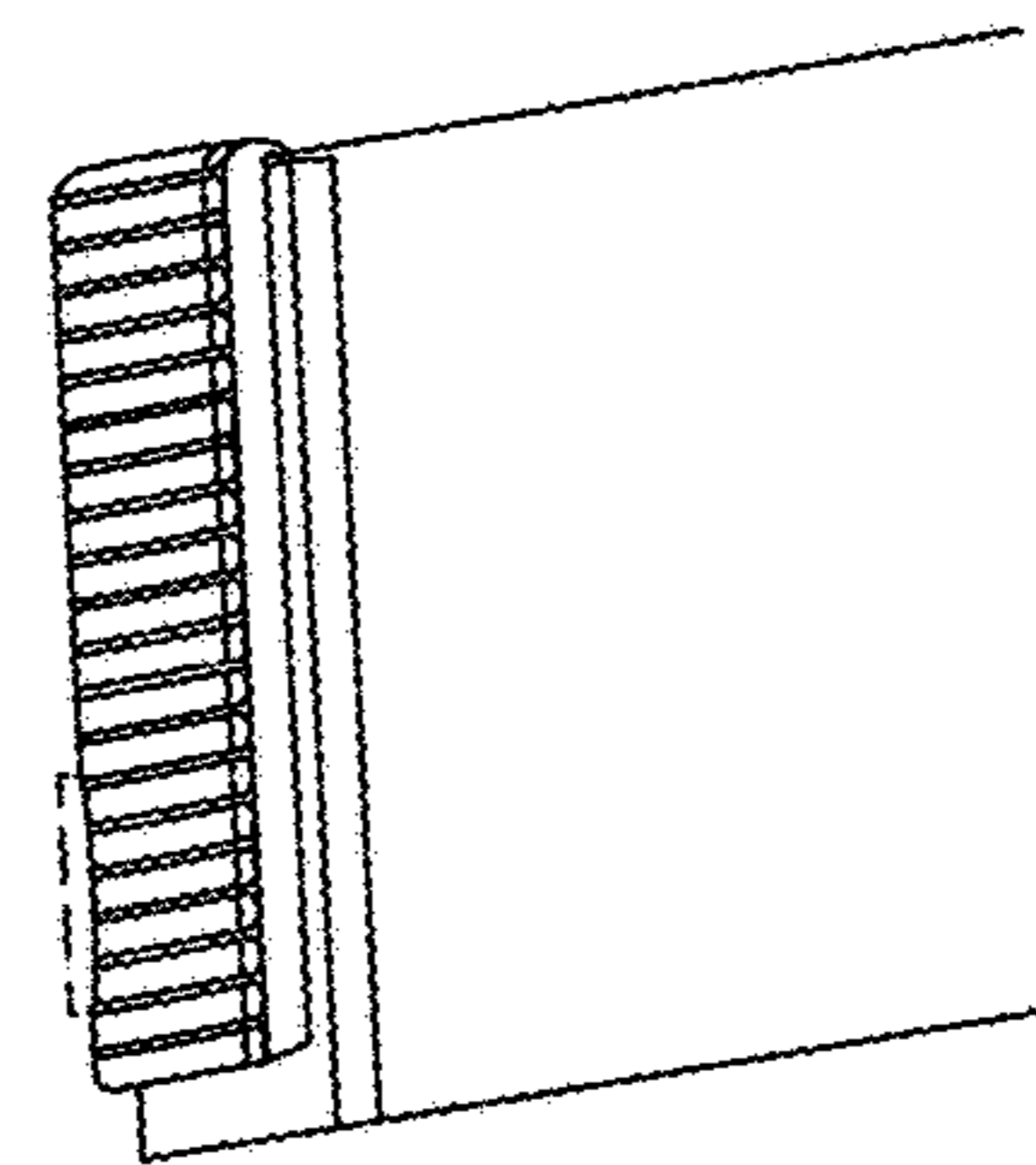


FIG. 25

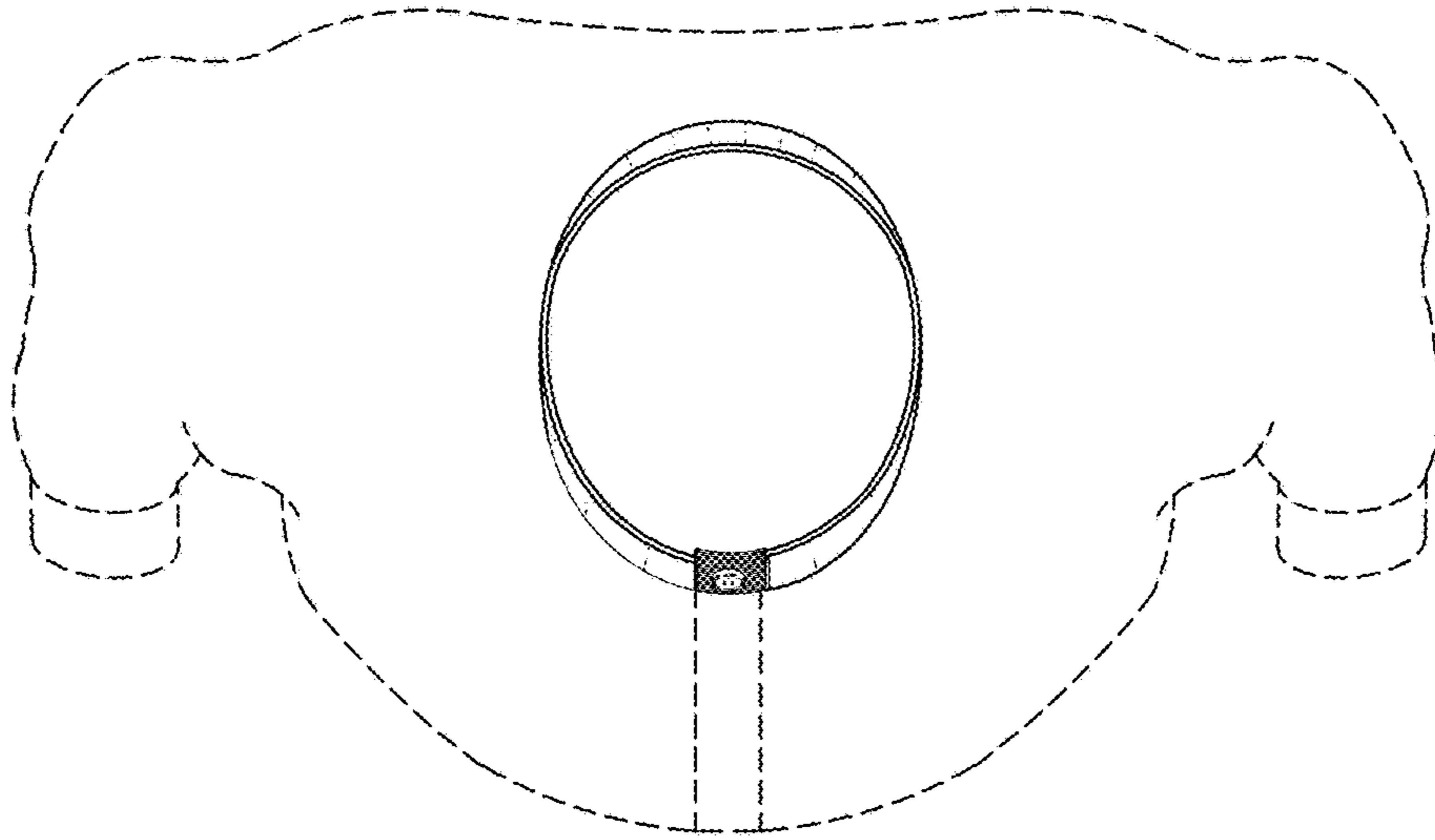


FIG. 26

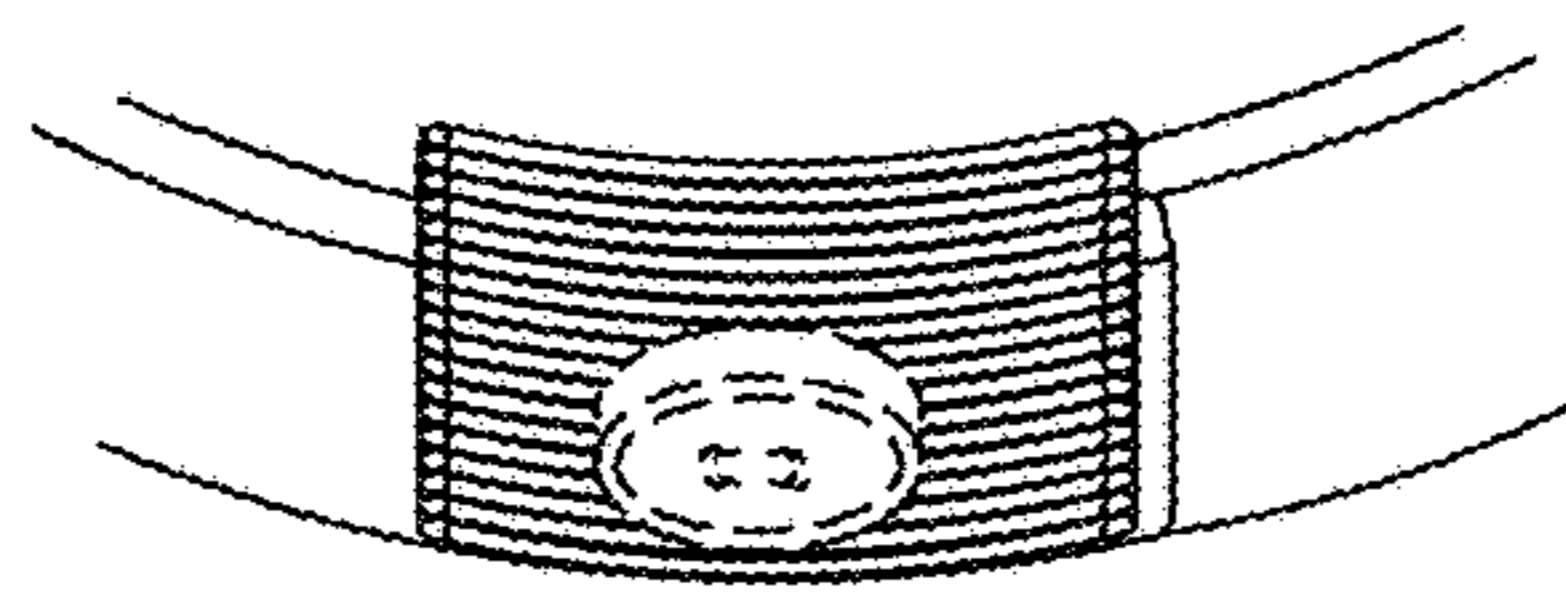


FIG. 27

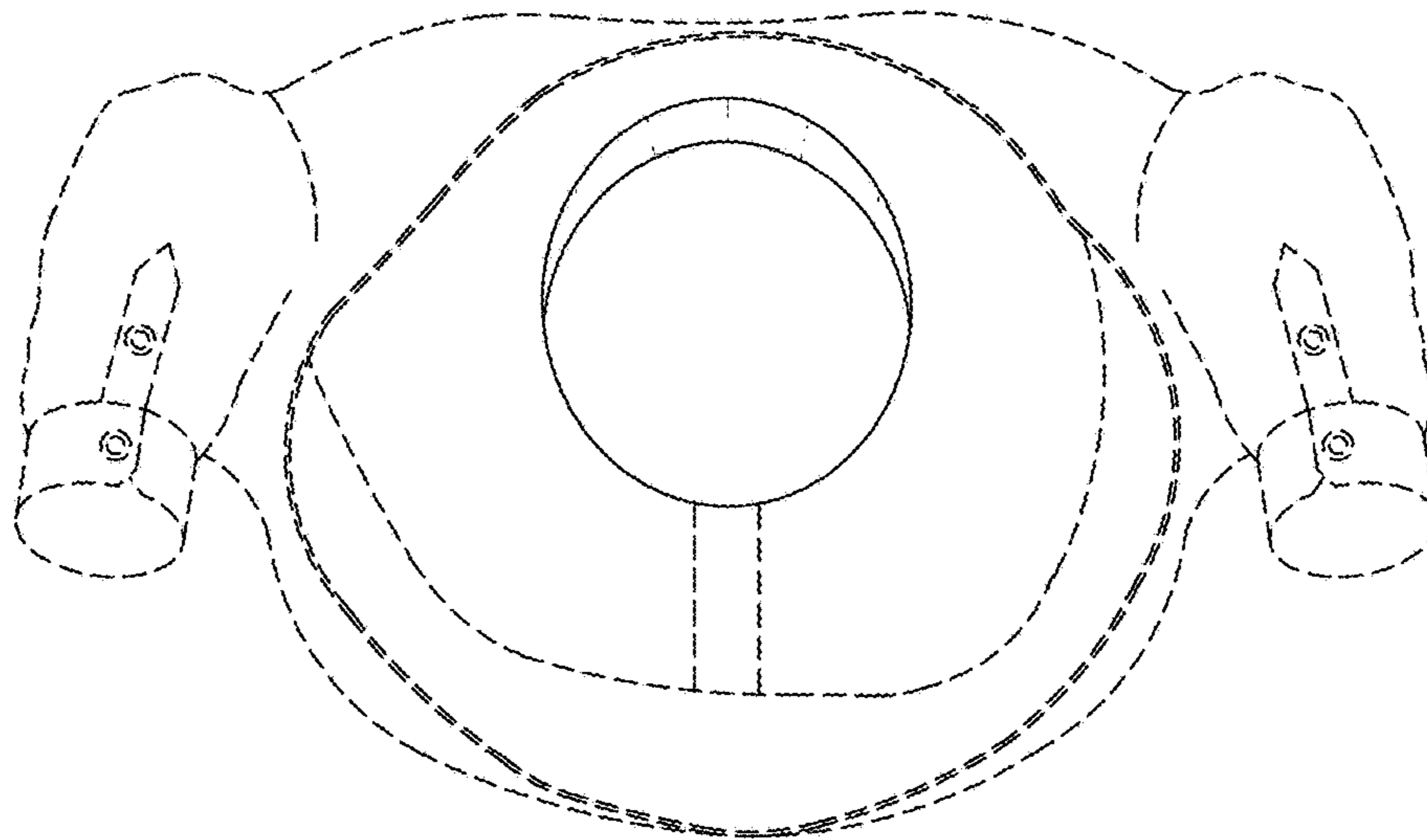


FIG. 28