



US00D838435S

(12) **United States Design Patent**
Zhu

(10) **Patent No.:** **US D838,435 S**

(45) **Date of Patent:** **** Jan. 22, 2019**

- (54) **INFLATABLE SLEEPING BAG**
- (71) Applicant: **Shangming Zhu**, Quizhou (CN)
- (72) Inventor: **Shangming Zhu**, Quizhou (CN)
- (**) Term: **15 Years**
- (21) Appl. No.: **29/610,948**
- (22) Filed: **Jul. 18, 2017**

D626,309 S *	11/2010	Abrams	D2/719
D641,136 S *	7/2011	Abrams	D2/719
D641,541 S *	7/2011	Abrams	D2/719
D650,152 S *	12/2011	Abrams	D2/719
D650,153 S *	12/2011	Chopak	D2/719
D654,248 S *	2/2012	Abrams	D2/719
D669,659 S *	10/2012	Barski	D2/719
D676,220 S *	2/2013	Bostajian	D2/719
D693,987 S *	11/2013	Wagner	D2/719
D728,198 S *	5/2015	Barski	D2/719
D728,199 S *	5/2015	Barski	D2/719

* cited by examiner

(30) **Foreign Application Priority Data**

Apr. 20, 2017 (CN) 2017 3 0134648

(51) **LOC (11) Cl.** **02-01**

(52) **U.S. Cl.**
USPC **D2/719**

(58) **Field of Classification Search**
USPC D2/719; D6/601-603, 589, 595, 598;
D21/803-809
CPC A41B 13/06; A41B 13/065; A47G 9/08;
A47G 9/086
See application file for complete search history.

(56) **References Cited**

U.S. PATENT DOCUMENTS

4,674,130 A *	6/1987	Coudron	A41B 13/06
				2/114
D624,279 S *	9/2010	Adams	D2/719

Primary Examiner — Michelle E. Wilson

Assistant Examiner — Clese Moore, Jr.

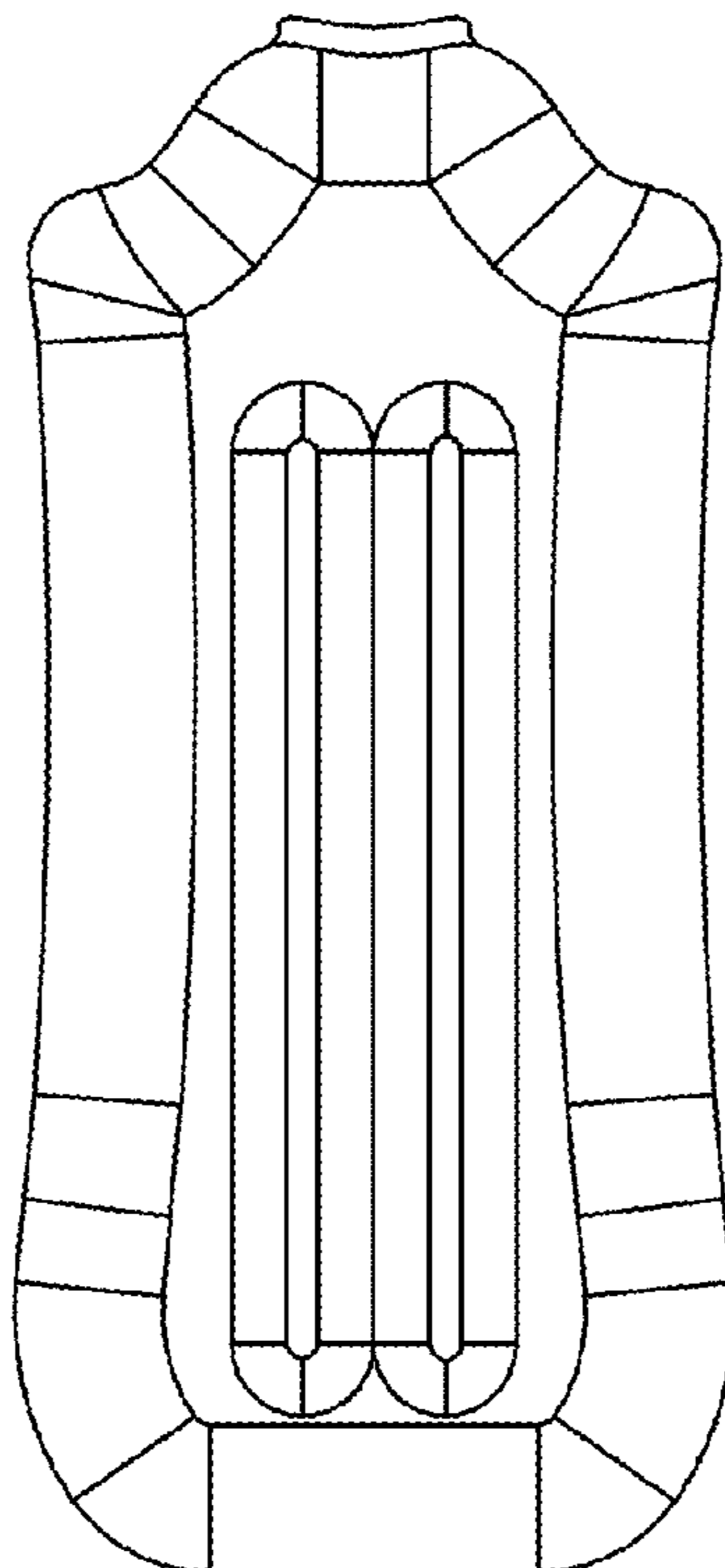
(57) **CLAIM**

The ornamental design for an inflatable sleeping bag, as shown.

DESCRIPTION

FIG. 1 is a front elevational view of an inflatable sleeping bag showing my new design;
FIG. 2 is a rear elevational view thereof;
FIG. 3 is a left side view thereof;
FIG. 4 is a right side view thereof;
FIG. 5 is a top plan view thereof;
FIG. 6 is a bottom plan view thereof;
FIG. 7 is a perspective view thereof; and,
FIG. 8 is another perspective view thereof.

1 Claim, 2 Drawing Sheets



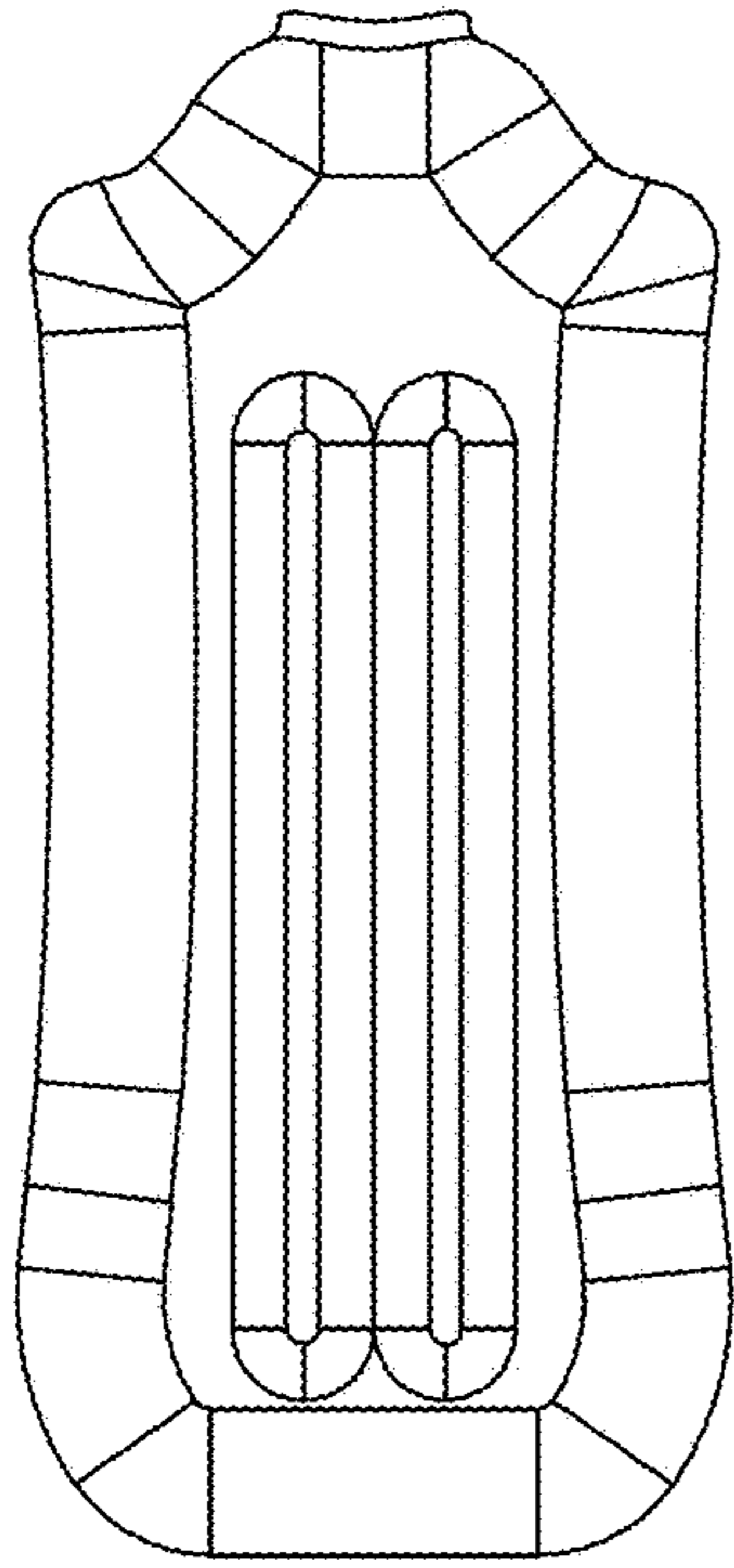


FIG. 1

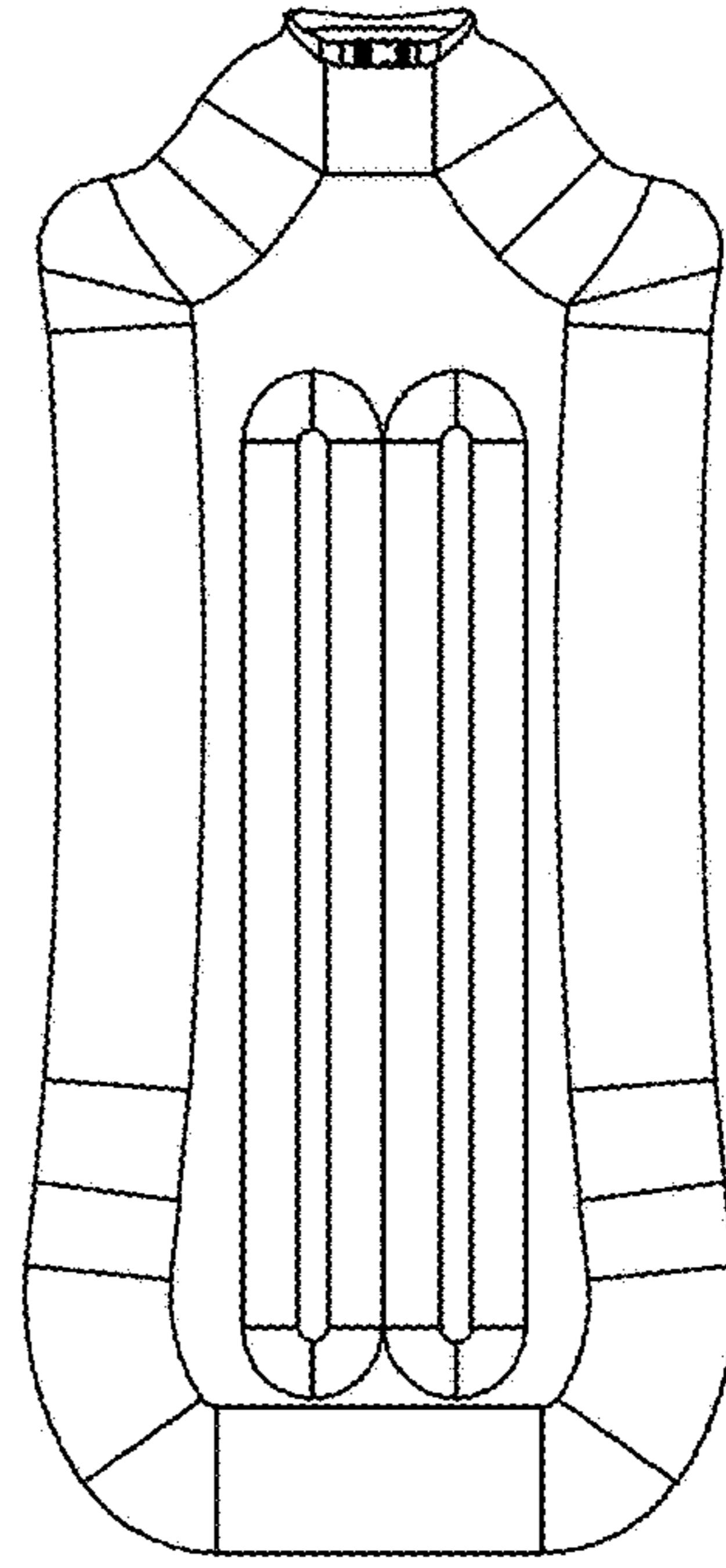


FIG. 2

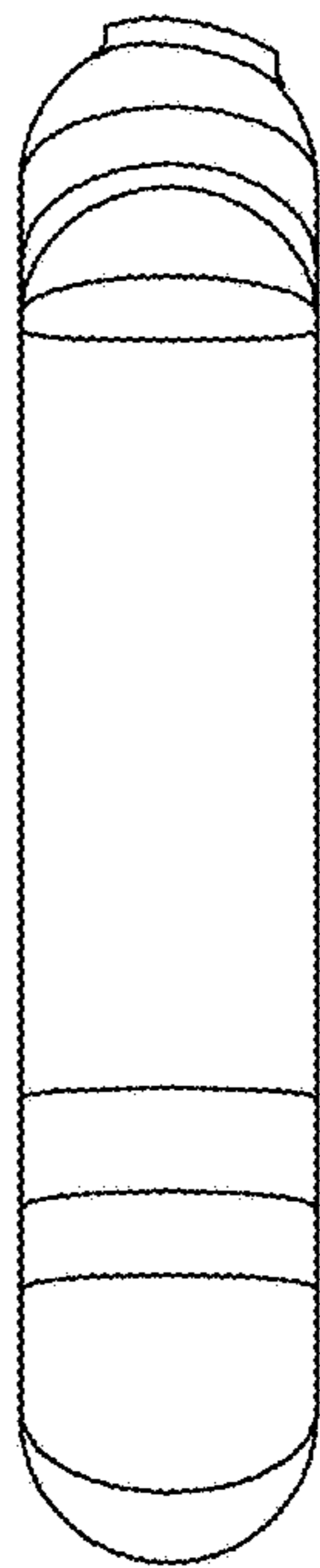


FIG. 3



FIG. 4

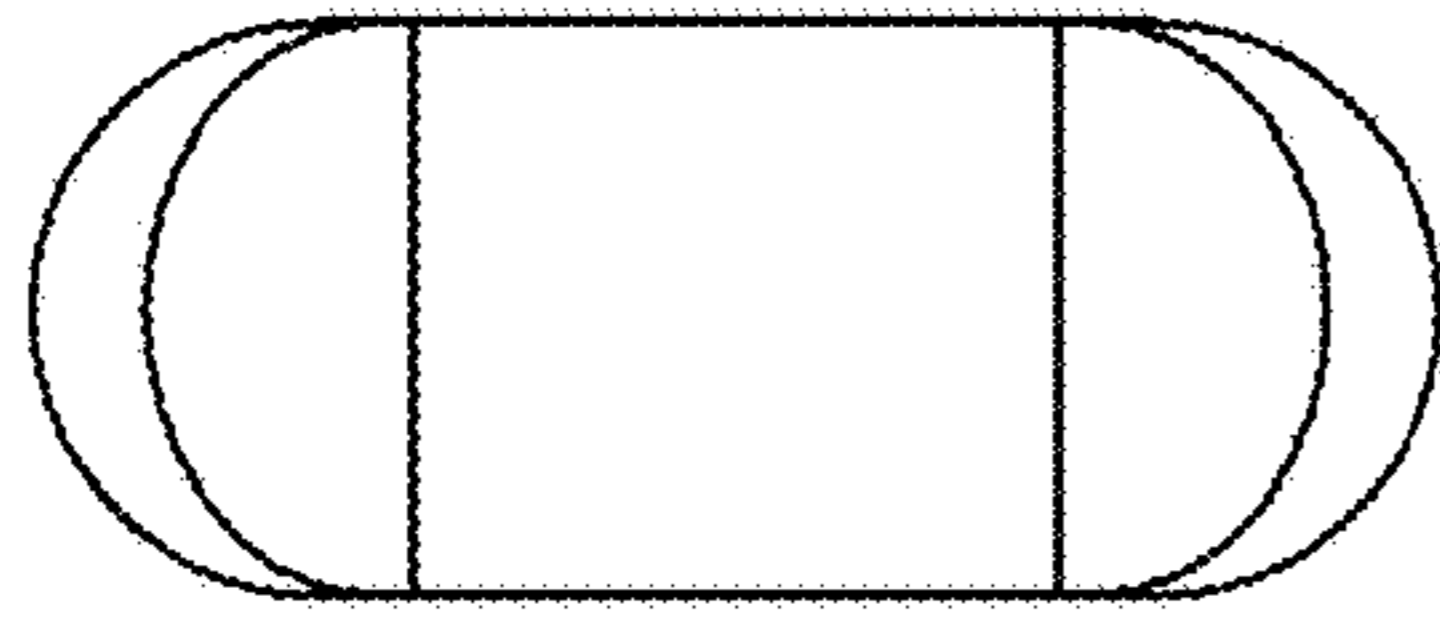


FIG. 5

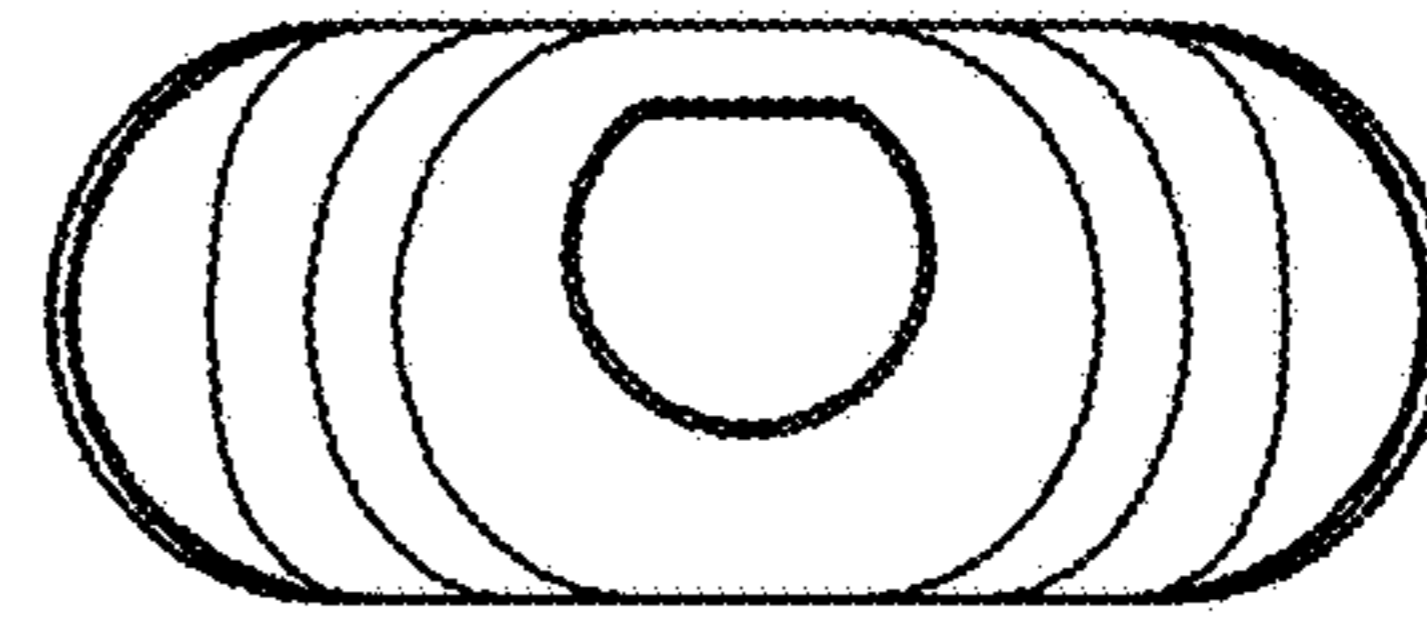


FIG. 6

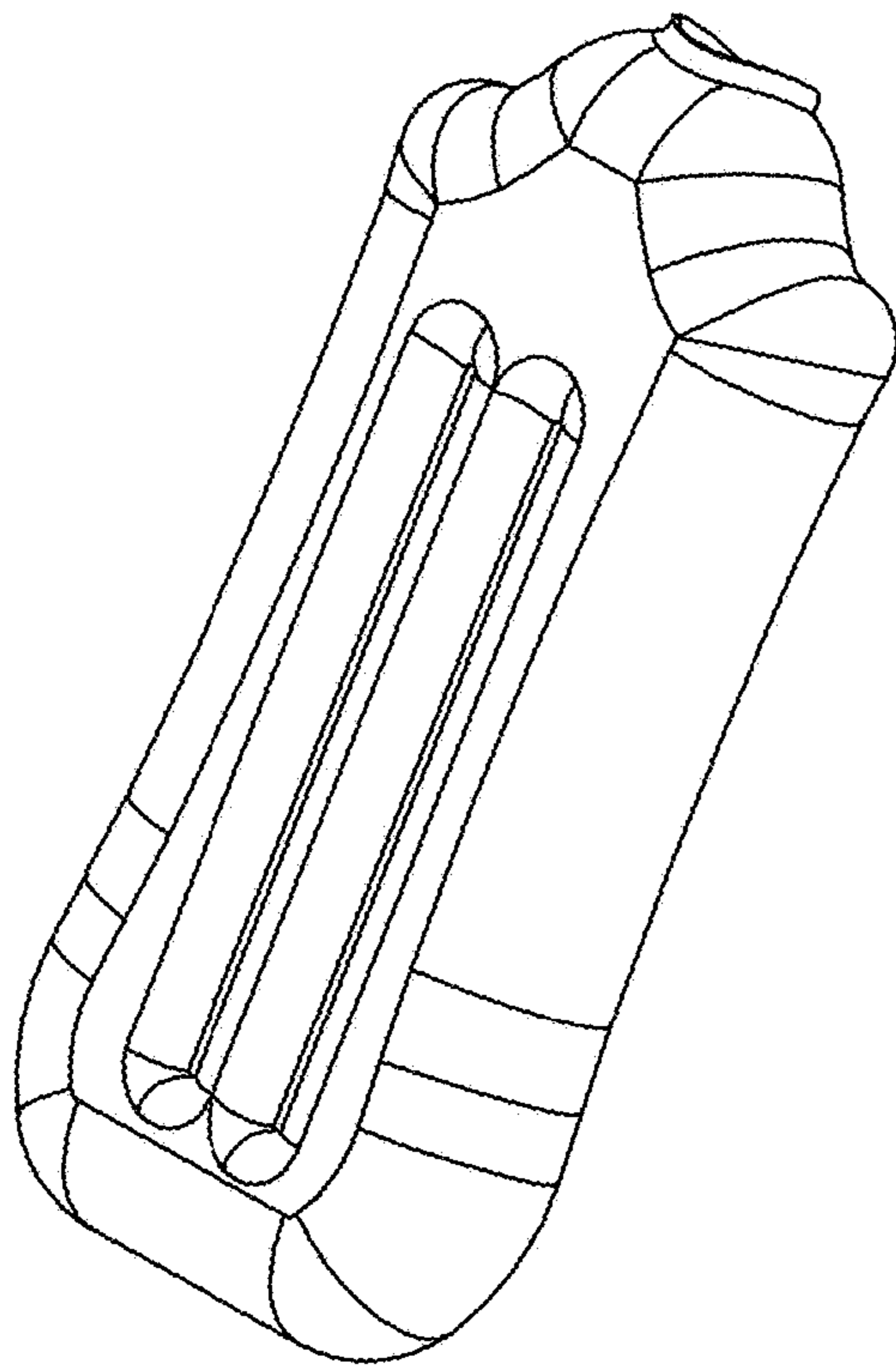


FIG. 7

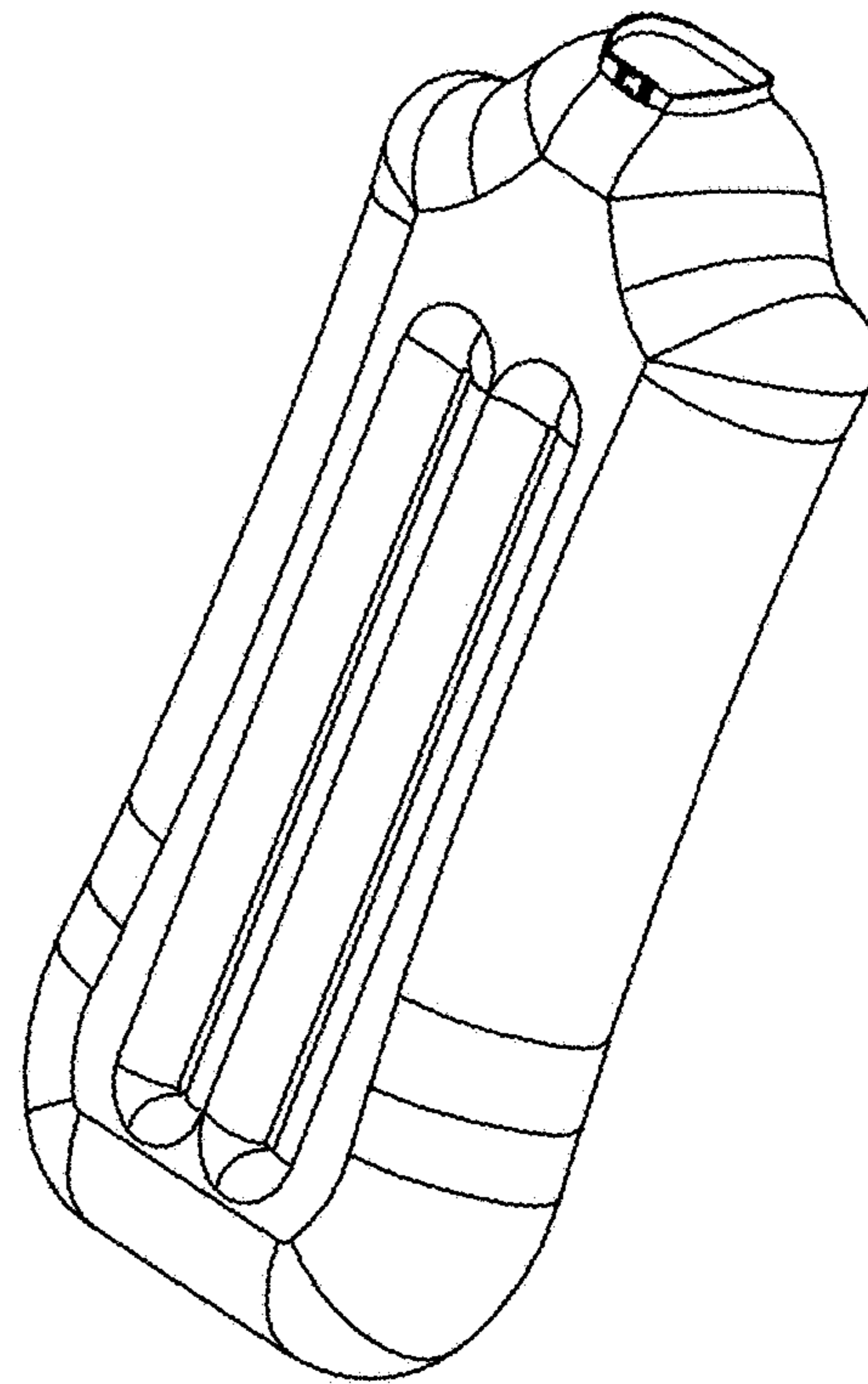


FIG. 8