



US00D838428S

(12) **United States Design Patent**  
**Ross et al.**

(10) **Patent No.:** **US D838,428 S**  
(45) **Date of Patent:** **\*\* Jan. 15, 2019**

- (54) **CONVEYOR PULLEY**
- (71) Applicant: **Douglas Manufacturing Co., Inc.**, Pell City, AL (US)
- (72) Inventors: **Paul Ross**, Pell City, AL (US);  
**Benjamin Brewer**, Pell City, AL (US);  
**Alberto Chamorro**, Pell City, AL (US);  
**Dennis Grizzell**, Pell City, AL (US);  
**Jeffery Carlisle**, Pell City, AL (US)
- (73) Assignee: **Douglas Manufacturing Co., Inc.**, Pell City, AL (US)
- (\*\*) Term: **15 Years**
- (21) Appl. No.: **29/605,444**
- (22) Filed: **May 25, 2017**
- (51) **LOC (11) Cl.** ..... **12-05**
- (52) **U.S. Cl.**  
USPC ..... **D34/35**
- (58) **Field of Classification Search**  
USPC ..... D34/28, 29, 33, 34, 35; 198/498, 835,  
198/611, 829, 842, 806, 669, 625, 494,  
198/501; 254/346, 356, 344; 474/185  
CPC ..... B65G 39/071; B65G 39/00; B65G 45/00  
See application file for complete search history.

- 3,661,246 A \* 5/1972 Faunce ..... B65G 39/071  
198/806
- 4,180,155 A 12/1979 Stevick
- 4,284,409 A \* 8/1981 Van Teslaar ..... F16H 55/38  
474/185
- 4,324,495 A 4/1982 Martinez  
(Continued)

**OTHER PUBLICATIONS**

Powerpoint presentation by Douglas Manufacturing.  
(Continued)

*Primary Examiner* — Cynthia Ramirez  
*Assistant Examiner* — Gino Colan  
(74) *Attorney, Agent, or Firm* — Bush Intellectual  
Property Law; Kenneth M. Bush

(57) **CLAIM**

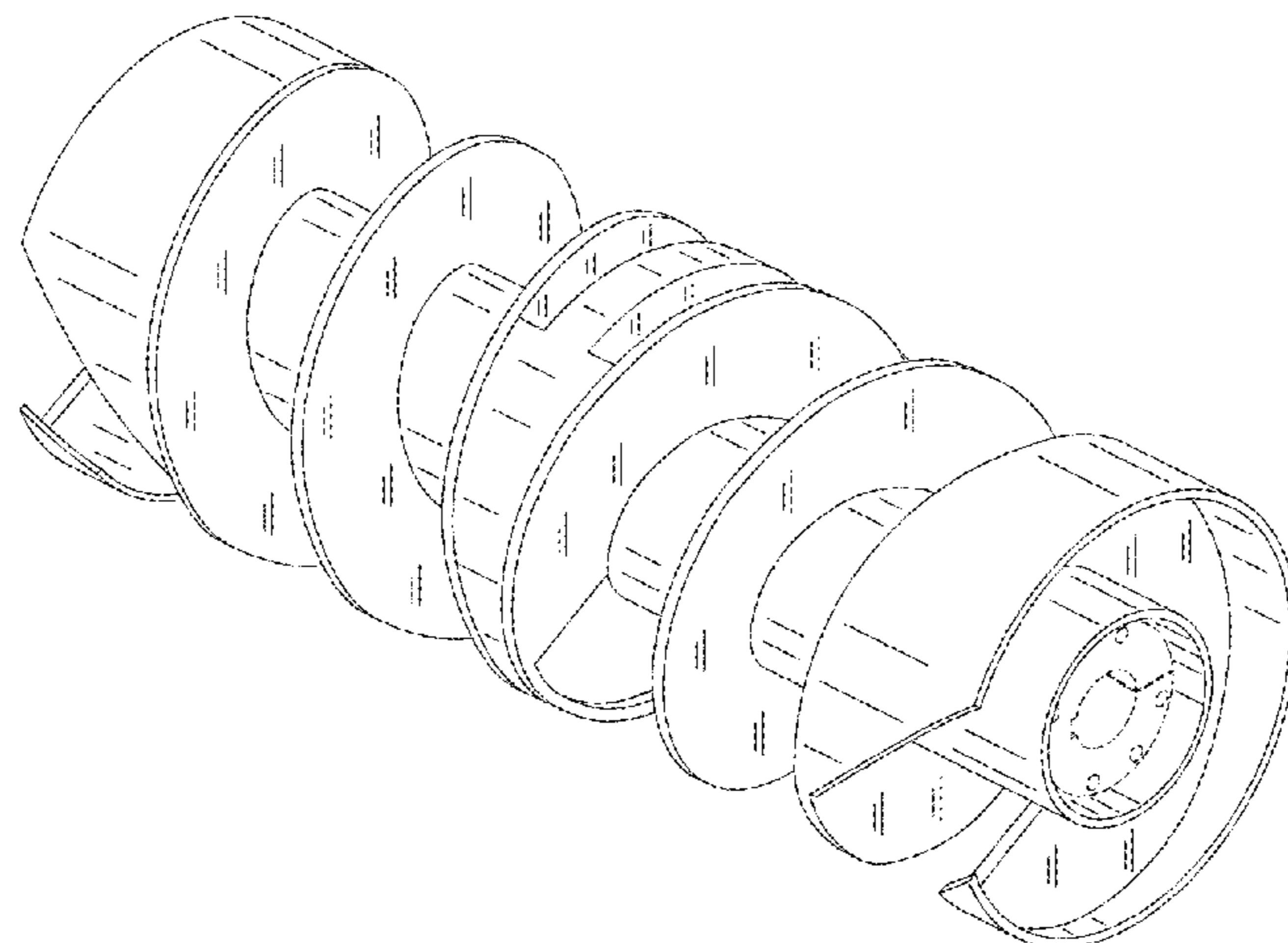
The ornamental design for a conveyor pulley, as shown and described.

**DESCRIPTION**

FIG. 1 is a top perspective view of the conveyor pulley; FIG. 2 is a bottom perspective view of the conveyor pulley; FIG. 3 is a side perspective view of the conveyor pulley; FIG. 4 is an opposite side perspective view of the conveyor pulley; FIG. 5 is a front perspective view of the conveyor pulley; FIG. 6 is an end view of the conveyor pulley, the opposite end view being a mirror image; FIG. 7 is a front elevation view of the conveyor pulley; FIG. 8 is a rear elevation view of the conveyor pulley; FIG. 9 is a top plan view of the conveyor pulley; and, FIG. 10 is a bottom plan view of the conveyor pulley. The broken lines shown in the figures are for the purpose of illustrating portions of the conveyor pulley and form no part of the claimed design.

**1 Claim, 5 Drawing Sheets**

- (56) **References Cited**  
U.S. PATENT DOCUMENTS
- 1,980,777 A \* 11/1934 Zollinger ..... B65G 39/071  
198/501
- 2,087,813 A 7/1937 Peterson
- 2,886,169 A \* 5/1959 Calder ..... B65G 39/073  
198/498
- 3,354,735 A \* 11/1967 Holz ..... B65G 39/07  
474/185
- 3,626,773 A \* 12/1971 Loeffler ..... B65G 39/073  
198/494
- 3,648,826 A \* 3/1972 Brooks ..... B65G 33/00  
198/625



(56)

**References Cited**

U.S. PATENT DOCUMENTS

4,499,992 A 2/1985 Paulson et al.  
4,913,279 A 4/1990 Tonissen  
5,213,202 A \* 5/1993 Arnold ..... A01F 15/18  
198/835  
8,739,965 B2 6/2014 Laughlin

OTHER PUBLICATIONS

Sales brochure from Douglas Manufacturing dated 2015 or earlier.  
Sales brochure from Applicant for related product publicly available  
as early as 2008-2009.

\* cited by examiner

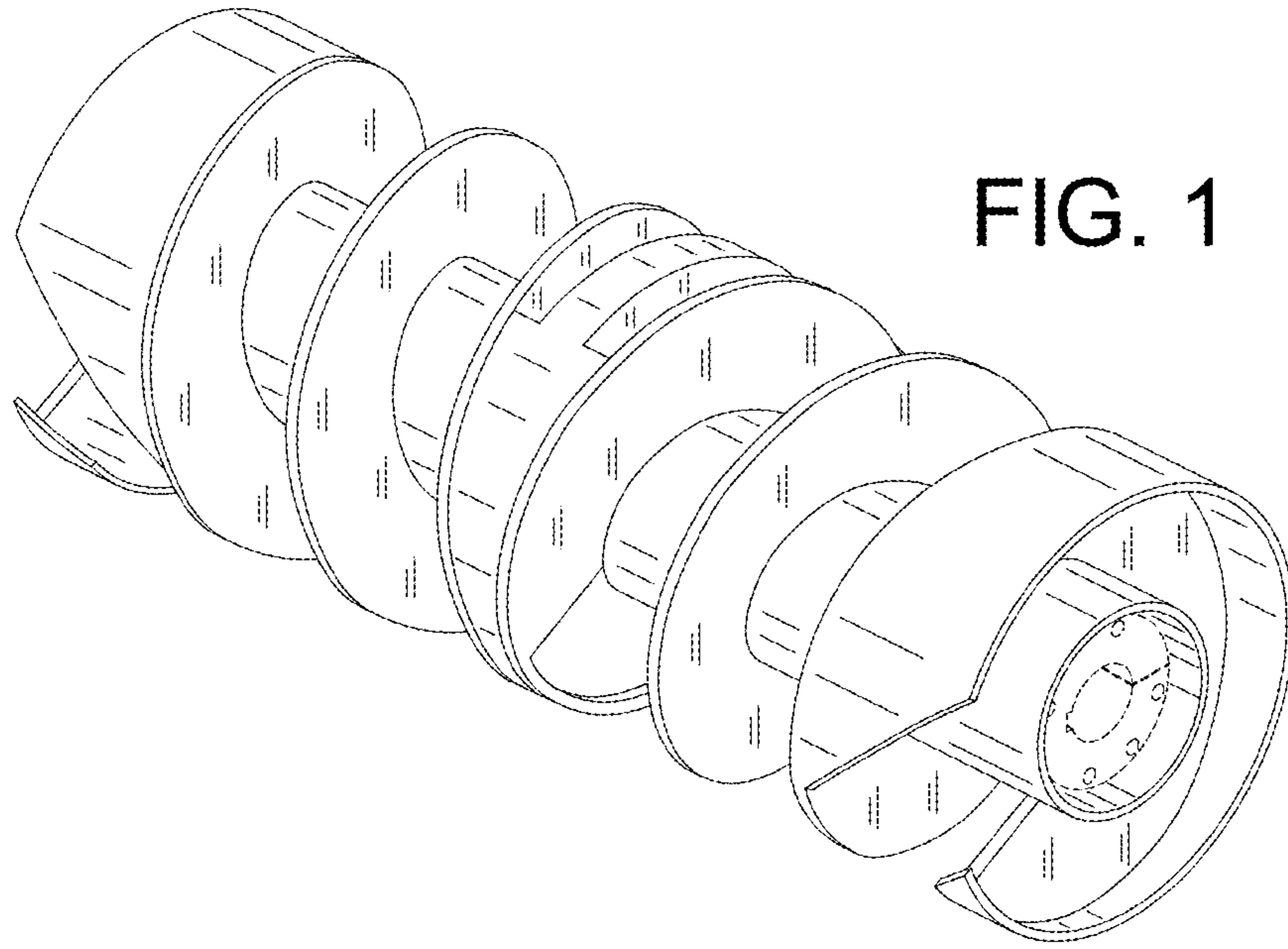


FIG. 1

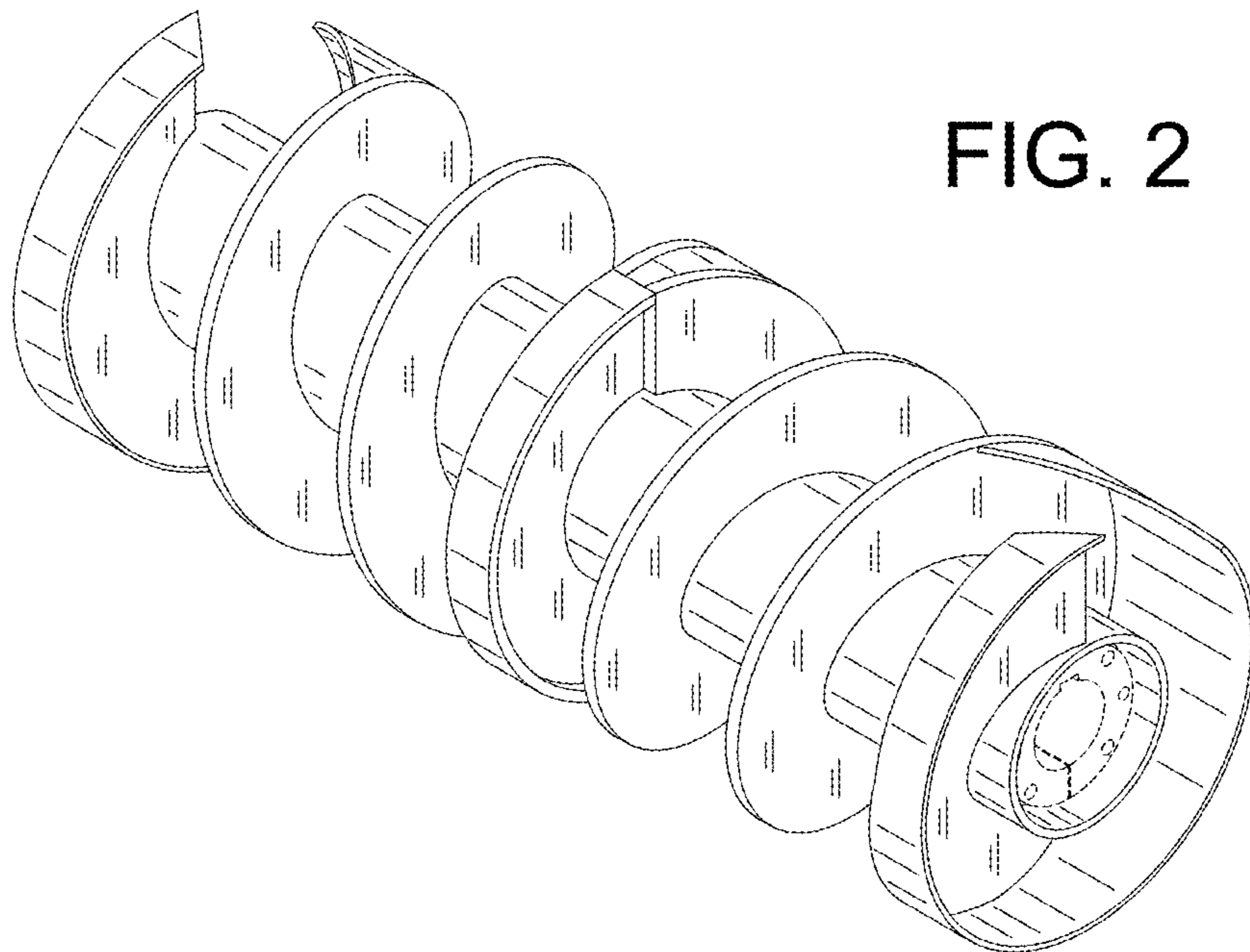


FIG. 2

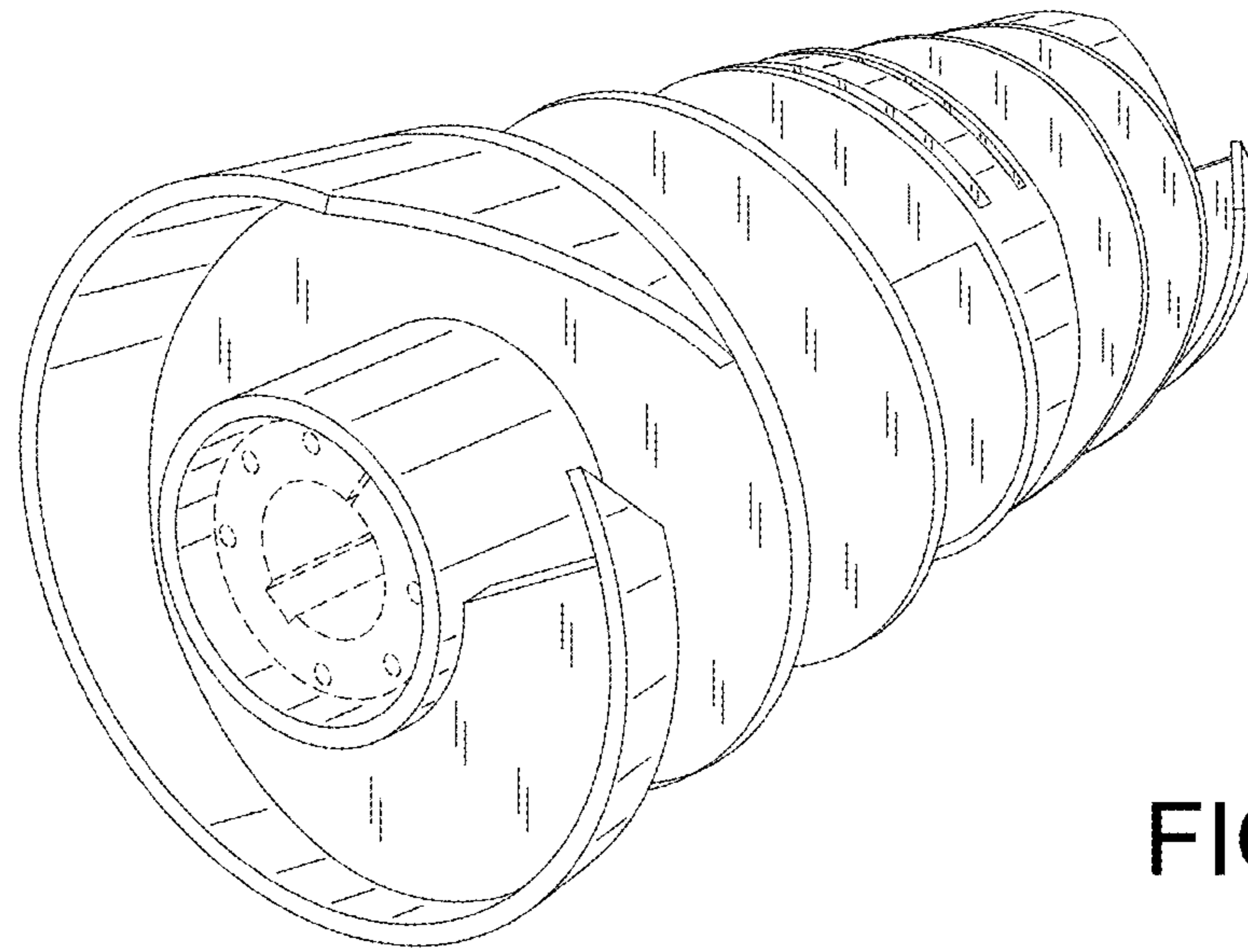


FIG. 3

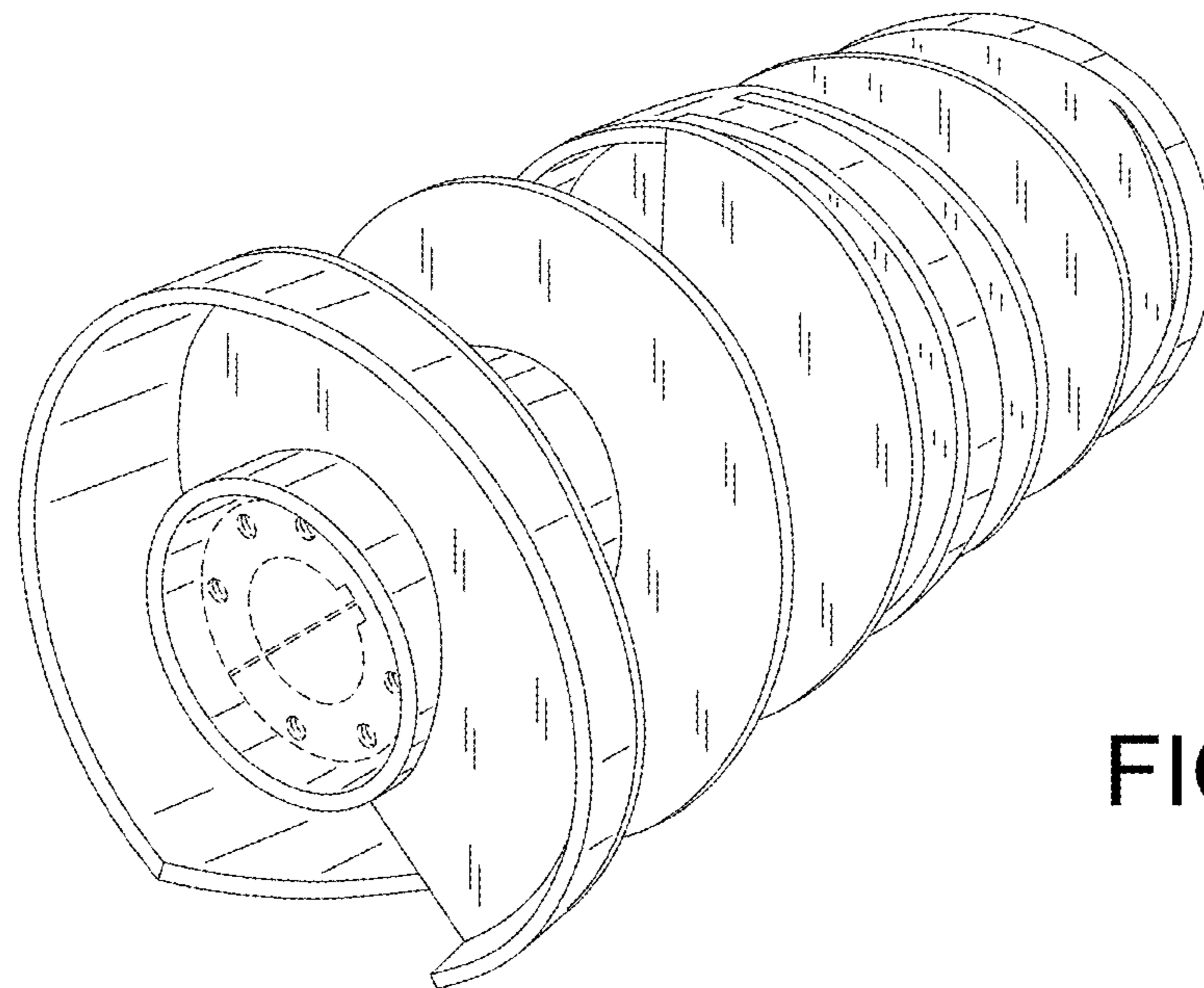


FIG. 4

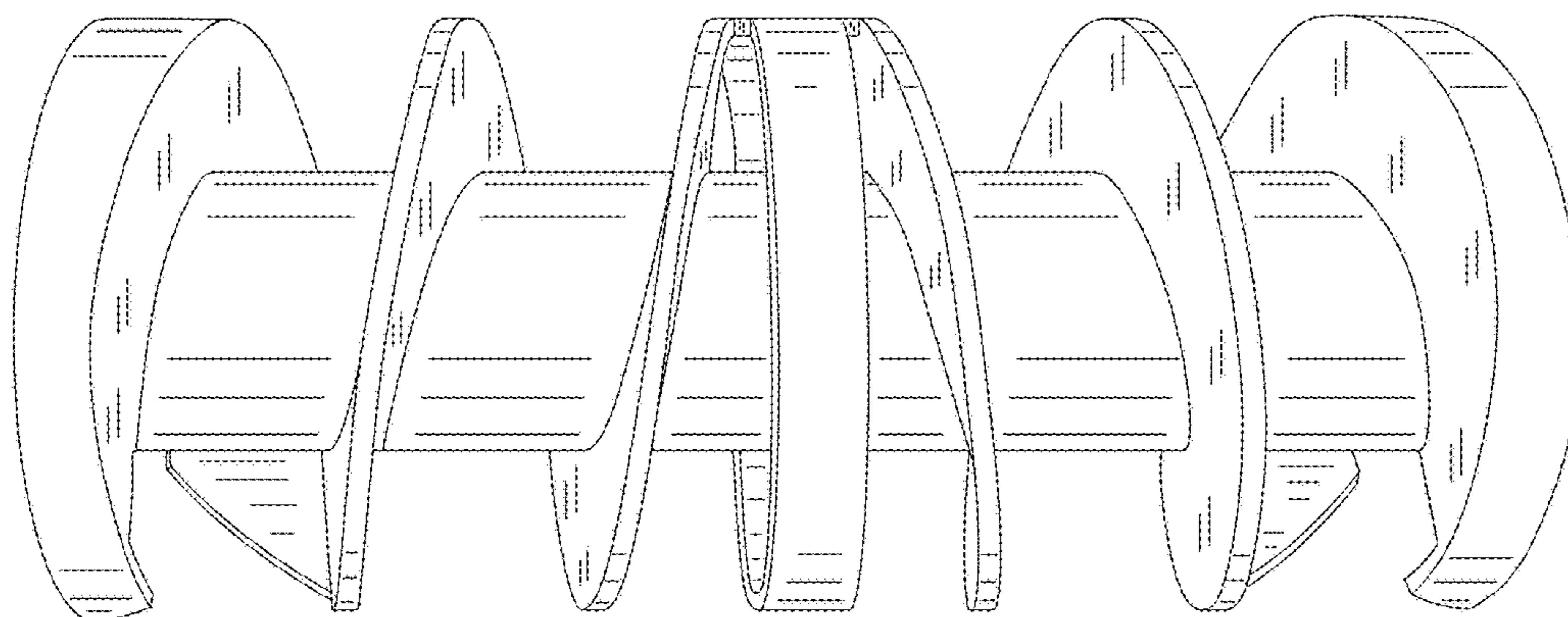


FIG. 5

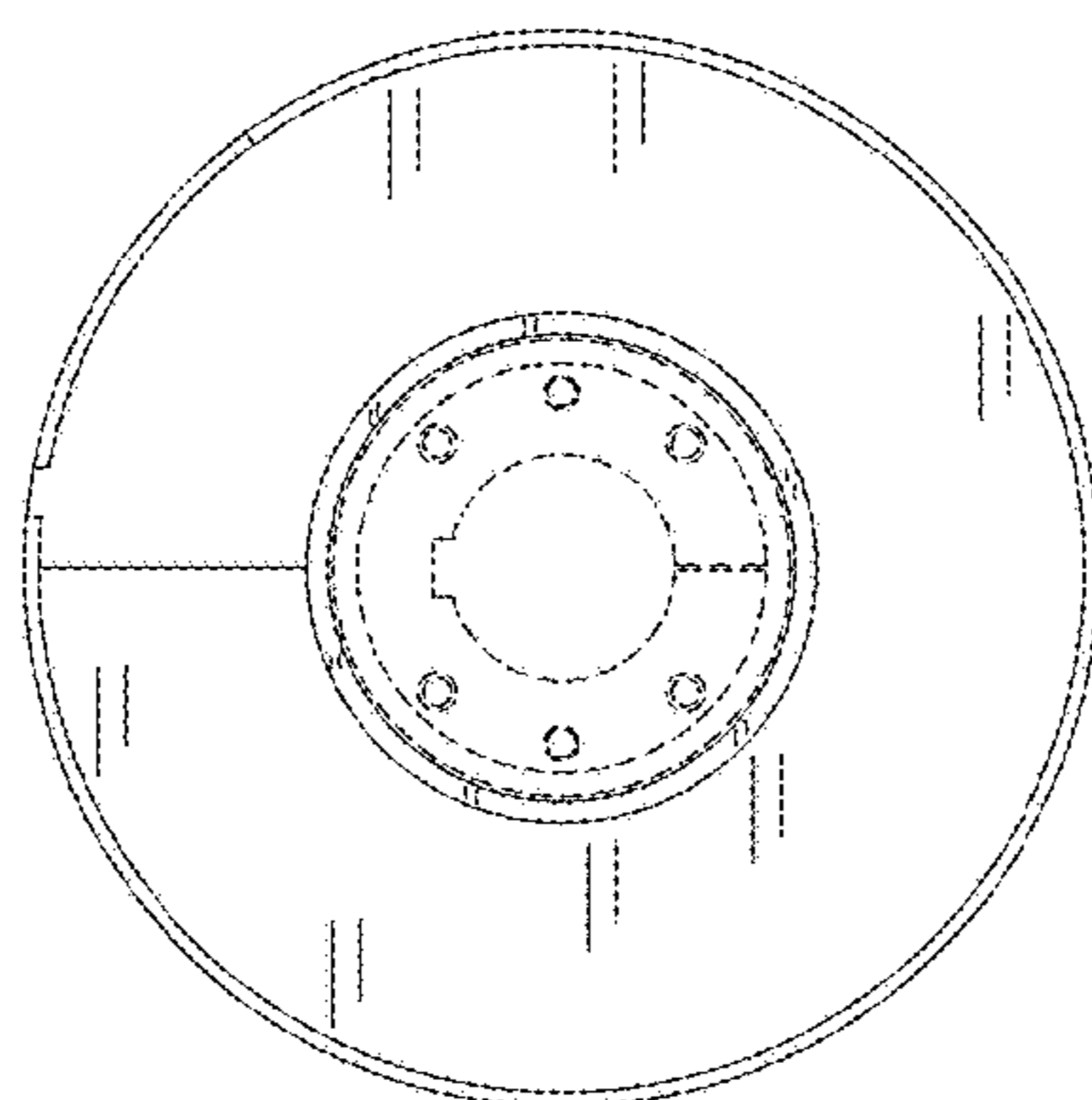


FIG. 6

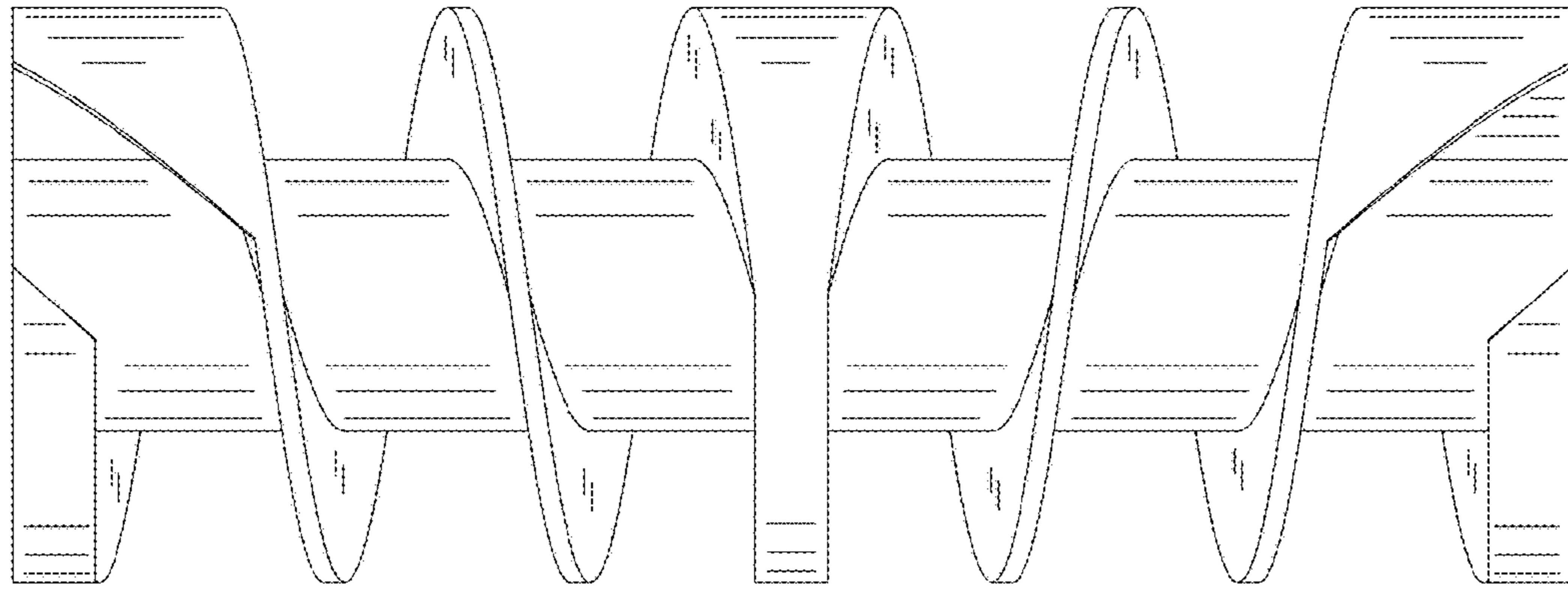


FIG. 7

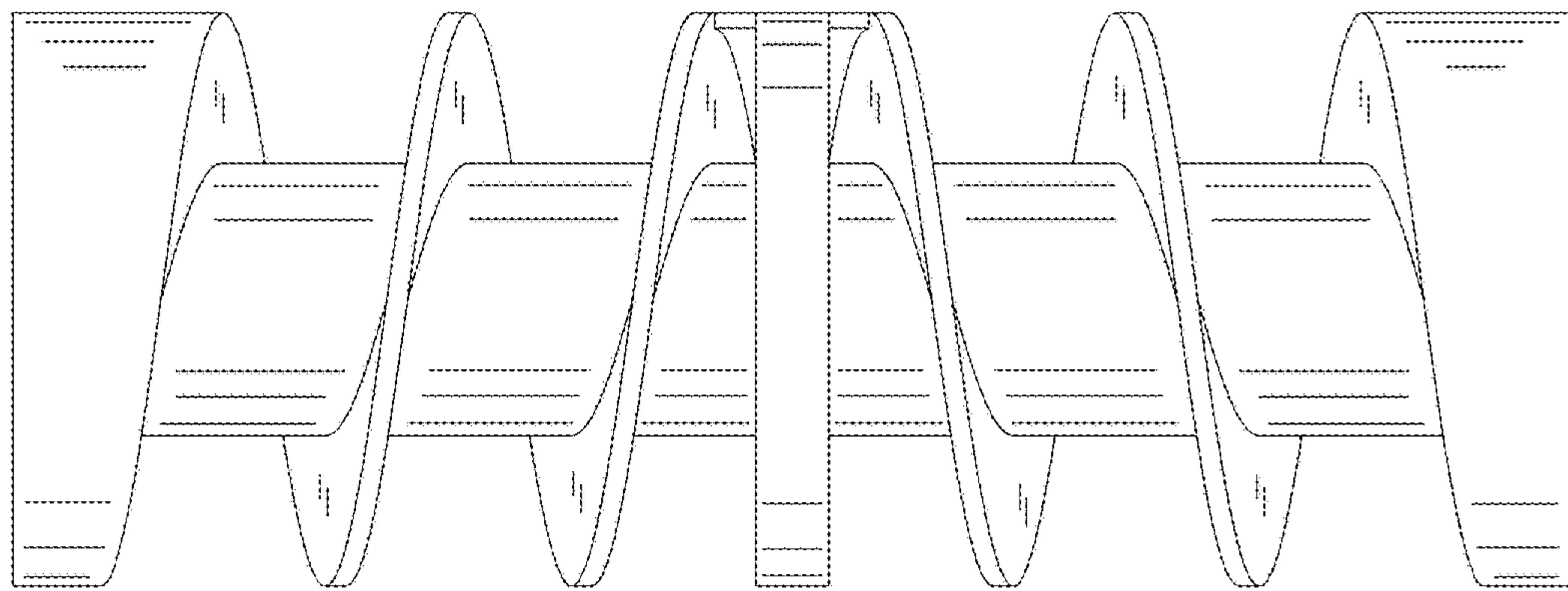


FIG. 8

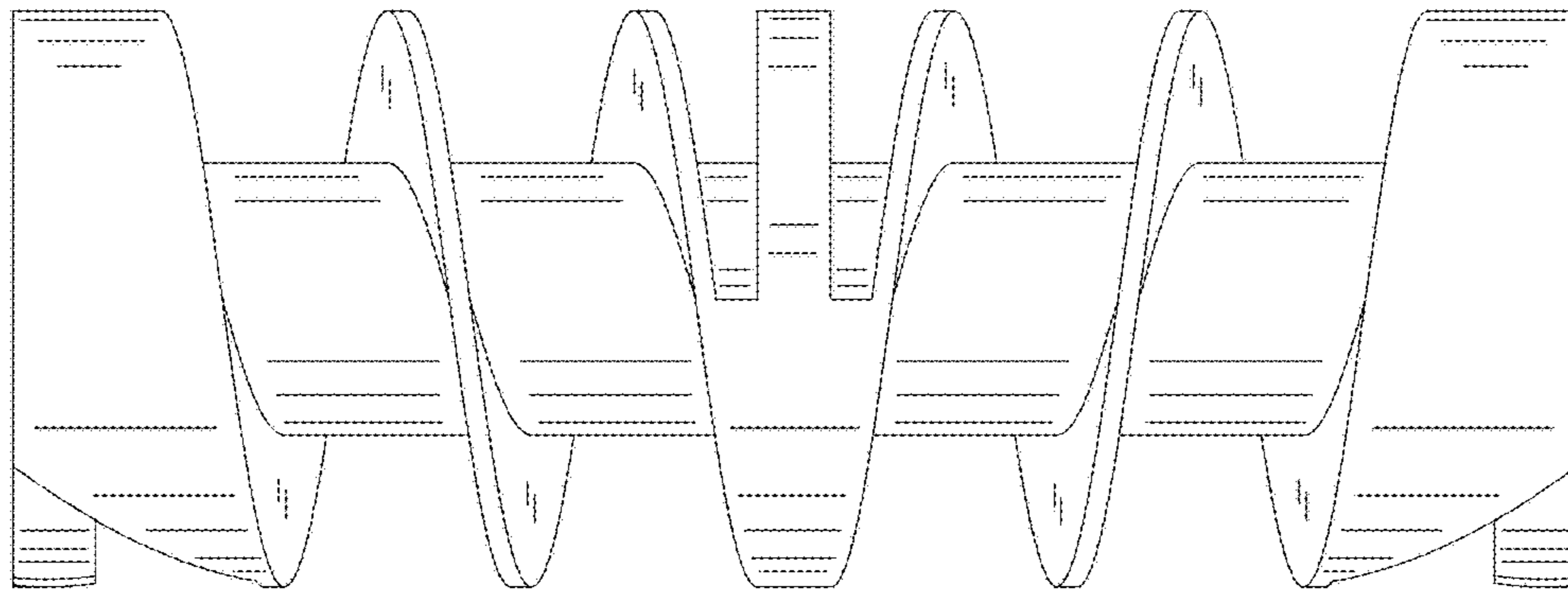


FIG. 9

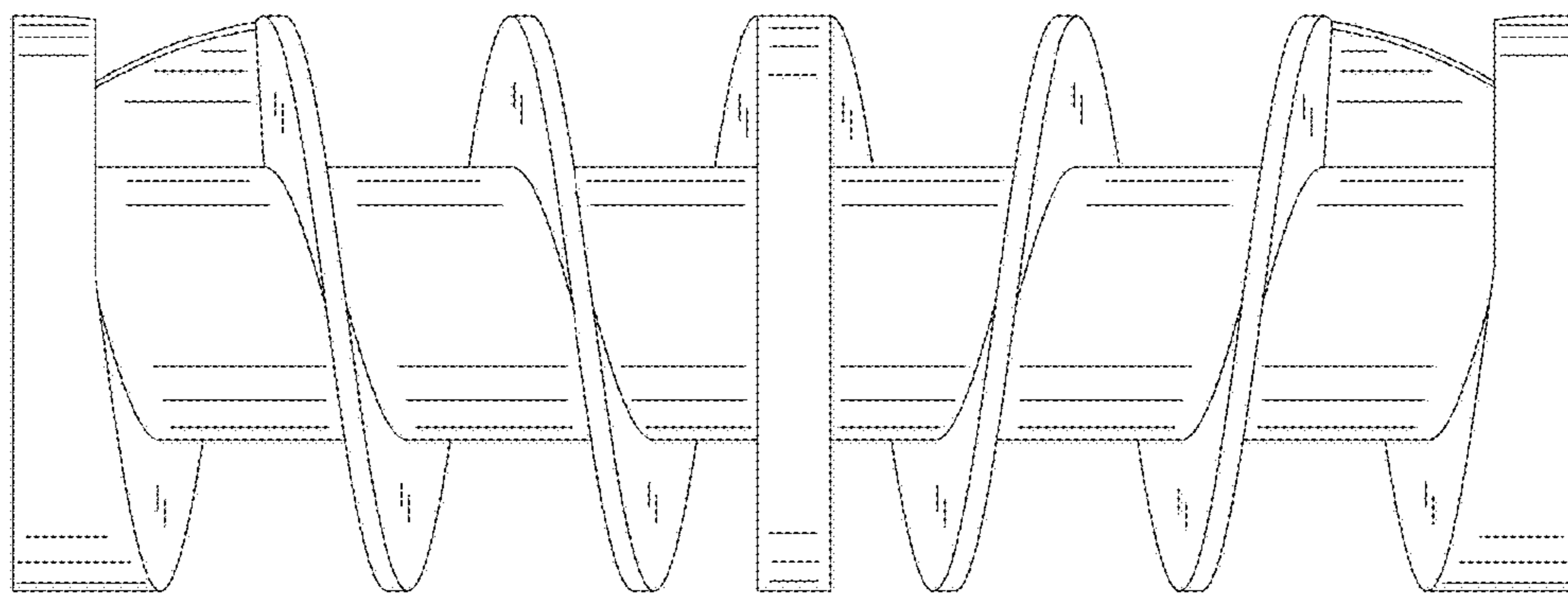


FIG. 10