



US00D838427S

(12) **United States Design Patent** (10) **Patent No.:** **US D838,427 S**  
**Magnusson** (45) **Date of Patent:** **\*\* Jan. 15, 2019**

- (54) **SHOPPING CART**
- (71) Applicant: **Advance Carts Inc.**, Boca Raton, FL (US)
- (72) Inventor: **Marcus Magnusson**, Boca Raton, FL (US)
- (73) Assignee: **Advance Carts Inc.**, Boca Raton, FL (US)
- (\*\*) Term: **15 Years**
- (21) Appl. No.: **29/595,374**
- (22) Filed: **Feb. 28, 2017**
- (51) **LOC (11) Cl.** ..... **12-02**
- (52) **U.S. Cl.**  
USPC ..... **D34/12**
- (58) **Field of Classification Search**  
USPC ..... D34/12, 13, 16, 17, 20, 21, 22, 23, 26, D34/27; 280/651, 47.34, 47.26, 47.19, 280/47.35, 30, 47.17, 654, 659, 79.11, 280/33.997, 33.993, 33.992  
CPC ..... B62B 1/12; B62B 5/0438; B62B 3/027; B62B 2206/006; B62B 3/0606  
See application file for complete search history.

5,306,033 A	4/1994	Evans
D348,549 S	7/1994	Trubiano
5,348,323 A	9/1994	Trubiano
5,494,306 A	2/1996	Adamson
5,505,472 A	4/1996	Trubiano
5,553,876 A	9/1996	Trubiano
D377,255 S	1/1997	Rehrig
5,702,114 A	12/1997	Downing
5,791,666 A	8/1998	Mainard
D400,679 S	11/1998	Kern
5,865,448 A	2/1999	Kern
5,947,313 A	9/1999	Kern
D431,704 S	10/2000	Perez
6,126,181 A	10/2000	Ondrasik

(Continued)

*Primary Examiner* — Cynthia Ramirez  
*Assistant Examiner* — Gino Colan  
 (74) *Attorney, Agent, or Firm* — Murtha Cullina LLP;  
 Anthony P. Gangemi

(57) **CLAIM**

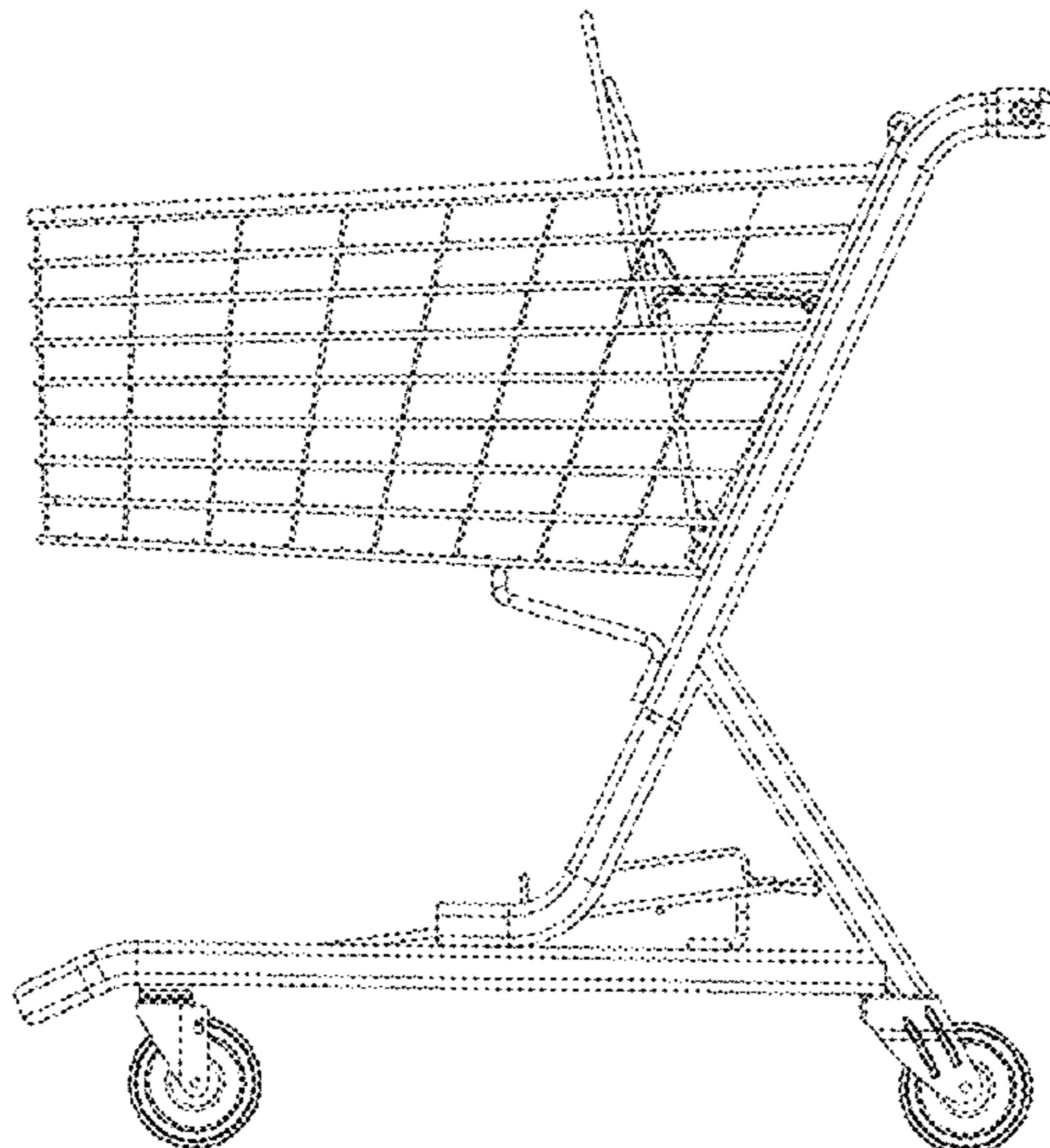
The ornamental design of a shopping cart, as shown and described.

**DESCRIPTION**

FIG. 1 is a right side view of a shopping cart showing my new design;  
 FIG. 2 is a left side view of the shopping cart shown in FIG. 1;  
 FIG. 3 is a front view of the shopping cart shown in FIG. 1;  
 FIG. 4 is a rear view of the shopping cart shown in FIG. 1;  
 FIG. 5 is a top view of the shopping cart shown in FIG. 1;  
 FIG. 6 is a bottom view of the shopping cart shown in FIG. 1;  
 FIG. 7 is a rear isometric view of the shopping cart shown in FIG. 1; and,  
 FIG. 8 is a front isometric view of the shopping cart shown in FIG. 1.

**1 Claim, 8 Drawing Sheets**

- (56) **References Cited**  
U.S. PATENT DOCUMENTS
- |             |         |             |
|-------------|---------|-------------|
| 3,361,438 A | 1/1968  | Davis       |
| 3,645,554 A | 2/1972  | Von Stein   |
| D283,264 S  | 4/1986  | Levy-Joseph |
| 4,632,411 A | 12/1986 | Badger      |
| D288,619 S  | 3/1987  | Trubiano    |
| D294,419 S  | 2/1988  | Rehrig      |
| 4,773,175 A | 9/1988  | Larsen      |
| 4,850,684 A | 7/1989  | Inaba       |
| 5,203,578 A | 4/1993  | Davidson    |
| 5,255,930 A | 10/1993 | Jones       |



(56)

References Cited

U.S. PATENT DOCUMENTS

D445,230 S	7/2001	Deal		D633,269 S	2/2011	Walter	
D463,647 S *	9/2002	Deal .....	D34/21	D638,602 S	5/2011	Walter	
6,540,240 B2	4/2003	Nadeau		D639,521 S	6/2011	Walter	
6,644,674 B2	11/2003	Simard		D643,175 S	8/2011	Peota	
6,705,623 B2	3/2004	Nadeau		D644,809 S	9/2011	Walter	
D493,594 S	7/2004	Prather		D656,288 S	3/2012	Walter	
6,761,364 B2	7/2004	Murar		D656,700 S	3/2012	Walter	
6,932,363 B2	8/2005	D'Angelo		D658,841 S	5/2012	Walter	
7,104,552 B2	9/2006	Swanson		D663,091 S	7/2012	Walter	
7,168,711 B2	1/2007	Ondrasik		D700,762 S	3/2014	Walter	
D538,501 S	3/2007	Walter		D751,264 S *	3/2016	Walter .....	D34/21
D550,423 S	9/2007	Splain		RE45,961 E	4/2016	Walter	
D556,413 S	11/2007	Splain		D763,536 S *	8/2016	Walter .....	D34/27
7,322,582 B2	1/2008	Prather		RE46,268 E	1/2017	Walter	
D564,172 S	3/2008	Steinhobel		RE46,281 E	1/2017	Walter	
D566,372 S	4/2008	Walter		D796,144 S *	8/2017	Lazzarino .....	D34/17
D580,619 S	11/2008	Walter		D800,986 S *	10/2017	Magnusson .....	D34/17
D584,023 S	12/2008	Walter		2001/0022436 A1	9/2001	Simard	
D628,759 S *	12/2010	Walter .....	D34/27	2002/0135144 A1	9/2002	Murar	
				2003/0197339 A1	10/2003	D'Angelo	
				2008/0111328 A1	5/2008	Ryan	

\* cited by examiner

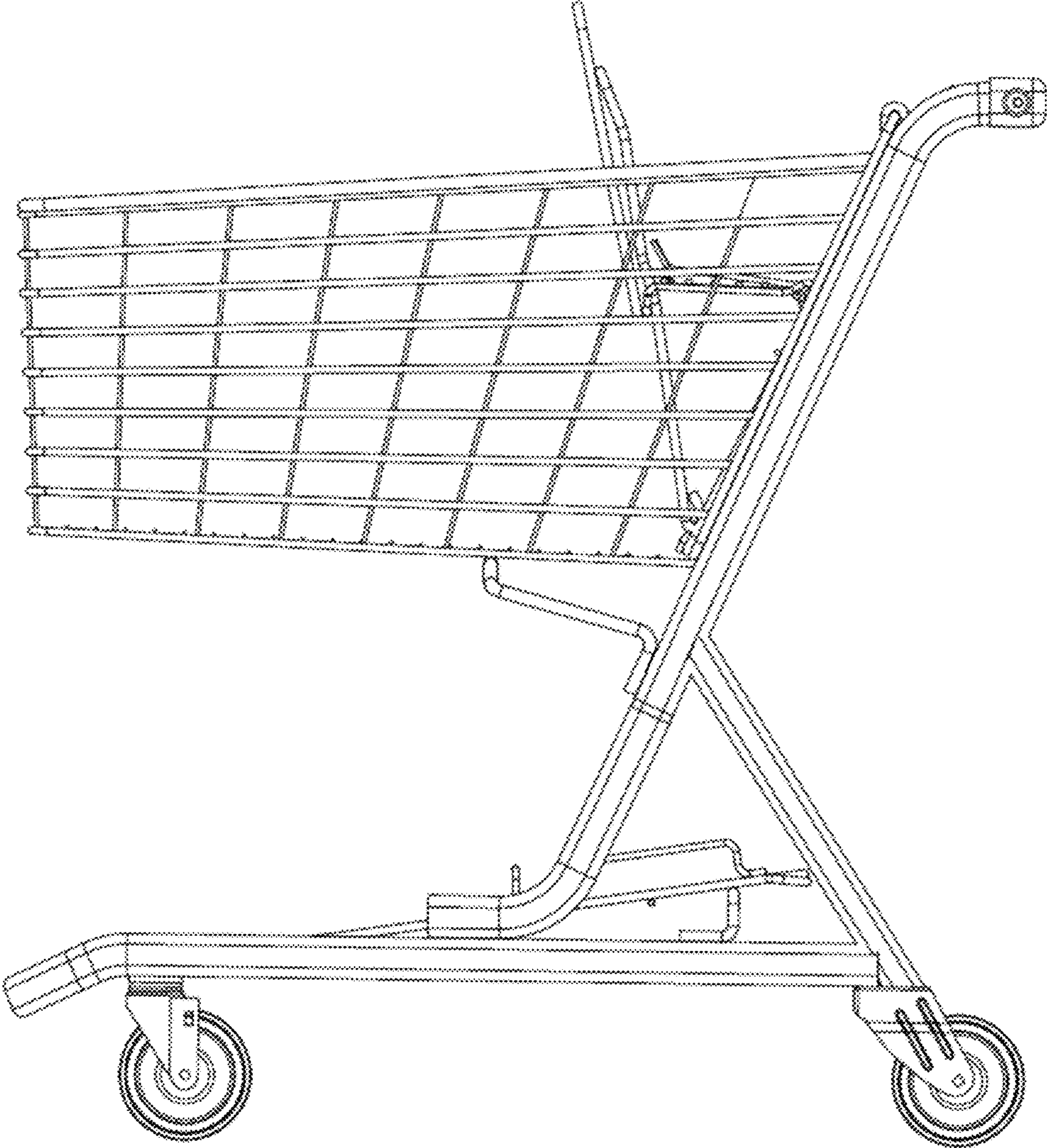


FIG. 1

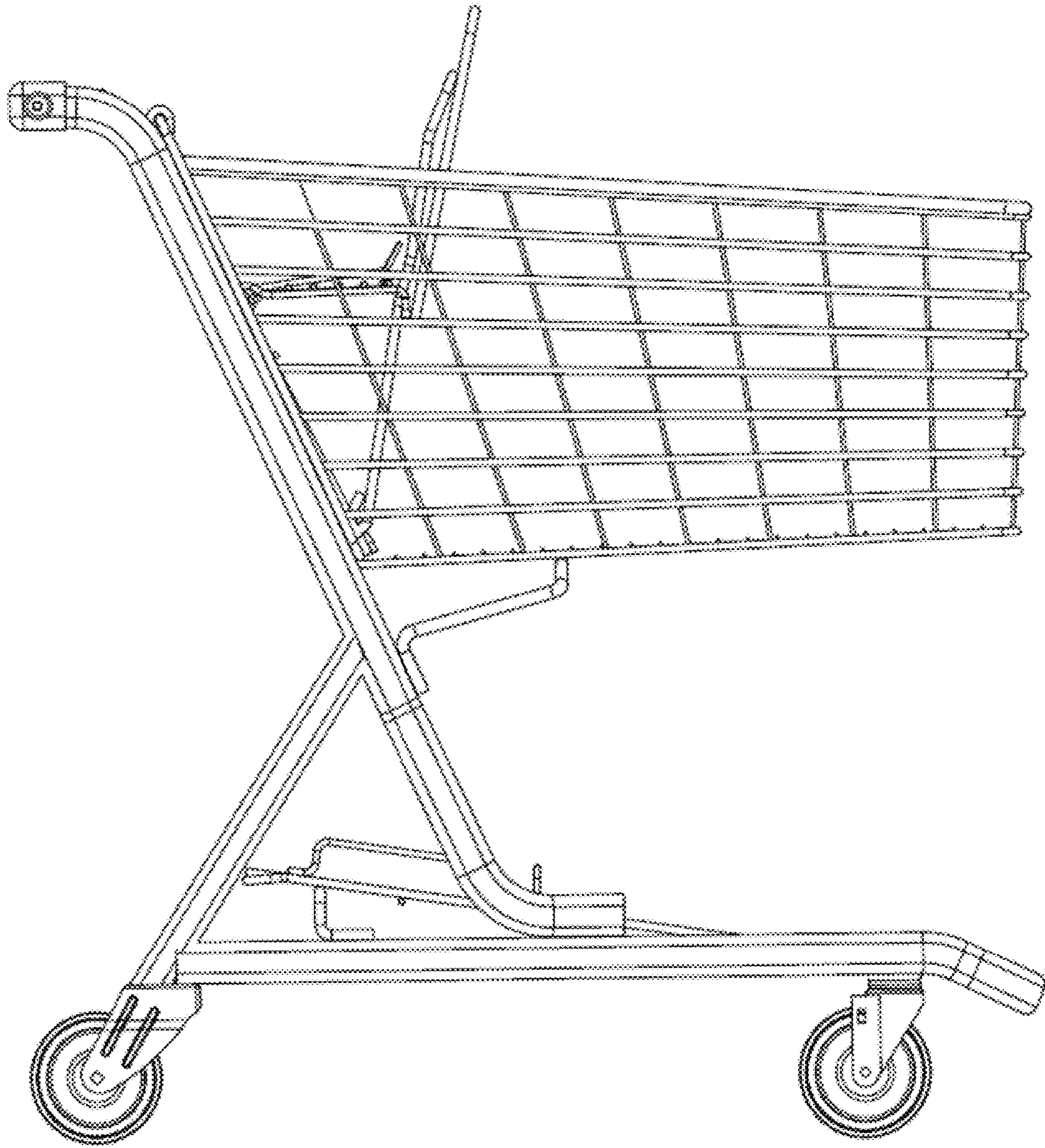


FIG. 2

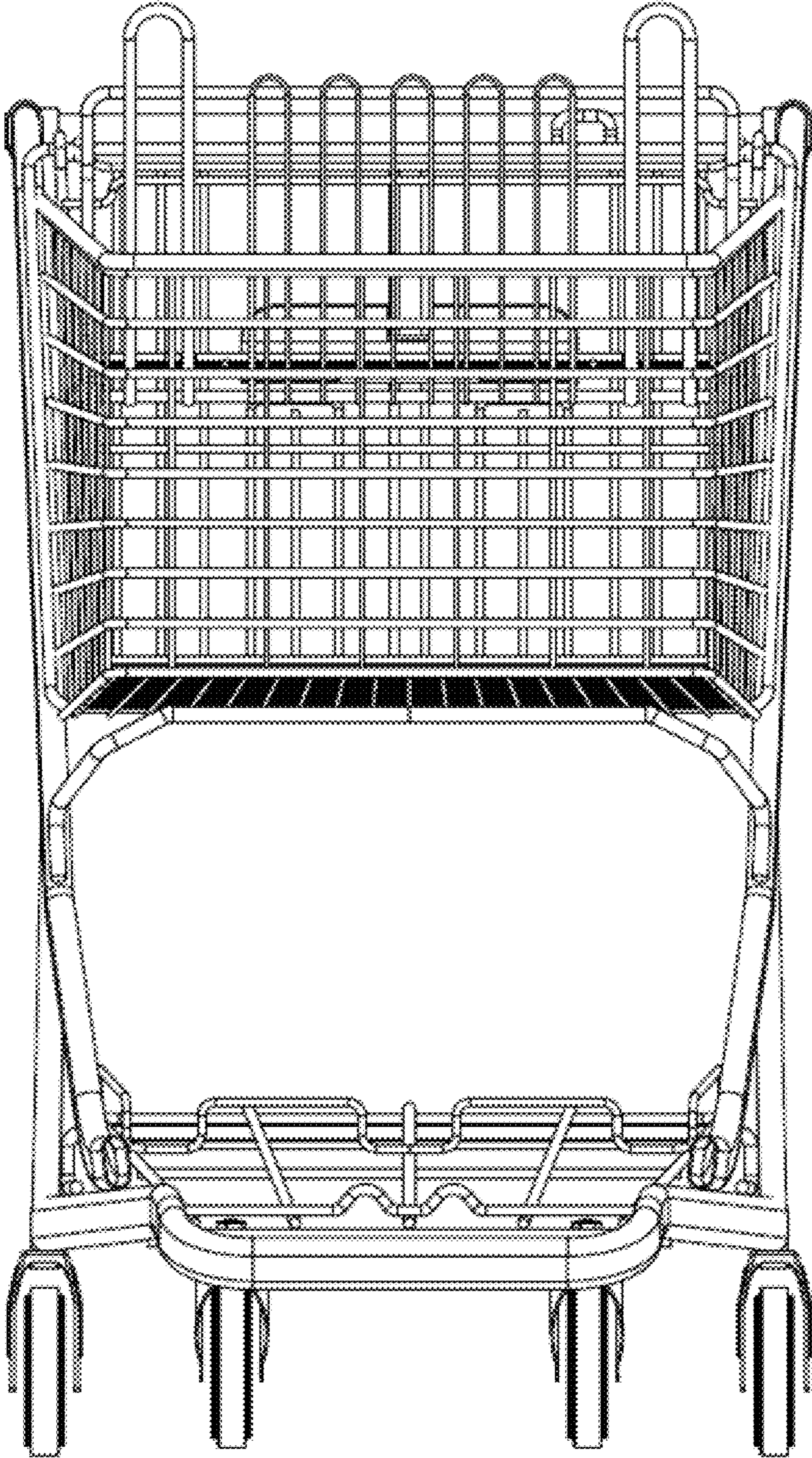


FIG. 3

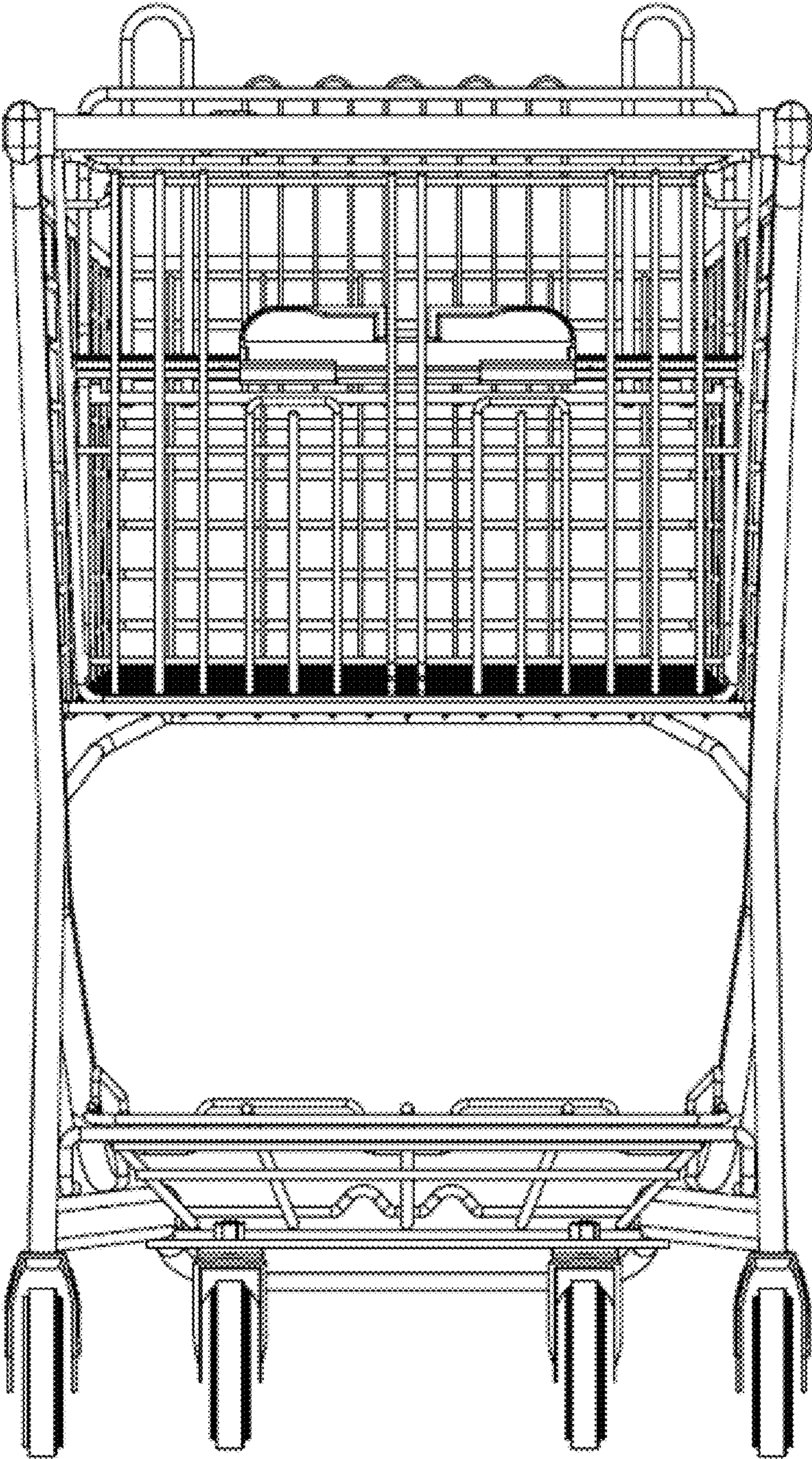


FIG. 4

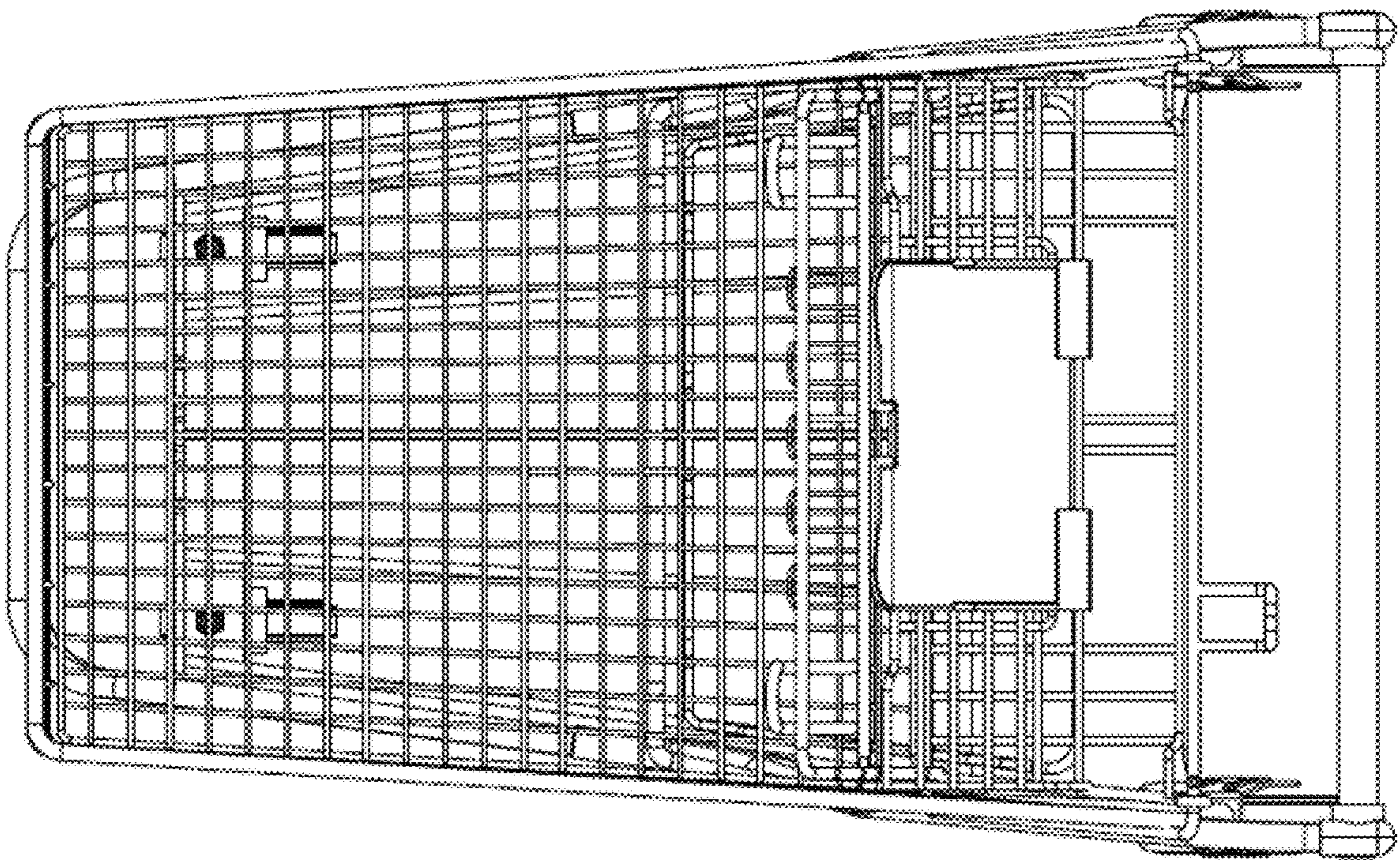


FIG. 5

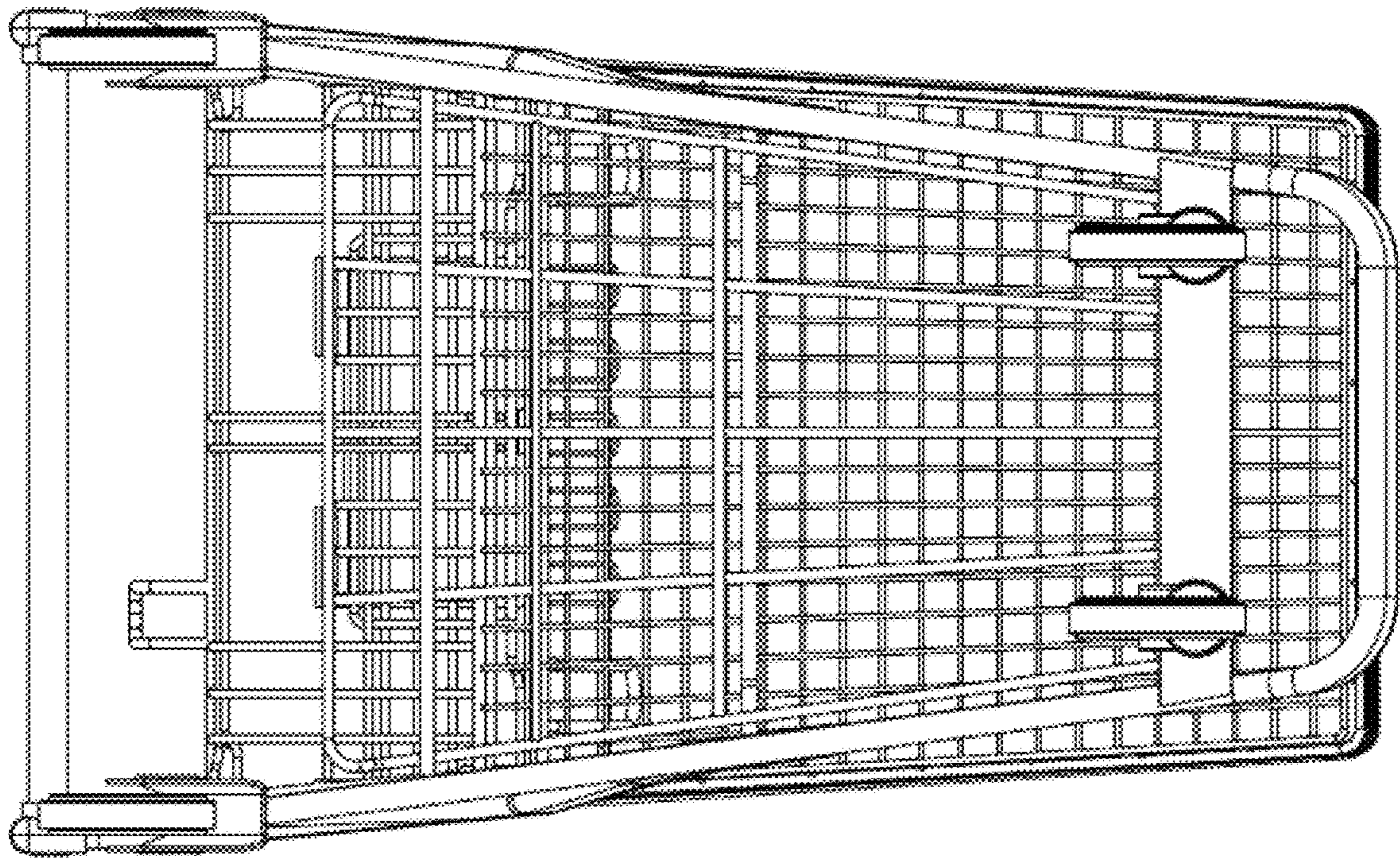


FIG. 6





FIG. 7



FIG. 8