



US00D838425S

(12) **United States Design Patent**  
**Ahn**

(10) **Patent No.:** **US D838,425 S**

(45) **Date of Patent:** **\*\* Jan. 15, 2019**

(54) **IRON**

(71) Applicant: **Chang Eun Ahn**, Yongin-si (KR)

(72) Inventor: **Chang Eun Ahn**, Yongin-si (KR)

(\*\*) Term: **15 Years**

(21) Appl. No.: **29/627,563**

(22) Filed: **Nov. 28, 2017**

(51) **LOC (11) Cl.** ..... **07-05**

(52) **U.S. Cl.**  
USPC ..... **D32/70**

(58) **Field of Classification Search**  
USPC ..... D32/71, 73, 72, 70, 69, 68, 35; D8/71,  
D8/373, 349, 396, 30; D15/144, 144.2;  
D28/73; 219/231, 242, 229; 165/80.1;  
126/414  
CPC ..... D06F 75/34; D06F 75/08; D06F 75/38;  
D06F 75/00; F22B 27/14; B08B 3/006  
See application file for complete search history.

(56) **References Cited**

**U.S. PATENT DOCUMENTS**

D531,774 S \* 11/2006 Grossi ..... D32/70  
D587,419 S \* 2/2009 Garman ..... D32/69

D629,989 S \* 12/2010 Hollerich ..... D32/70  
D653,415 S \* 1/2012 Zegdon ..... D32/70  
D663,087 S \* 7/2012 Grossi ..... D32/70  
D704,913 S \* 5/2014 Choi ..... D32/70  
D707,007 S \* 6/2014 Smith ..... D32/70  
D714,007 S \* 9/2014 La Rovere ..... D32/70  
D733,381 S \* 6/2015 Shalvi ..... D32/70  
D739,630 S \* 9/2015 Luang ..... D32/70  
D762,935 S \* 8/2016 Dadon ..... D32/70

\* cited by examiner

*Primary Examiner* — Austin Murphy

(74) *Attorney, Agent, or Firm* — Lee & Associates, LLC

(57) **CLAIM**

The ornamental design for an iron, as shown and described.

**DESCRIPTION**

FIG. 1 is a front, top, and right side perspective view of an iron according to an embodiment of the present invention; FIG. 2 is a front elevation view of the iron; FIG. 3 is a rear elevation view thereof; FIG. 4 is a left side elevation view thereof; FIG. 5 is a right side elevation view thereof; FIG. 6 is a top plan view thereof; FIG. 7 is a bottom plan view thereof; and, FIG. 8 is a bottom plan view of the iron, shown with the iron soleplates separated to an extended position in an arrowed direction.

**1 Claim, 8 Drawing Sheets**

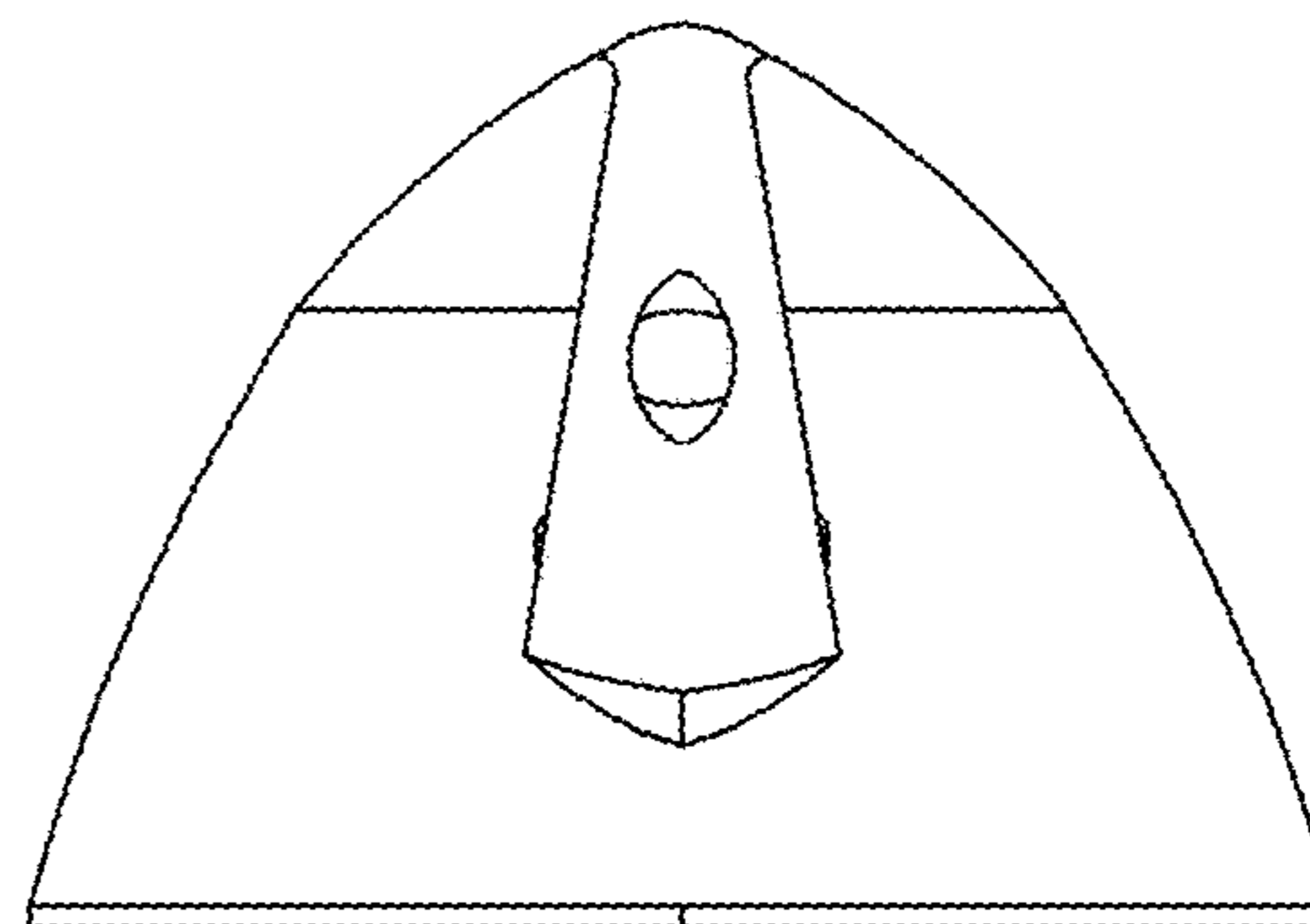
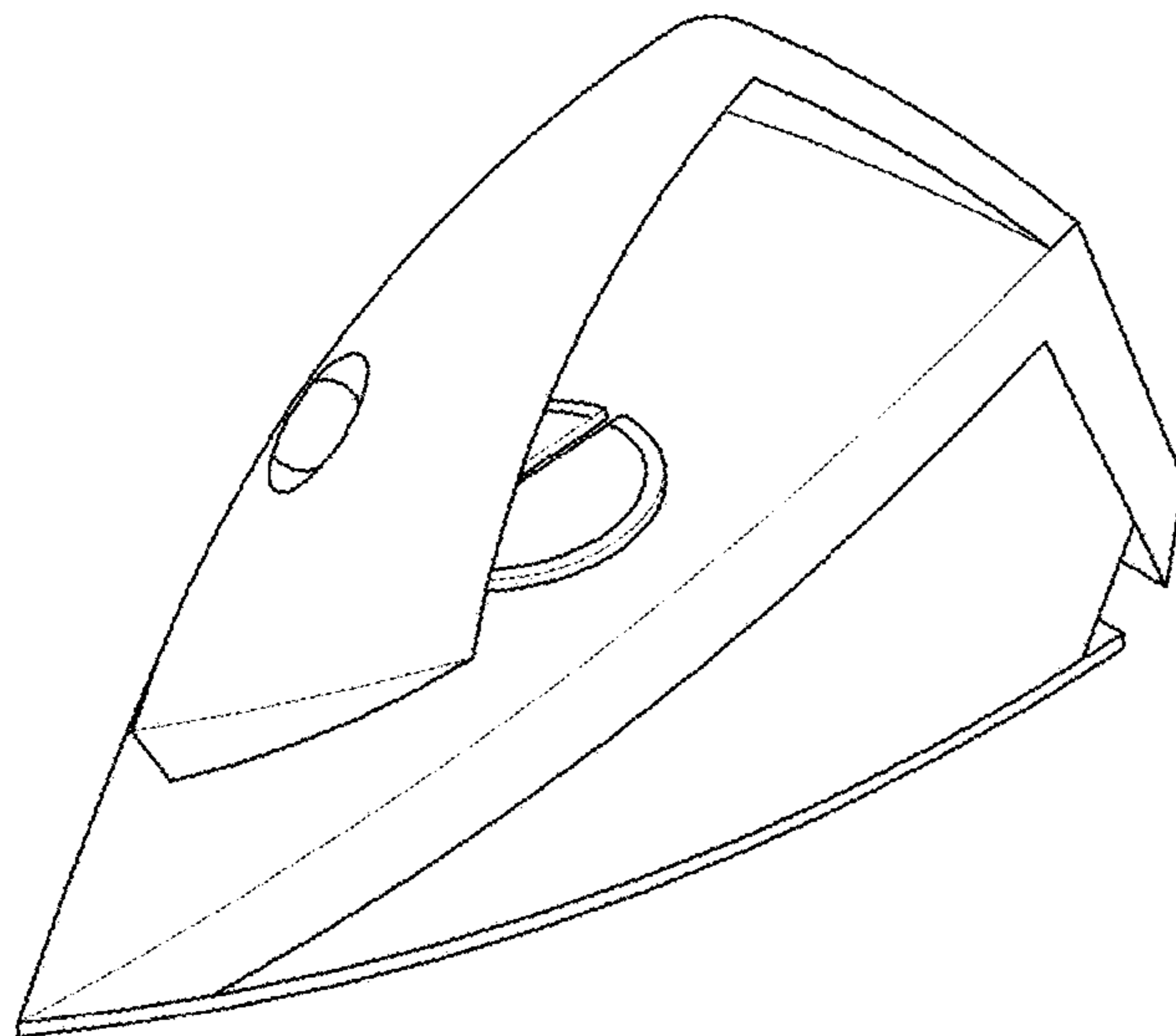


FIG. 1

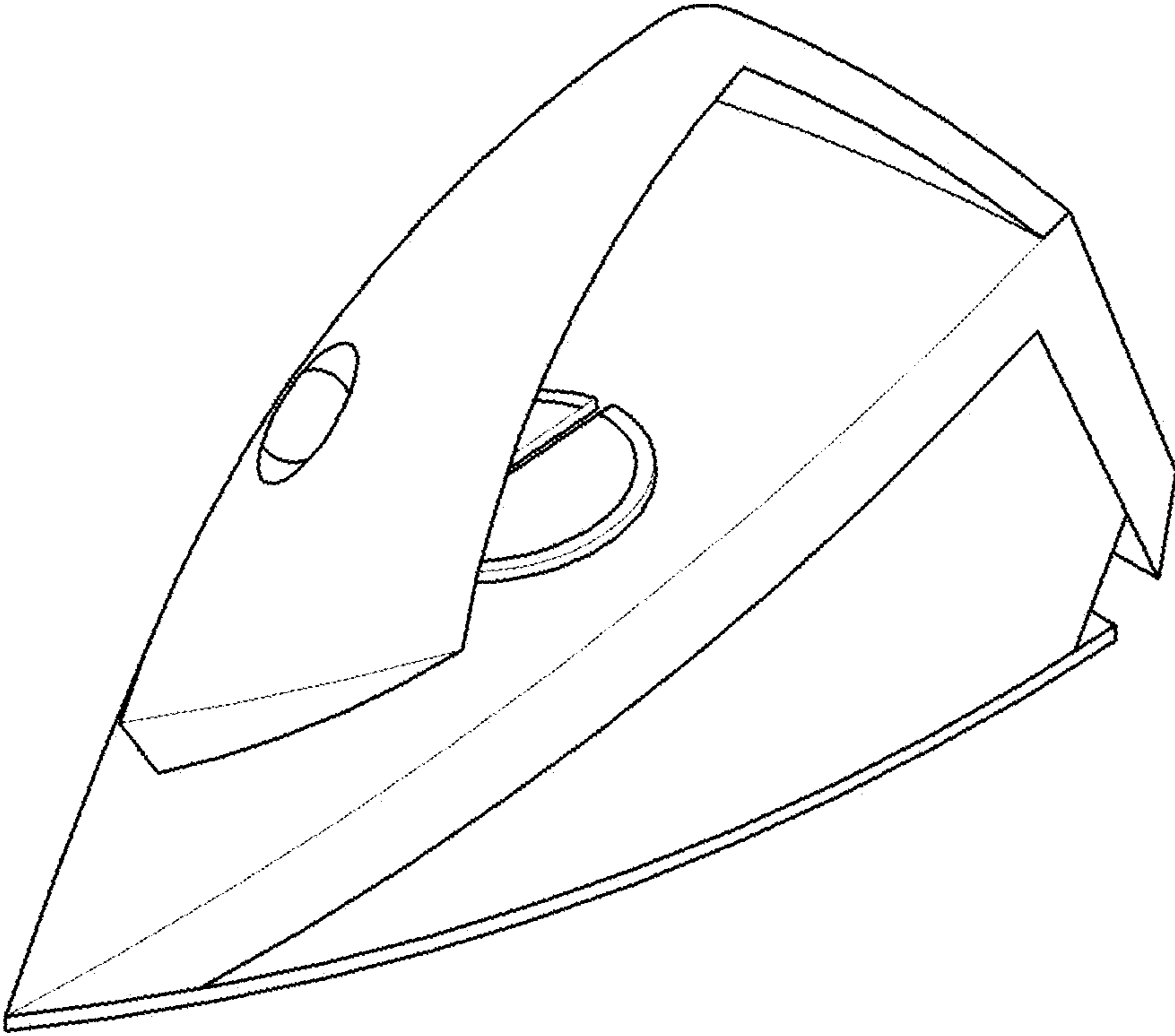


FIG. 2

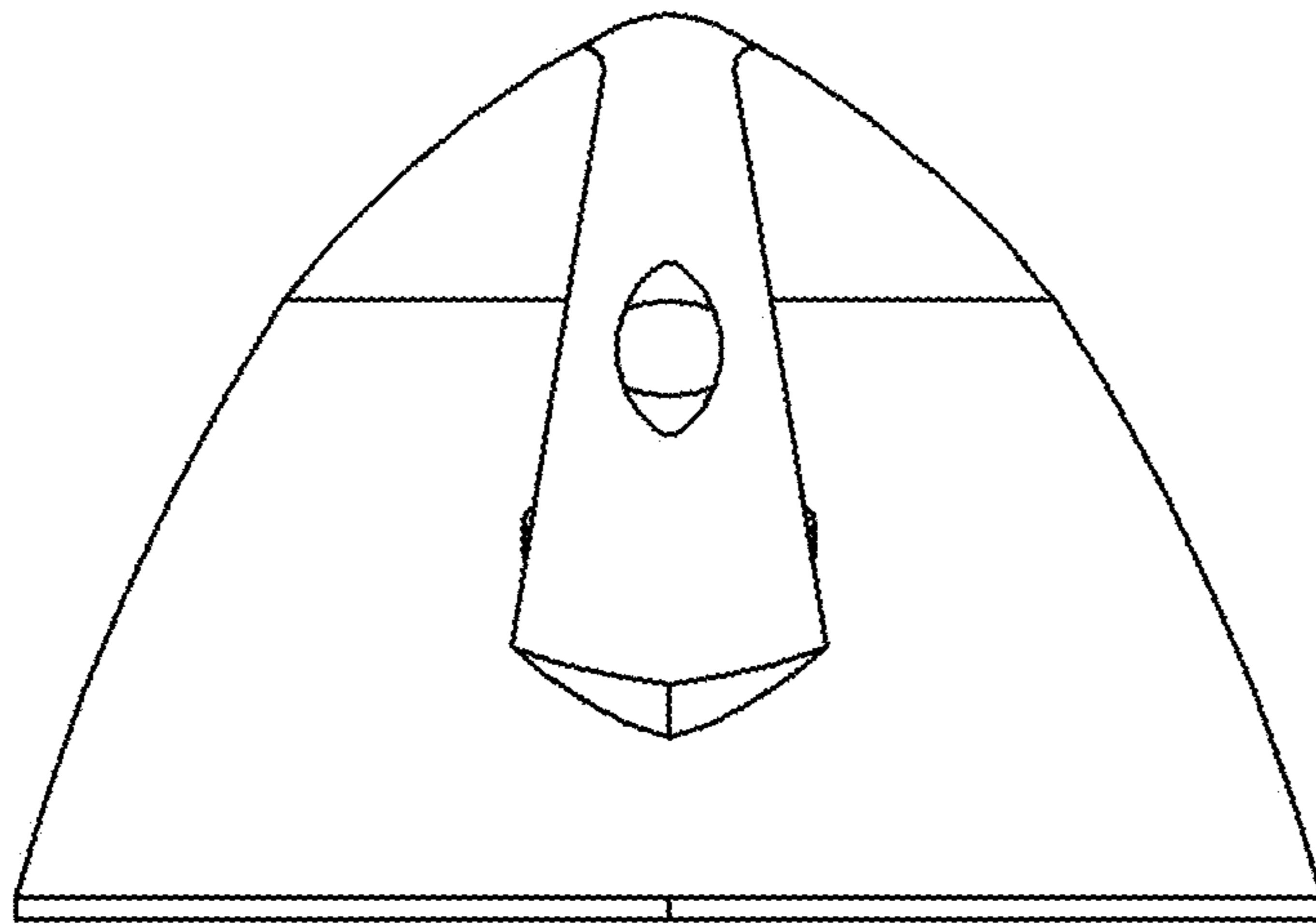


FIG. 3

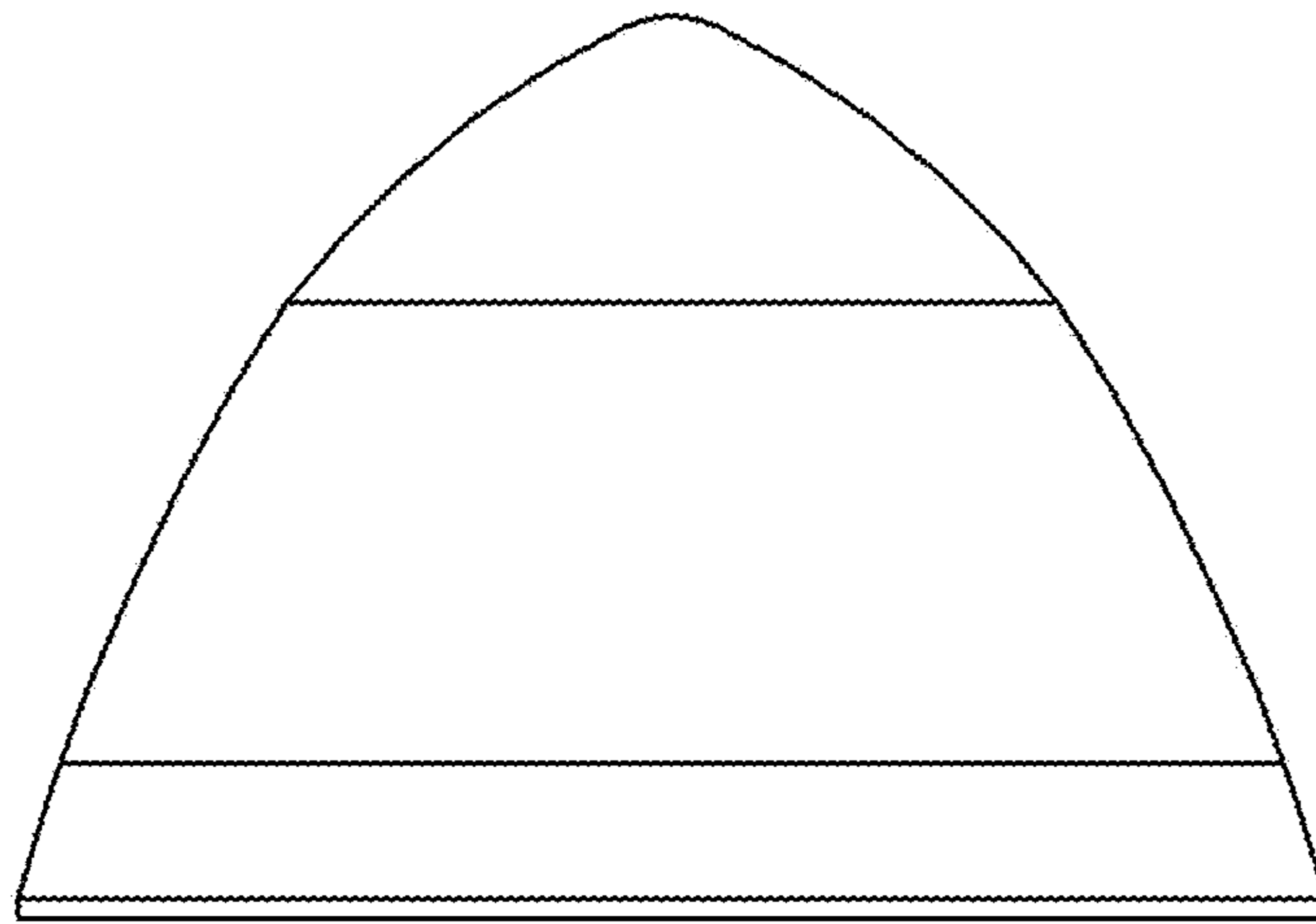


FIG. 4

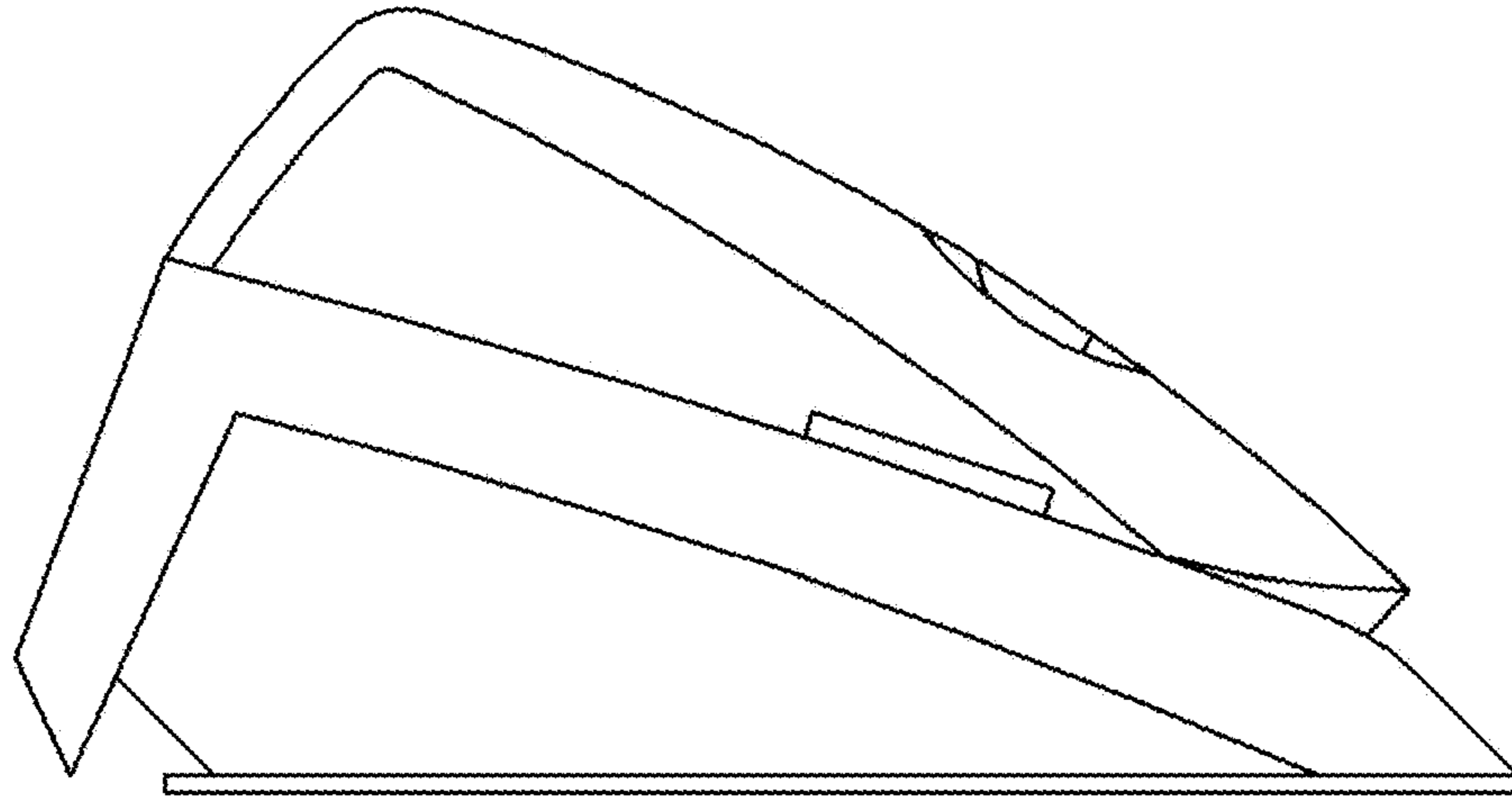


FIG. 5

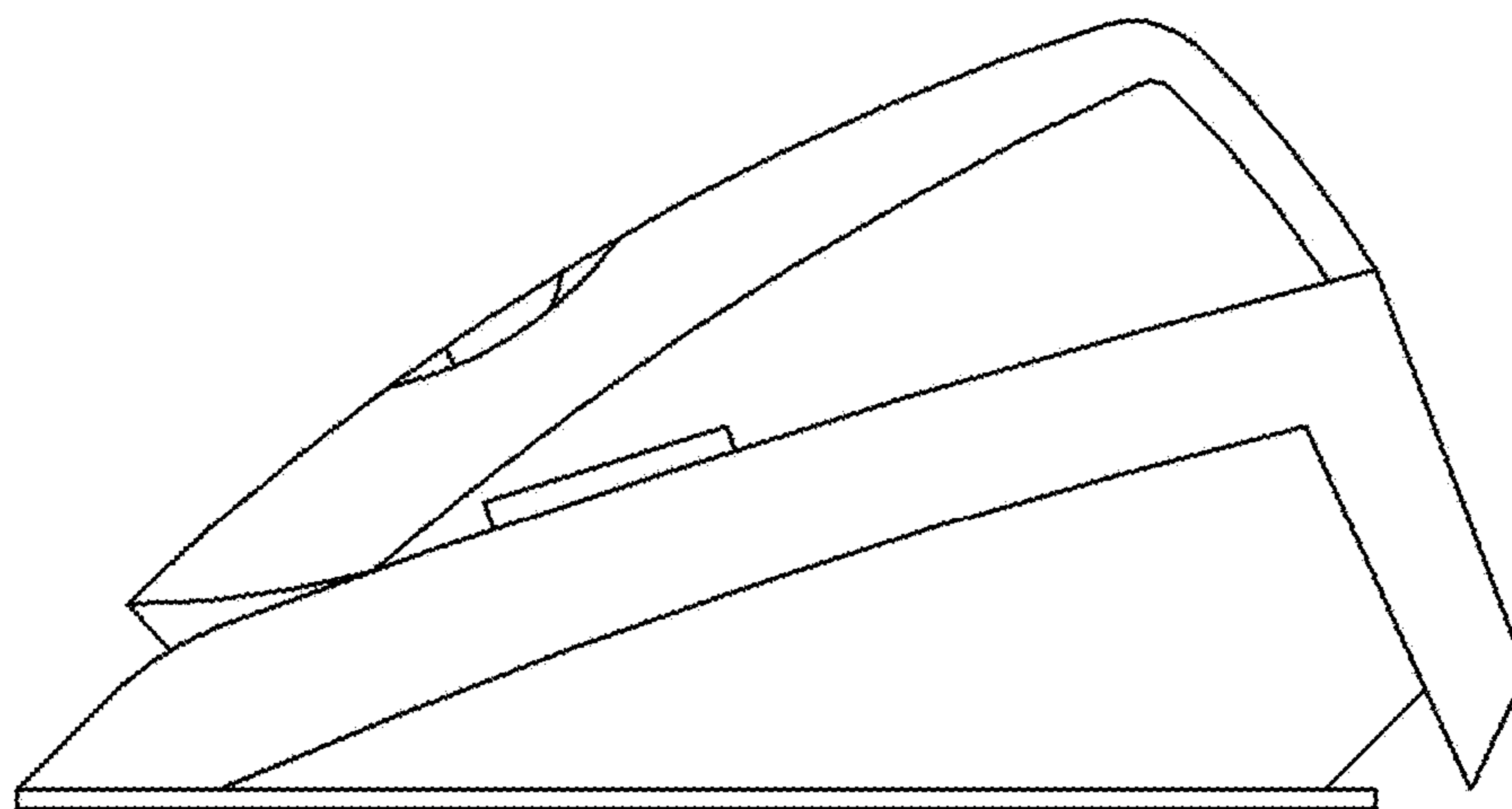


FIG. 6

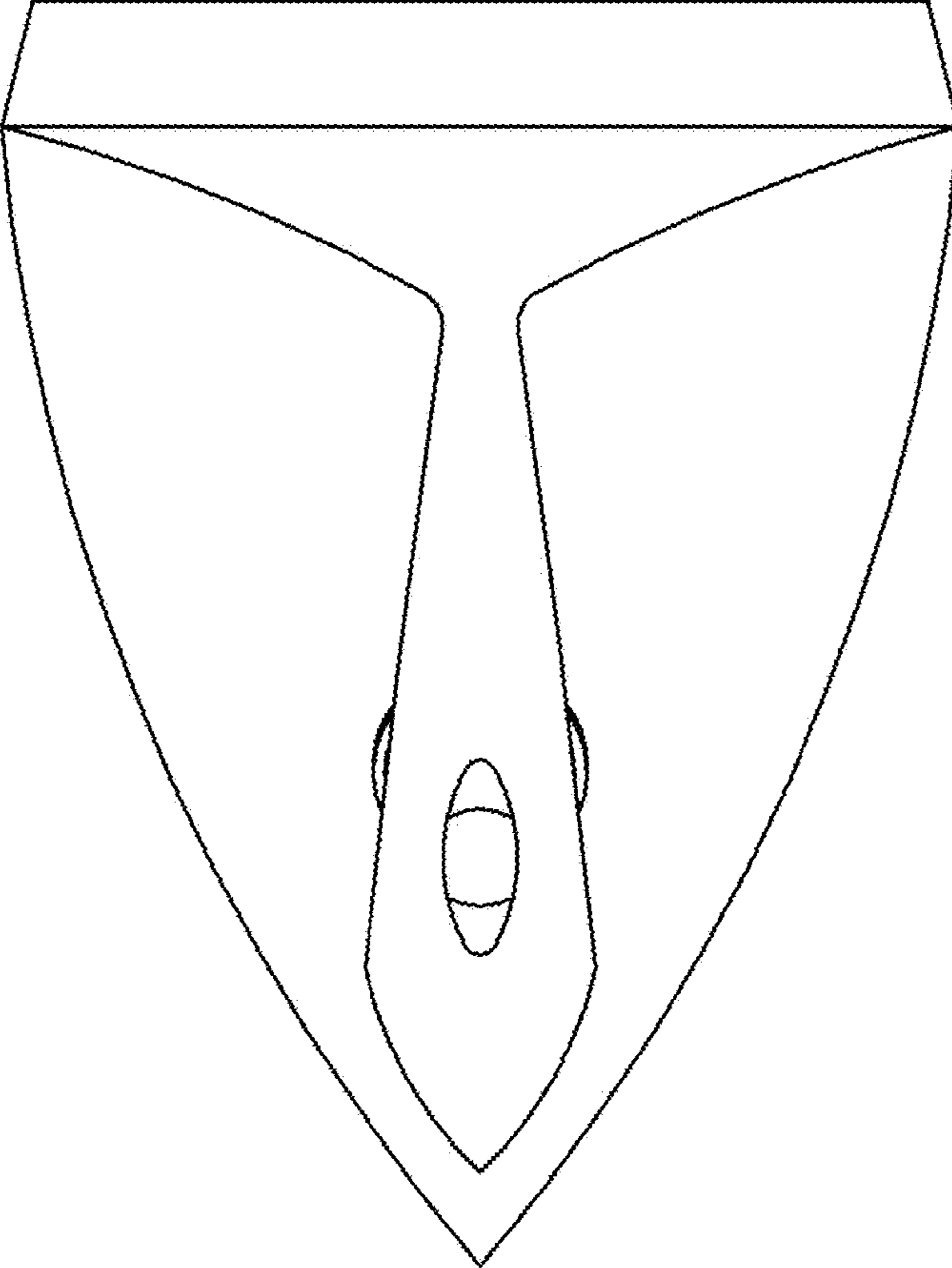


FIG. 7

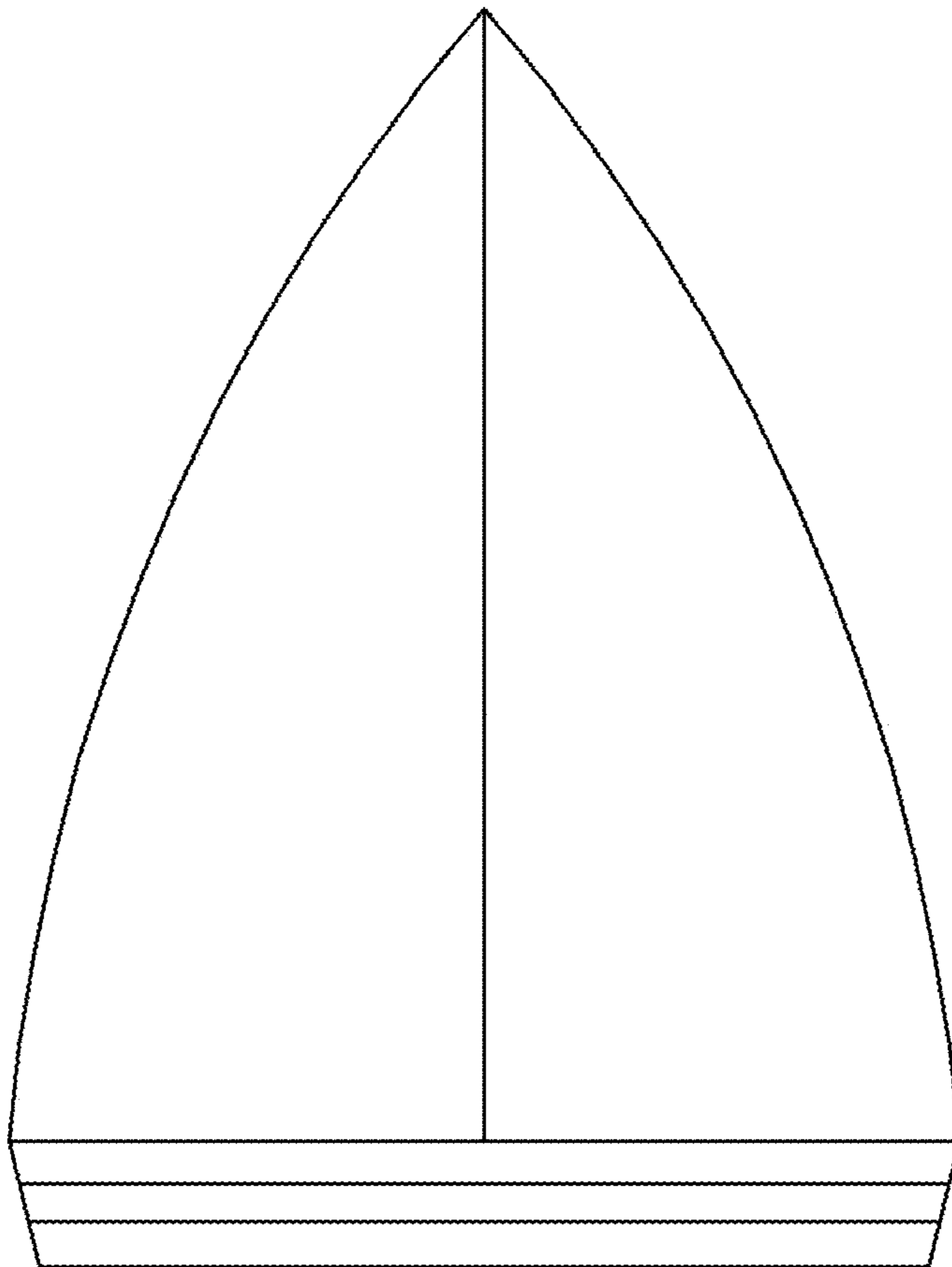




FIG. 8

