



US00D838416S

(12) **United States Design Patent**  
**Richardson**

(10) **Patent No.:** **US D838,416 S**  
(45) **Date of Patent:** **\*\* Jan. 15, 2019**

(54) **GROUND MOUNTED DOG TOY**  
(71) Applicant: **Leroy Richardson**, Dublin, CA (US)  
(72) Inventor: **Leroy Richardson**, Dublin, CA (US)  
(\*\*) Term: **15 Years**  
(21) Appl. No.: **29/553,559**  
(22) Filed: **Feb. 2, 2016**  
(51) **LOC (11) Cl.** ..... **30-99**  
(52) **U.S. Cl.**  
USPC ..... **D30/160**  
(58) **Field of Classification Search**  
USPC ..... D30/108, 109, 112, 113, 114, 117, 118,  
D30/119, 151, 154, 160, 199; D3/7, 10,  
D3/12, 17, 261; D21/760, 767, 771, 840;  
D8/388, 391; D13/138.2  
CPC . A01K 29/00; A01K 1/04; A01K 3/00; A01K  
1/00; A01K 31/22; A01K 31/17; A01K  
1/033; A01K 1/035; A01K 31/18; A01K  
1/0245; A01K 1/0353; A01K 1/03; A01K  
1/0254; A01K 31/08; E04H 15/40; E04H  
15/18; E04H 15/00; E04H 15/34; E04B  
1/32  
See application file for complete search history.

(56) **References Cited**  
U.S. PATENT DOCUMENTS  
1,699,308 A \* 1/1929 Postings ..... A01K 15/027  
119/704  
2,481,559 A \* 9/1949 Ashbaugh ..... A01K 1/04  
119/797  
2,607,320 A \* 8/1952 Ashbaugh ..... A01K 1/04  
119/781  
3,189,004 A \* 6/1965 Sinclair ..... A01K 1/04  
119/789  
D244,870 S \* 6/1977 Astley ..... D30/154  
D353,477 S \* 12/1994 Terry ..... D30/154  
5,526,774 A \* 6/1996 Swindall, Jr. .... A01K 1/04  
119/787

5,575,241 A \* 11/1996 Line ..... A01K 15/025  
119/708  
6,820,573 B1 \* 11/2004 McMullin ..... A01K 1/04  
119/786  
D573,315 S \* 7/2008 Kelley ..... D30/154  
7,984,698 B1 \* 7/2011 Collins ..... A01K 1/04  
119/780  
2011/0277697 A1 \* 11/2011 Lipscomb ..... A01K 15/025  
119/708

(Continued)

*Primary Examiner* — Caron D Veynar  
*Assistant Examiner* — Katrina N Gonzalez  
(74) *Attorney, Agent, or Firm* — Temmerman Law Office;  
Mathew J. Temmerman

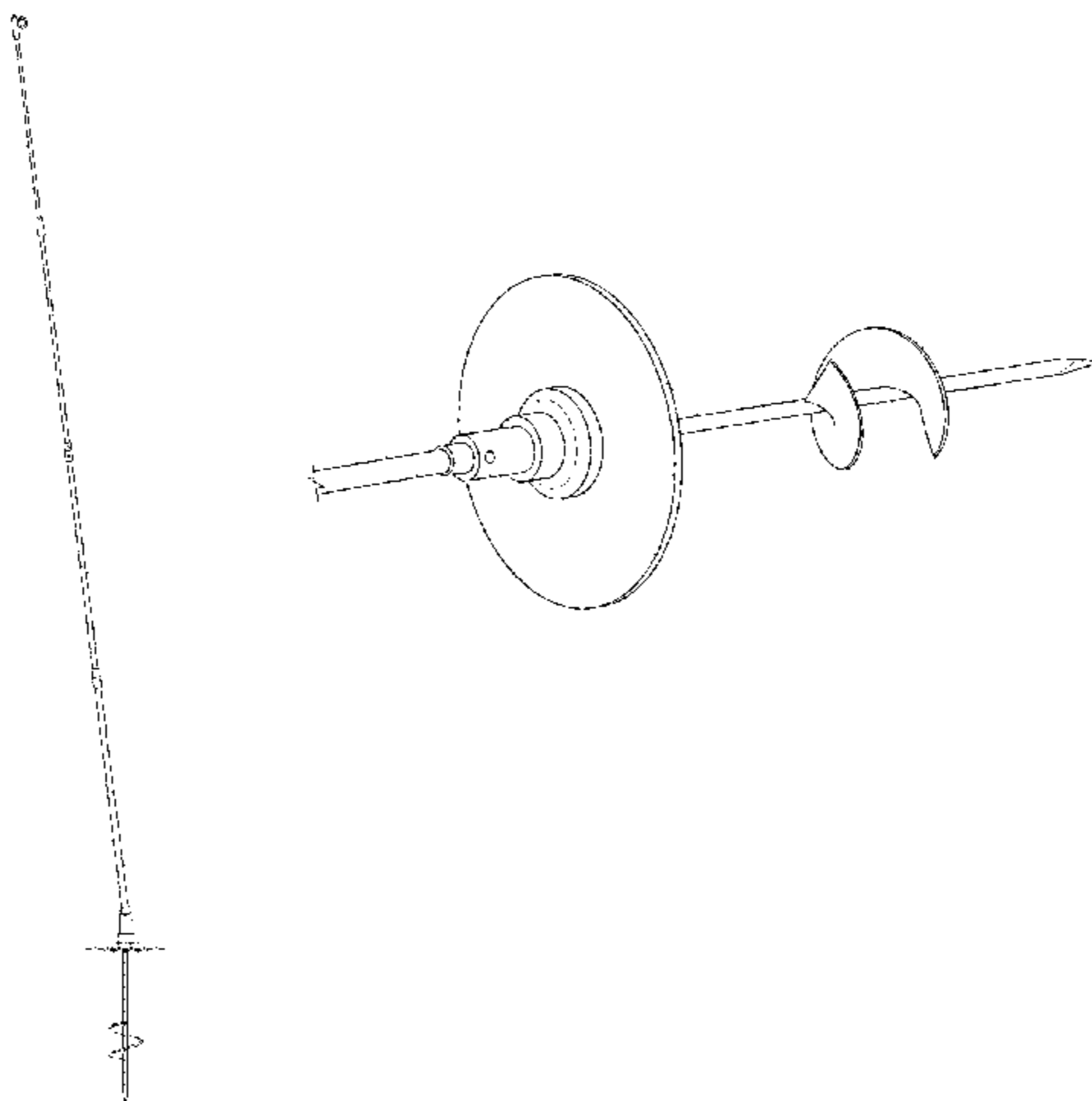
(57) **CLAIM**

I Claim the ornamental design for a ground mounted dog toy, as shown and described.

**DESCRIPTION**

FIG. 1 is a front side view of a ground mounted dog toy, showing my new design;  
FIG. 2 is a back side view thereof;  
FIG. 3 is a left side view thereof;  
FIG. 4 is a right side view thereof;  
FIG. 5 is an enlarged bottom view thereof;  
FIG. 6 is an enlarged top plan view thereof;  
FIG. 7 is a perspective view thereof;  
FIG. 8 is an enlarged partial perspective view of a first end of the dog toy;  
FIG. 9 is another enlarged partial perspective view of a second end of the dog toy;  
FIG. 10 is an enlarged partial perspective view of a second end of the dog toy; and,  
FIG. 11 is an enlarged partial perspective view of the second end of the dog toy.  
The first end is shown detached in FIGS. 8 and 9, and the second end is shown detached in FIGS. 10 and 11 for ease and clarity of illustration.

**1 Claim, 5 Drawing Sheets**



(56)

**References Cited**

U.S. PATENT DOCUMENTS

2013/0192536 A1\* 8/2013 Lohmann ..... A01K 15/025  
119/707  
2015/0250148 A1\* 9/2015 Rubin ..... A01K 39/0113  
119/712  
2015/0257364 A1\* 9/2015 Renforth ..... A01K 15/025  
119/708  
2015/0257365 A1\* 9/2015 Renforth ..... A01K 15/025  
119/708

\* cited by examiner

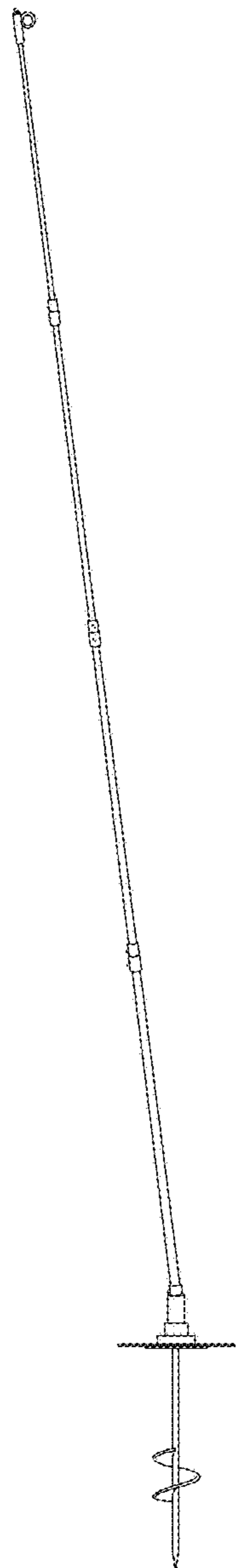


FIG. 1

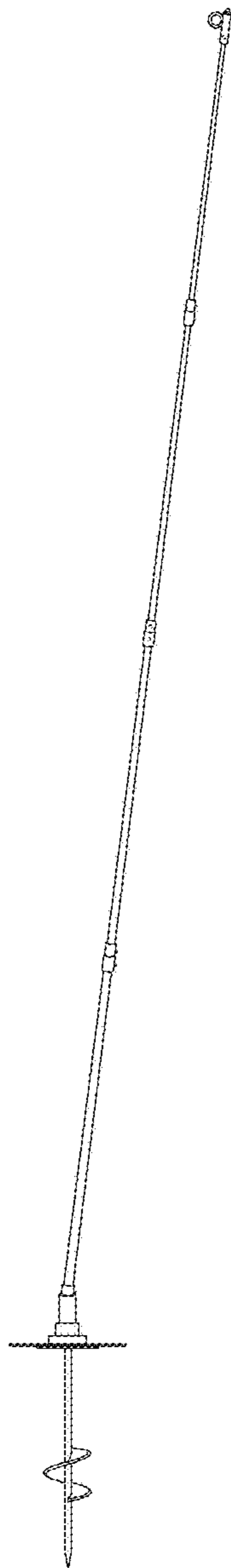


FIG. 2

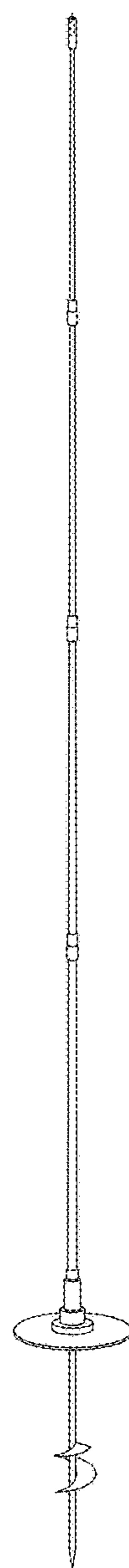


FIG. 3

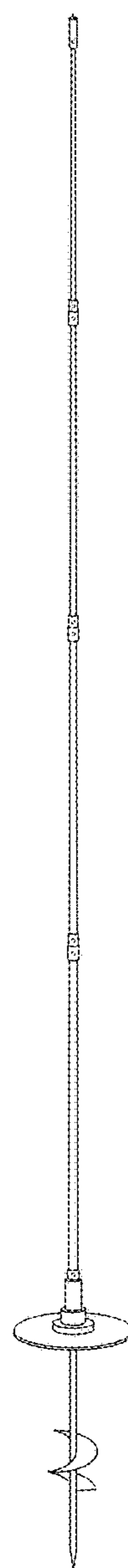


FIG. 4

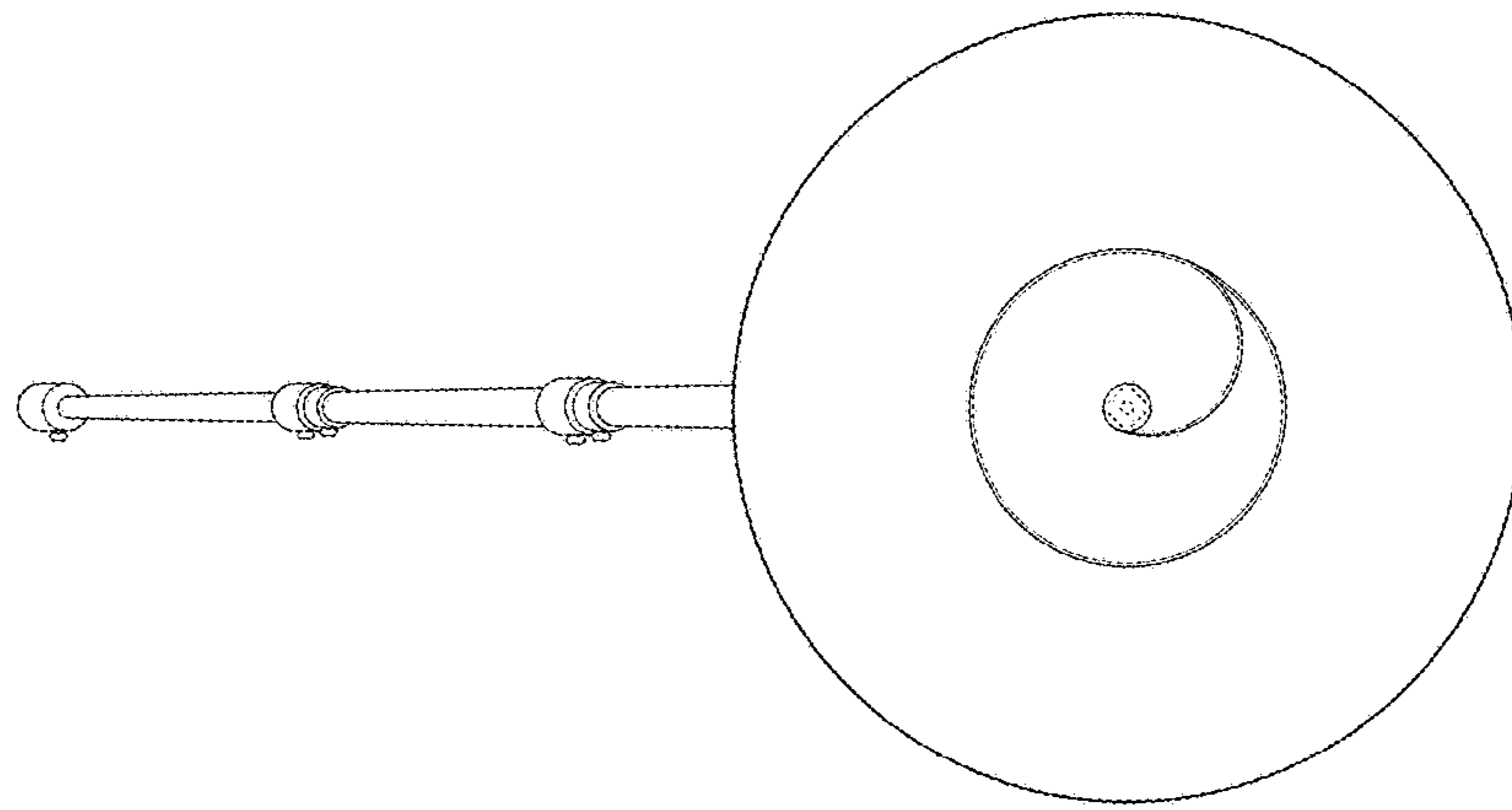


FIG. 5

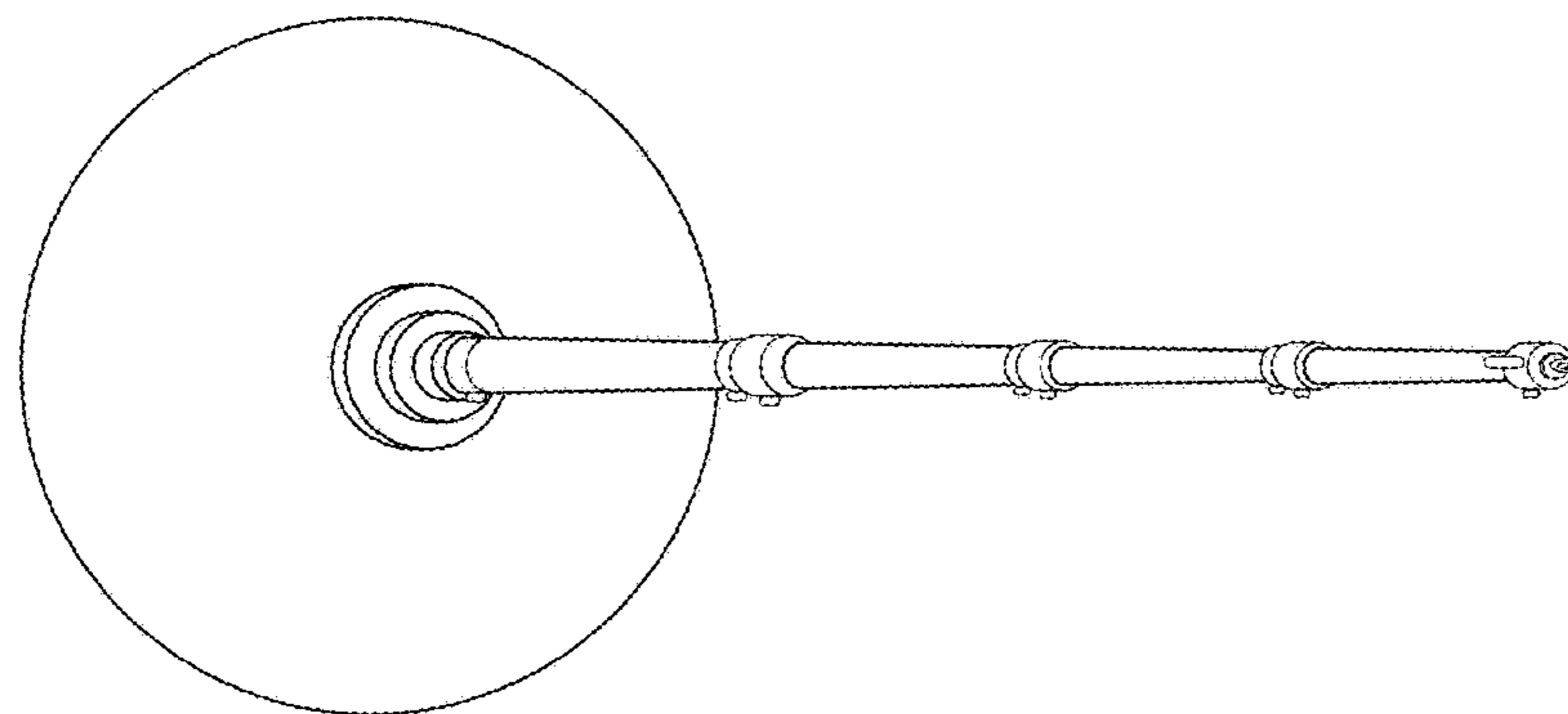


FIG. 6



FIG. 7

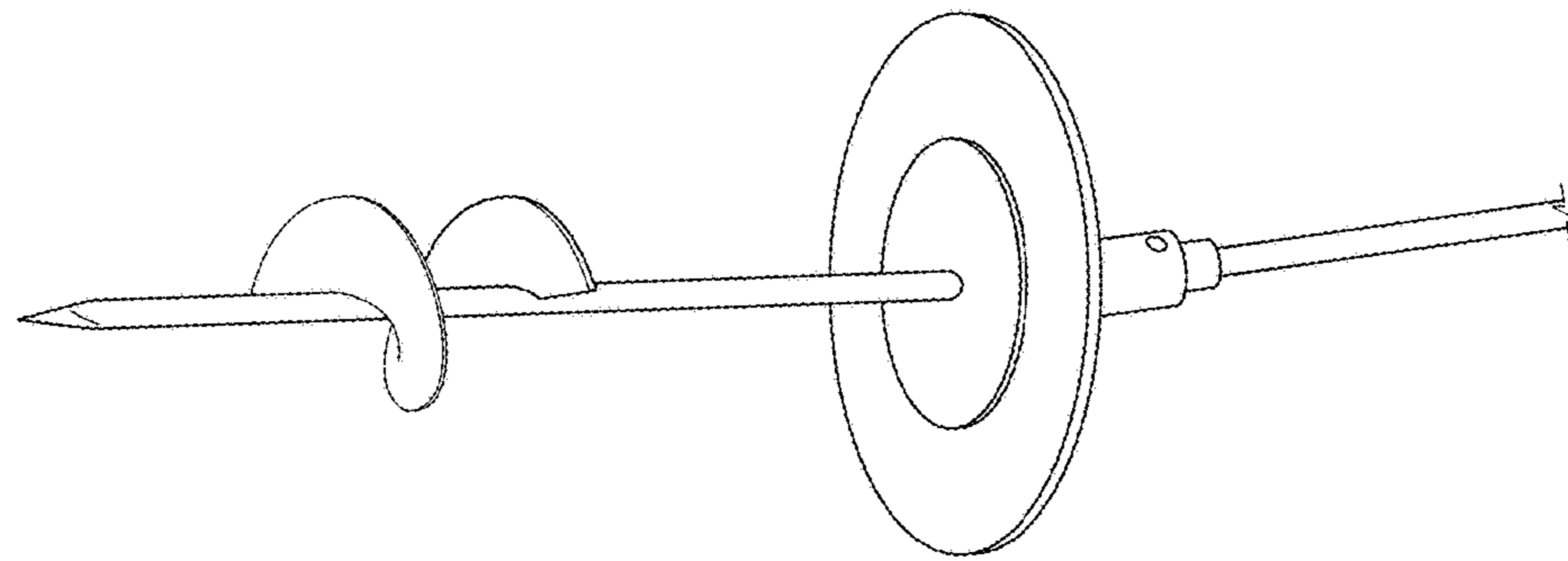


FIG. 8

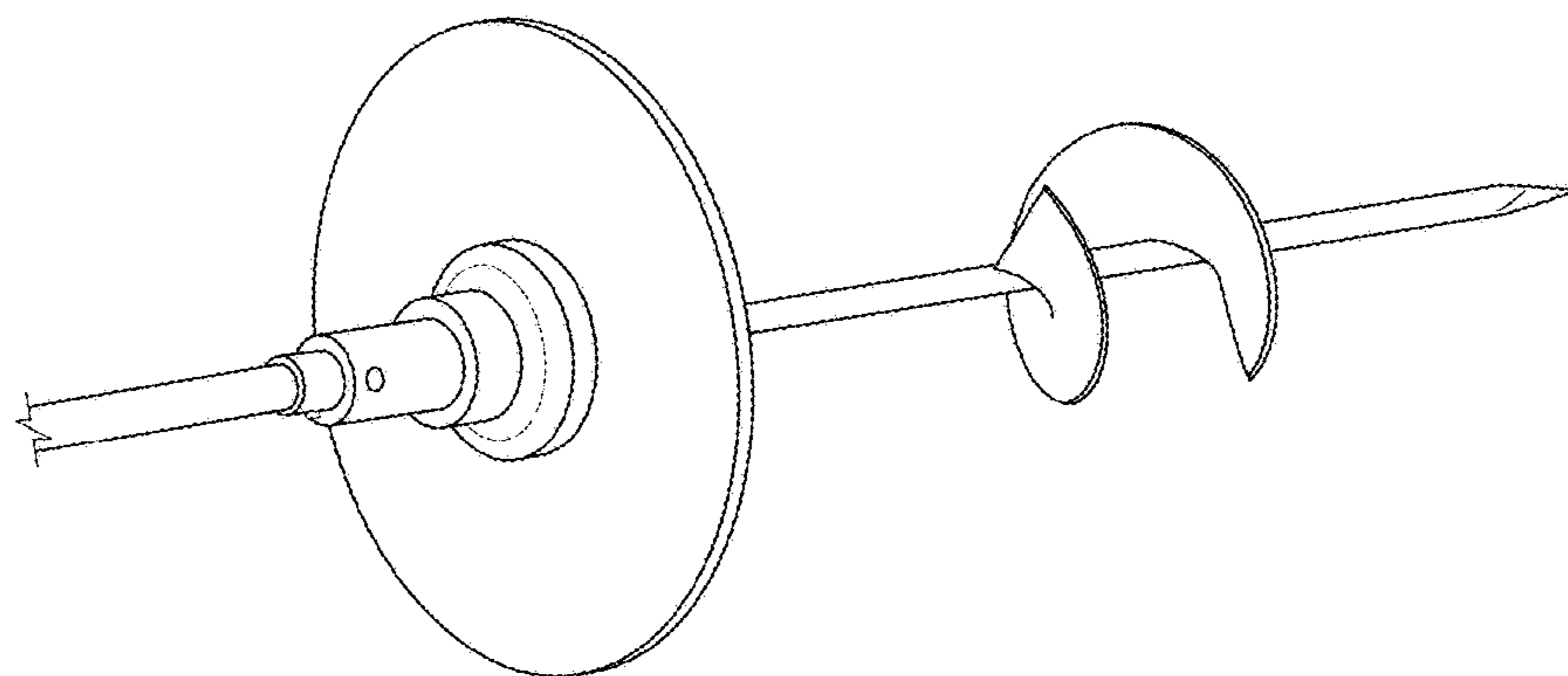


FIG. 9

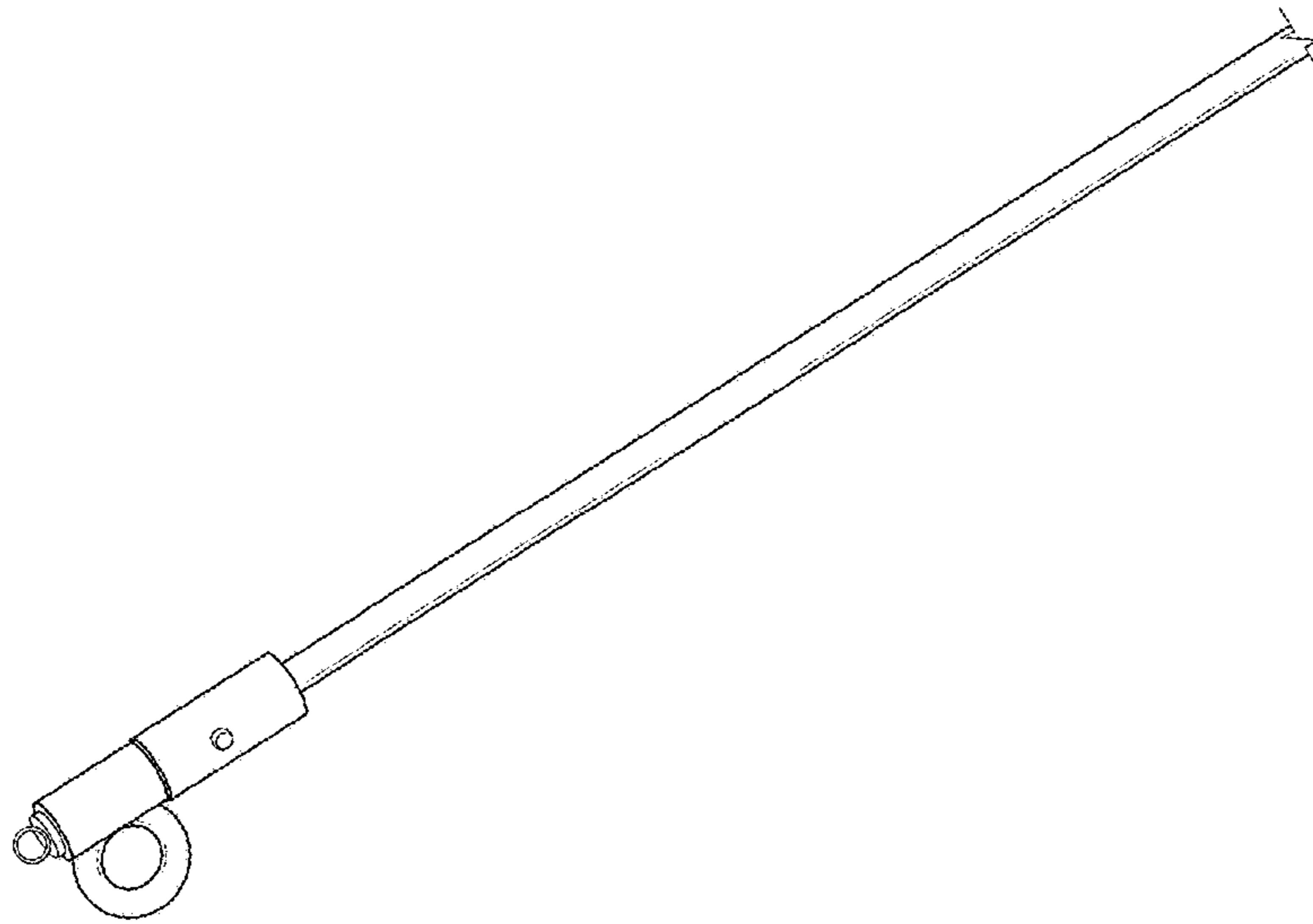


FIG. 10

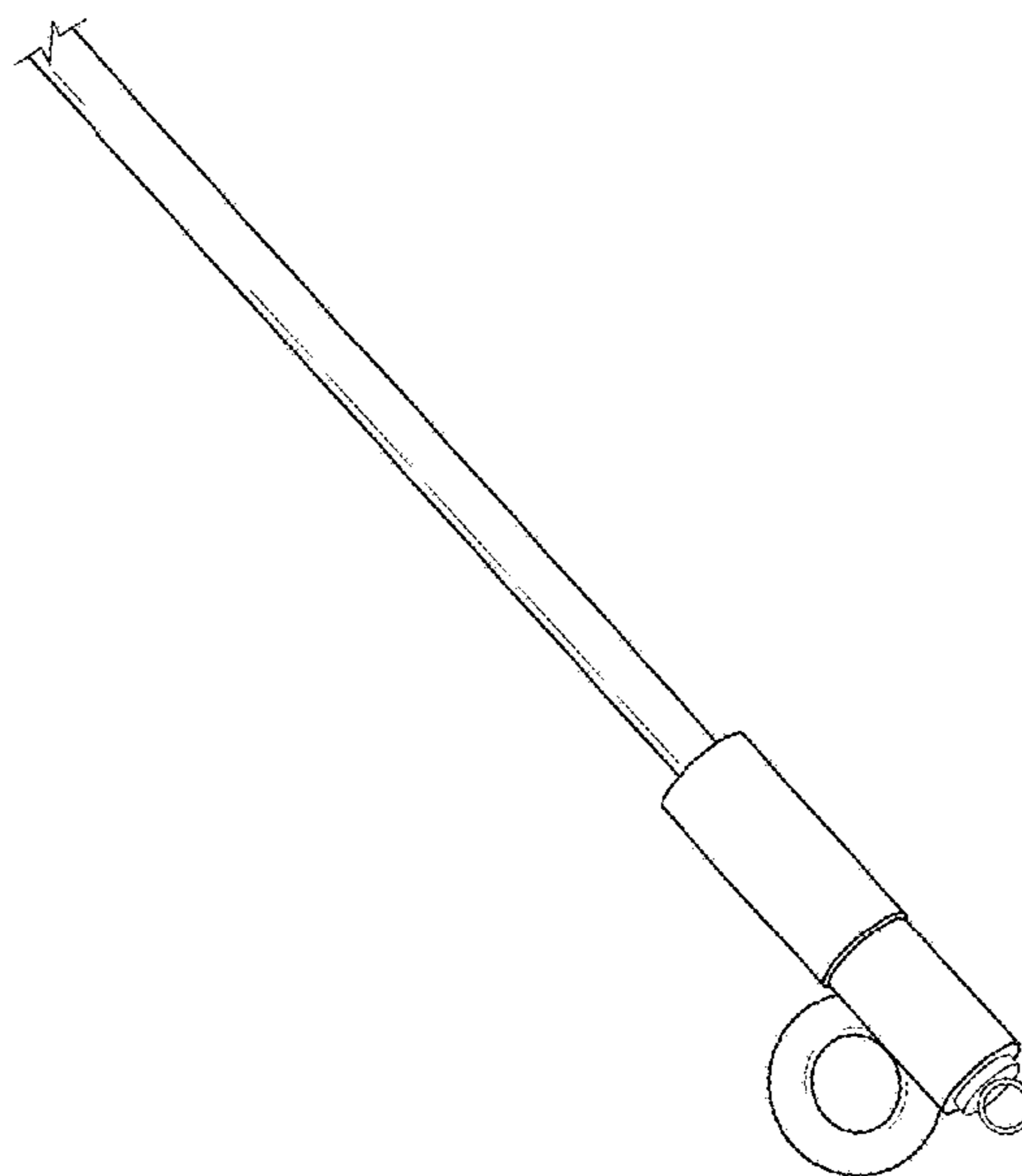


FIG. 11