



US00D838412S

(12) **United States Design Patent**
Wang

(10) **Patent No.:** **US D838,412 S**
(45) **Date of Patent:** **** Jan. 15, 2019**

- (54) **TODDLER SAFETY HARNESS**
- (71) Applicant: **Shenghui Wang**, Kaifeng (CN)
- (72) Inventor: **Shenghui Wang**, Kaifeng (CN)
- (73) Assignee: **Shenzhen Yimida Technology Co., Ltd.**, Shenzhen (CN)
- (**) Term: **15 Years**
- (21) Appl. No.: **29/629,908**
- (22) Filed: **Dec. 18, 2017**
- (51) **LOC (11) Cl.** **29-02**
- (52) **U.S. Cl.**
USPC **D29/101.1; D29/122**
- (58) **Field of Classification Search**
USPC D29/100, 101.1, 101.2, 101.3, 101.4,
D29/101.5, 122; 2/1; D2/626, 628, 629,
D2/829; D3/215, 218, 219, 221, 226;
359/519
CPC A41D 1/00
See application file for complete search history.

5,492,256 A * 2/1996 Ive A47D 13/025
220/528
9,179,758 B2 * 11/2015 Calilung A47D 13/025
* cited by examiner
Primary Examiner — Randall H Gholson

(57) **CLAIM**

The ornamental design for a toddler safety harness, as shown and described.

DESCRIPTION

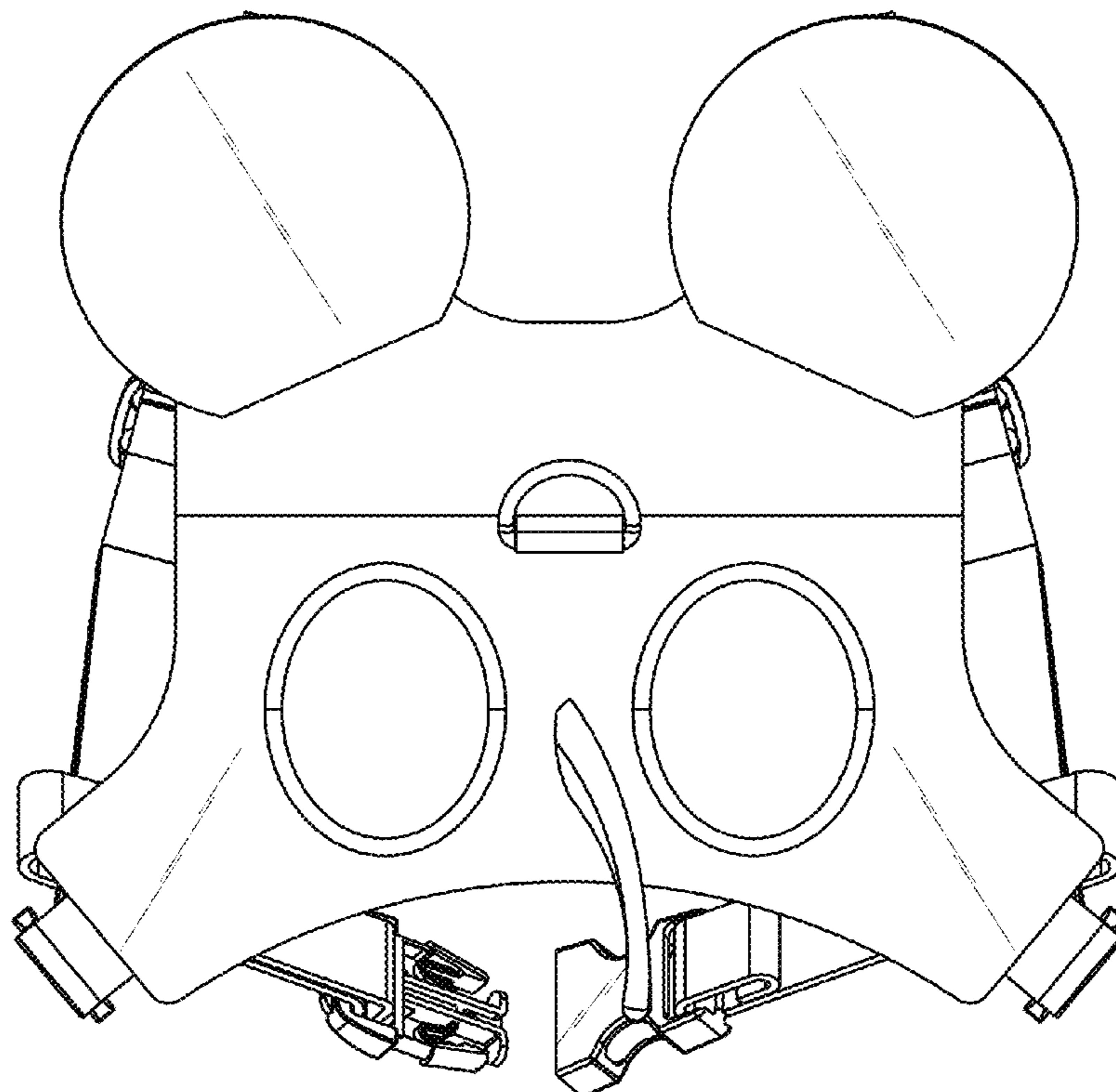
FIG. 1 is a front elevational view of a toddler safety harness showing my new design;
 FIG. 2 is a rear elevational view thereof;
 FIG. 3 is a left side elevational view thereof;
 FIG. 4 is a right side elevational view thereof;
 FIG. 5 is a top plan view thereof;
 FIG. 6 is a bottom plan view thereof;
 FIG. 7 is a front perspective view thereof;
 FIG. 8 is a rear perspective view thereof; and,
 FIG. 9 is another rear perspective view thereof.
 The broken lines depict environment that forms no part of the claimed design.

(56) **References Cited**

U.S. PATENT DOCUMENTS

D343,257 S * 1/1994 DiFloria D29/101.1

1 Claim, 9 Drawing Sheets



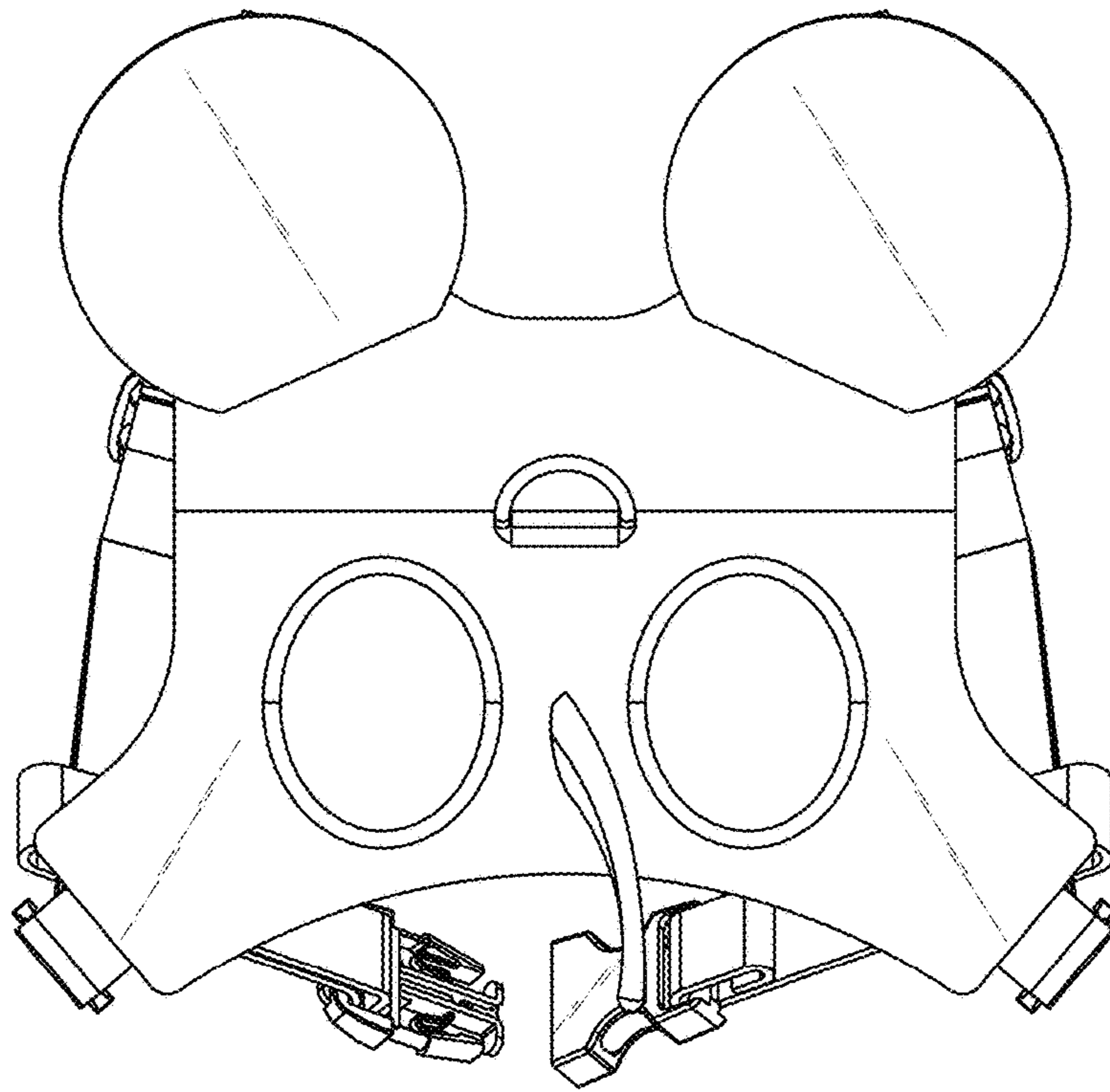


FIG.1

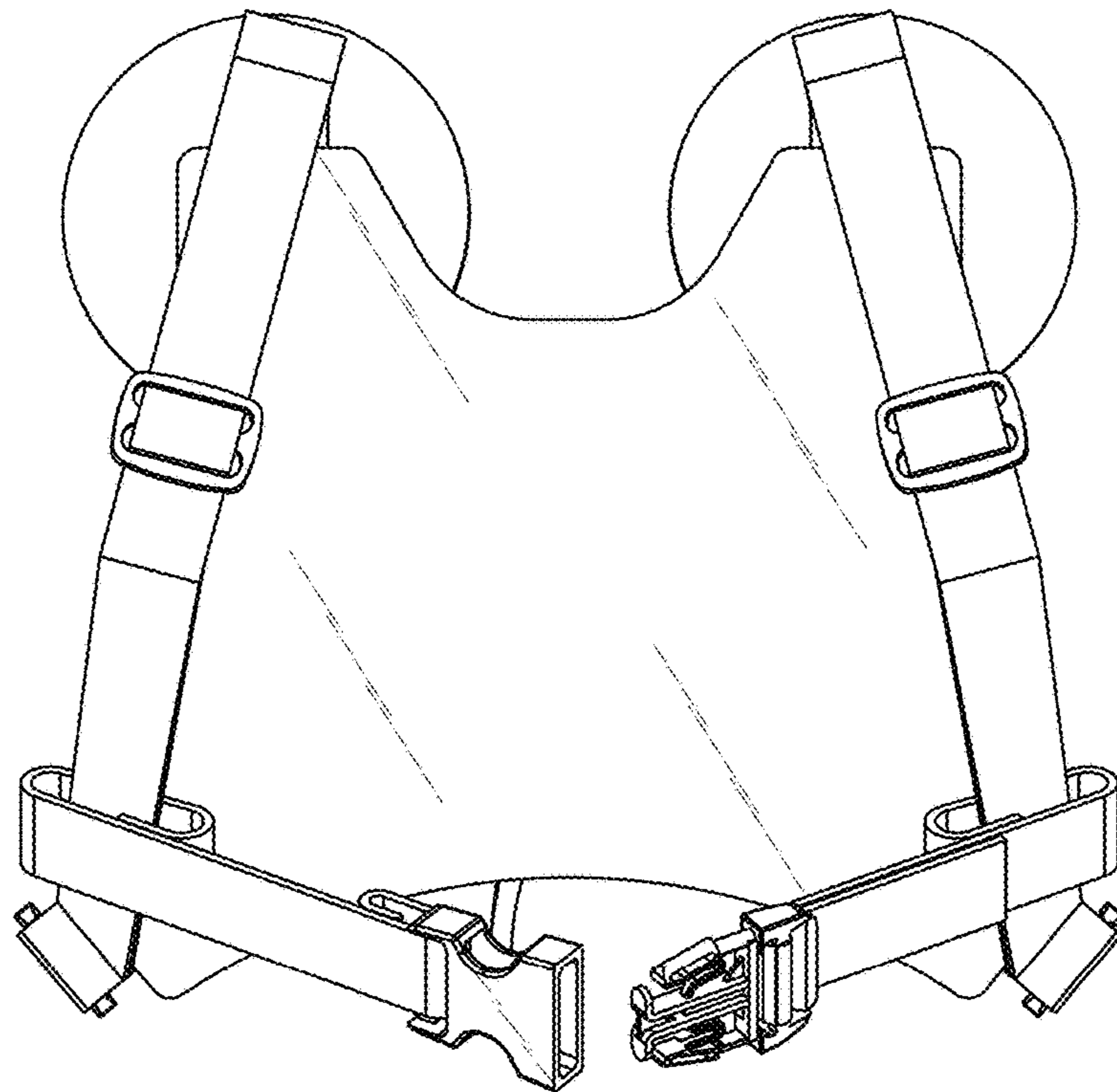


FIG.2

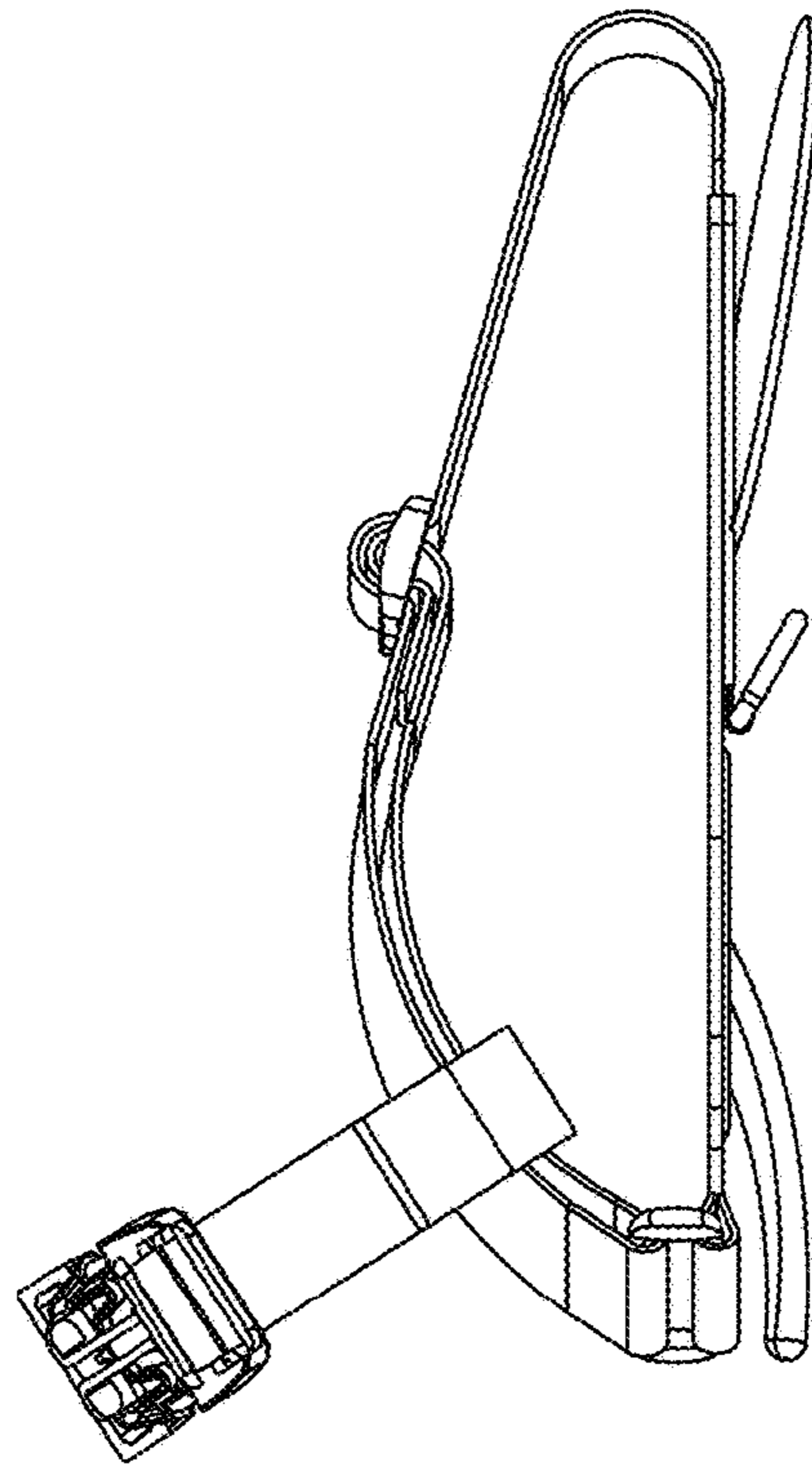


FIG.3

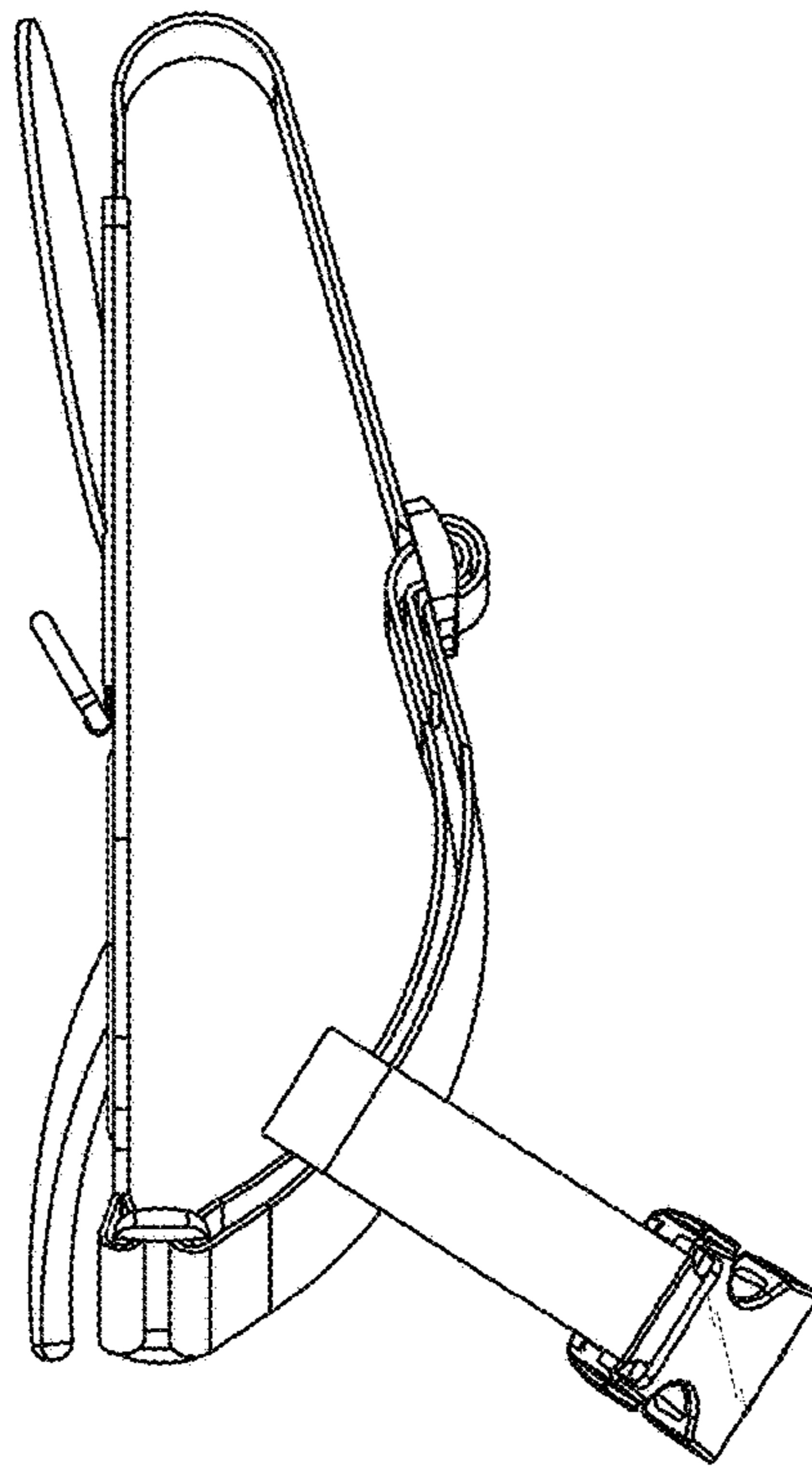


FIG.4

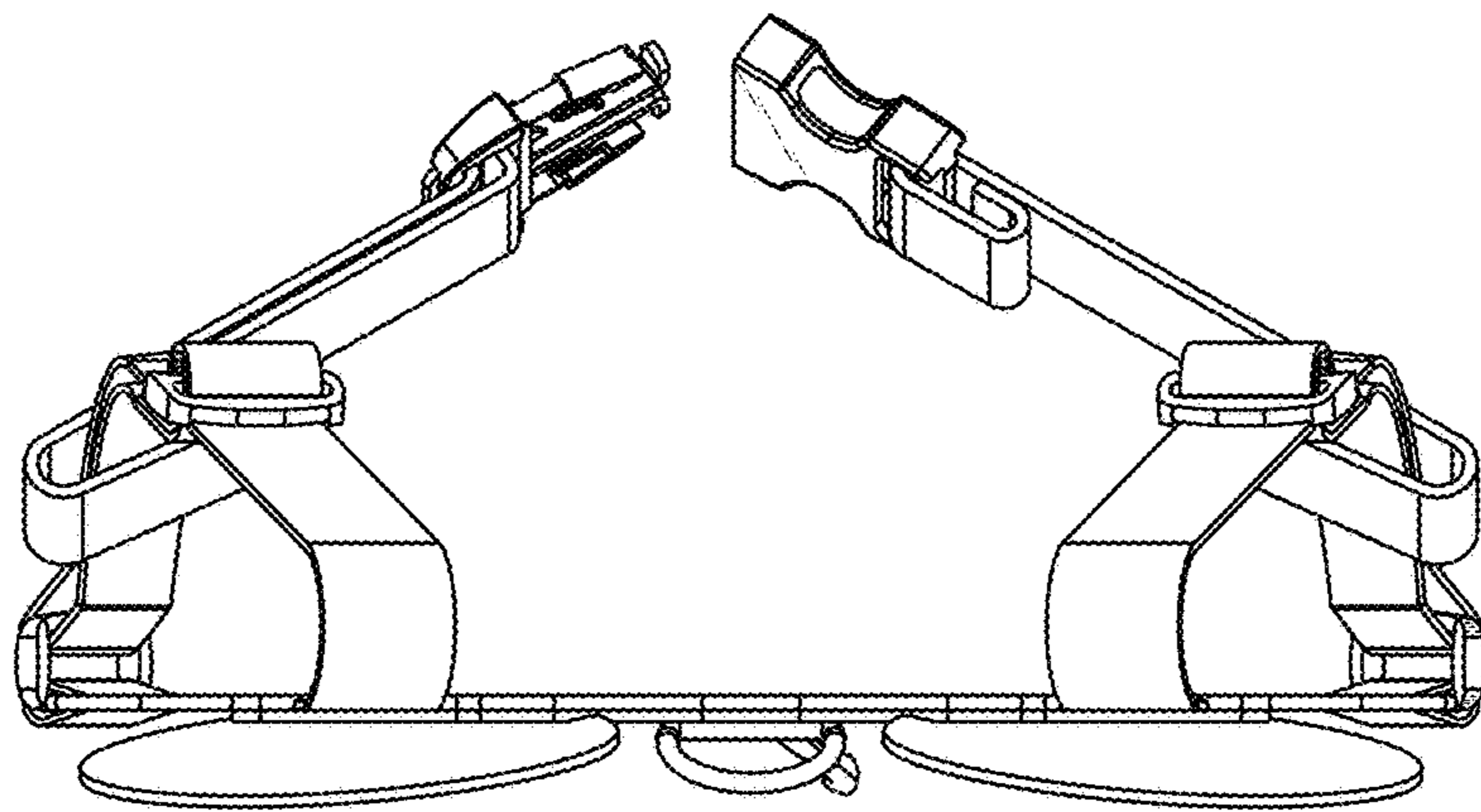


FIG.5

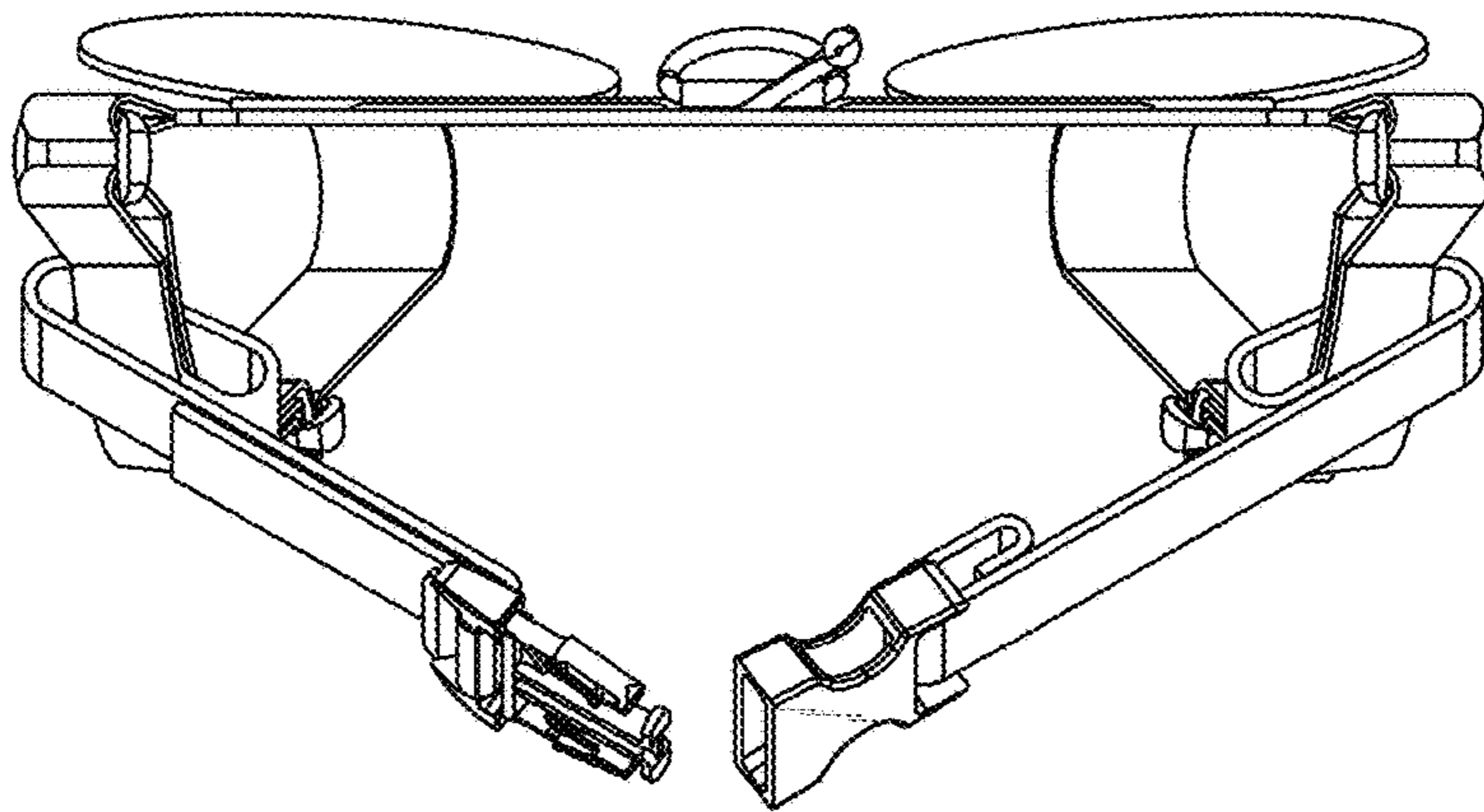


FIG.6

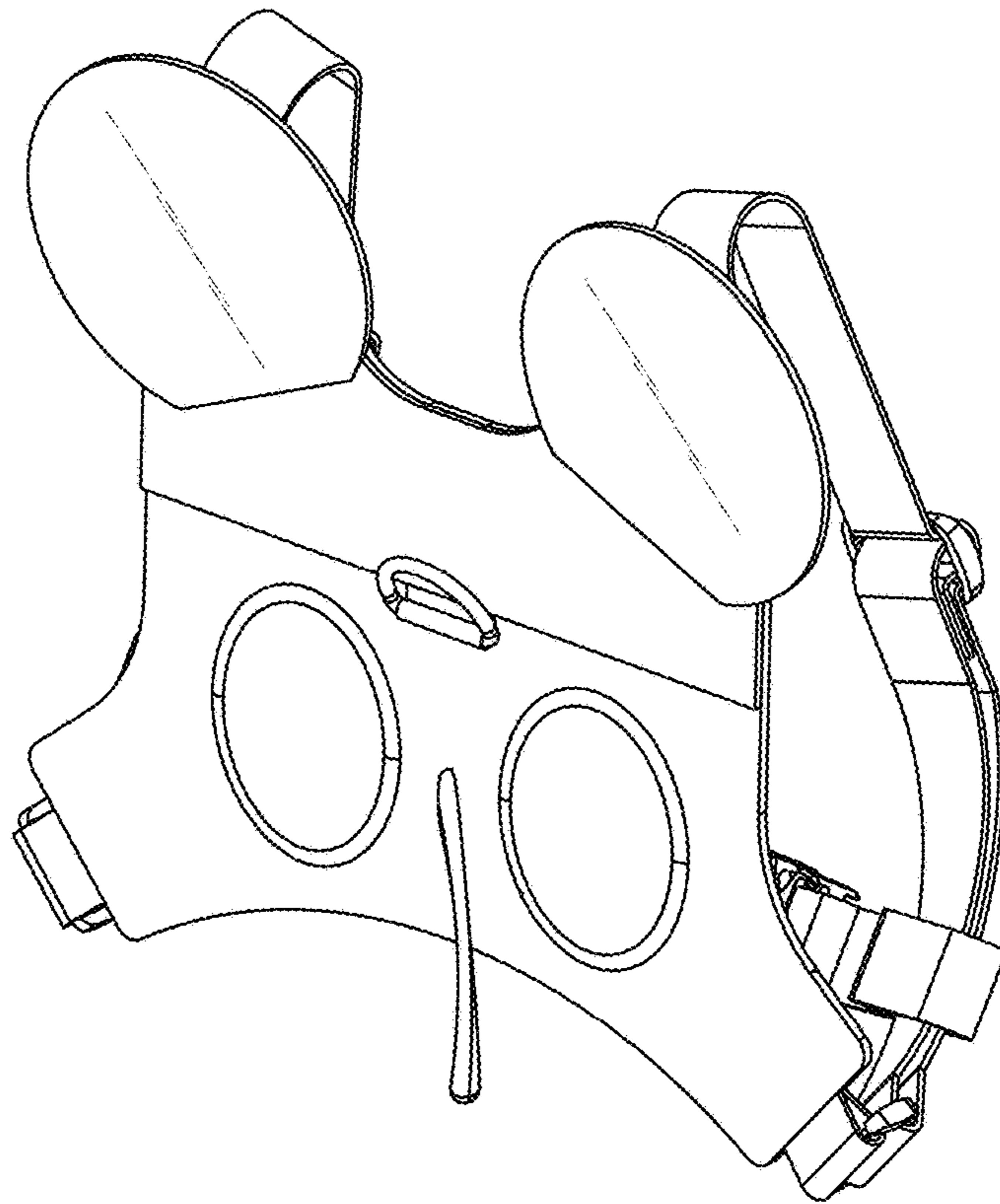


FIG.7

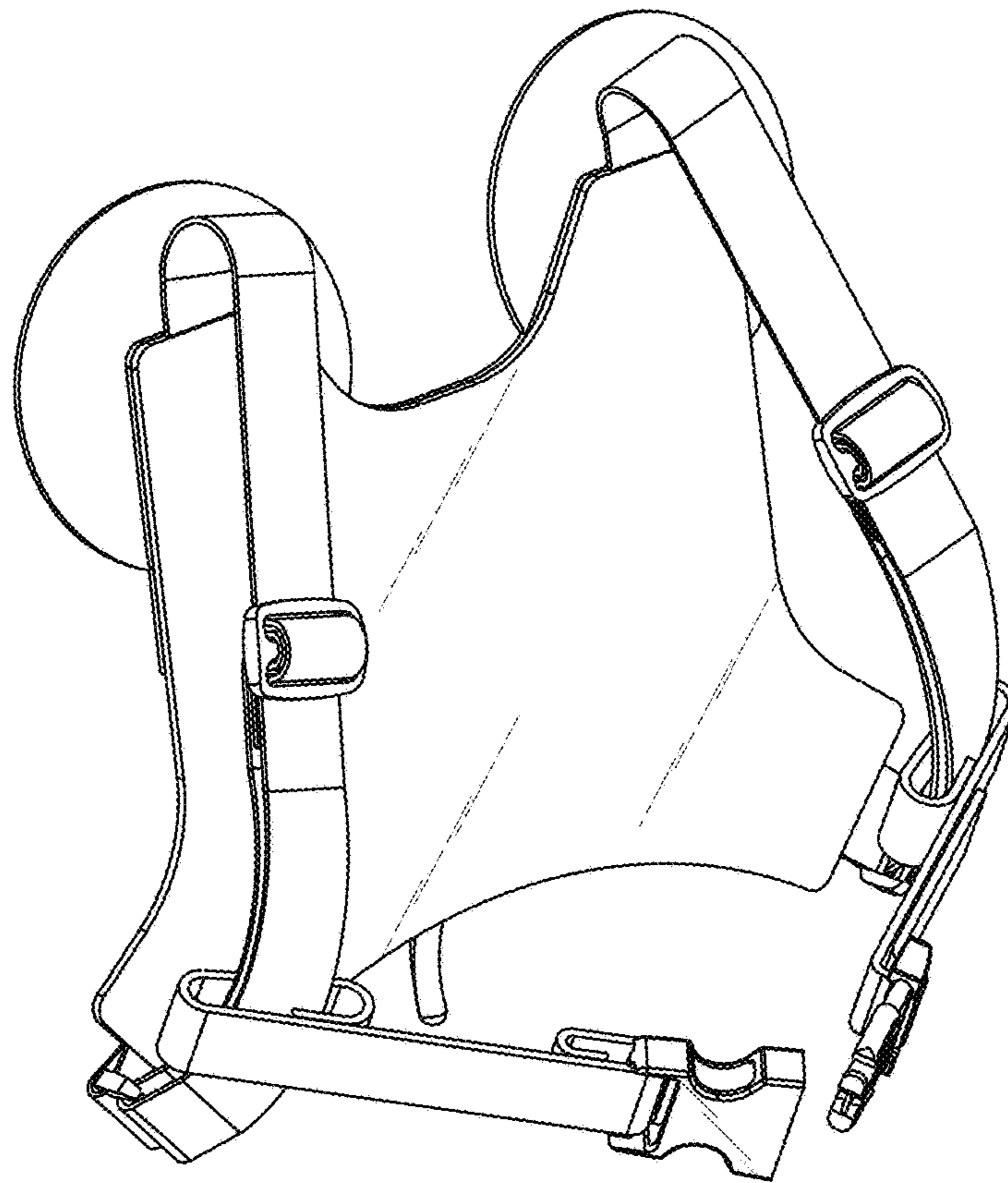


FIG.8

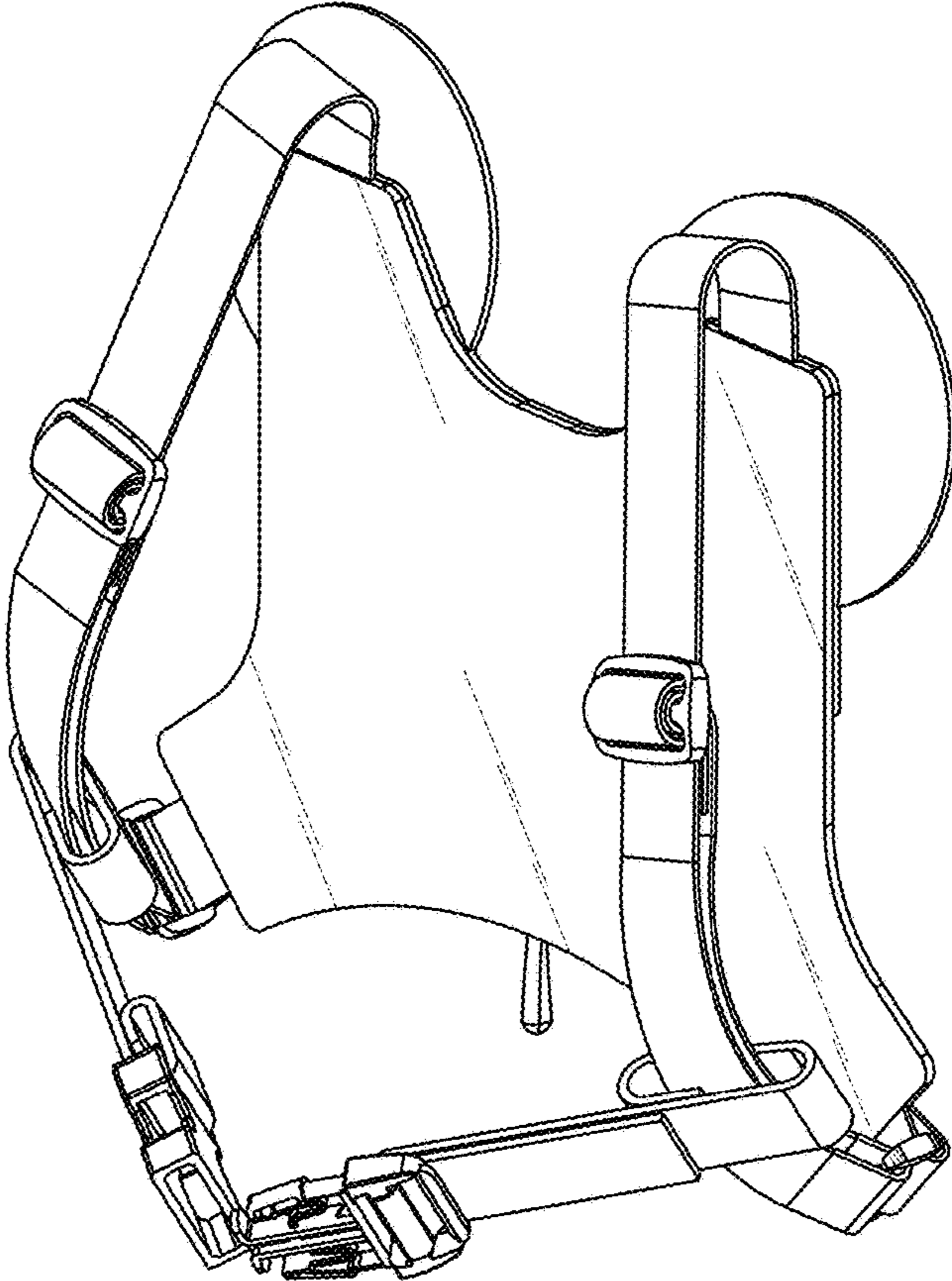


FIG.9