



US00D838411S

(12) **United States Design Patent** (10) **Patent No.:** **US D838,411 S**
Floyd (45) **Date of Patent:** **** Jan. 15, 2019**

(54) **SERVICE STATION FOR A COSMETIC DEVICE**

D646,396 S 10/2011 Seki et al.
8,184,901 B2 5/2012 Edgar
8,231,292 B2 7/2012 Rabe
D674,485 S 1/2013 Flyash et al.
D676,959 S 2/2013 Flyash et al.
(Continued)

(71) Applicant: **The Procter & Gamble Company,**
Cincinnati, OH (US)

(72) Inventor: **Brian Lee Floyd,** Cincinnati, OH (US)

FOREIGN PATENT DOCUMENTS

(73) Assignee: **The Procter & Gamble Company,**
Cincinnati, OH (US)

FR 2933585 1/2010
JP 2006297691 11/2006
WO WO 2010004531 1/2010

(**) Term: **15 Years**

OTHER PUBLICATIONS

(21) Appl. No.: **29/580,985**

U.S. Appl. No. 29/580,980, filed Oct. 14, 2016, Brian Lee Floyd.

(22) Filed: **Oct. 14, 2016**

Primary Examiner — Jennifer Rivard

(51) **LOC (11) Cl.** **28-03**

(74) *Attorney, Agent, or Firm* — Melissa G. Krasovec;
Amanda Herman; Steven Robert Chuey

(52) **U.S. Cl.**

USPC **D28/73; D28/7; D28/9**

(58) **Field of Classification Search**

USPC D18/50, 14, 36, 37; D28/7, 9, 73
CPC B41J 3/407; A45D 2200/05; A45D 44/005;
A45D 2044/007

(57) **CLAIM**

The ornamental design for a service station for a cosmetic device, as shown and described.

See application file for complete search history.

DESCRIPTION

(56) **References Cited**

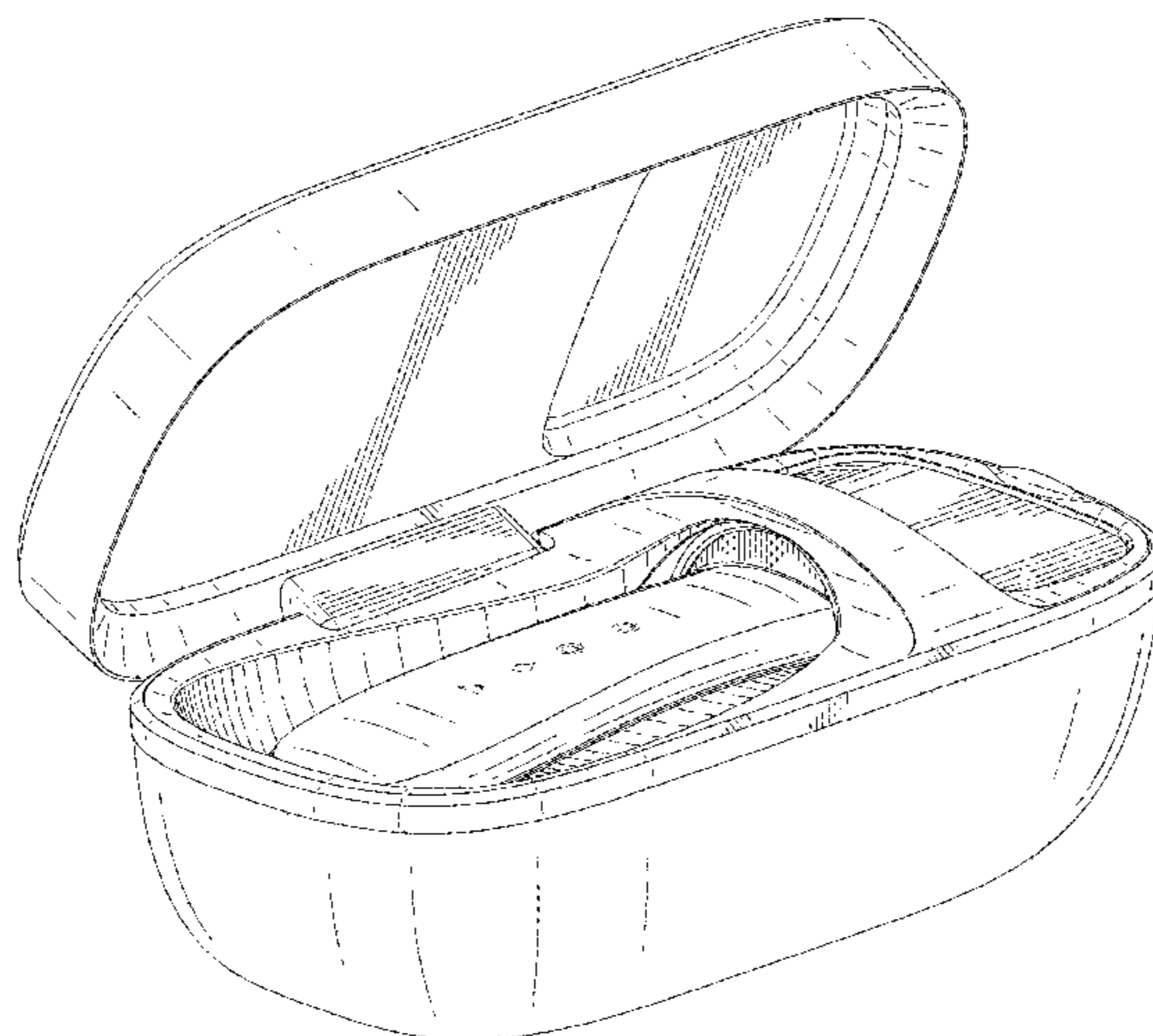
U.S. PATENT DOCUMENTS

6,312,124 B1 11/2001 Esormeaux
D490,845 S * 6/2004 Fukushima D18/50
D562,451 S 2/2008 Braynin et al.
D595,407 S 6/2009 Braynin et al.
D604,843 S 11/2009 Braynin et al.
D608,888 S 1/2010 Braynin et al.
7,648,364 B2 1/2010 Dauga
D621,950 S 8/2010 Seki et al.
7,890,152 B2 2/2011 Edgar
7,973,816 B2 * 7/2011 Kim B41J 29/023
347/104
8,007,062 B2 8/2011 Edgar
8,027,505 B2 * 9/2011 Edgar A45D 44/005
347/1

FIG. 1 is a perspective view of a design, embodying our new design;
FIG. 2 is a front view of the open service station of FIG. 1;
FIG. 3 is a rear view of the open service station of FIG. 1;
FIG. 4 is a first end view of the open service station of FIG. 1;
FIG. 5 is a second end view of the open service station of FIG. 1;
FIG. 6 is a top view of the open service station of FIG. 1;
and,
FIG. 7 is a bottom view of the open service station of FIG. 1.

The broken lines shown in the drawings illustrate portions of the service station for a cosmetic device and form no part of the claimed design.

1 Claim, 7 Drawing Sheets



(56)

References Cited

U.S. PATENT DOCUMENTS

8,695,610	B2 *	4/2014	Samain	A45D 44/005	2011/0040235	A1 *	2/2011	Castel	A61F 7/00
				132/200					604/20
D750,225	S *	2/2016	Rabe	D24/119	2011/0129283	A1	6/2011	Samain	
9,616,668	B1 *	4/2017	Rabe	B41J 3/36	2011/0155161	A1	6/2011	Samain	
9,616,692	B1 *	4/2017	Rabe	B41J 3/36	2011/0159463	A1 *	6/2011	Samain	A45D 44/005
D812,135	S *	3/2018	Park	D18/50					434/100
2003/0060810	A1	3/2003	Syrowicz		2011/0162673	A1 *	7/2011	Samain	A45D 44/005
2003/0075195	A1 *	4/2003	Saksa	A45D 34/04					132/317
				132/200	2013/0289196	A1	10/2013	Tanrikulu	
2006/0265823	A1	11/2006	Knopow et al.		2014/0064821	A1	3/2014	Price et al.	
2008/0060665	A1	3/2008	Umeno et al.		2015/0298459	A1 *	10/2015	Yasumoto	B41J 2/17503
2008/0194971	A1	8/2008	Edgar						347/86
2009/0025747	A1	1/2009	Edgar		2016/0022010	A1 *	1/2016	Rabe	A45D 40/261
2010/0065576	A1	3/2010	Verheij						132/200
2010/0224205	A1	9/2010	Mitra		2016/0022972	A1 *	1/2016	Rabe	A45D 34/00
2010/0224209	A1	9/2010	Rabe						401/195
2010/0224210	A1	9/2010	Rabe		2017/0156994	A1 *	6/2017	Lingoes	A61K 8/8147
					2017/0157933	A1 *	6/2017	Vernon	B41J 3/36
					2017/0157962	A1 *	6/2017	Rabe	B41J 29/04

* cited by examiner

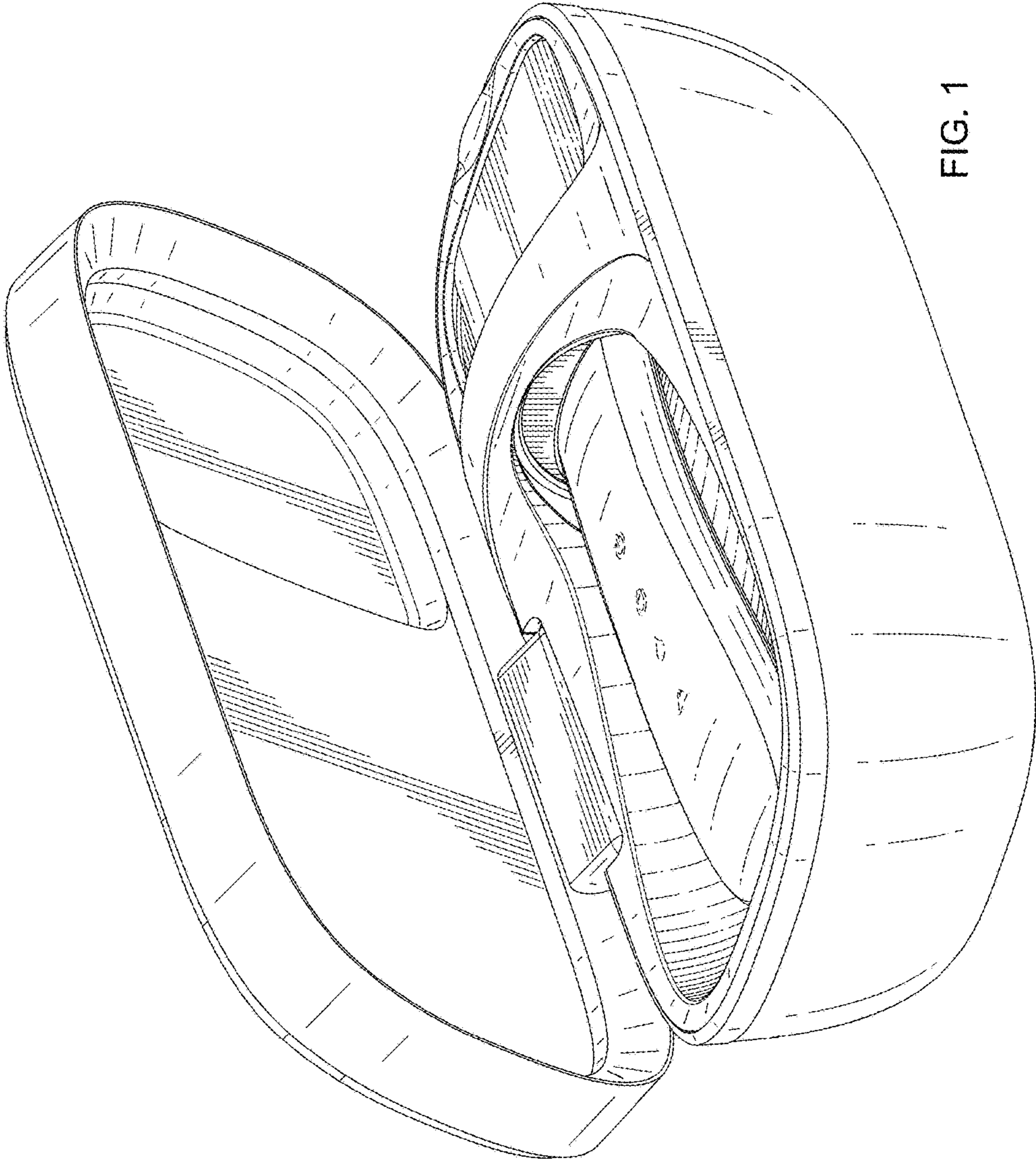


FIG. 1

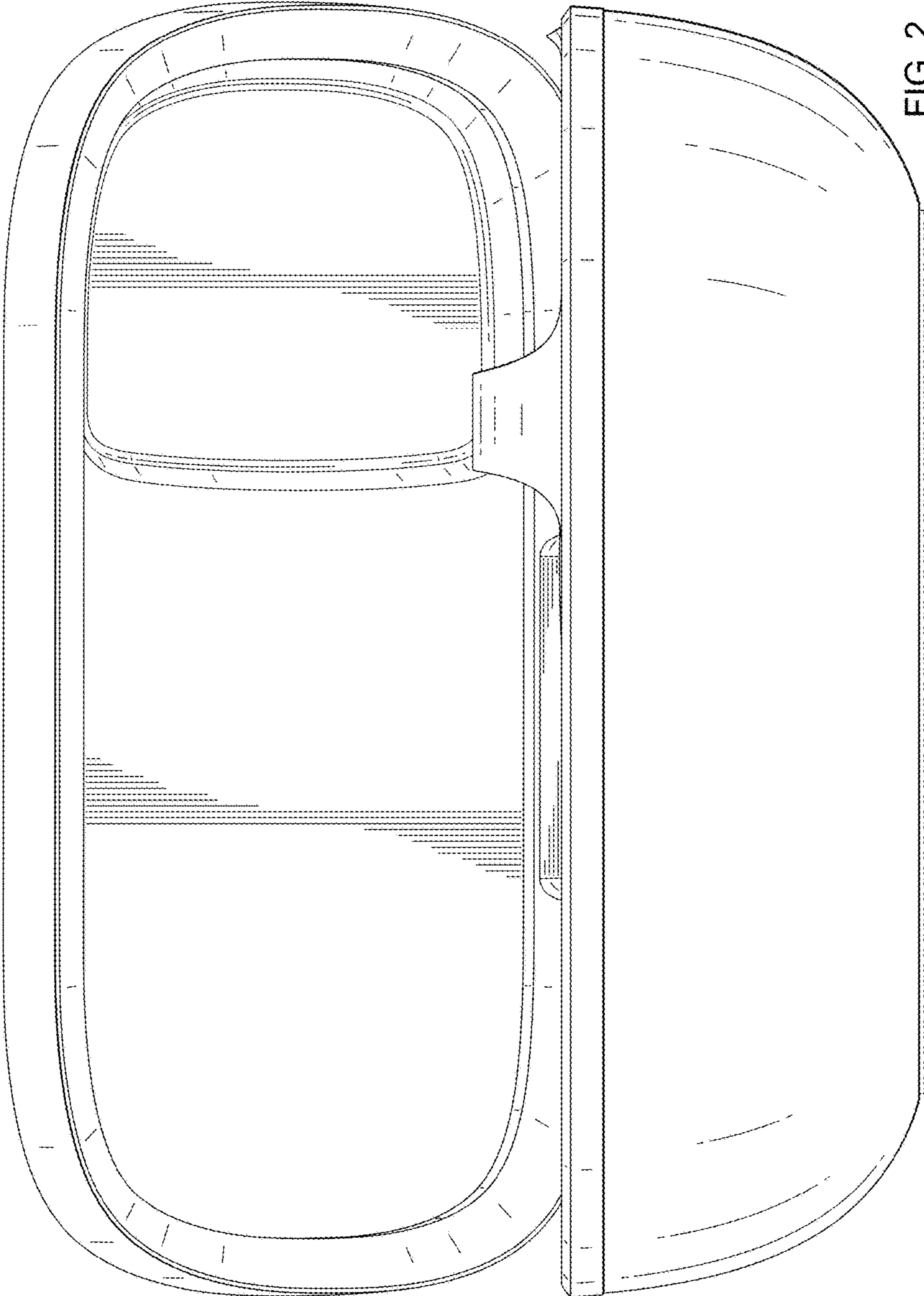


FIG. 2

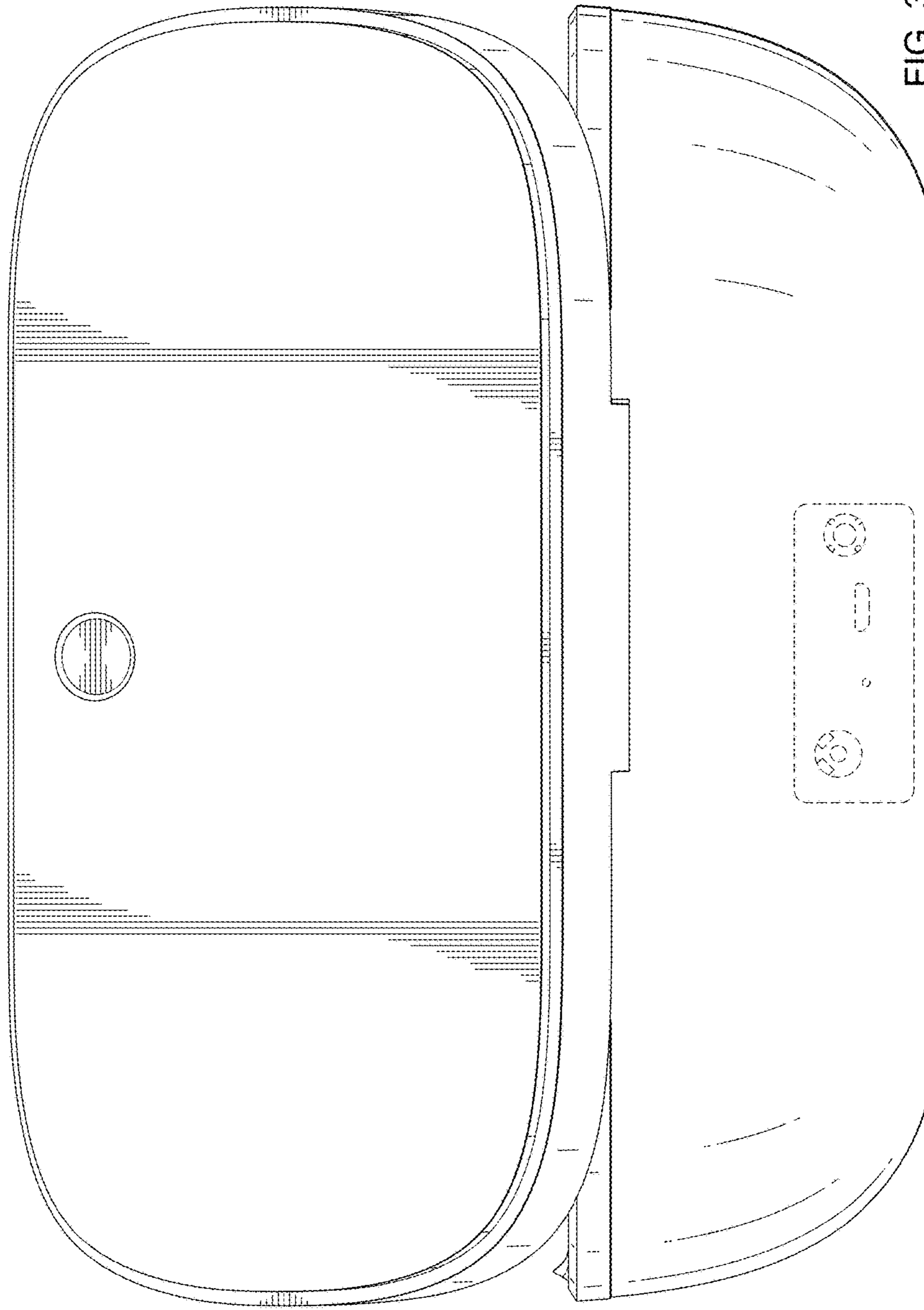


FIG. 3

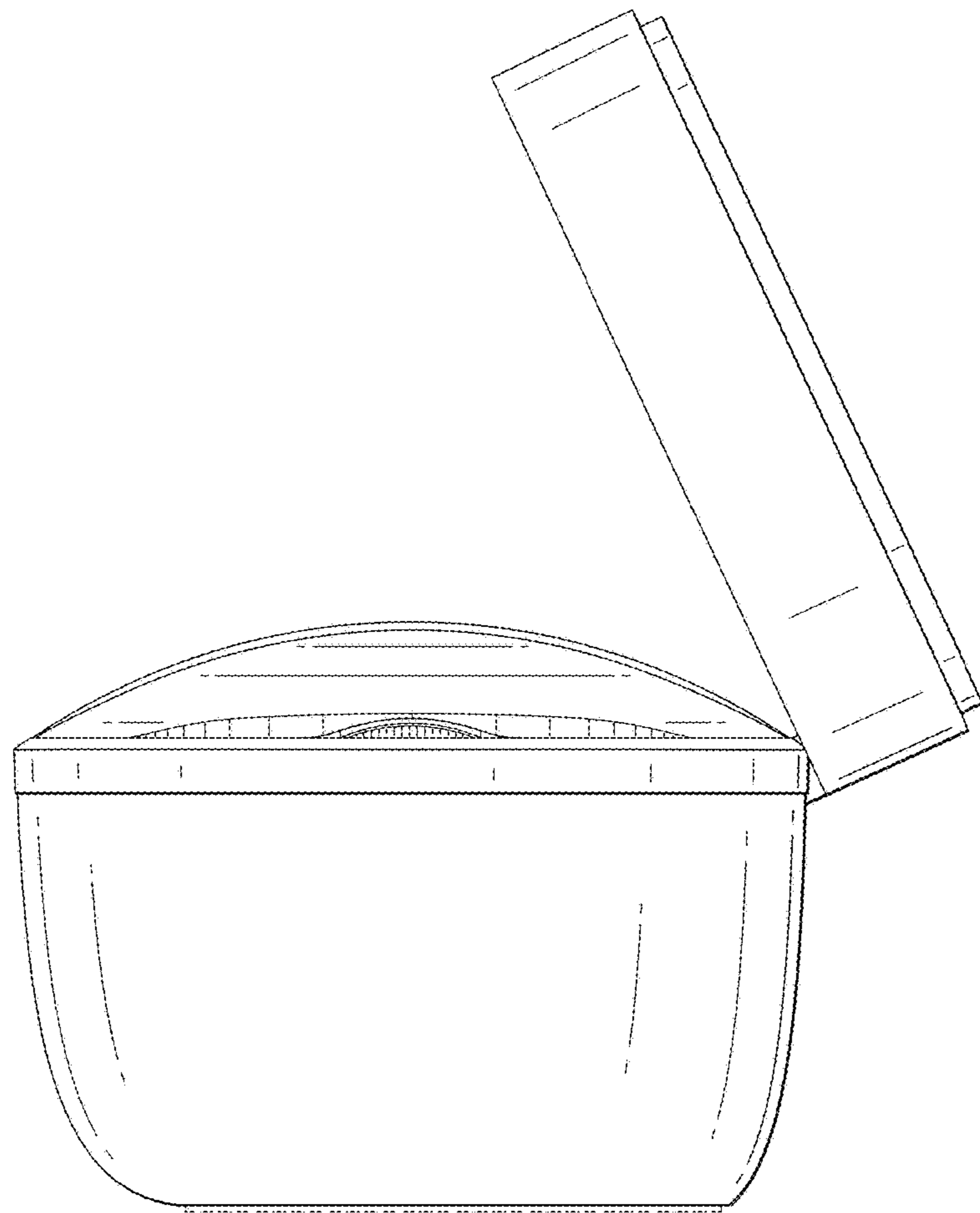


FIG. 4

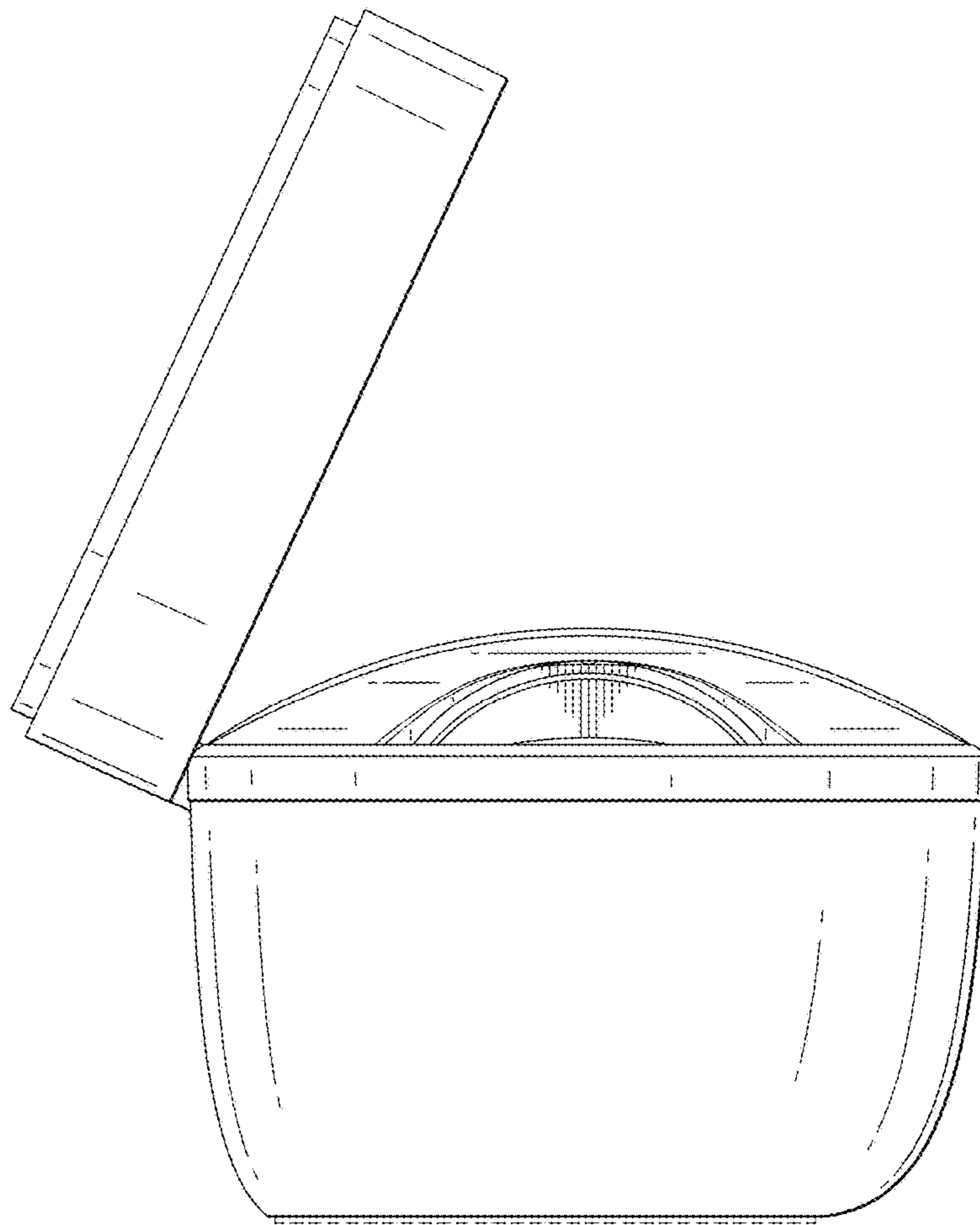


FIG. 5

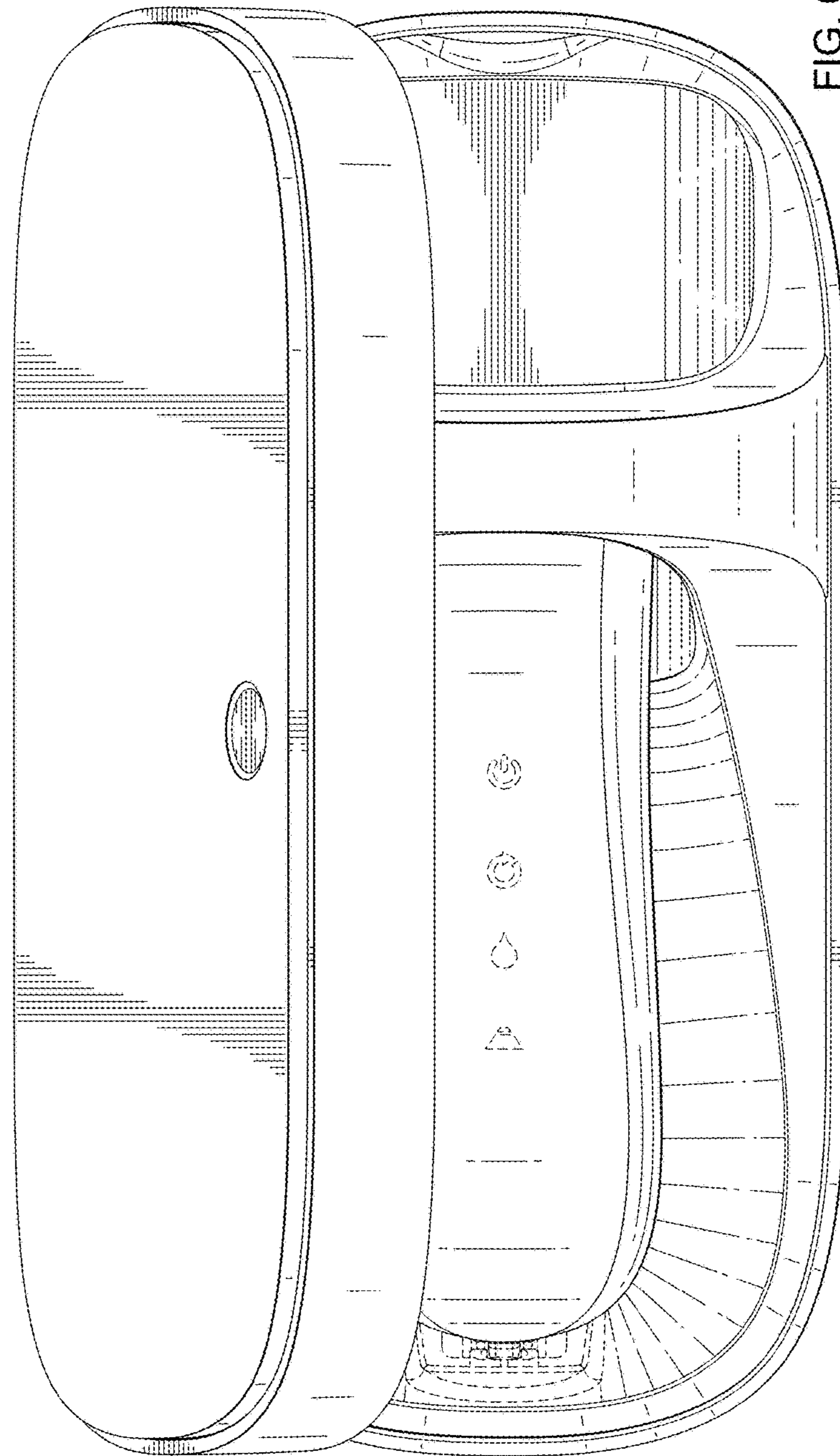


FIG. 6

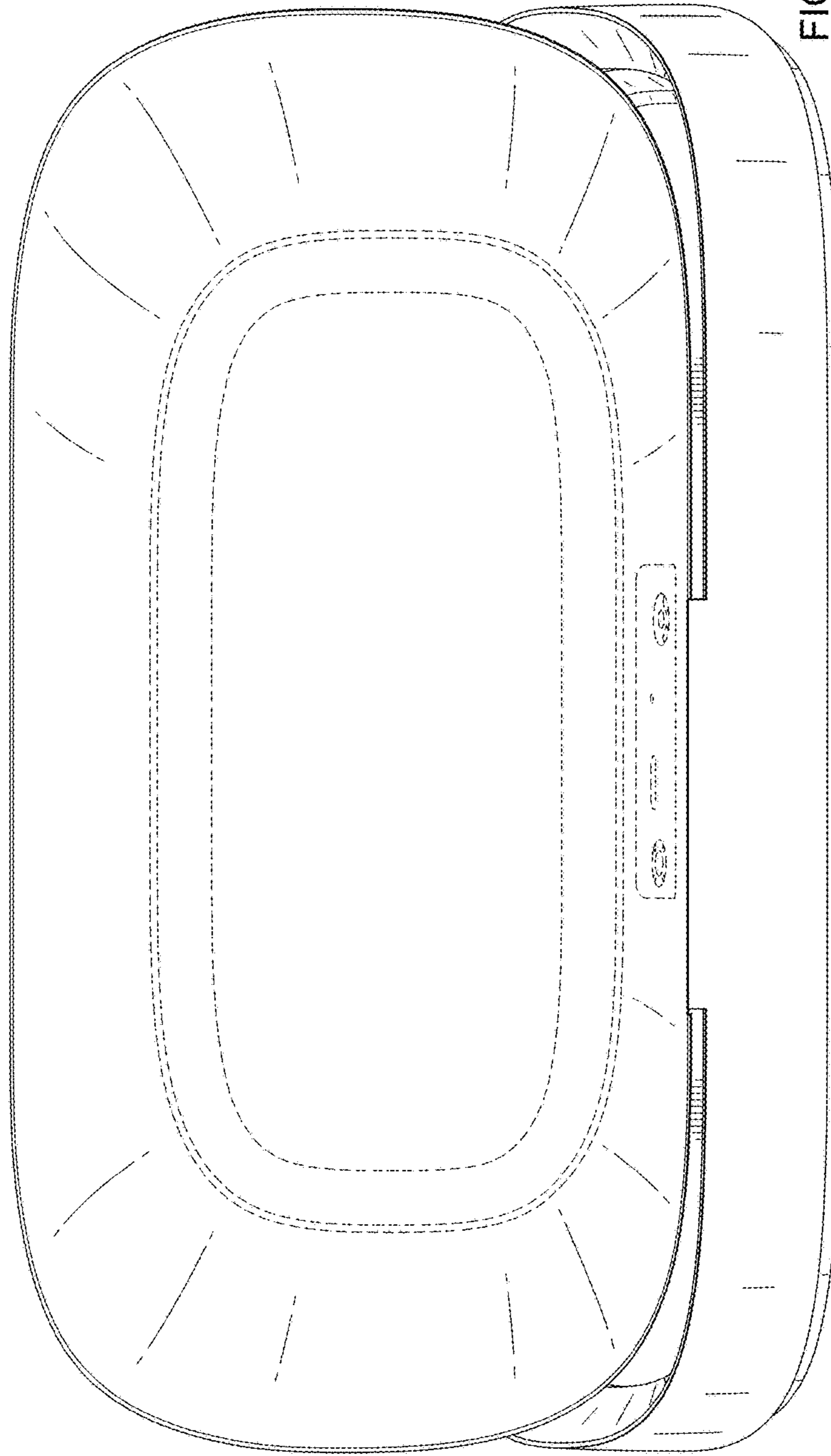


FIG. 7