



US00D838410S

(12) **United States Design Patent**
Reimann

(10) **Patent No.:** **US D838,410 S**

(45) **Date of Patent:** **** Jan. 15, 2019**

(54) **WATER PIPE**

(71) Applicant: **William James Reimann**, Boise, ID
(US)

(72) Inventor: **William James Reimann**, Boise, ID
(US)

(**) Term: **15 Years**

(21) Appl. No.: **29/616,678**

(22) Filed: **Sep. 7, 2017**

(51) **LOC (11) Cl.** **27-02**

(52) **U.S. Cl.**
USPC **D27/162**

(58) **Field of Classification Search**
USPC D27/100, 103, 163, 164, 167-170, 194;
D11/154, 157; D23/360; 131/173,
131/329-331

CPC A24F 1/30; A24F 1/02; A24F 1/00; A24F
47/008; A24F 47/002

See application file for complete search history.

(56) **References Cited**

U.S. PATENT DOCUMENTS

D349,780 S *	8/1994	Heine	D27/162
D368,325 S *	3/1996	Heine	D27/162
RE36,523 E *	1/2000	Newman	A24F 1/30
				D27/162
D442,327 S *	5/2001	Neason	D27/162
D554,797 S *	11/2007	Kassir	D27/162
D622,099 S *	8/2010	Pike	D27/162
D684,312 S *	6/2013	Badawi	D27/162
D728,854 S *	5/2015	Siniakov	D27/162
D736,644 S *	8/2015	Hamilton	D27/162

D754,392 S *	4/2016	Helou	D27/162
D754,914 S *	4/2016	Helou	D27/162
D754,915 S *	4/2016	Helou	D27/162
D755,439 S *	5/2016	Helou	D27/162
D757,355 S *	5/2016	al Arja	D27/162
D759,305 S *	6/2016	Gamble, Jr.	D27/170
D806,945 S *	1/2018	Lepper	D27/163

* cited by examiner

Primary Examiner — Susan Bennett Hattan

Assistant Examiner — Rebecca Tsehaye

(74) *Attorney, Agent, or Firm* — Parsons Behle & Latimer

(57) **CLAIM**

The ornamental design for a water pipe, as shown.

DESCRIPTION

FIG. 1 is a perspective view of a water pipe embodying the new design;

FIG. 2 is a side elevation view showing a right side of a water pipe embodying the new design;

FIG. 3 is a side elevation view showing a left side of a water pipe embodying the new design;

FIG. 4 is a side elevation view showing a back side of a water pipe embodying the new design;

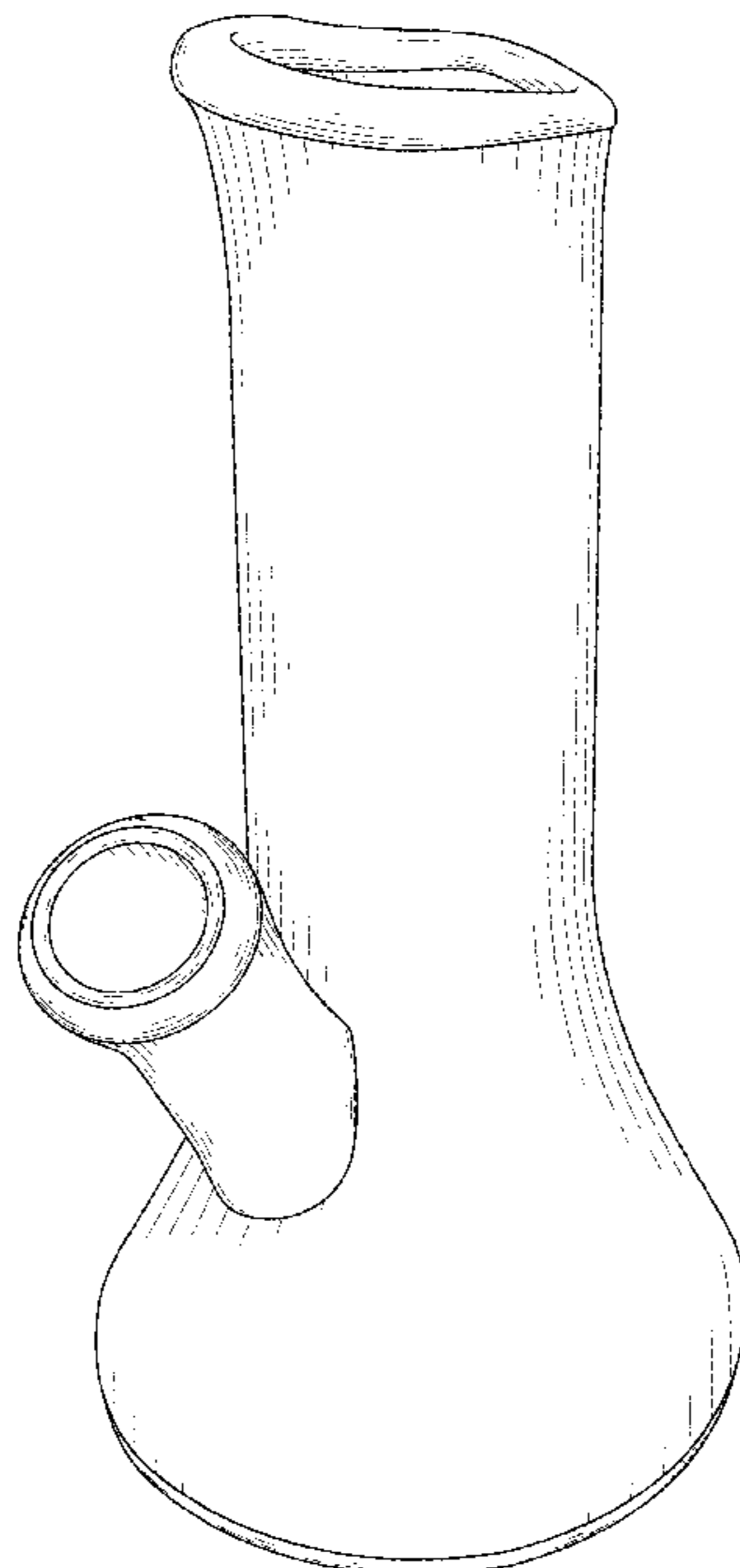
FIG. 5 is a side elevation view showing a front side of a water pipe embodying the new design;

FIG. 6 is a top view thereof; and,

FIG. 7 is a bottom view thereof.

The broken lines in the drawings depict portions of the water pipe that form no part of the claimed design.

1 Claim, 4 Drawing Sheets



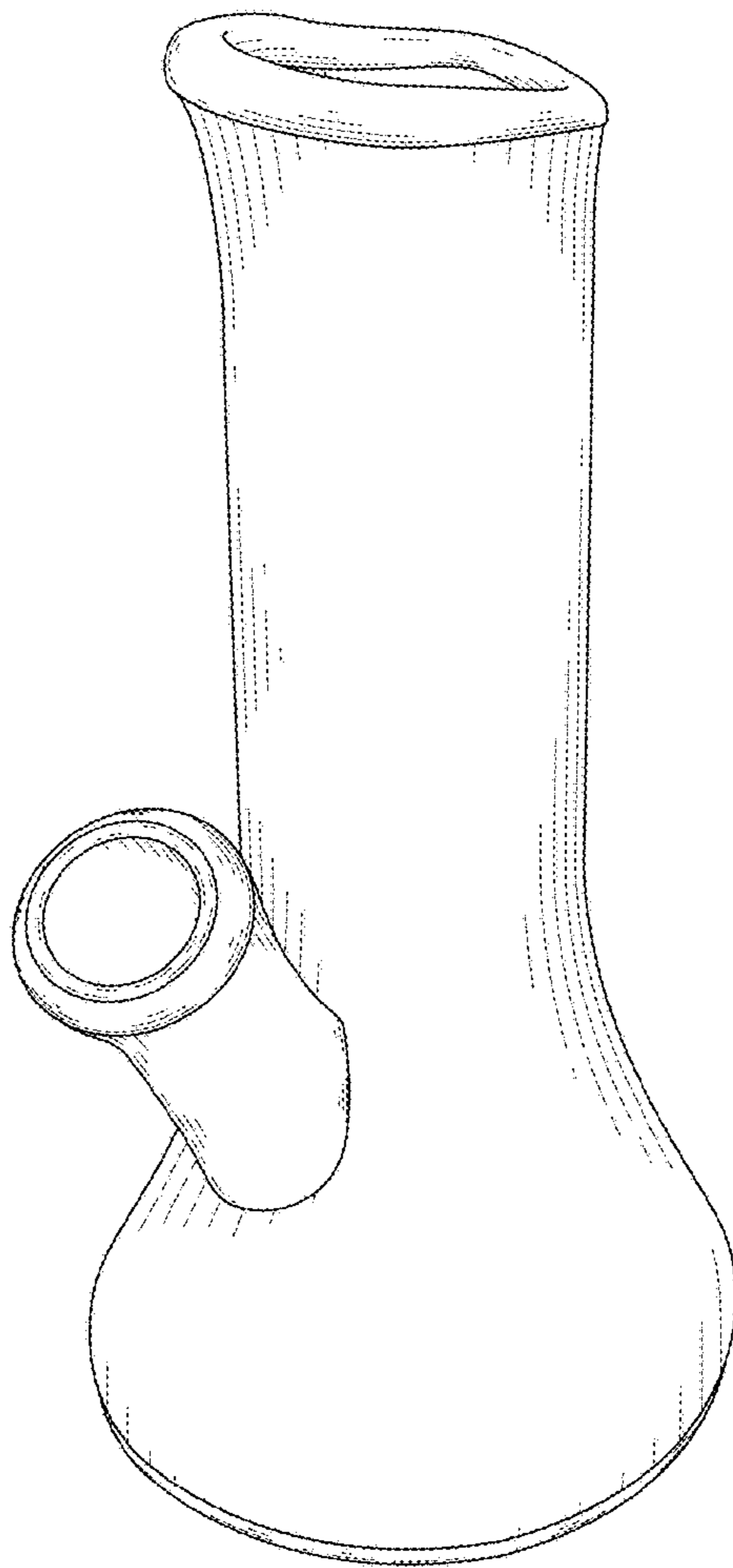


FIG. 1

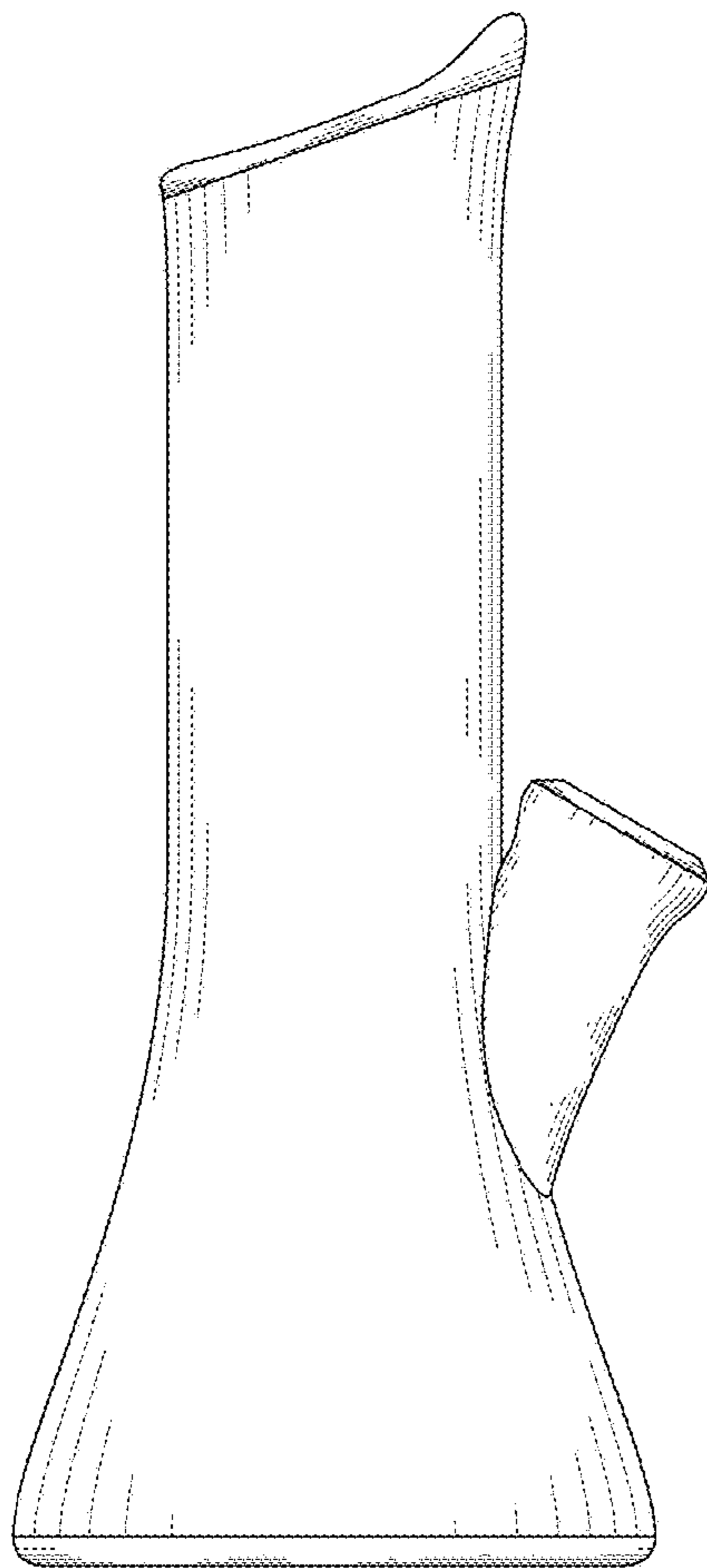


FIG. 2

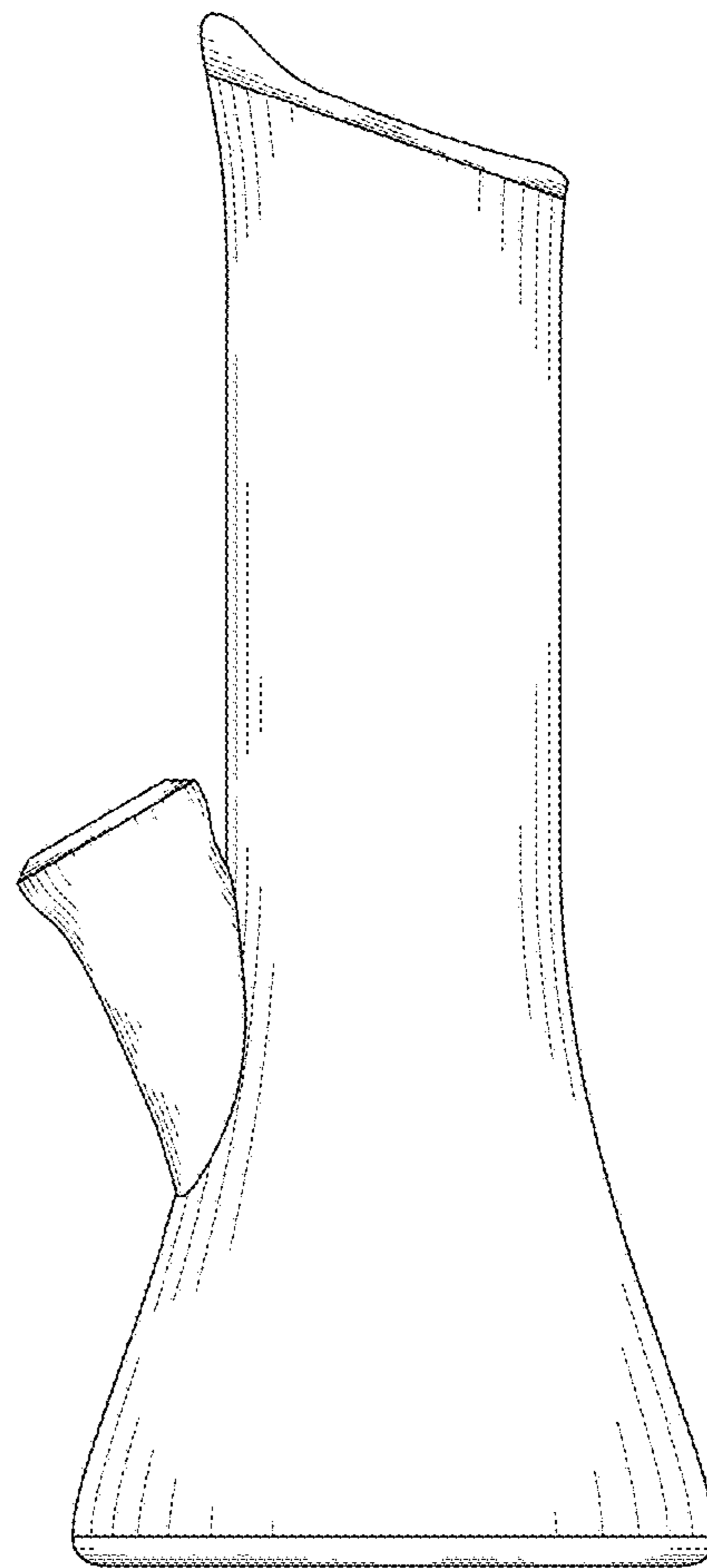


FIG. 3

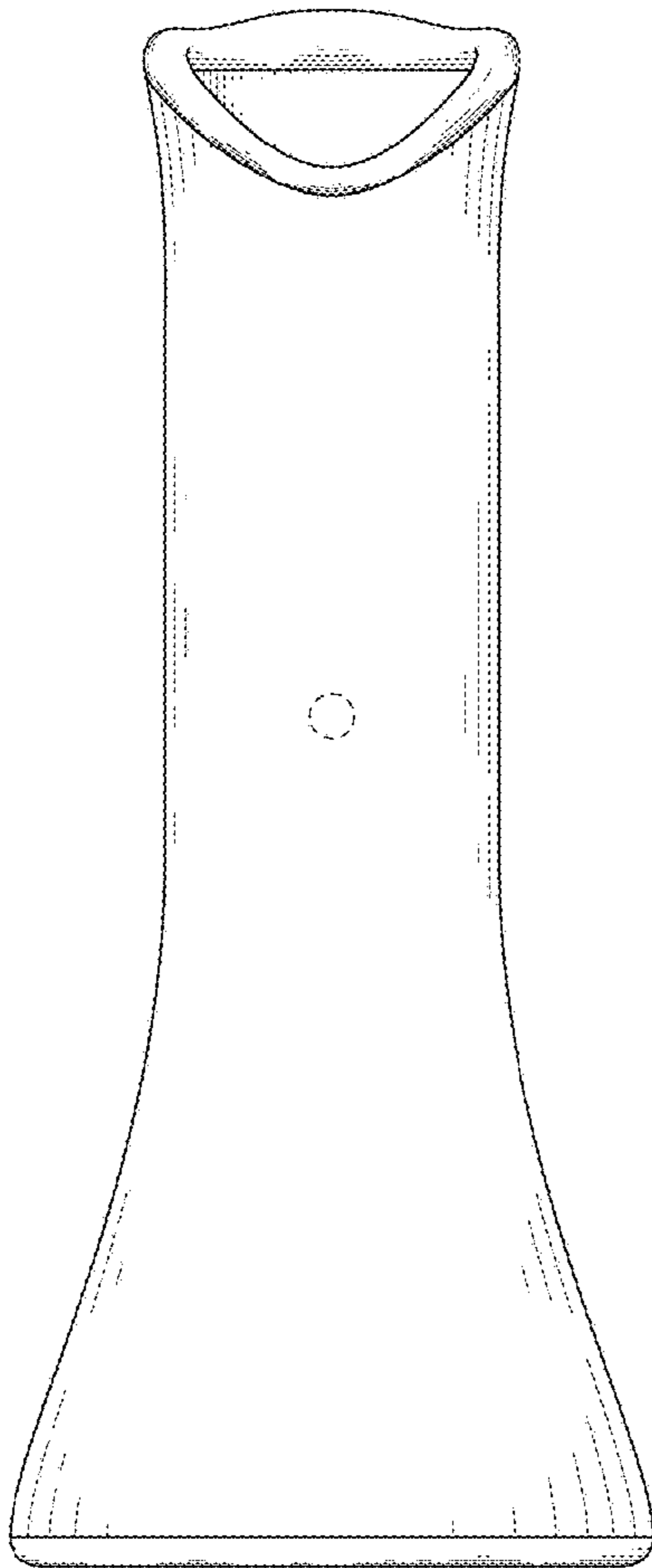


FIG. 4

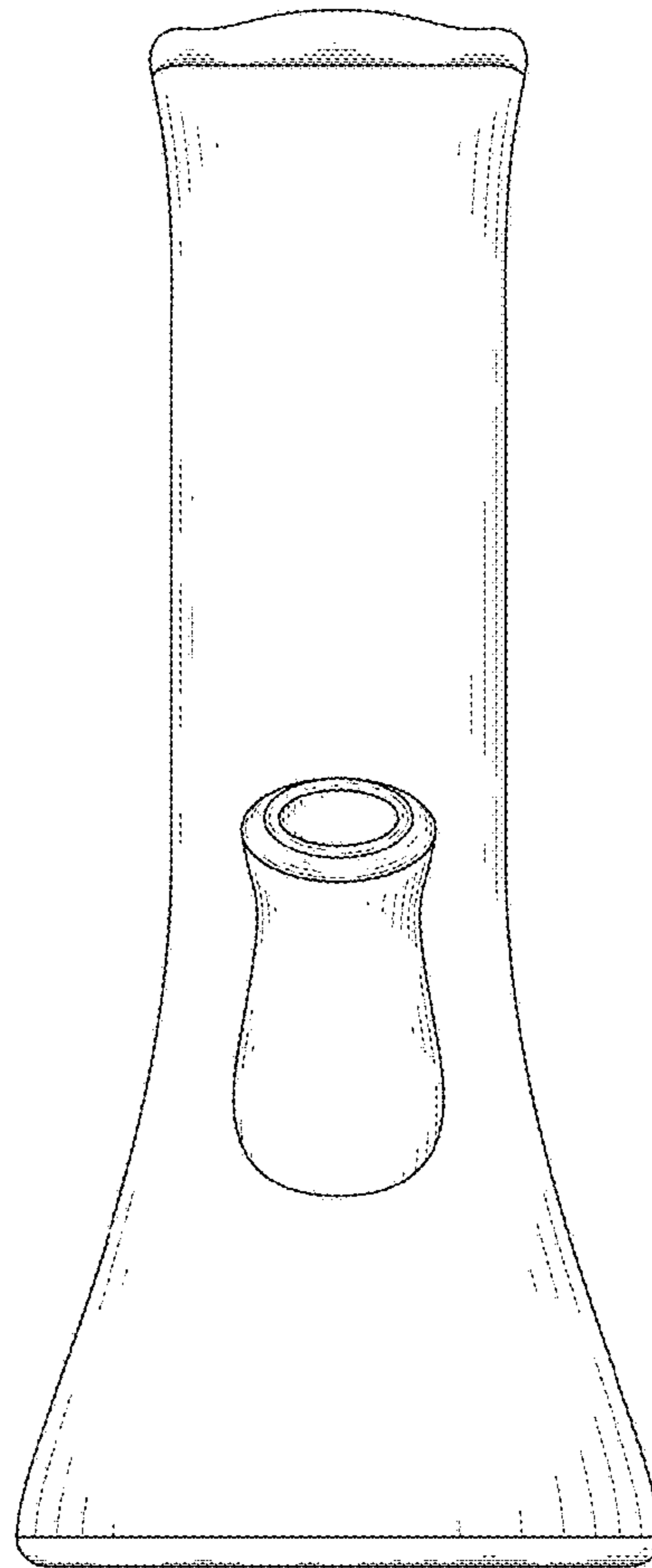


FIG. 5

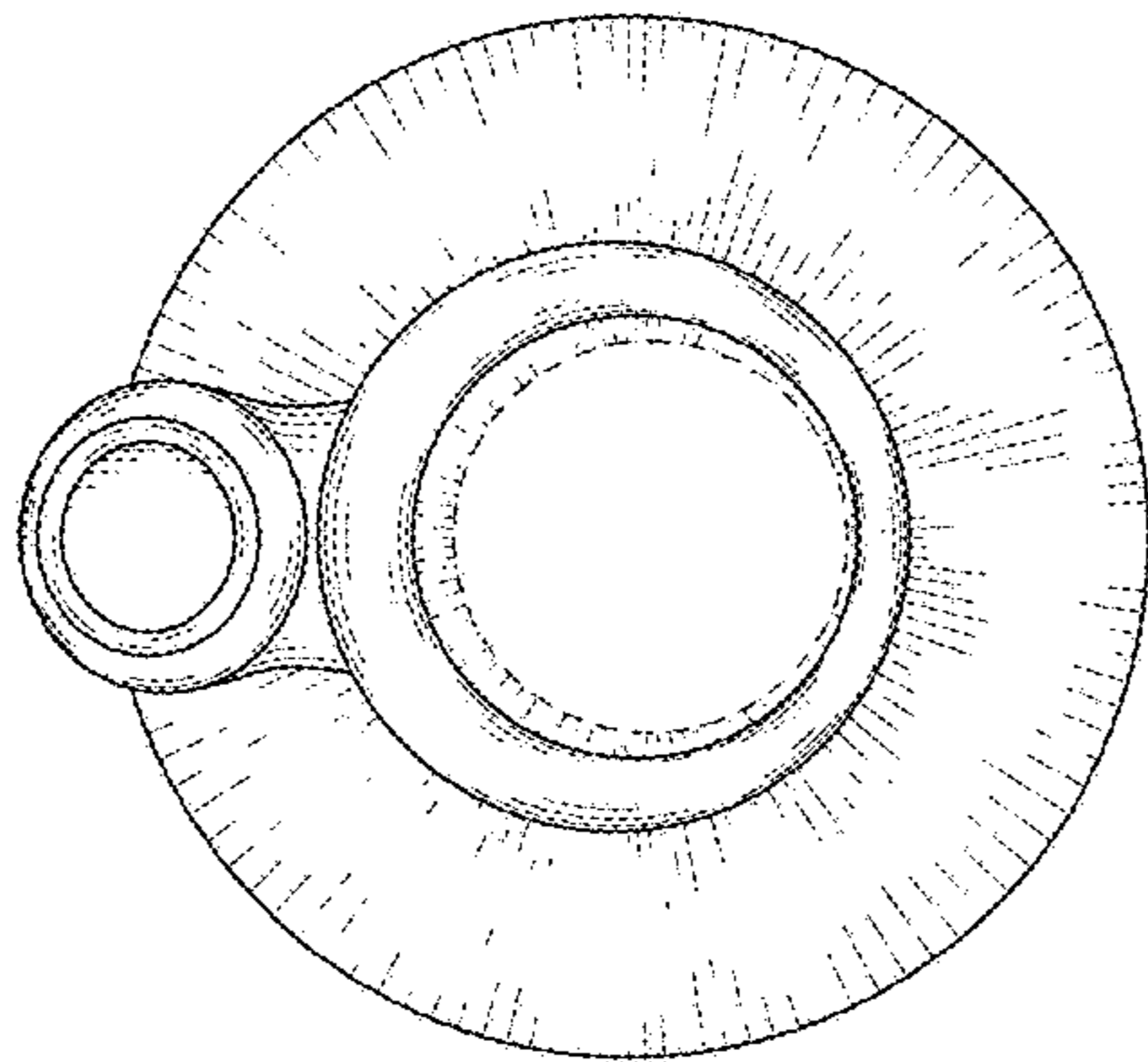


FIG. 6

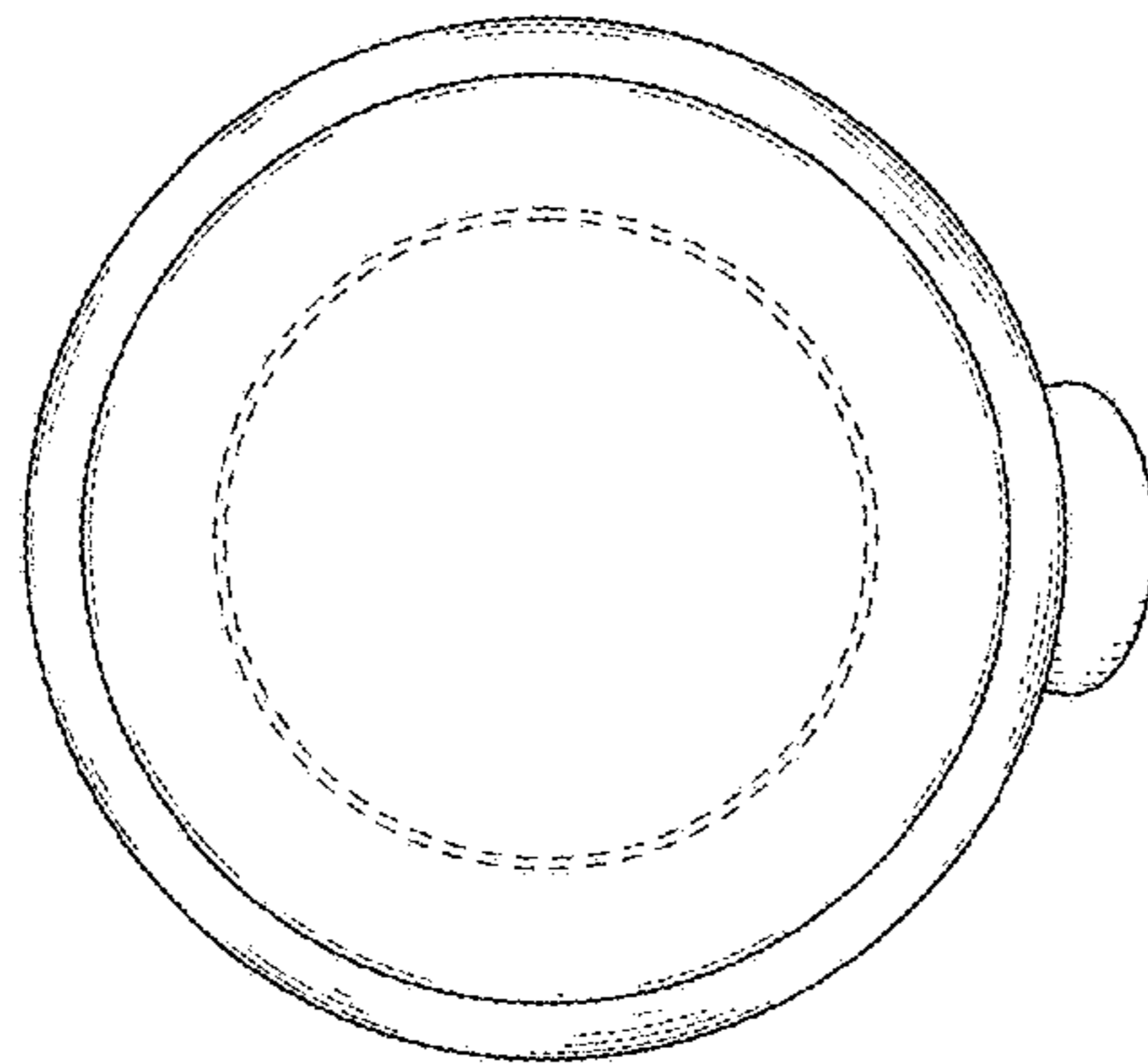


FIG. 7