



US00D838409S

(12) **United States Design Patent**
Reimann

(10) **Patent No.:** **US D838,409 S**

(45) **Date of Patent:** **** Jan. 15, 2019**

- (54) **PIPE**
- (71) Applicant: **William James Reimann**, Boise, ID (US)
- (72) Inventor: **William James Reimann**, Boise, ID (US)
- (**) Term: **15 Years**
- (21) Appl. No.: **29/615,381**
- (22) Filed: **Aug. 29, 2017**
- (51) **LOC (11) Cl.** **27-02**
- (52) **U.S. Cl.**
USPC **D27/162**
- (58) **Field of Classification Search**
USPC D27/162-169, 170; 131/195, 196, 197, 131/199, 216, 220, 328-330
CPC A24F 2/30; A24F 2/32; A24F 2/22; A24F 2/00; A24F 2/02; A24F 2/122; A24F 5/00; A24F 5/08
See application file for complete search history.

- 4,687,005 A * 8/1987 Moore A24F 5/08 131/202
- D304,771 S * 11/1989 Katayama D27/163
- 5,746,226 A * 5/1998 Beaver A24F 5/00 131/220
- D436,686 S * 1/2001 Fujisawa D27/163
- D582,094 S * 12/2008 Lee D27/163
- D665,297 S * 8/2012 Parris D11/40

* cited by examiner

Primary Examiner — Susan Bennett Hattan
Assistant Examiner — Rebecca Tsehaye
(74) *Attorney, Agent, or Firm* — Parsons Behle & Latimer

(57) **CLAIM**

The ornamental design for a pipe, as shown.

DESCRIPTION

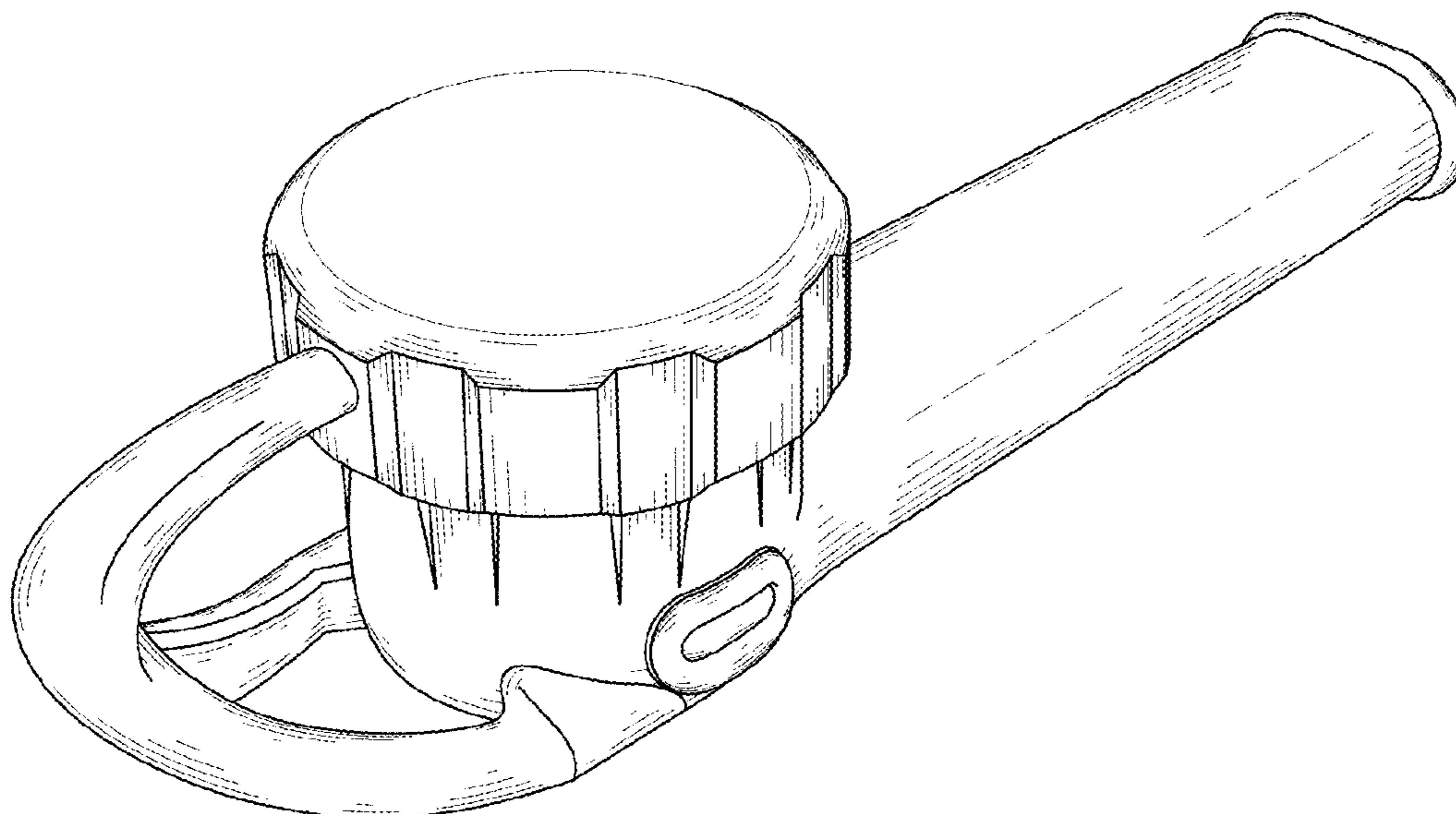
FIG. 1 is a perspective view of a left side of a pipe embodying the new design;
FIG. 2 is a perspective view of a right side of a pipe embodying the new design;
FIG. 3 is a top view of a pipe embodying the new design;
FIG. 4 is a bottom view showing of a pipe embodying the new design;
FIG. 5 is a side elevation view showing a left side of a pipe embodying the new design;
FIG. 6 is a side elevation view showing a right side of a pipe embodying the new design;
FIG. 7 is a side elevation view showing a front side of a pipe embodying the new design; and,
FIG. 8 is a side elevation view showing a back side of a pipe embodying the new design.

(56) **References Cited**

U.S. PATENT DOCUMENTS

- 3,645,274 A * 2/1972 Lebert A24F 5/00 131/198.1
- 3,882,875 A * 5/1975 Frost A24F 1/30 131/173
- 4,031,905 A * 6/1977 Dunn A24F 1/30 131/173
- D250,486 S * 12/1978 McCorkle D27/166
- D254,510 S * 3/1980 Shaak D27/163
- 4,213,469 A * 7/1980 Ramsay A24F 1/00 131/199
- 4,303,083 A * 12/1981 Burruss, Jr. A61M 15/06 131/194

1 Claim, 3 Drawing Sheets



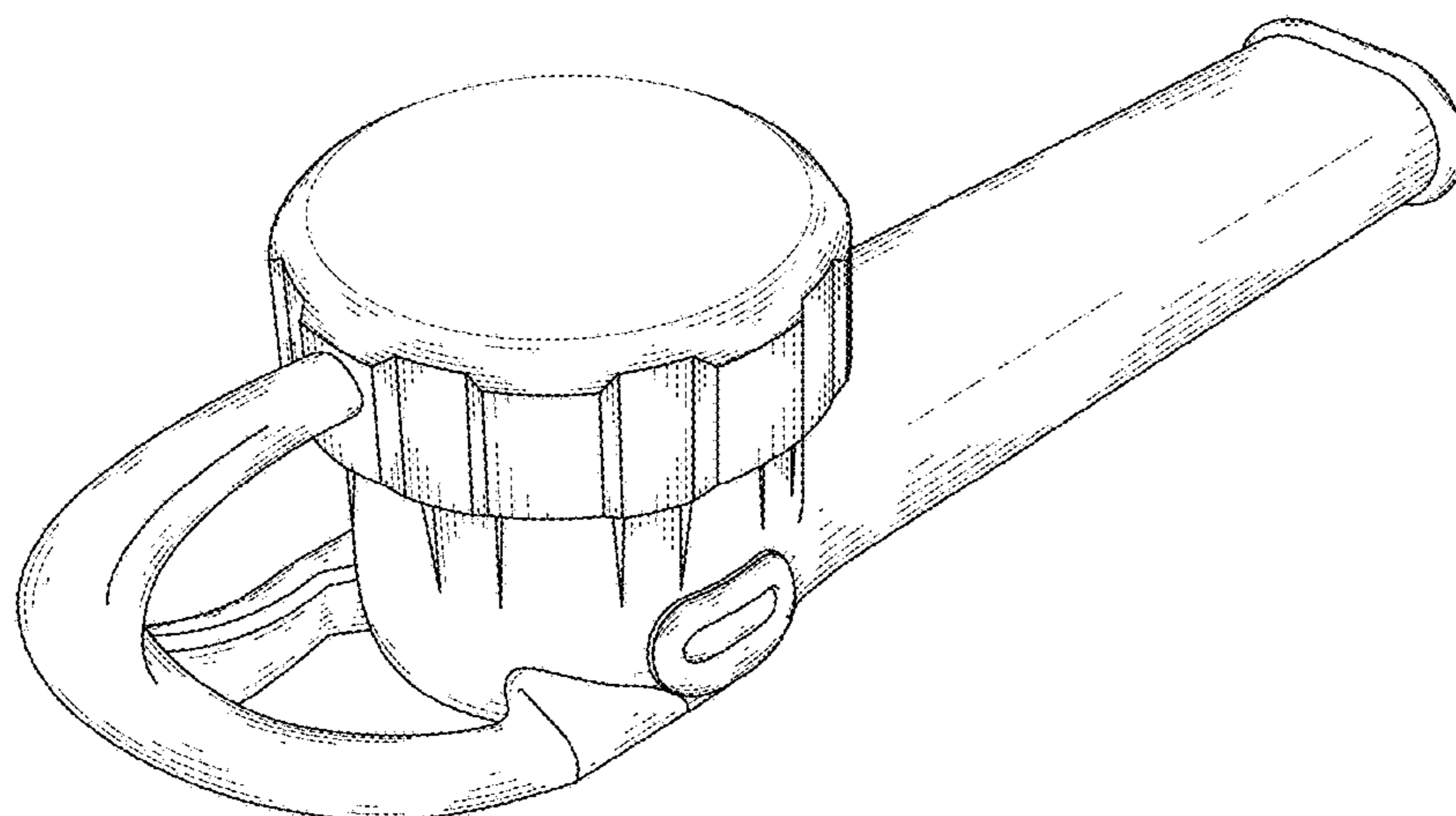


FIG. 1

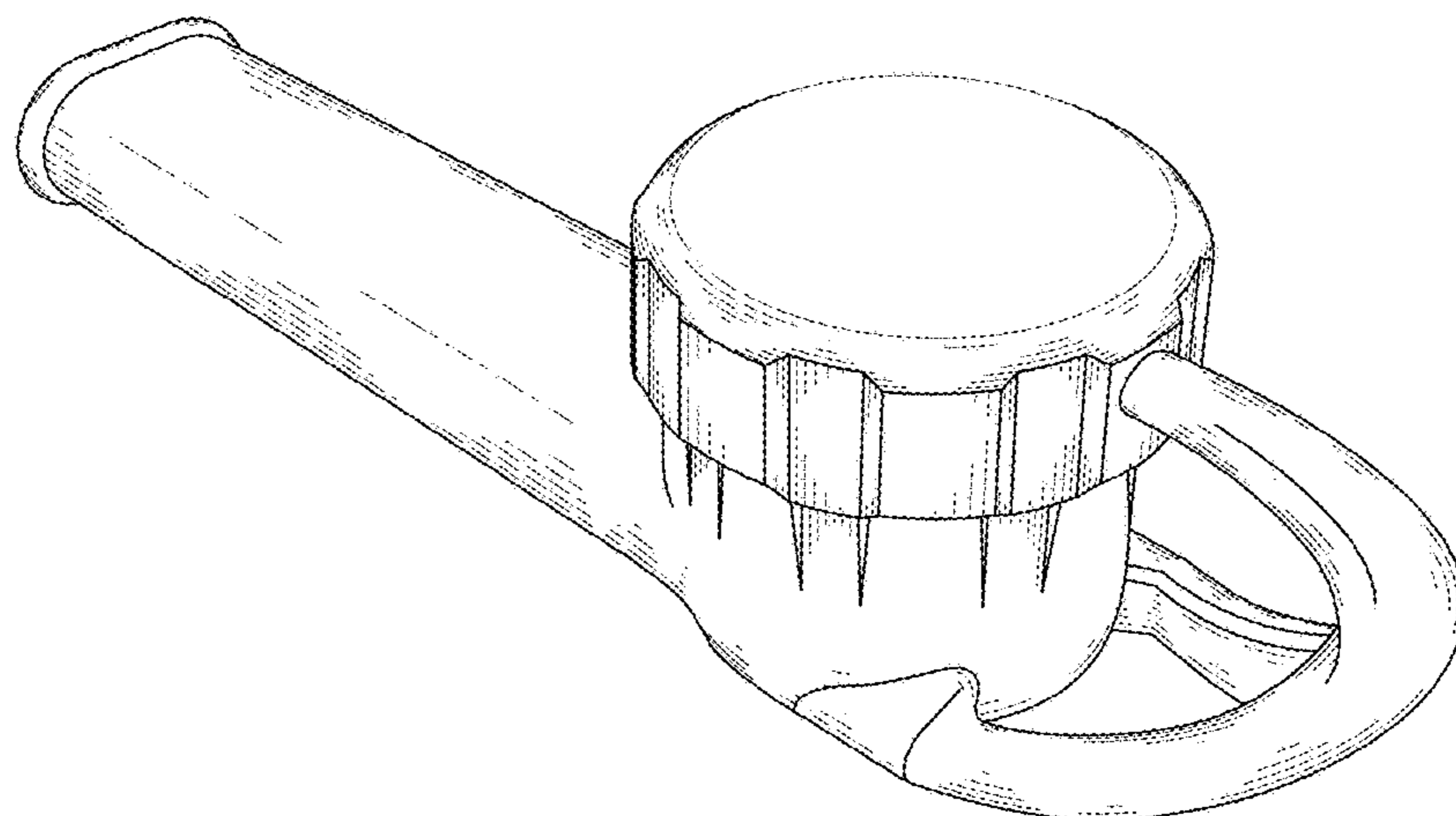


FIG. 2

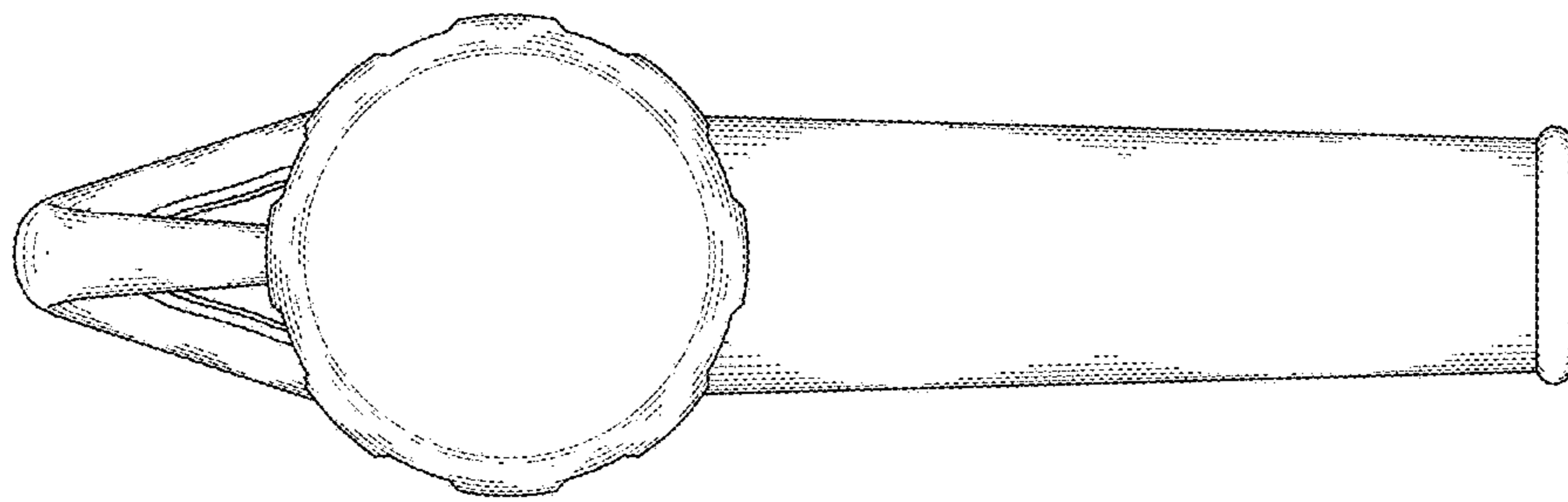


FIG. 3

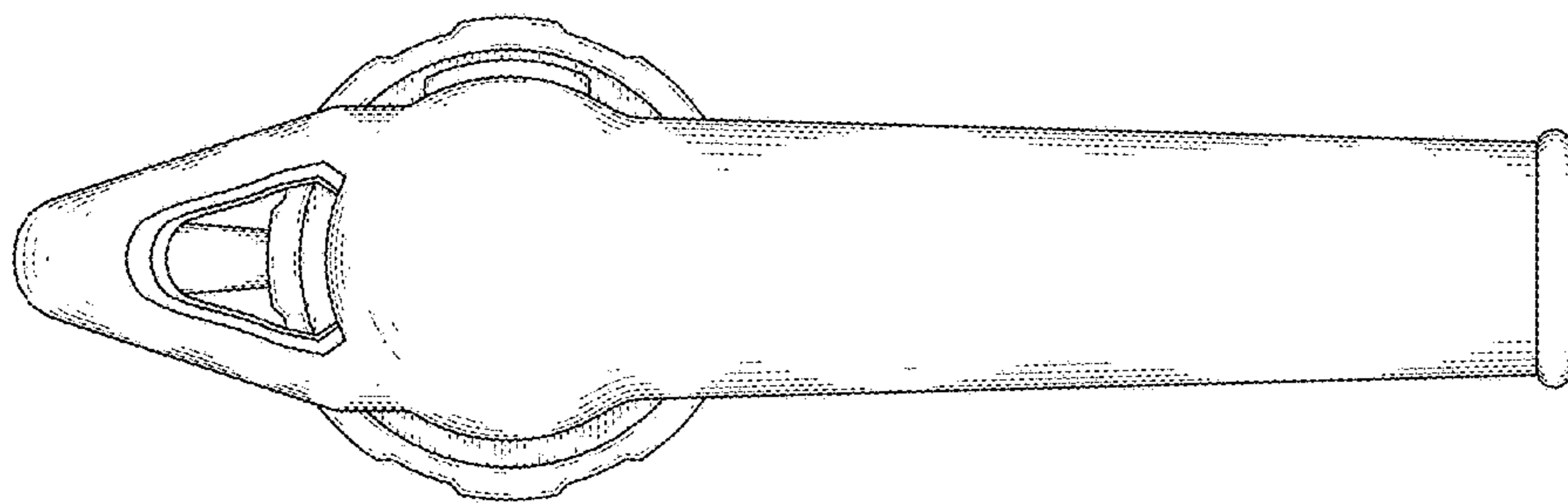


FIG. 4

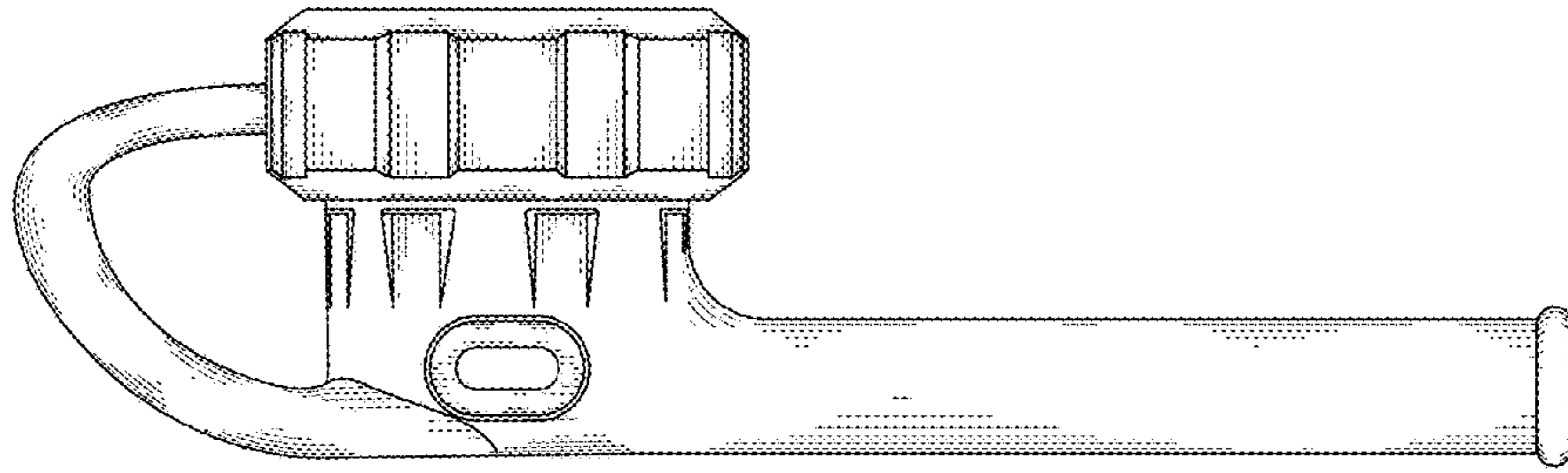


FIG. 5

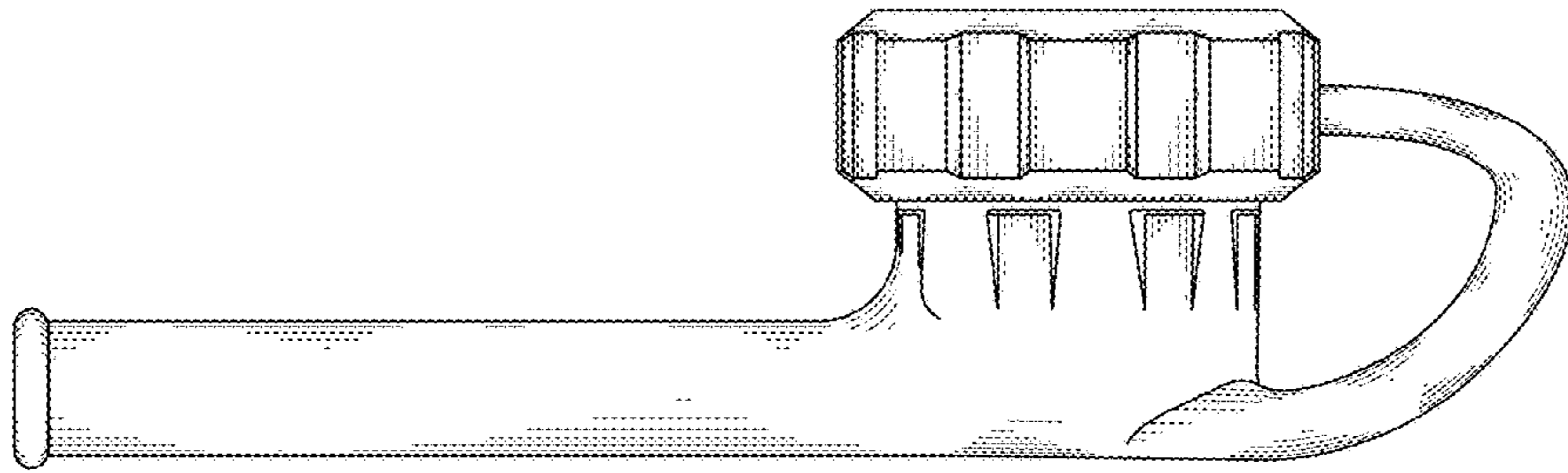


FIG. 6

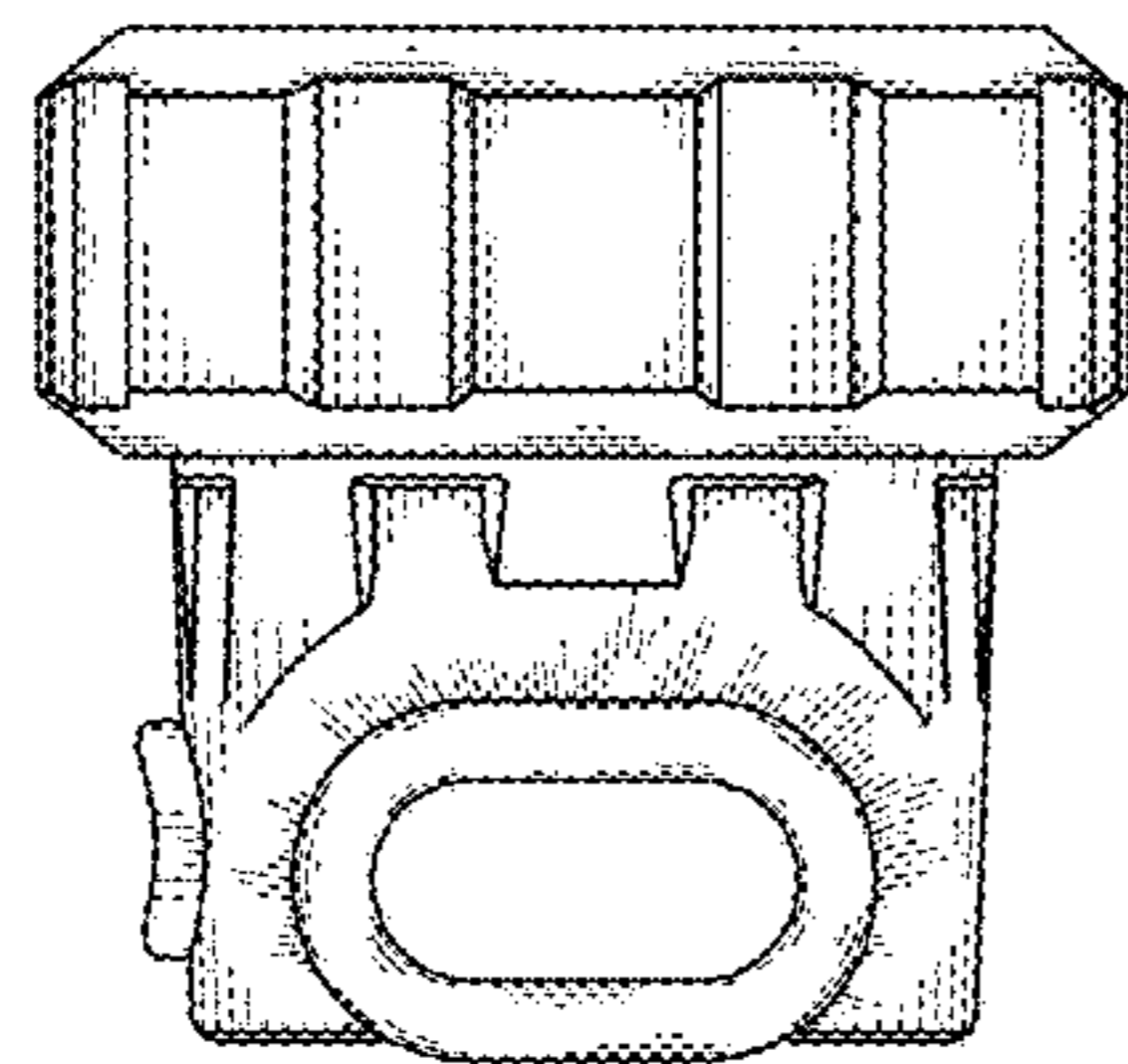


FIG. 7

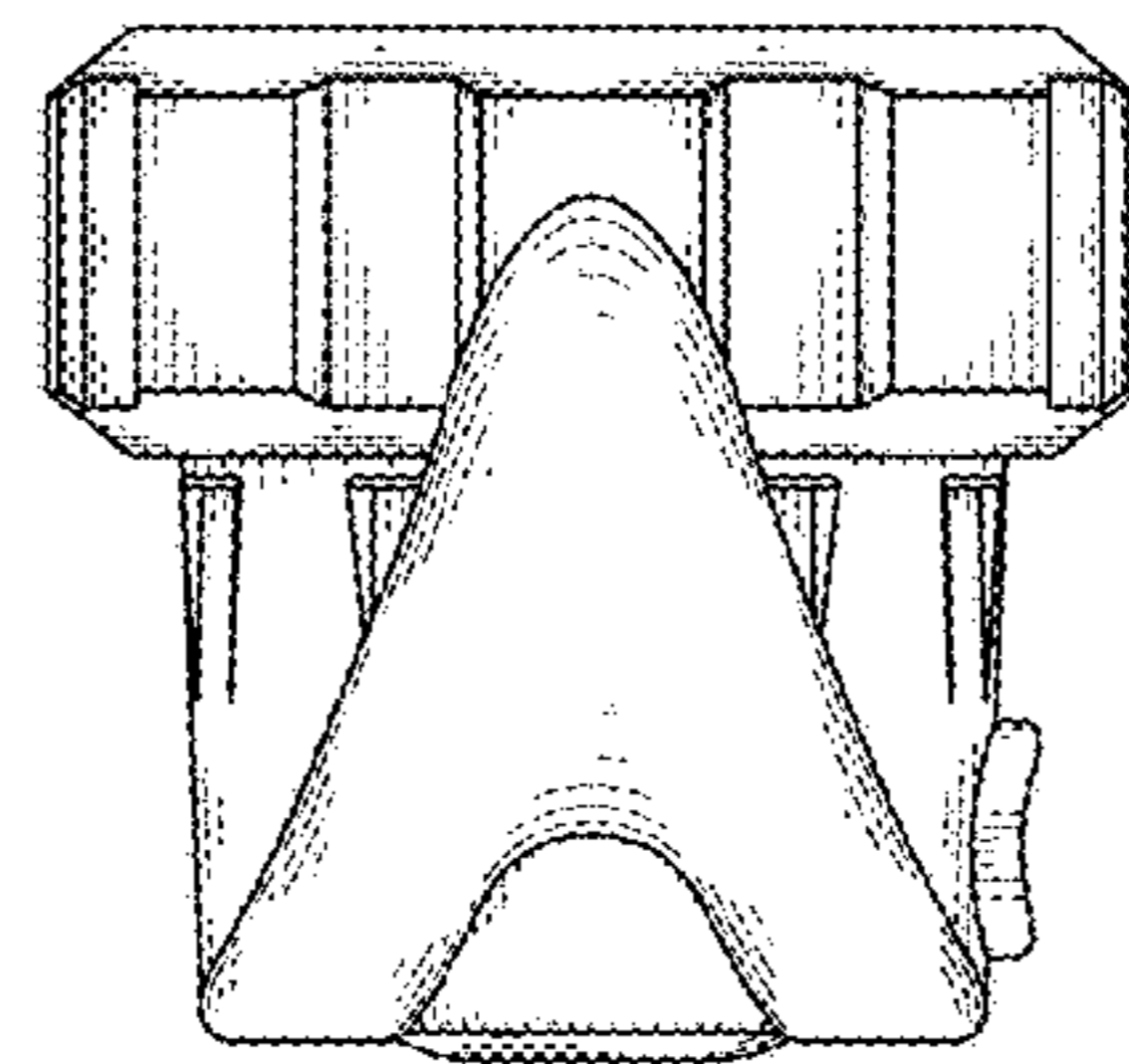


FIG. 8