



US00D838404S

(12) **United States Design Patent**
Nguyen-Viveros

(10) **Patent No.:** **US D838,404 S**
(45) **Date of Patent:** **** Jan. 15, 2019**

- (54) **LED STRING LIGHT CANDLE**
- (71) Applicant: **MerchSource, LLC**, Irvine, CA (US)
- (72) Inventor: **Y-Co Thy Nguyen-Viveros**, Irvine, CA (US)
- (73) Assignee: **MerchSource, LLC**, Irvine, CA (US)
- (**) Term: **15 Years**
- (21) Appl. No.: **29/606,805**
- (22) Filed: **Jun. 7, 2017**
- (51) **LOC (11) Cl.** **26-03**
- (52) **U.S. Cl.**
USPC **D26/96**
- (58) **Field of Classification Search**
USPC D26/4, 5, 6, 7, 9, 96
CPC F21S 6/00; F21S 6/001; F21S 10/04; F21S 10/10; F21S 10/043; F21S 8/08; F21S 48/115; F21V 21/00; F21V 35/00; F21W 2121/00; C11C 5/002; C11C 5/0048
See application file for complete search history.

D569,541 S * 5/2008 Shiu D26/96
8,789,986 B2 * 7/2014 Li F21S 6/001
362/393
D798,488 S 9/2017 Becker

OTHER PUBLICATIONS

<http://www.lightscapesuniversal.com/flameless-candles/>; LightScapes Universal; printed from website Sep. 22, 2017; 3pp.

* cited by examiner

Primary Examiner — Brian N. Vinson
(74) *Attorney, Agent, or Firm* — Avyno Law P.C.

(57) **CLAIM**

I claim the ornamental design for an LED string light candle, as shown and described.

DESCRIPTION

FIG. 1 is a front perspective view of an LED string light. FIG. 2 is a side view of a left side of the LED string light of FIG. 1. FIG. 3 is a side view of the right side of the LED string light of FIG. 1. FIG. 4 is a front view of the LED string light of FIG. 1. FIG. 5 is a rear view of the LED string light of FIG. 1. FIG. 6 is a top view of the LED string light of FIG. 1; and, FIG. 7 is a bottom view of the LED string light of FIG. 1. The broken lines shown are included for the purpose of illustrating the unclaimed portions of the article and form no part of the claimed design. The dashed lines above the broken lines is a boundary line that serves to define the bounds of the claimed design and does not form part of the claimed design.

1 Claim, 6 Drawing Sheets

(56) **References Cited**

U.S. PATENT DOCUMENTS

- D111,775 S * 10/1938 Seaver D26/6
- 2,541,725 A * 2/1951 Sundell C11C 5/004
431/126
- 4,225,552 A * 9/1980 Chang C11C 5/008
264/247
- D370,067 S * 5/1996 Osland D26/6
- D481,142 S * 10/2003 Leeds D26/6
- D488,582 S * 4/2004 Connelly D26/96

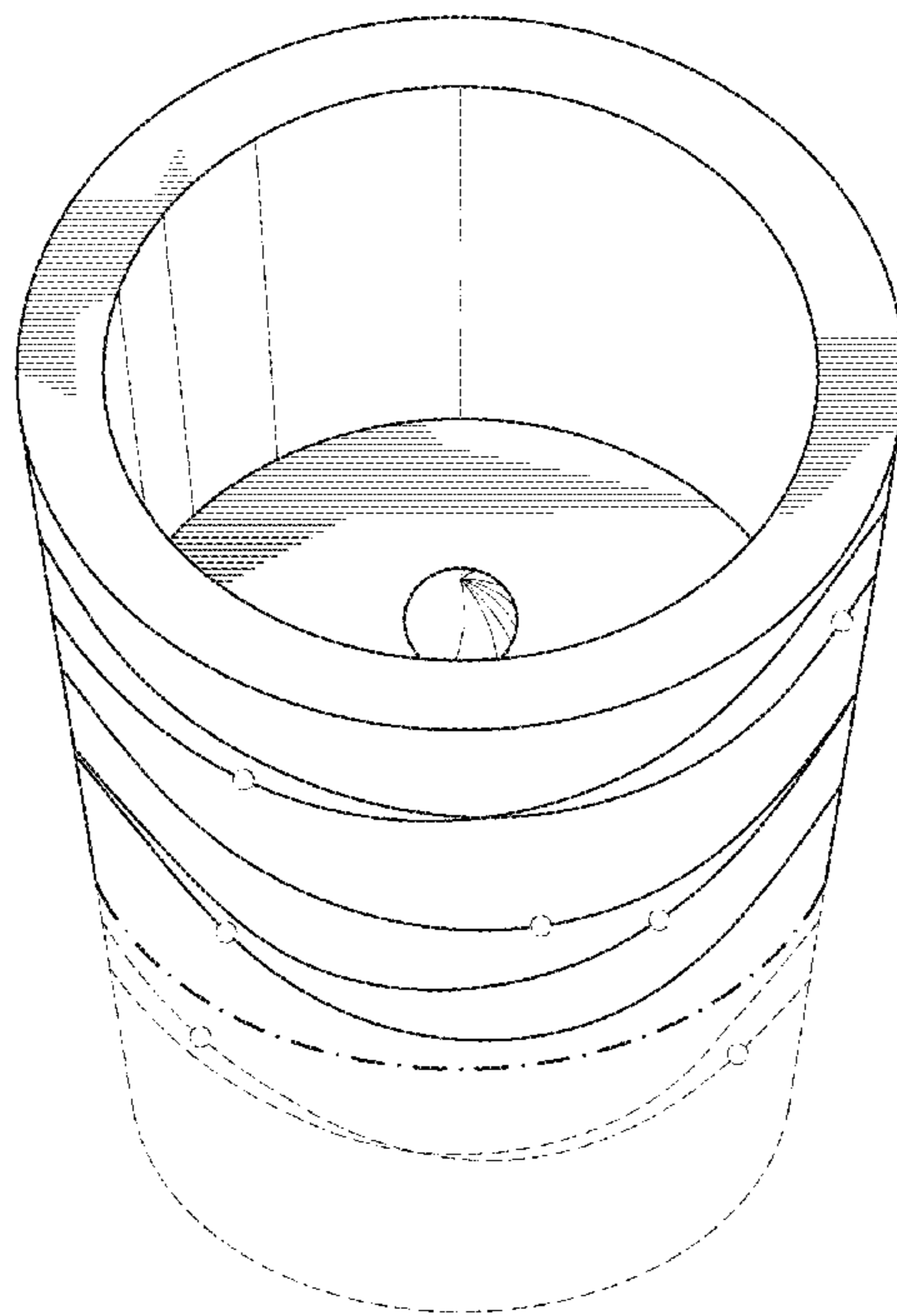


FIG. 1

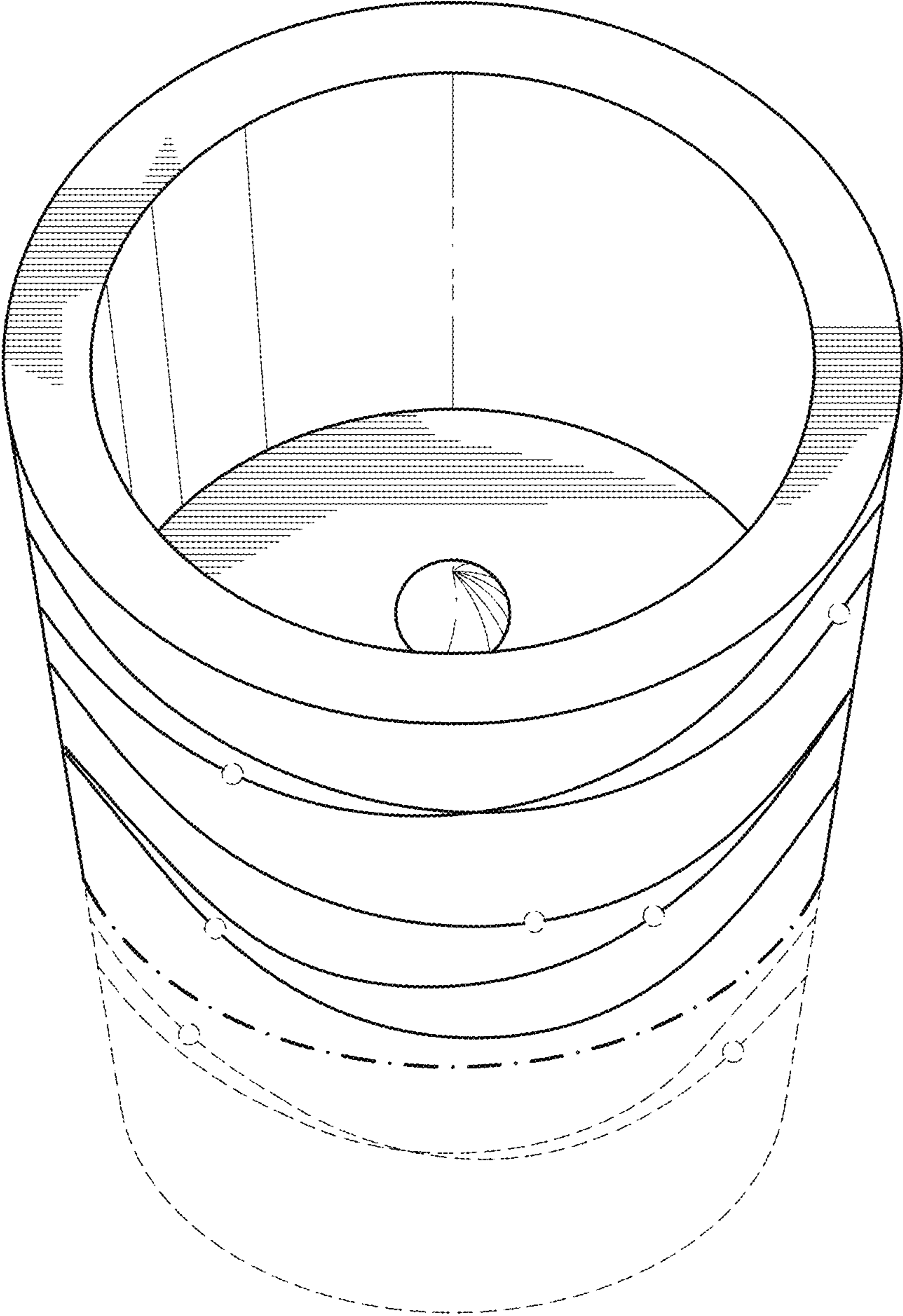


FIG. 2

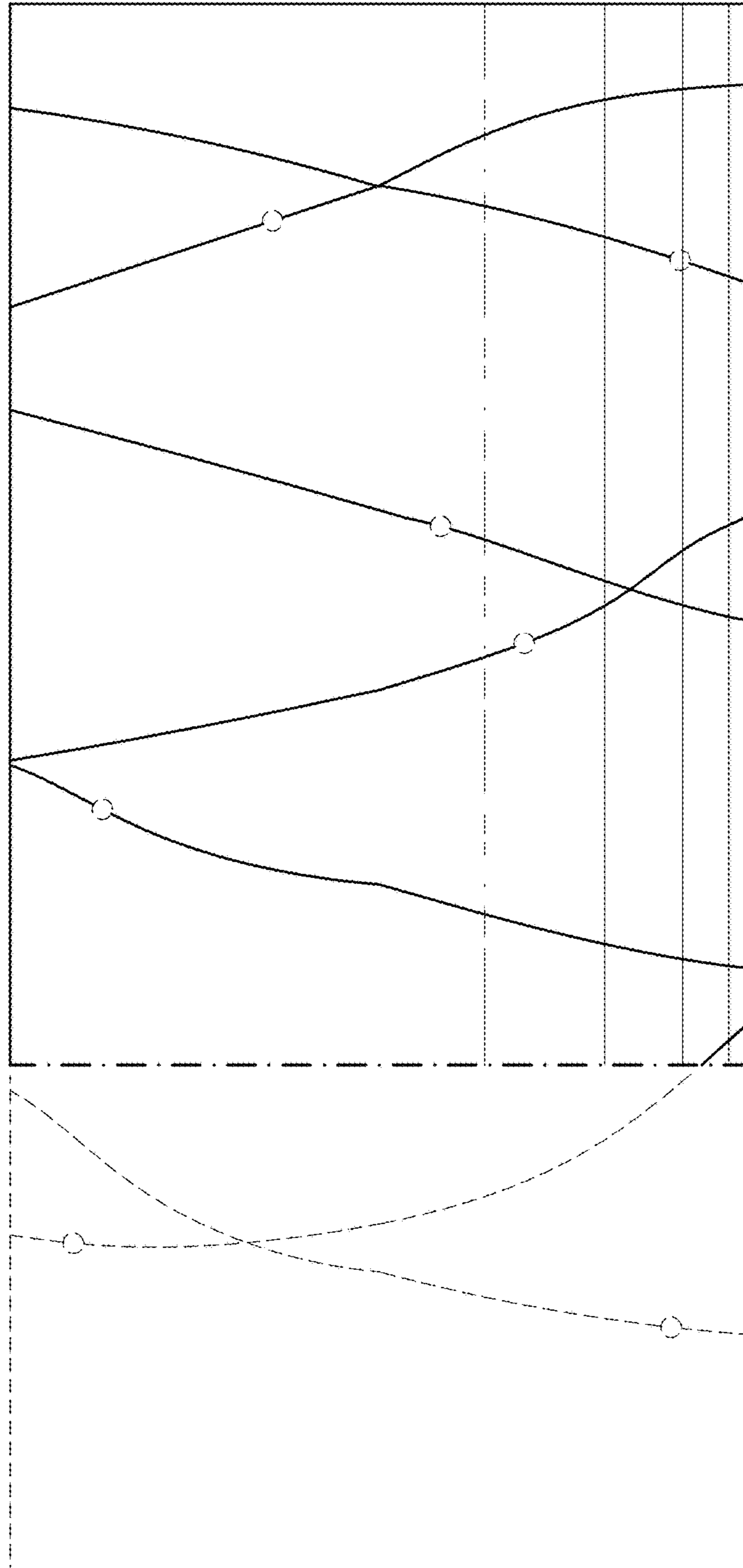


FIG. 3

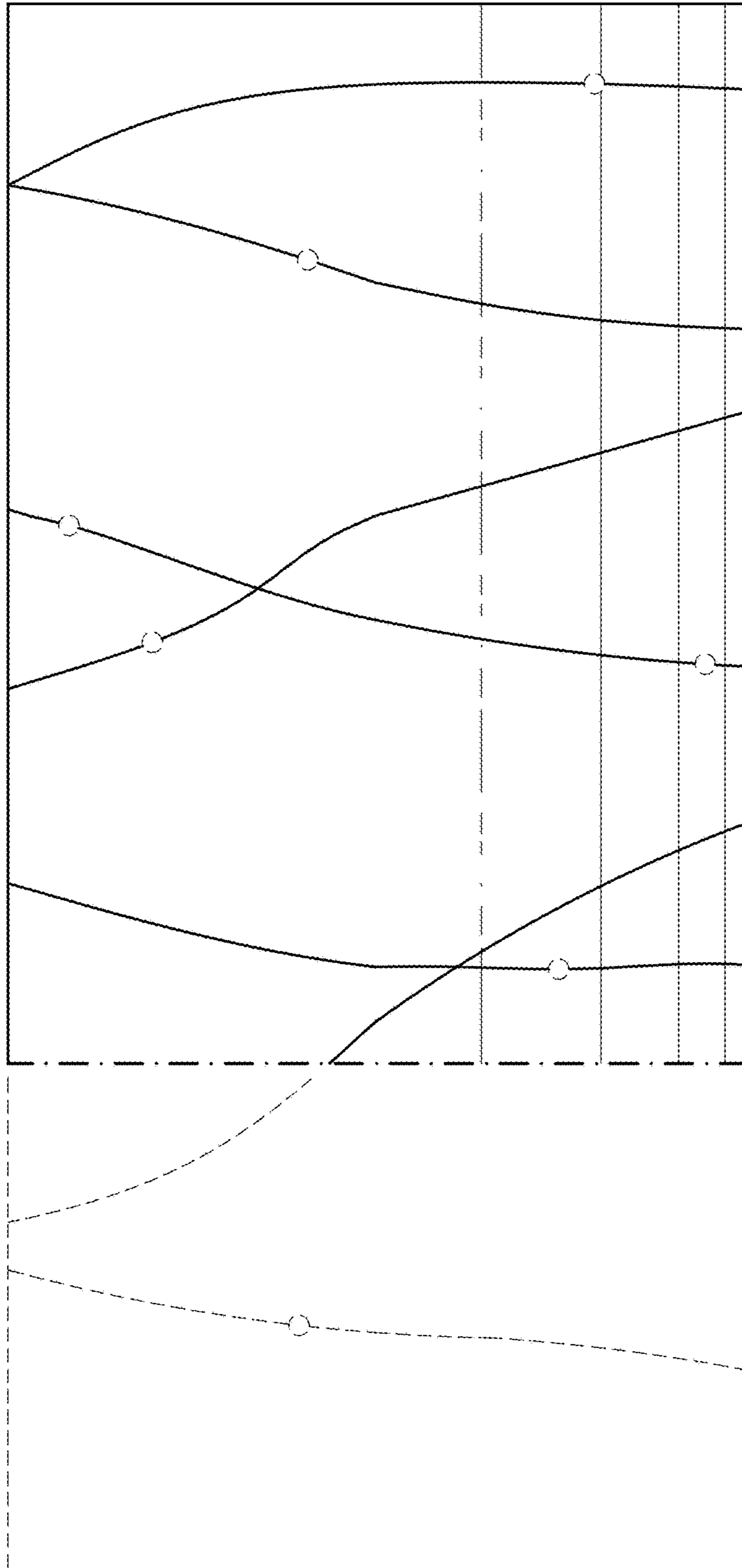


FIG. 4

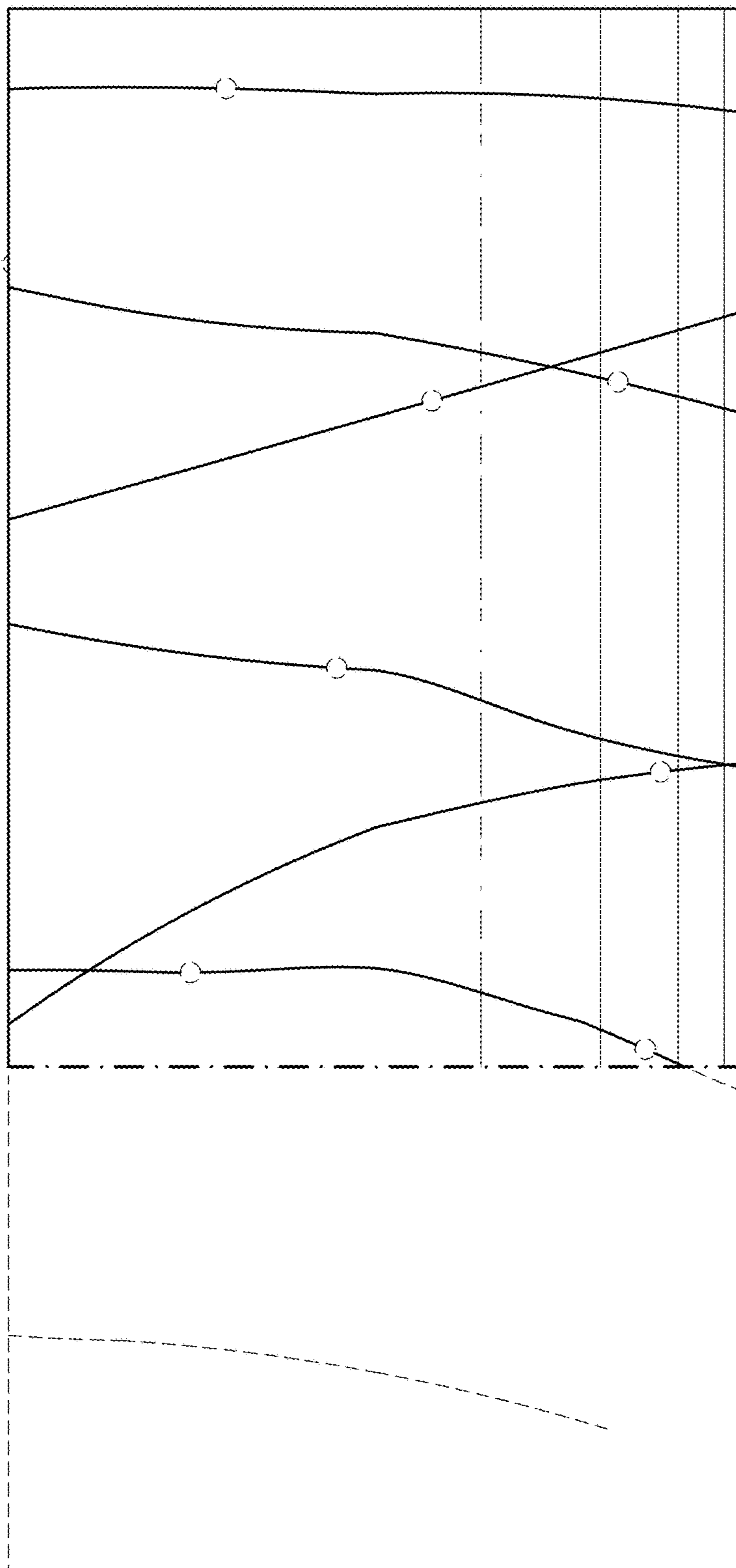


FIG. 5

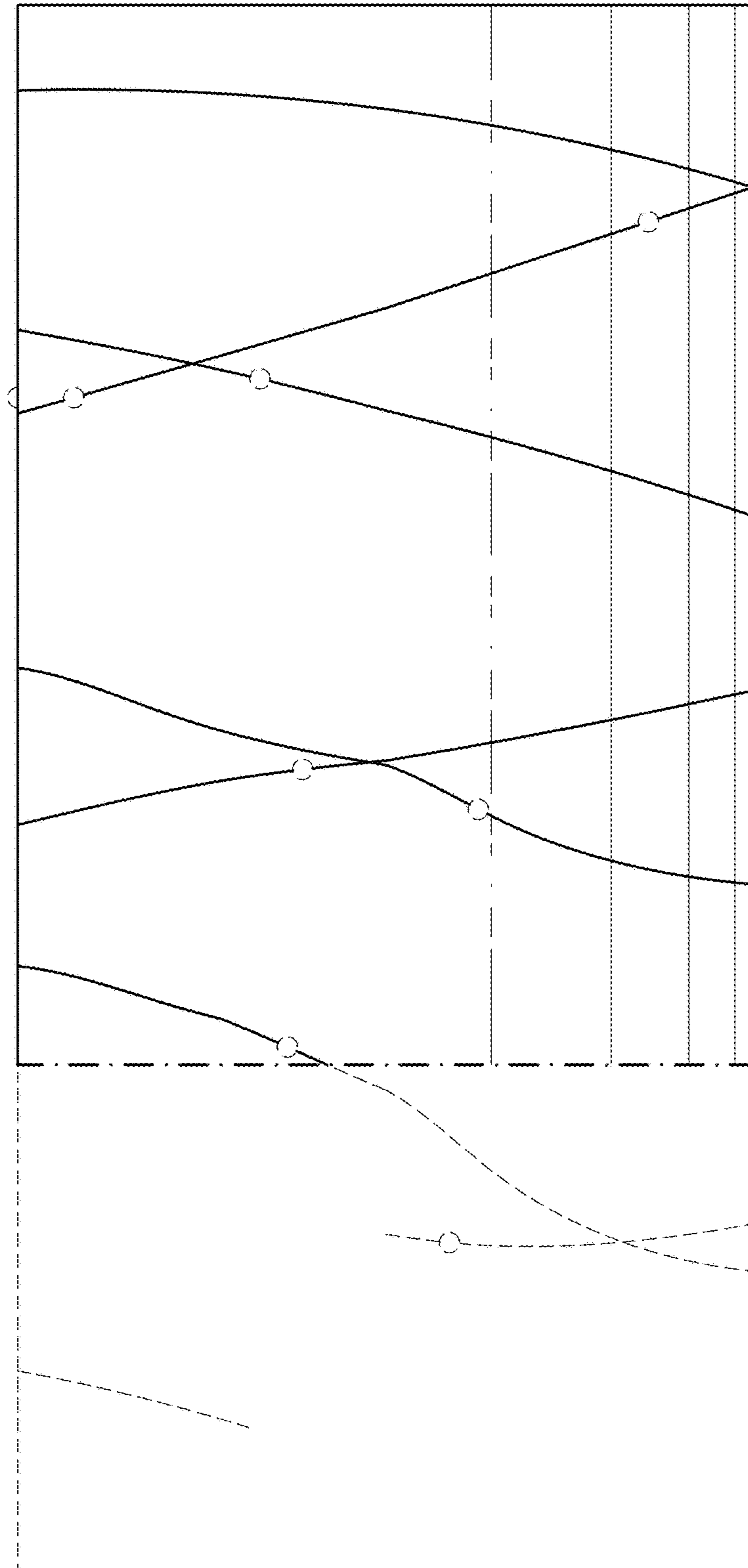


FIG. 6

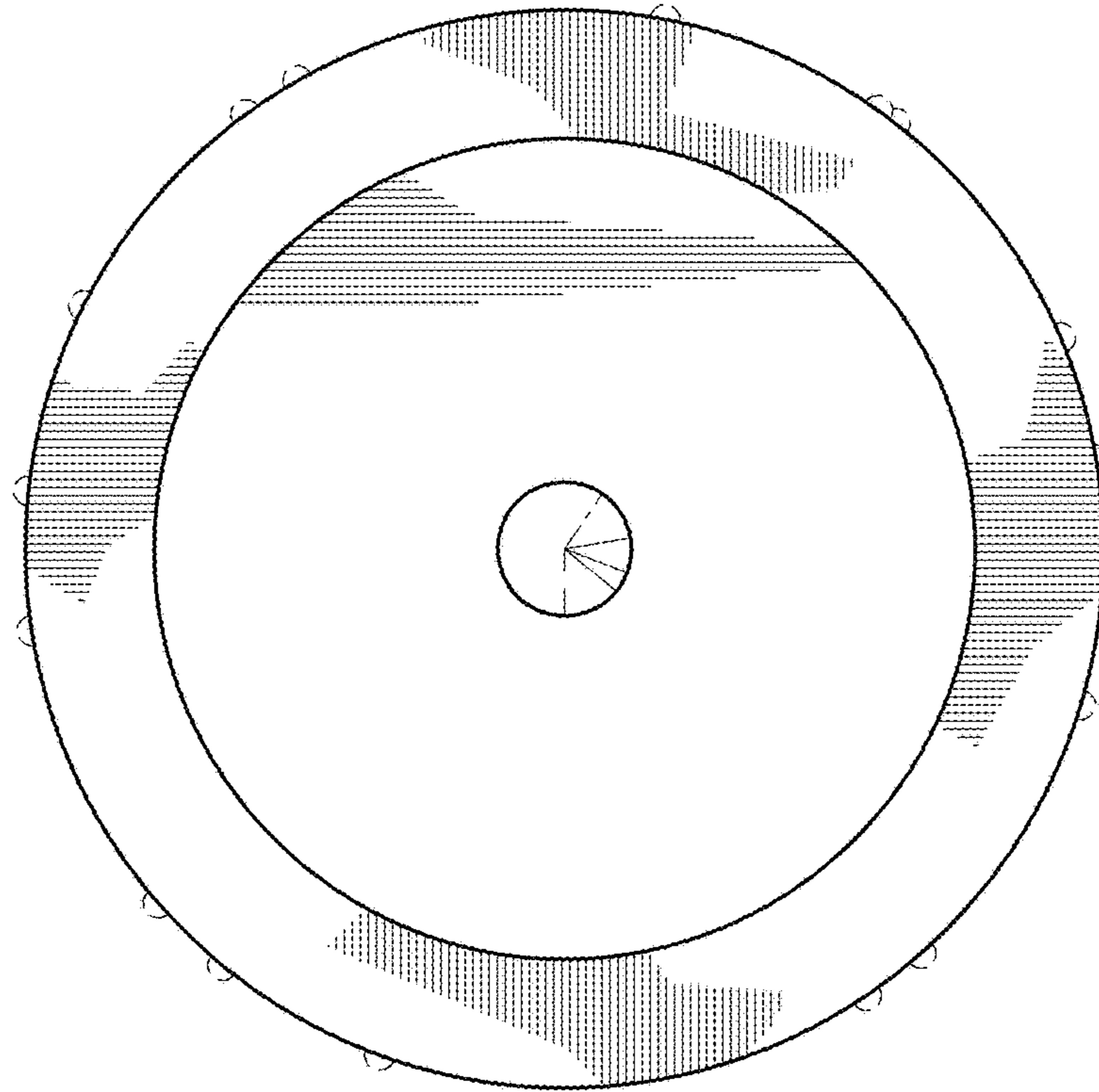


FIG. 7

