



US00D838401S

(12) **United States Design Patent** (10) **Patent No.:** **US D838,401 S**
Joyeux (45) **Date of Patent:** **** Jan. 15, 2019**

(54) **OUTDOOR LIGHTING FIXTURE**

(56) **References Cited**

(71) Applicant: **ECLAIRAGE ROGER PRADIER**,
Saint Maur (FR)

(72) Inventor: **Stéphane Joyeux**, Saint Maur sur Indre
(FR)

(**) Term: **15 Years**

U.S. PATENT DOCUMENTS

D417,926 S *	12/1999	Meck	D26/87
D461,578 S *	8/2002	Cheong	D26/67
D499,503 S *	12/2004	Hon	D26/67
D500,570 S *	1/2005	Tsai	D26/87
D504,189 S *	4/2005	Hon	D26/67
D537,189 S *	2/2007	Zhang	D26/87

(21) Appl. No.: **35/501,925**

* cited by examiner

(22) Filed: **Oct. 25, 2016**

Primary Examiner — Zenia I Bennett

(80) **Hague Agreement Data**

(57) **CLAIM**

Int. Filing Date: **Oct. 25, 2016**
 Int. Reg. No.: **DM/093347**
 Int. Reg. Date: **Oct. 25, 2016**
 Int. Reg. Pub. Date: **Nov. 18, 2016**

The ornamental design for an outdoor lighting fixture, as shown and described.

(51) **LOC (11) Cl.** **26-03**

(52) **U.S. Cl.**
USPC **D26/85**

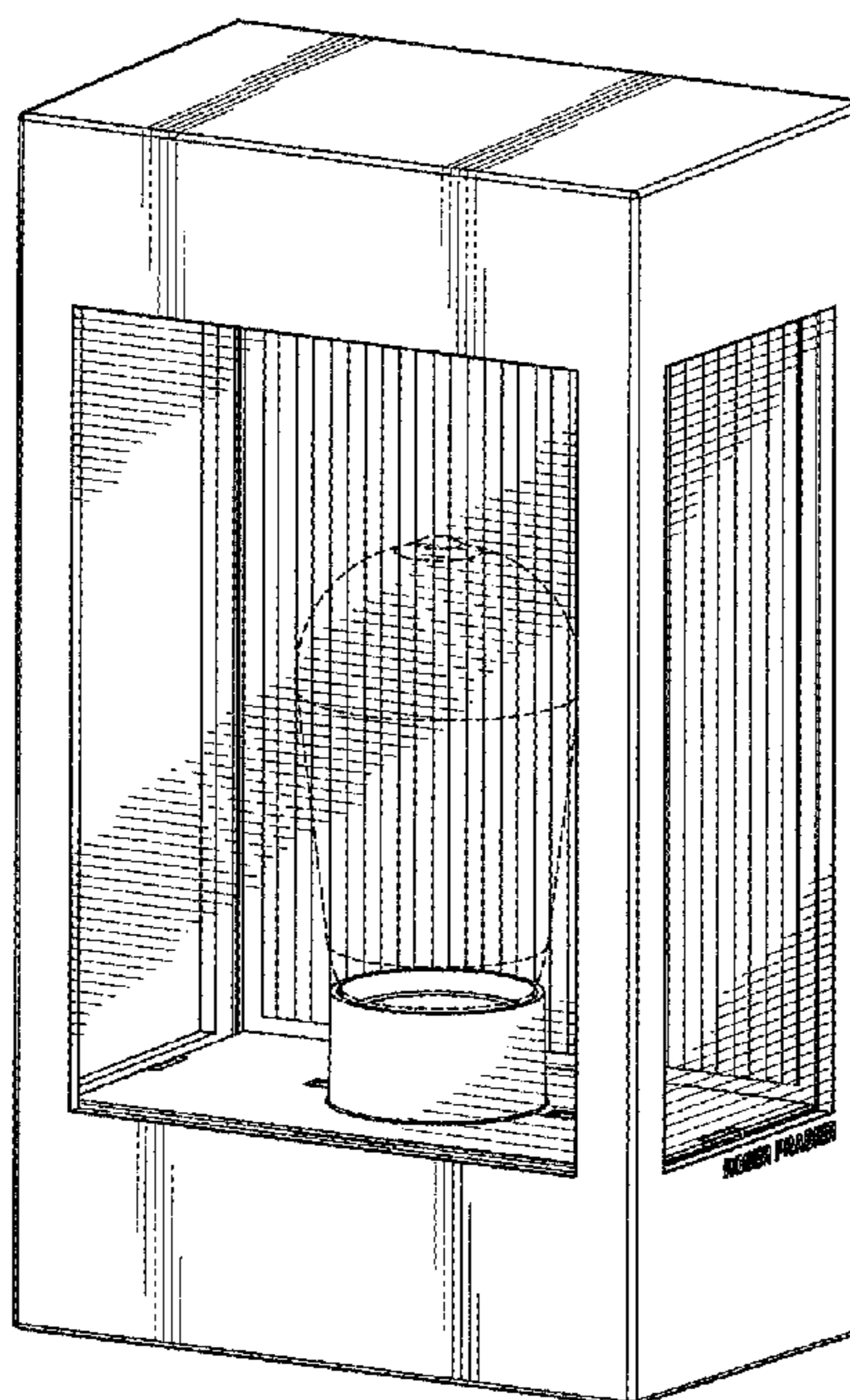
(58) **Field of Classification Search**
 USPC D26/68, 72, 76, 85, 87, 118
 CPC F21S 8/04; F21S 8/026; F21S 8/033; F21S
 8/036; F21S 8/03; F21S 8/043; F21S
 8/046; F21S 8/06; F21S 8/061; F21S
 8/063; F21S 8/068; F21S 13/02

DESCRIPTION

- 1. Outdoor lighting fixture
- 1.1 : Perspective
- 1.2 : Right
- 1.3 : Left
- 1.4 : Front
- 1.5 : Back
- 1.6 : Bottom
- 1.7 : Top

See application file for complete search history.

1 Claim, 7 Drawing Sheets



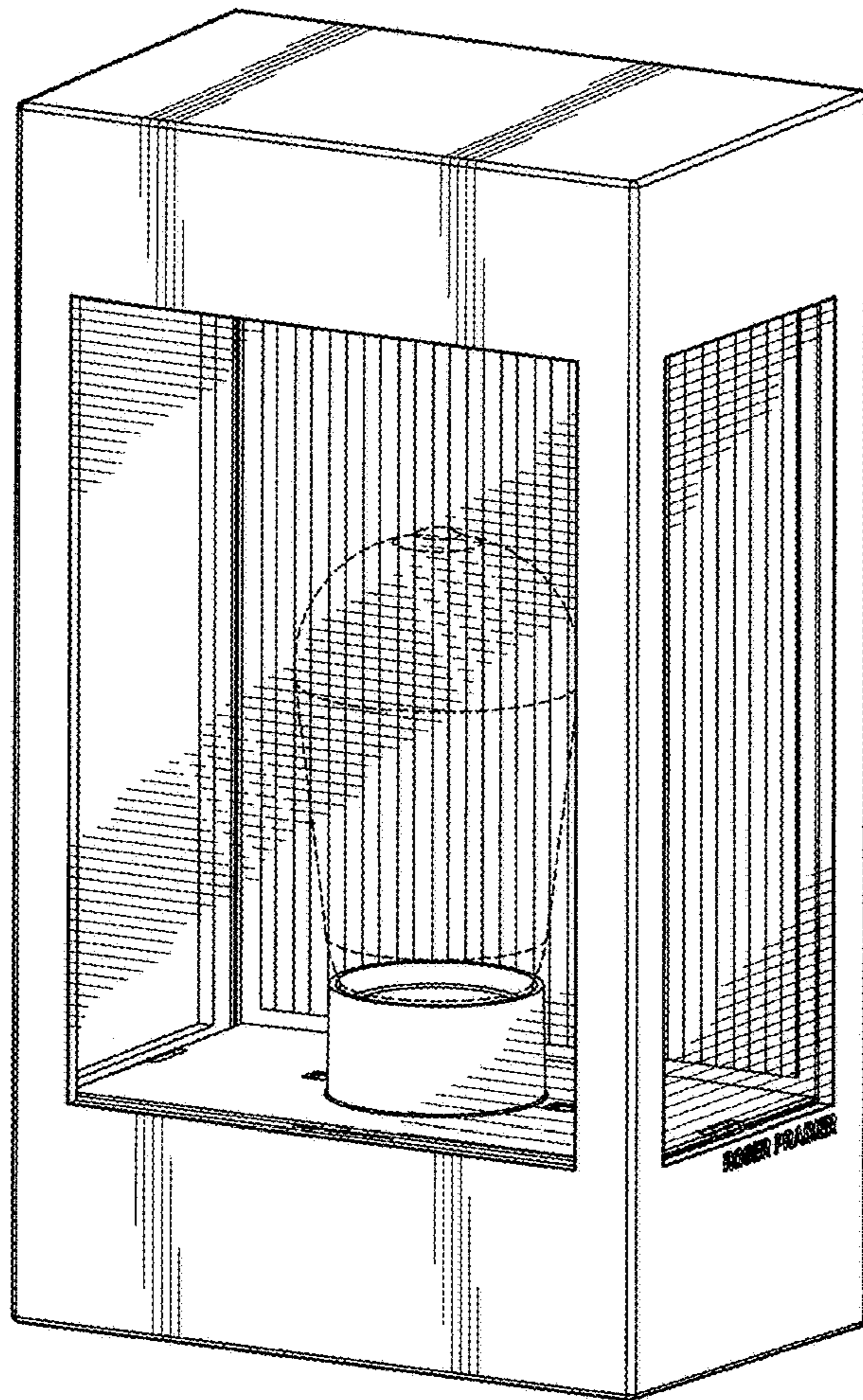


Fig. 1.1

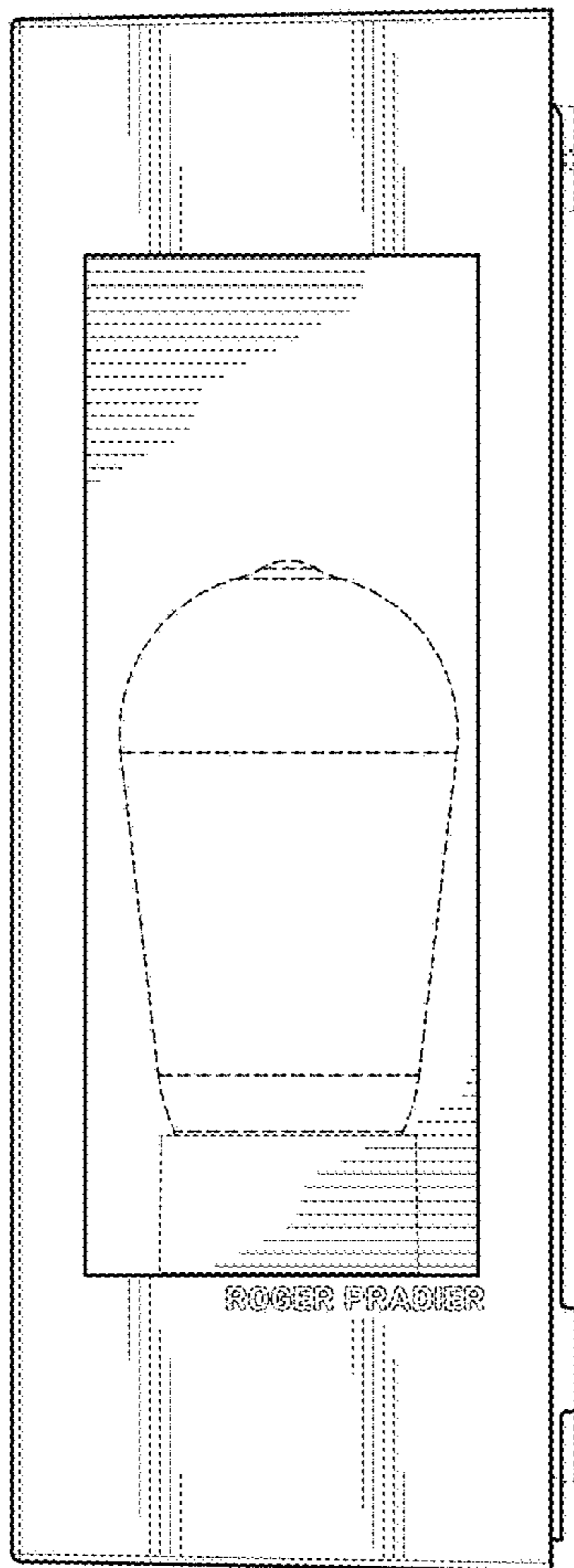


Fig. 1.2

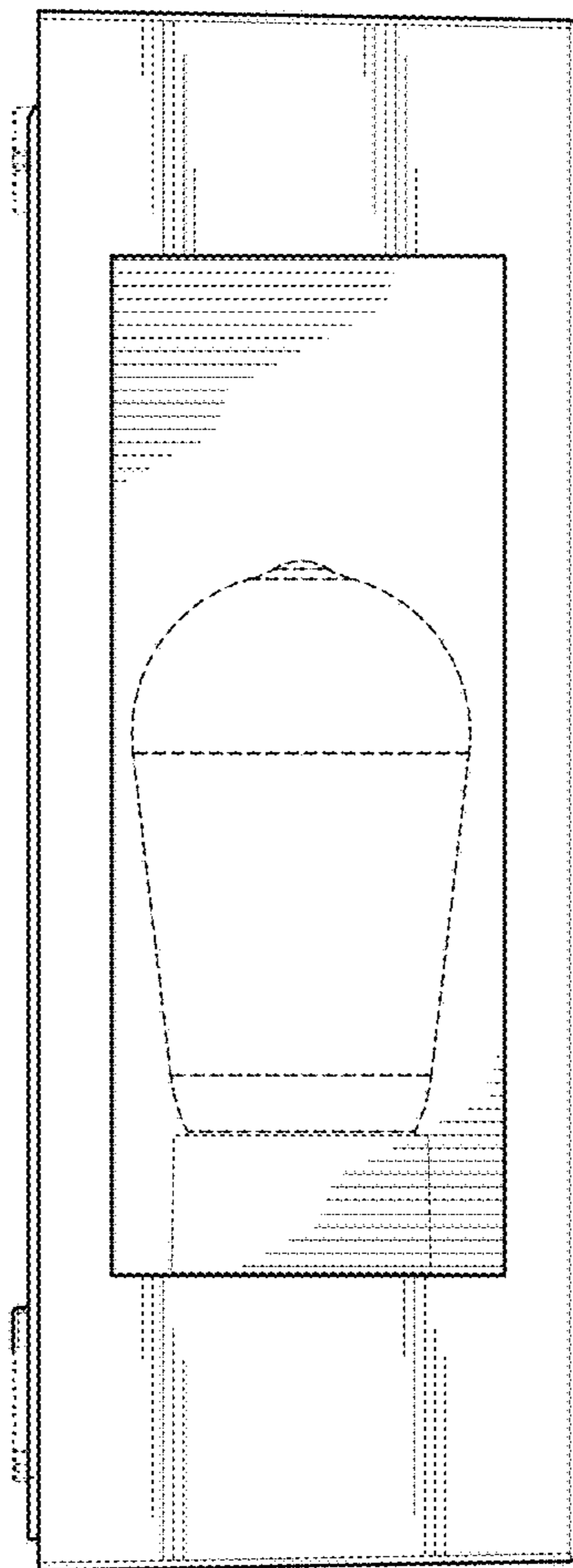


Fig. 1.3

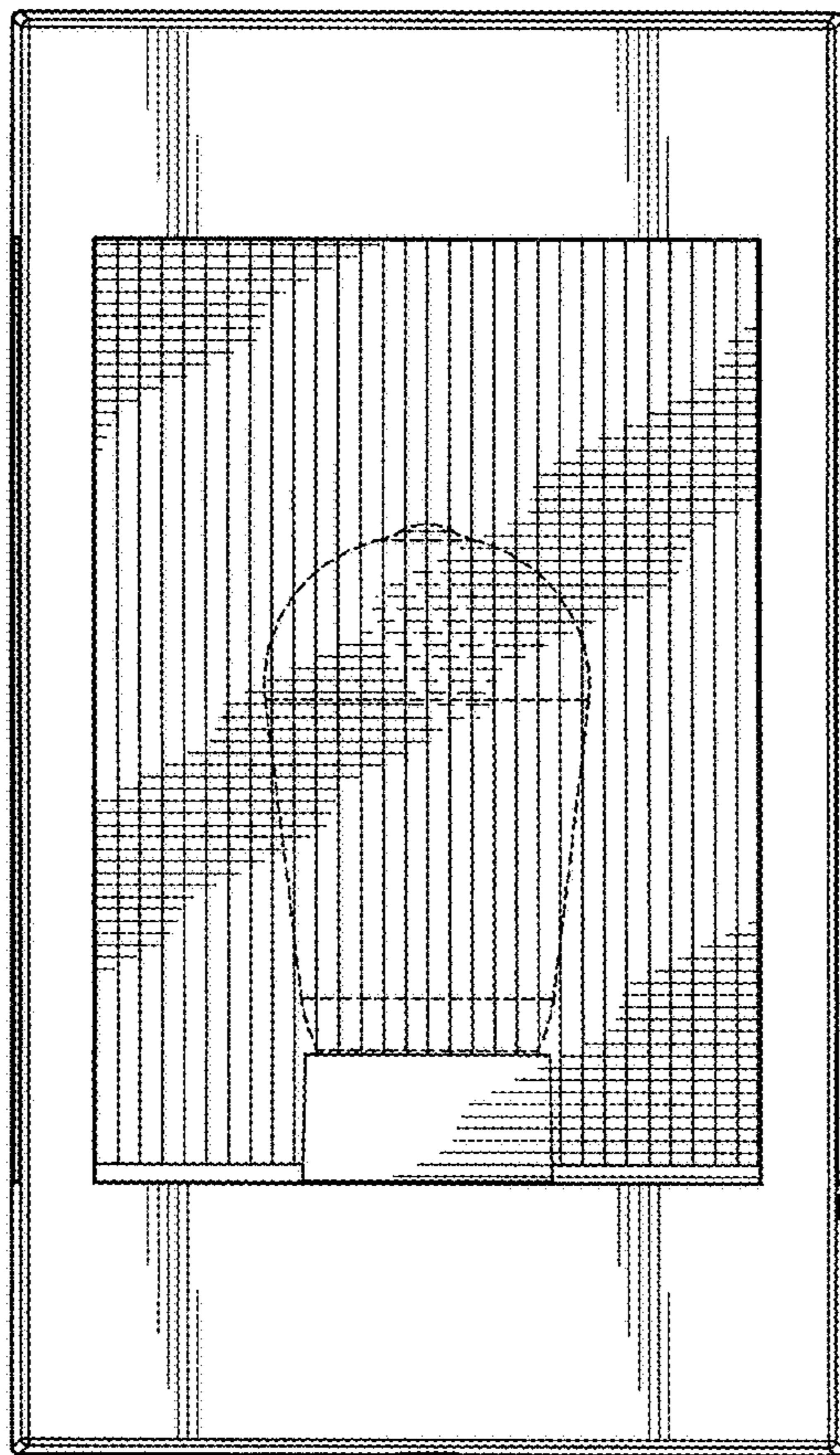


Fig. 1.4

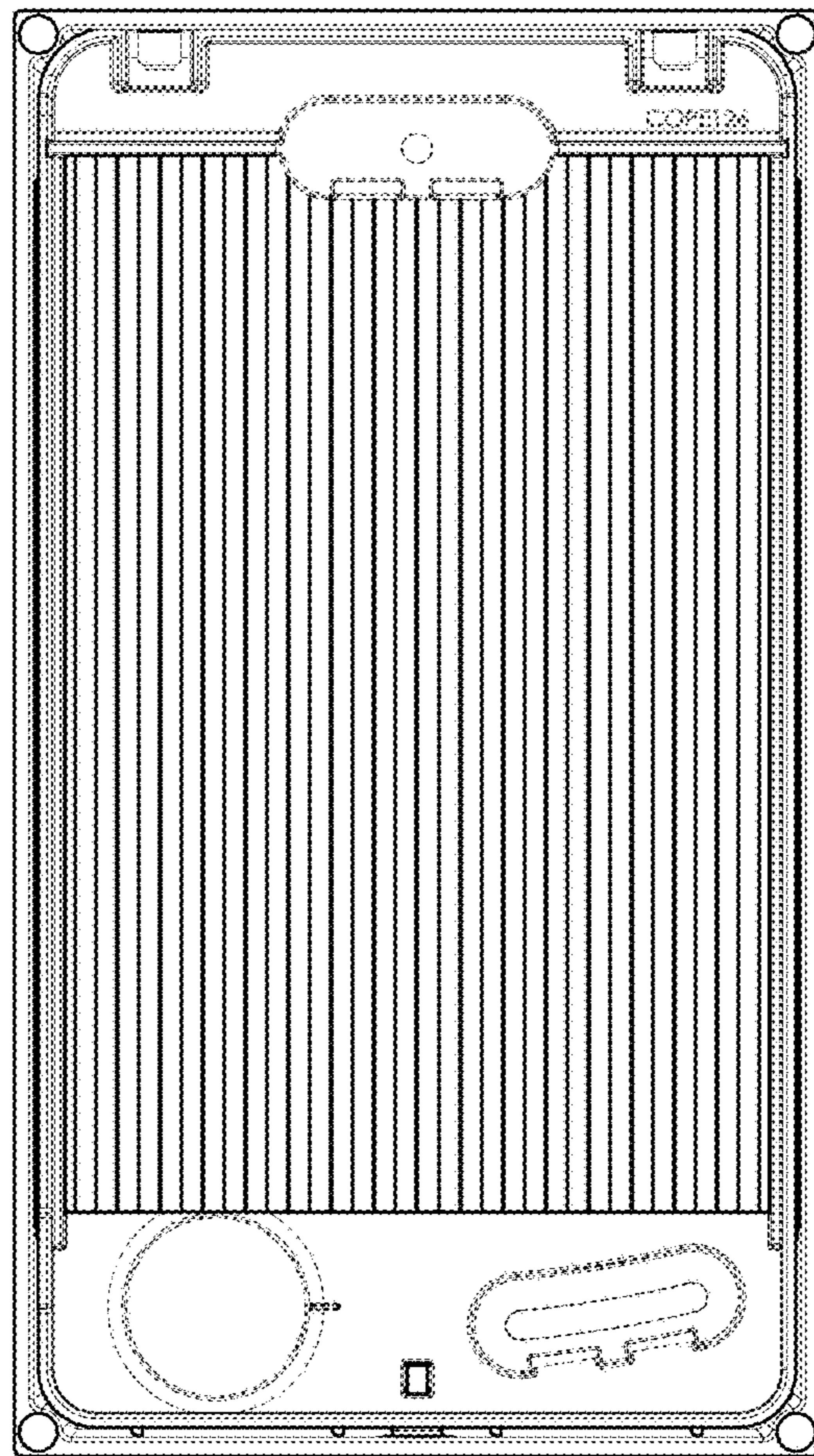


Fig. 1.5

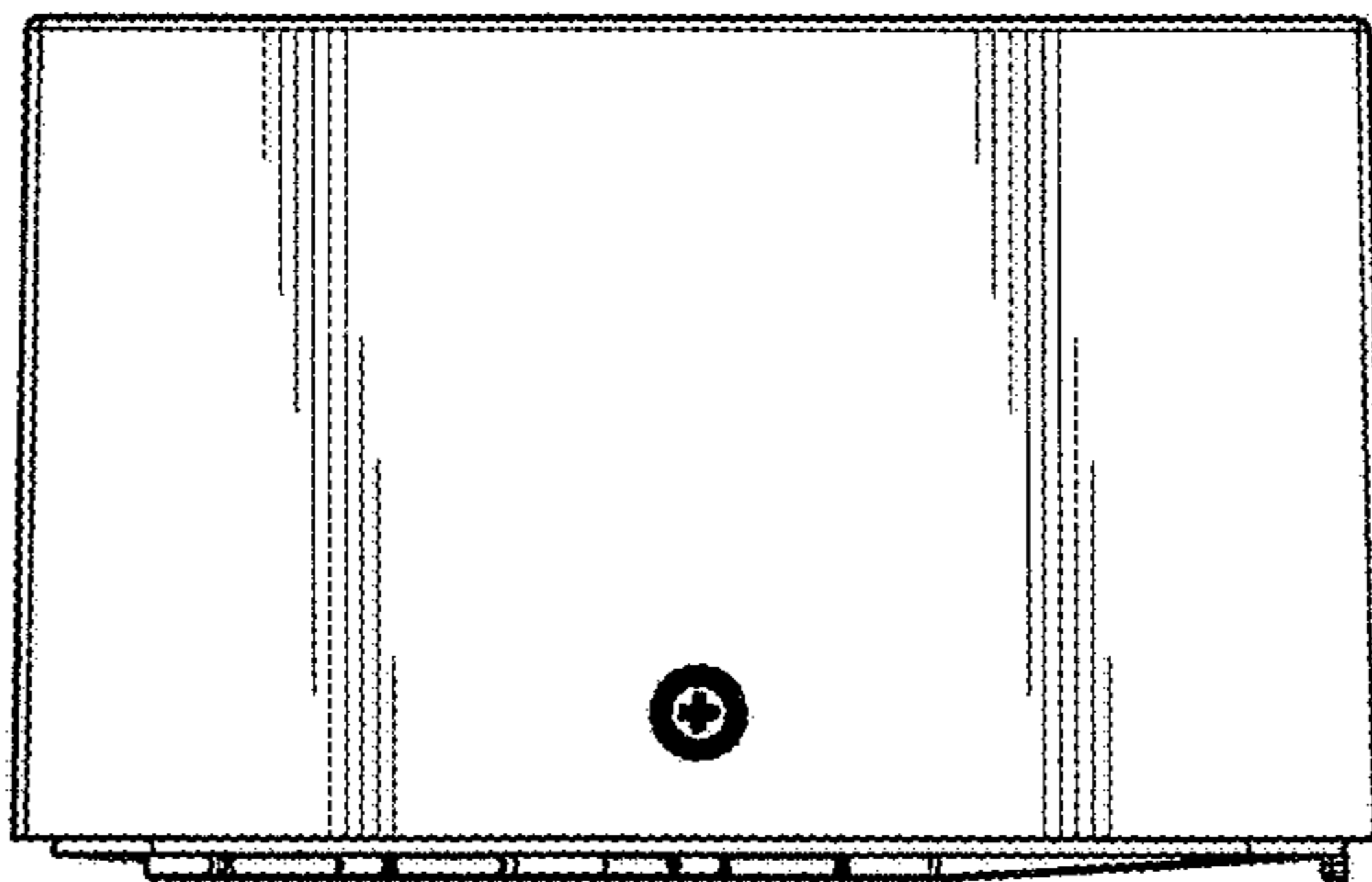


Fig. 1.6

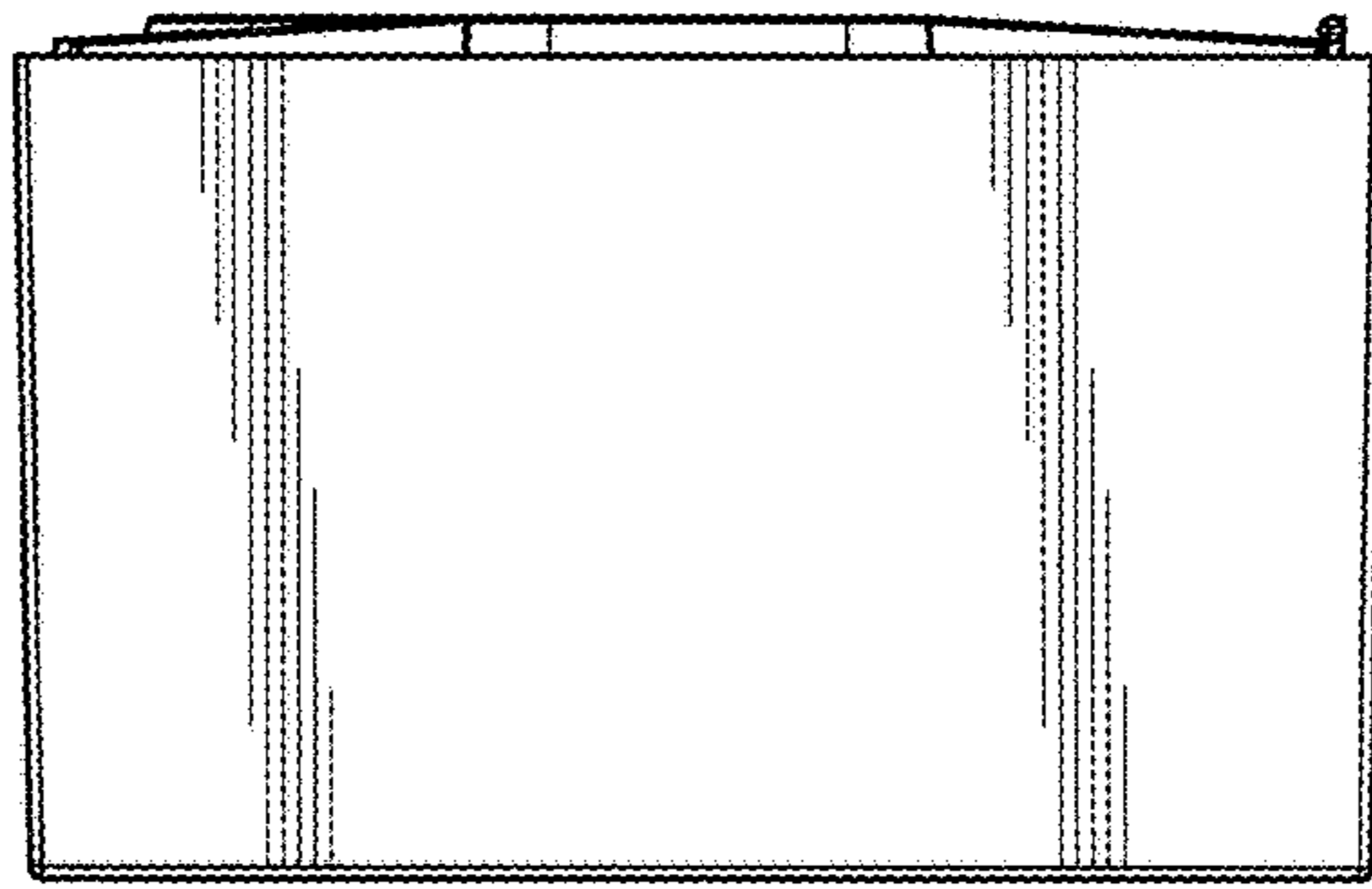


Fig. 1.7