



US00D838398S

(12) **United States Design Patent**
Joye

(10) **Patent No.:** **US D838,398 S**
(45) **Date of Patent:** **** Jan. 15, 2019**

(54) **LIGHTING FIXTURE**

(71) Applicant: **AURORALIGHT, INC.**, Carlsbad, CA (US)

(72) Inventor: **Michael Joye**, Carlsbad, CA (US)

(73) Assignee: **AURORALIGHT, INC.**, Carlsbad, CA (US)

(**) Term: **15 Years**

(21) Appl. No.: **29/612,428**

(22) Filed: **Aug. 1, 2017**

(51) **LOC (11) Cl.** **26-03**

(52) **U.S. Cl.**
USPC **D26/63**

(58) **Field of Classification Search**
USPC D26/1, 24, 61, 63, 65, 85, 92
(Continued)

(56) **References Cited**

U.S. PATENT DOCUMENTS

D414,579 S * 9/1999 Denison D26/63
D618,374 S * 6/2010 Guercio D26/63
(Continued)

Primary Examiner — Brian N. Vinson

(74) *Attorney, Agent, or Firm* — Cermak Nakajima & McGowan LLP; Adam J. Cermak

(57) **CLAIM**

The ornamental design for a lighting fixture, as shown and described.

DESCRIPTION

FIG. 1 is a top, right, front perspective view of a first embodiment of a lighting fixture showing my new design; FIG. 2 is a bottom, left, rear perspective view of the lighting fixture shown in FIG. 1;

FIG. 3 is a front elevational view of the lighting fixture shown in FIG. 1;

FIG. 4 is a rear elevational view of the lighting fixture shown in FIG. 1;

FIG. 5 is a right side elevational view of the lighting fixture shown in FIG. 1;

FIG. 6 is a left side elevational view of the lighting fixture shown in FIG. 1;

FIG. 7 is a top plan view of the lighting fixture shown in FIG. 1;

FIG. 8 is a bottom plan view of the lighting fixture shown in FIG. 1;

FIG. 9 is a top, right, front perspective view of a second embodiment of lighting fixture showing my new design;

FIG. 10 is a bottom, left, rear perspective view of the lighting fixture shown in FIG. 9;

FIG. 11 is a front elevational view of the lighting fixture shown in FIG. 9;

FIG. 12 is a rear elevational view of the lighting fixture shown in FIG. 9;

FIG. 13 is a right side elevational view of the lighting fixture shown in FIG. 9;

FIG. 14 is a left side elevational view of the lighting fixture shown in FIG. 9;

FIG. 15 is a top plan view of the lighting fixture shown in FIG. 9;

FIG. 16 is a bottom plan view of the lighting fixture shown in FIG. 9;

FIG. 17 is a top, right, front perspective view of a third embodiment of a lighting fixture showing my new design;

FIG. 18 is a bottom, left, rear perspective view of the lighting fixture shown in FIG. 17;

FIG. 19 is a front elevational view of the lighting fixture shown in FIG. 17;

FIG. 20 is a rear elevational view of the lighting fixture shown in FIG. 17;

FIG. 21 is a right side elevational view of the lighting fixture shown in FIG. 17;

FIG. 22 is a left side elevational view of the lighting fixture shown in FIG. 17;

FIG. 23 is a top plan view of the lighting fixture shown in FIG. 17; and,

(Continued)

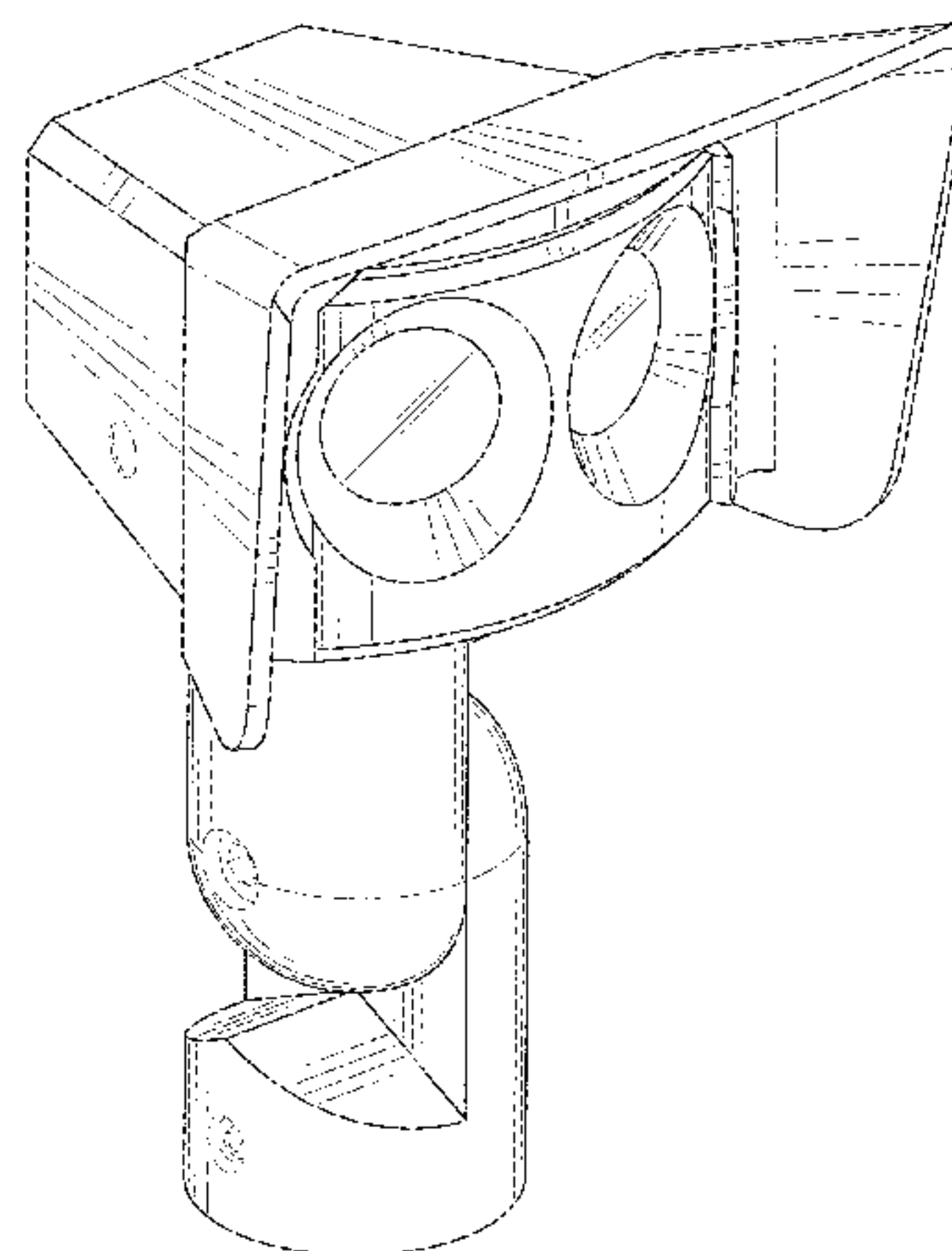
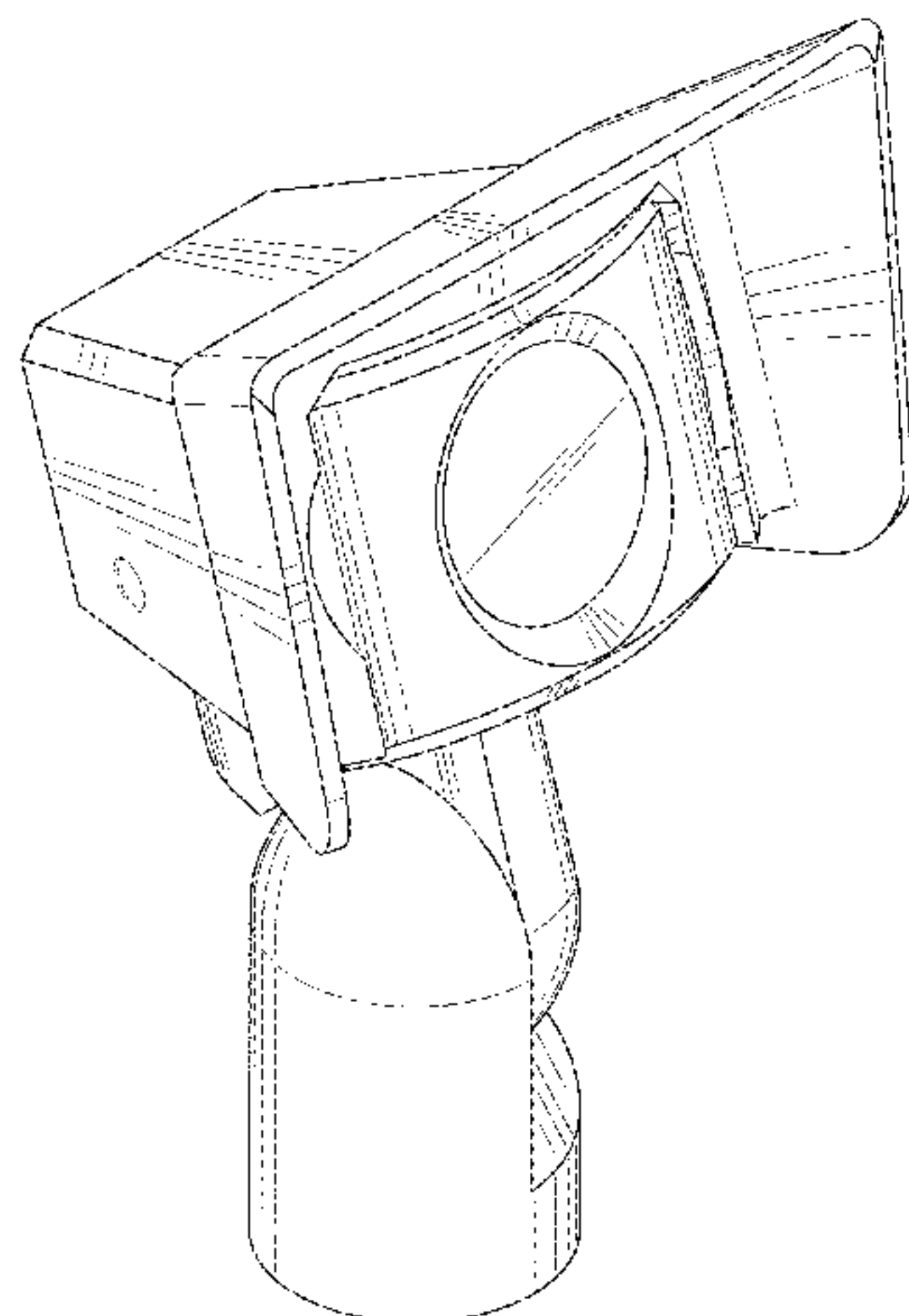


FIG. 24 is a bottom plan view of the lighting fixture shown in FIG. 17.

1 Claim, 24 Drawing Sheets

(58) Field of Classification Search

CPC F21V 21/14; F21V 15/01; F21V 14/02;
F21V 21/30; F21V 21/00; F21V 14/00;
F21S 8/00; F21S 8/003; F21S 8/043;
F21Y 2105/001

See application file for complete search history.

(56) References Cited

U.S. PATENT DOCUMENTS

D659,871	S	*	5/2012	Lee	D26/63
D680,253	S	*	4/2013	Herberholt	D26/60
D733,345	S	*	6/2015	Recker	D26/63
D784,589	S	*	4/2017	Chen	D26/65
D800,938	S	*	10/2017	Guercio	D26/63
D806,303	S	*	12/2017	Matsui	D26/65
D812,280	S	*	3/2018	Lechtenberg	D26/63
D818,171	S	*	5/2018	Brynjolfsson	D26/63

* cited by examiner

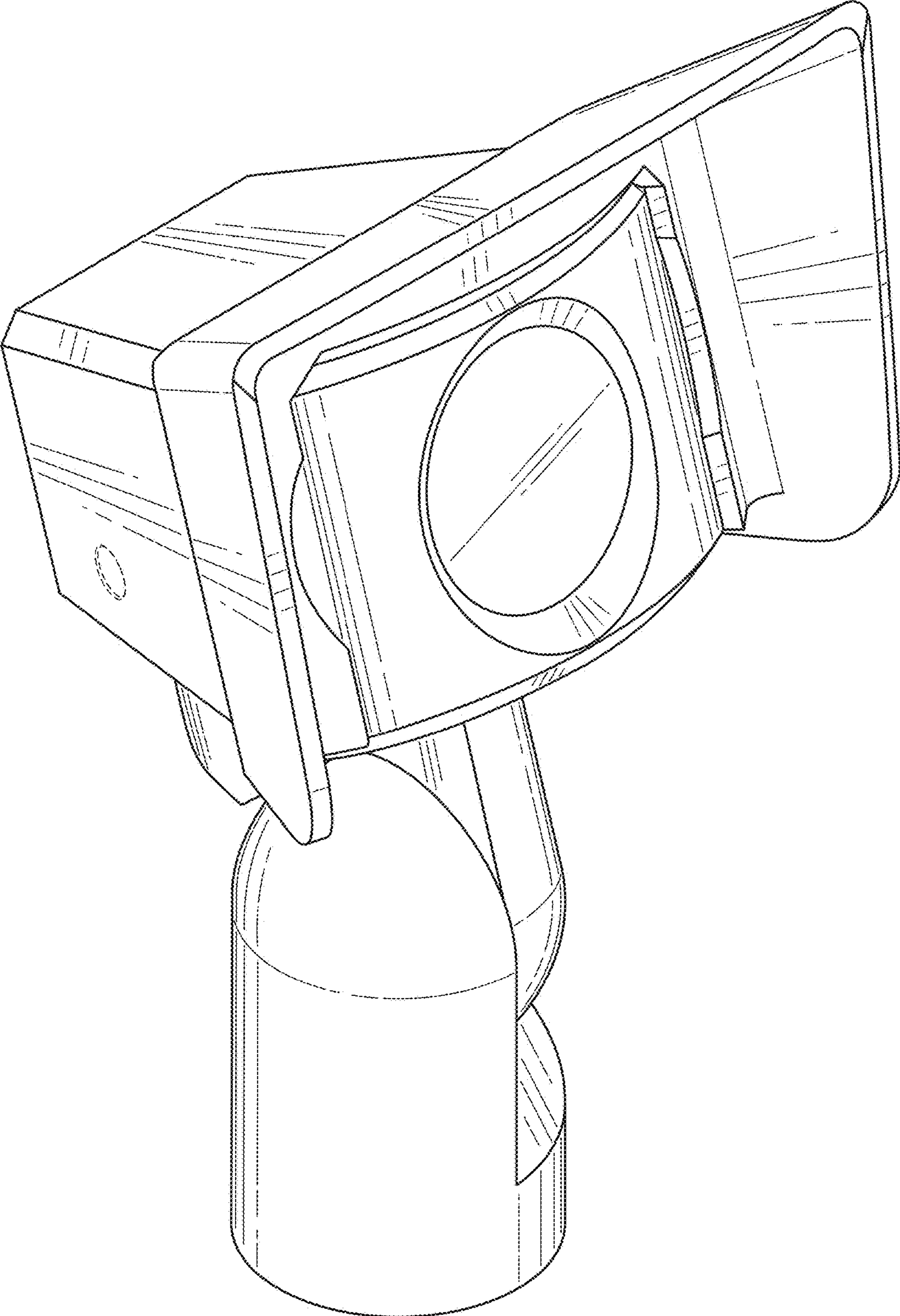


FIG. 1

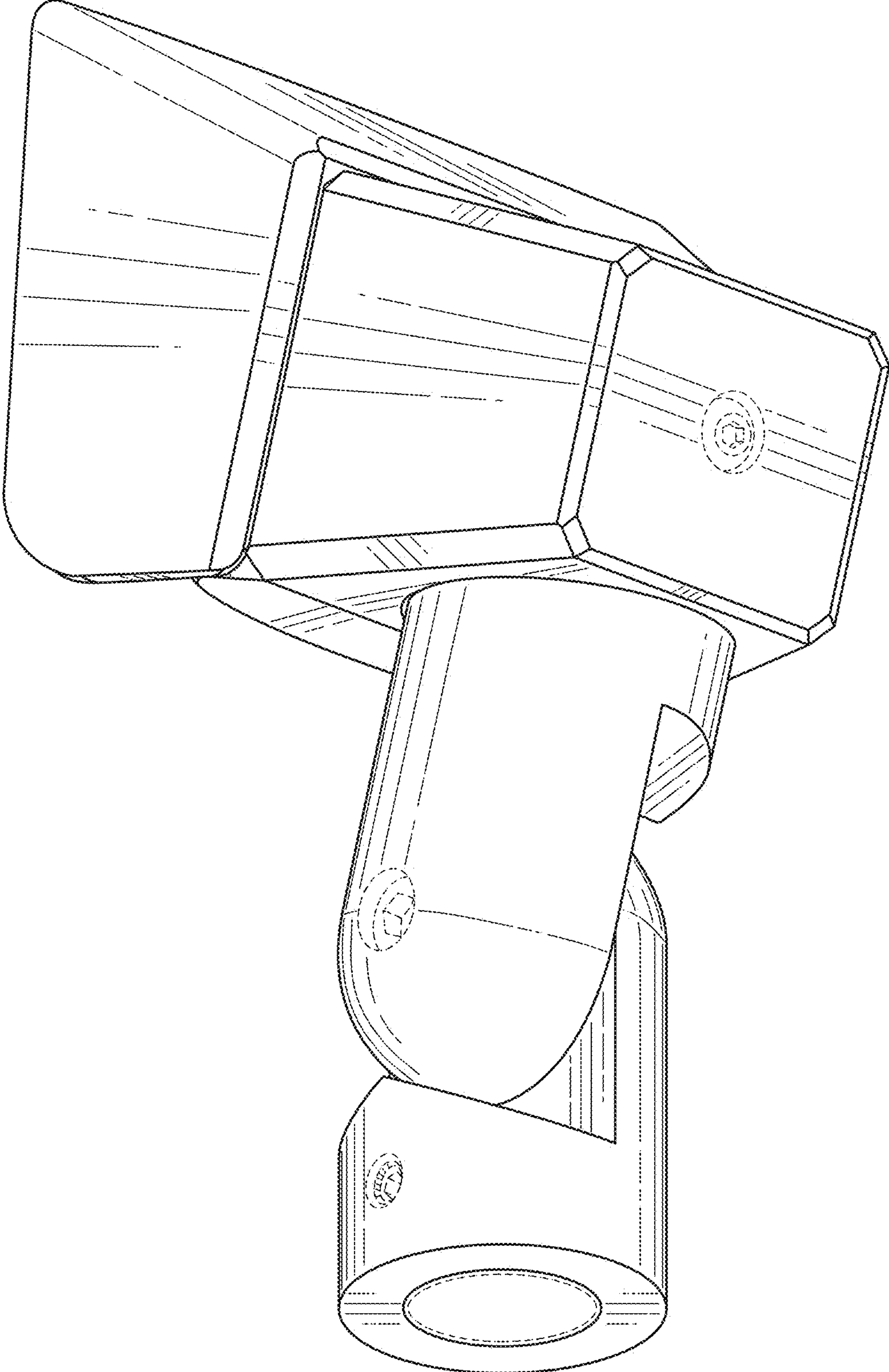


FIG. 2

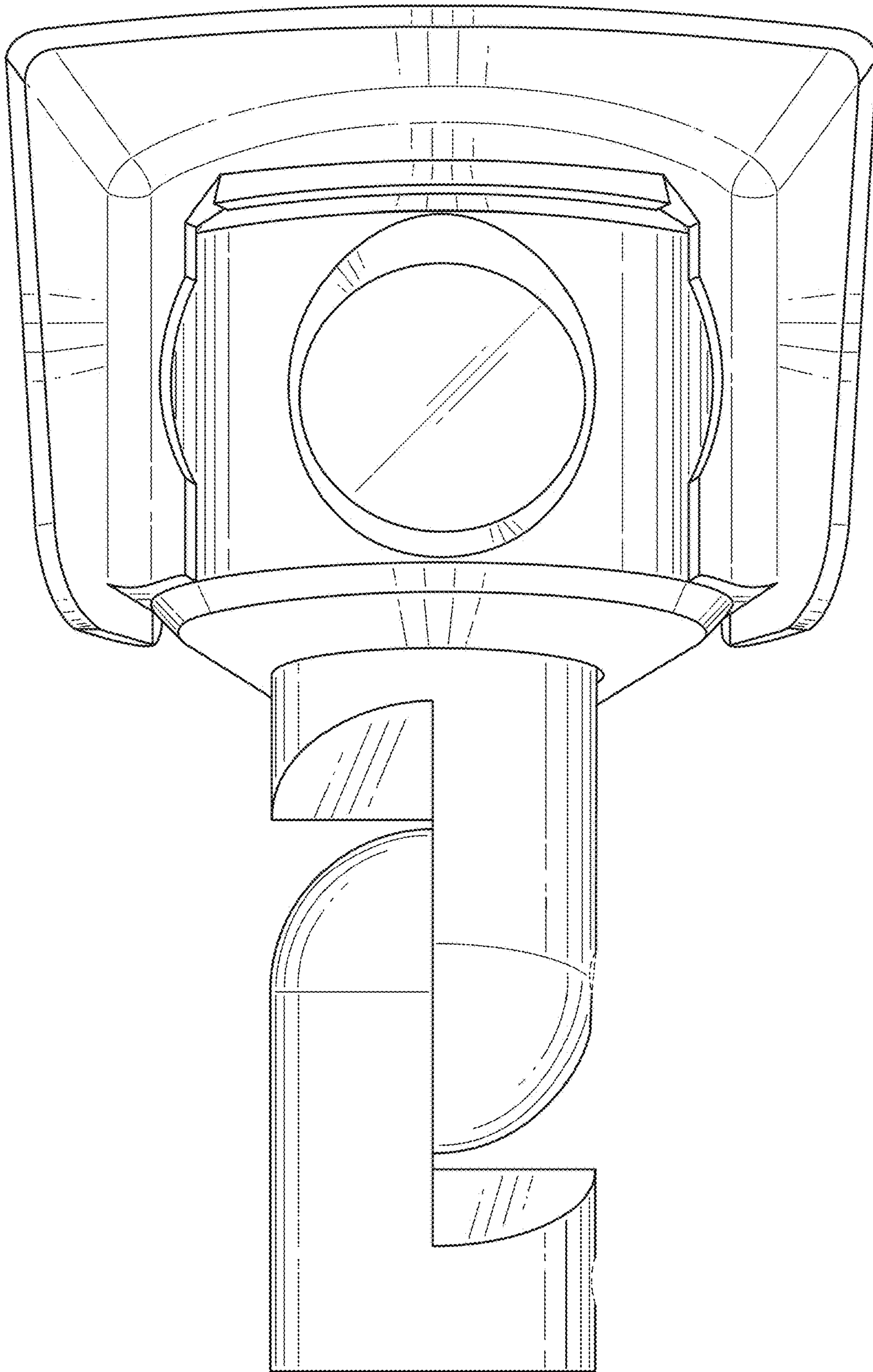


FIG. 3

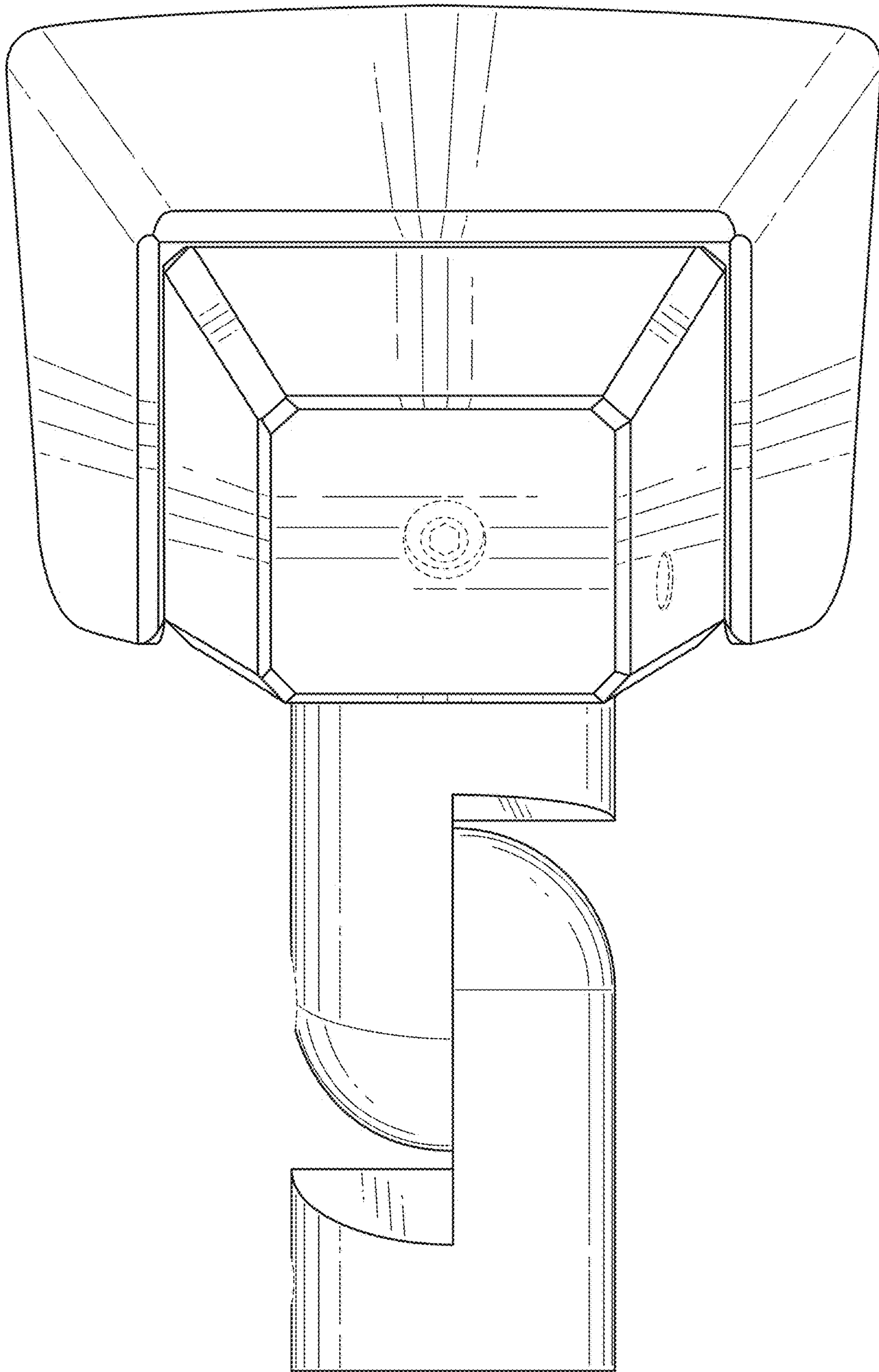


FIG. 4

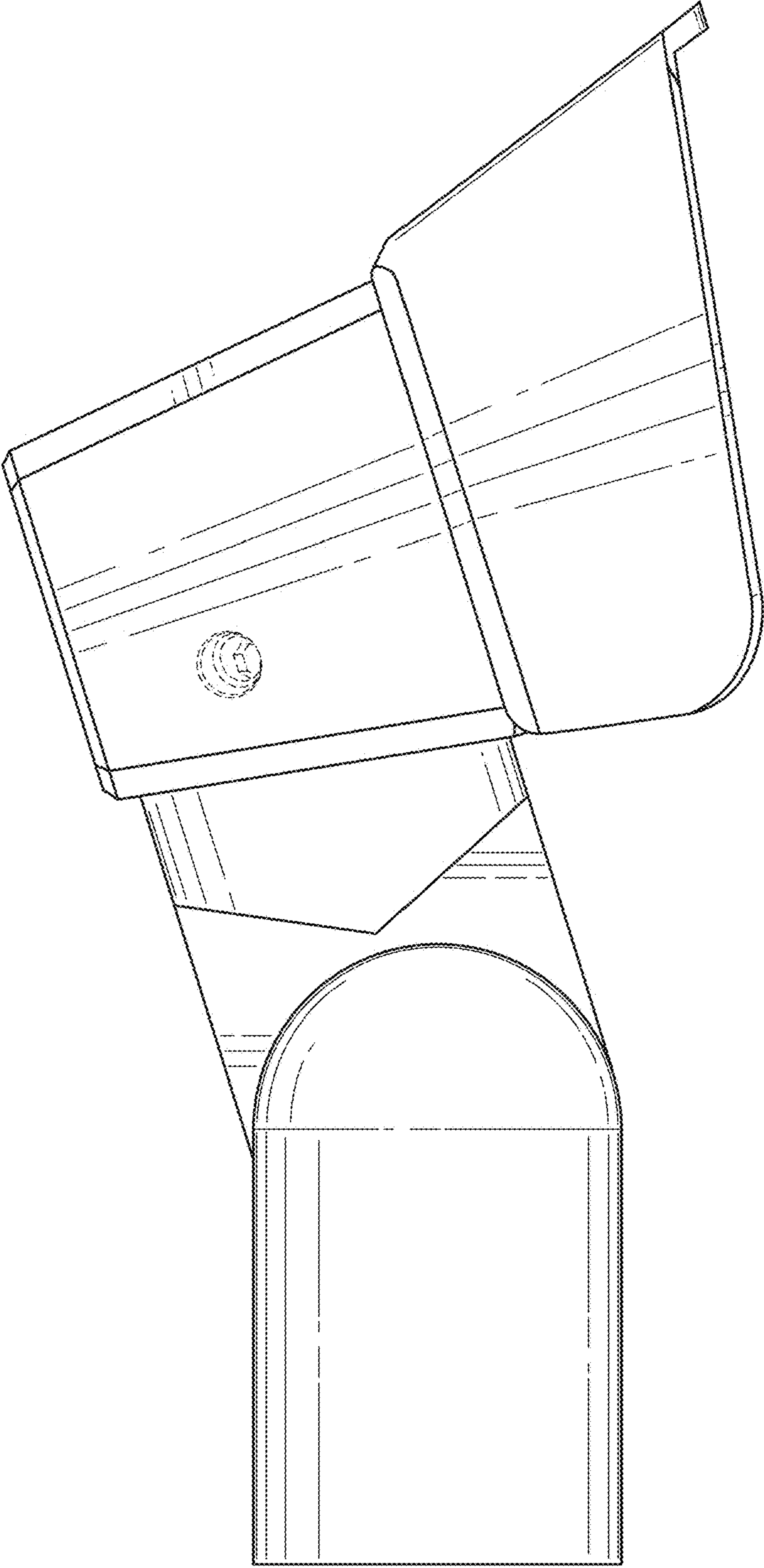


FIG. 5

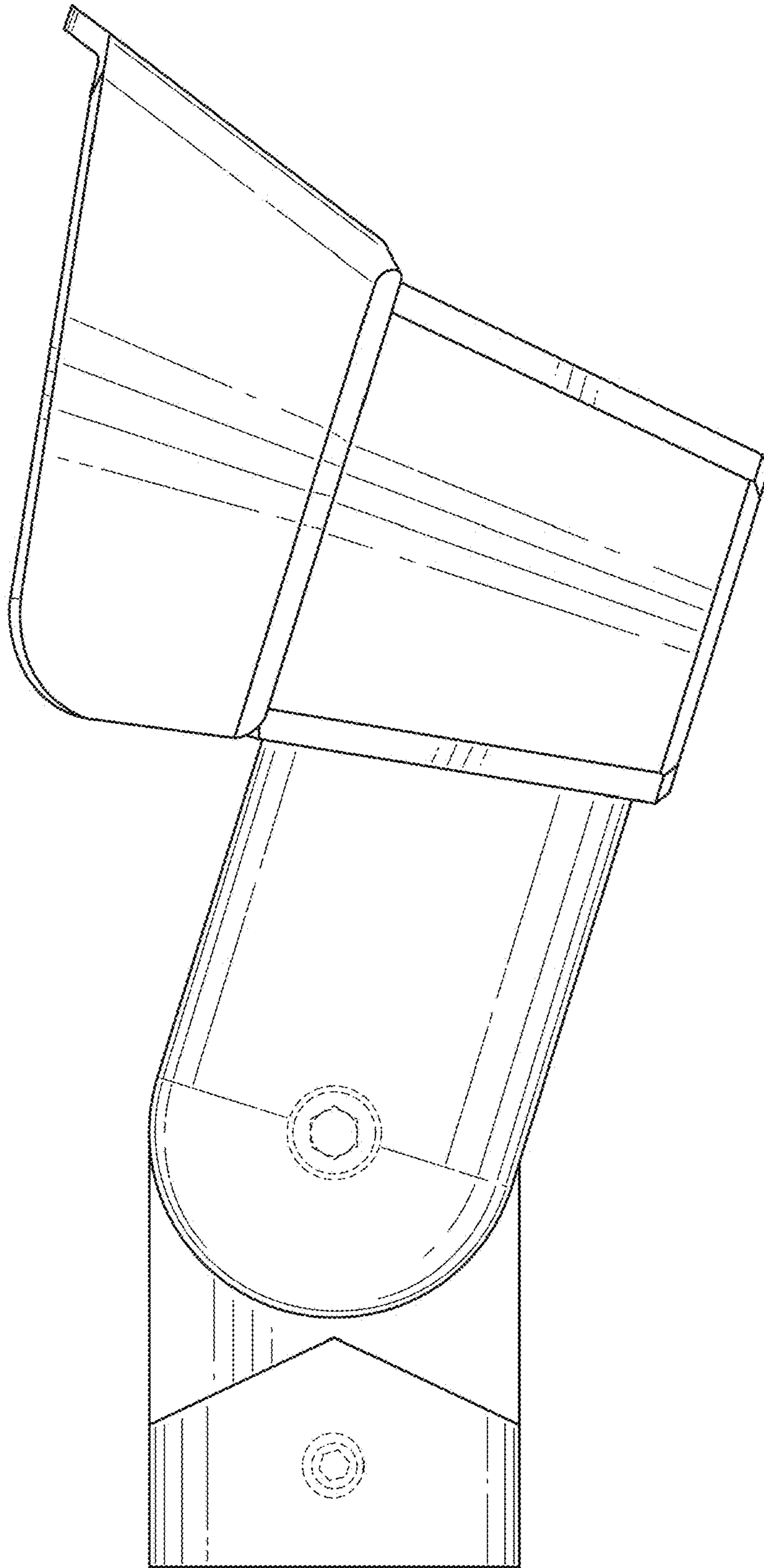


FIG. 6

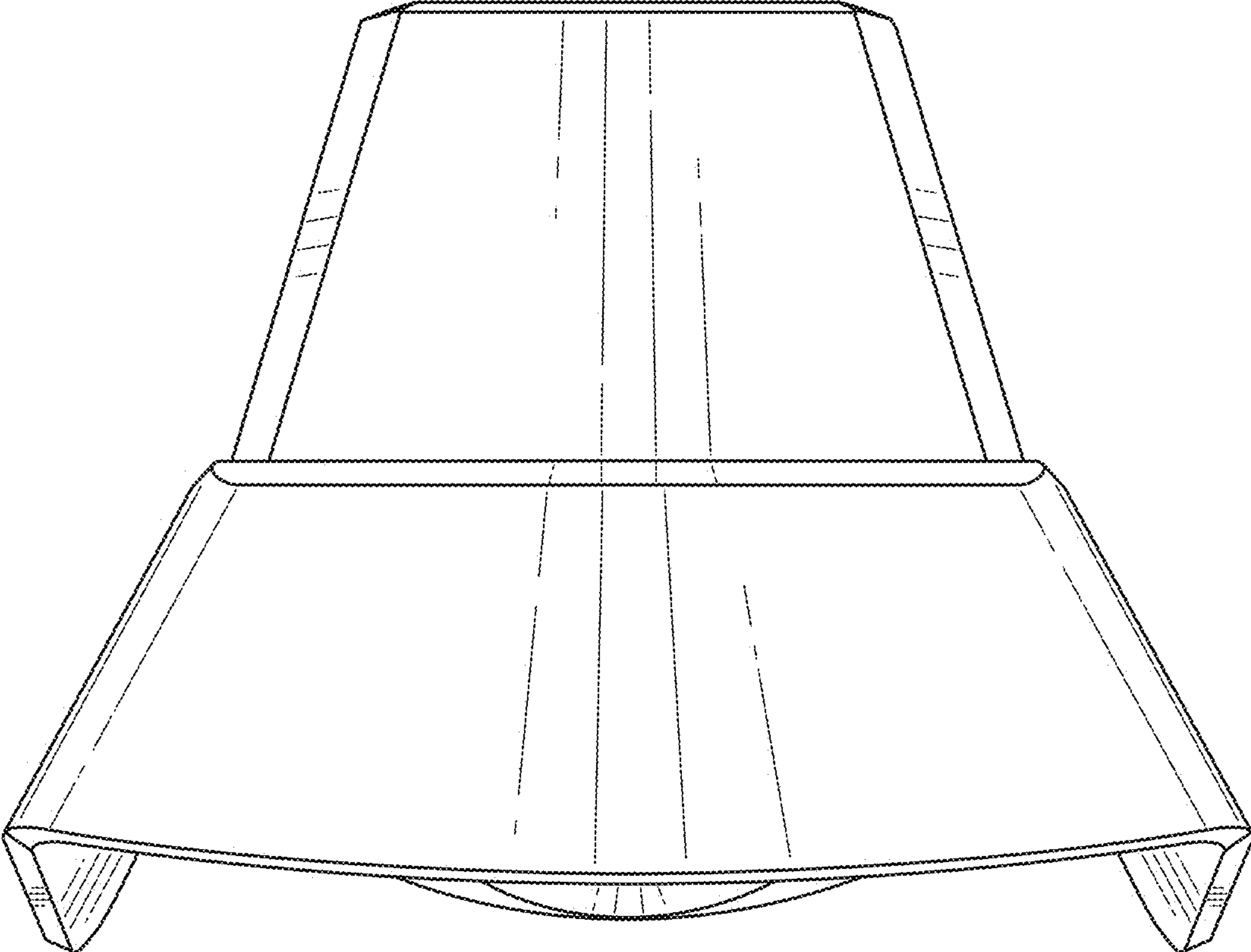


FIG. 7

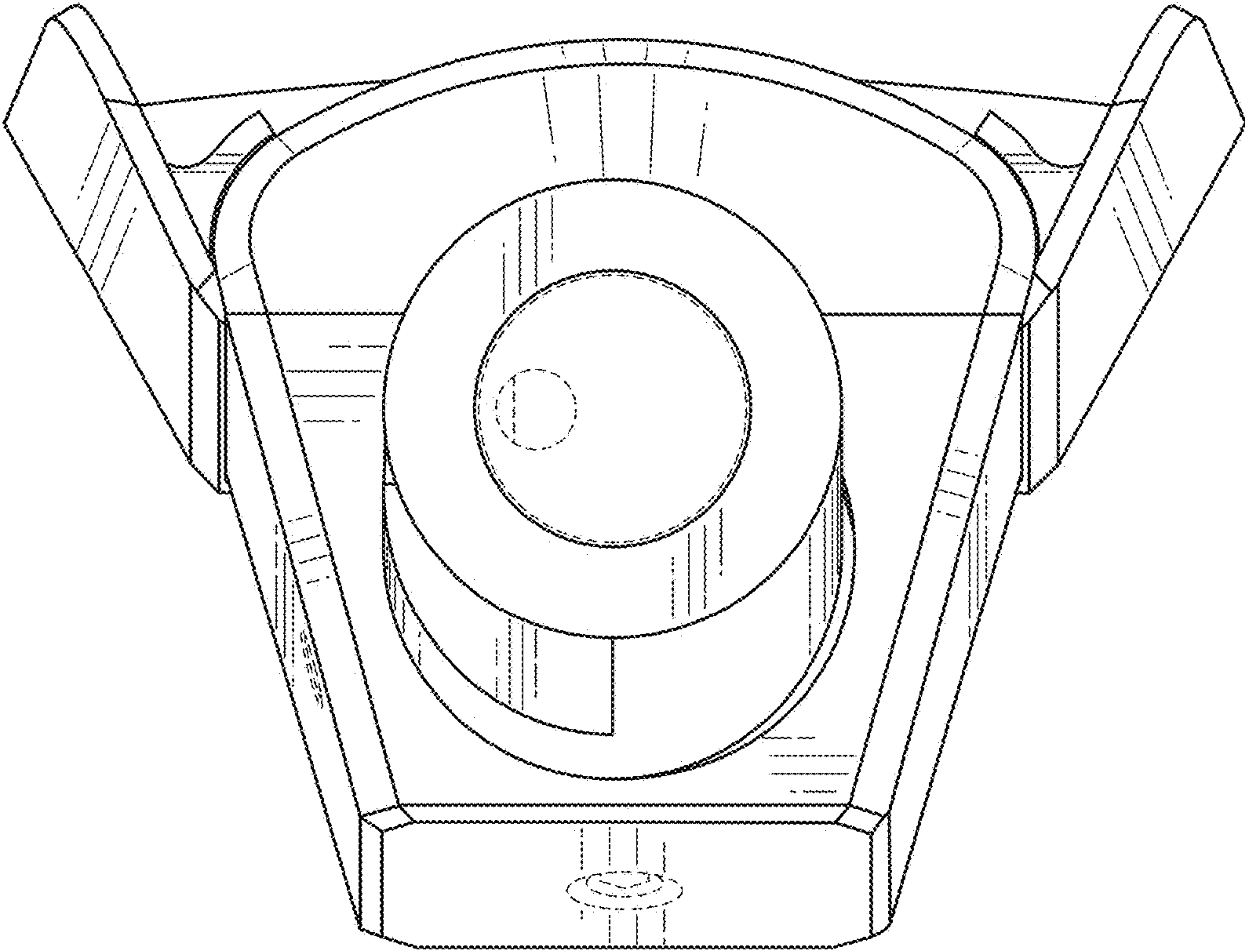


FIG. 8

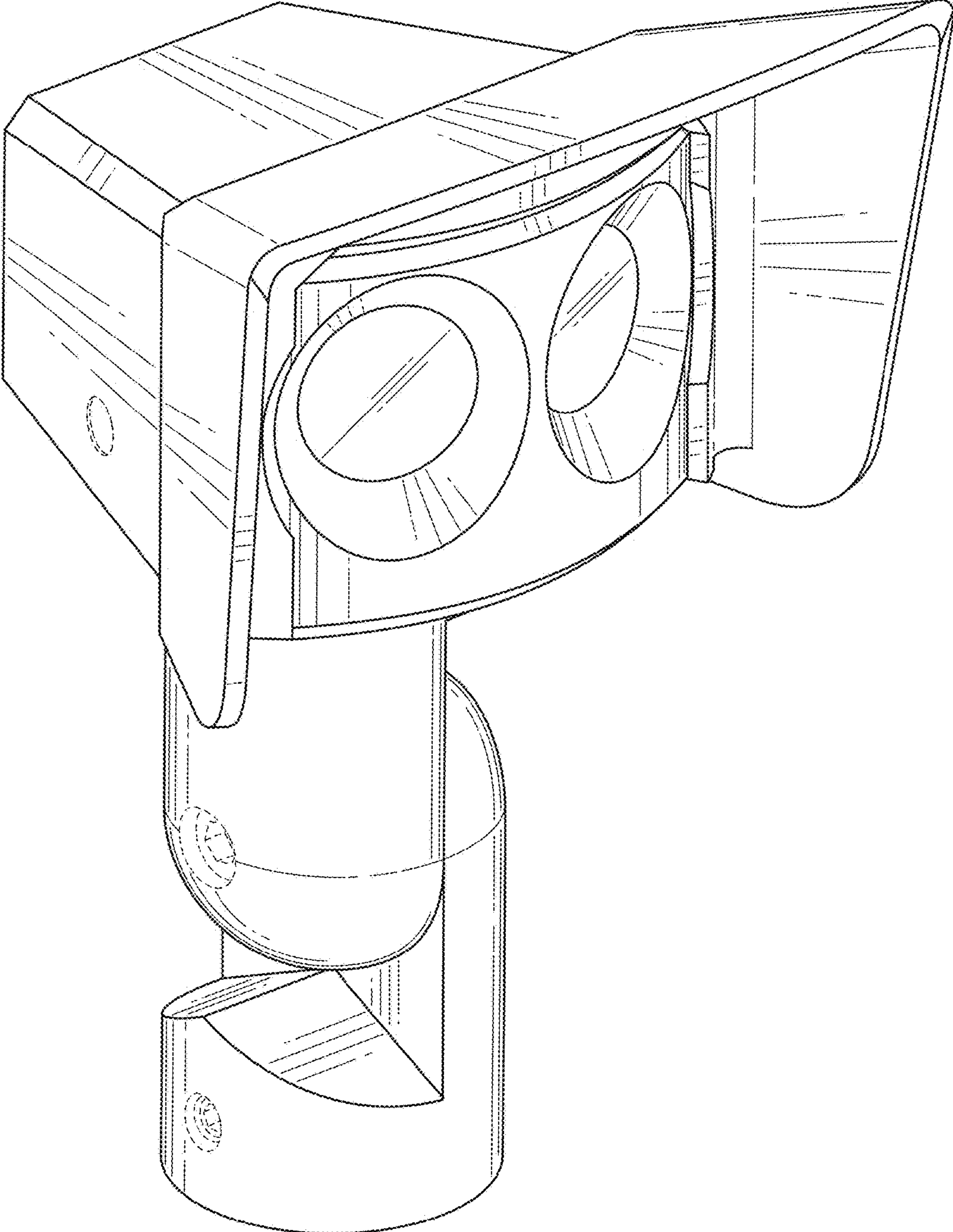


FIG. 9

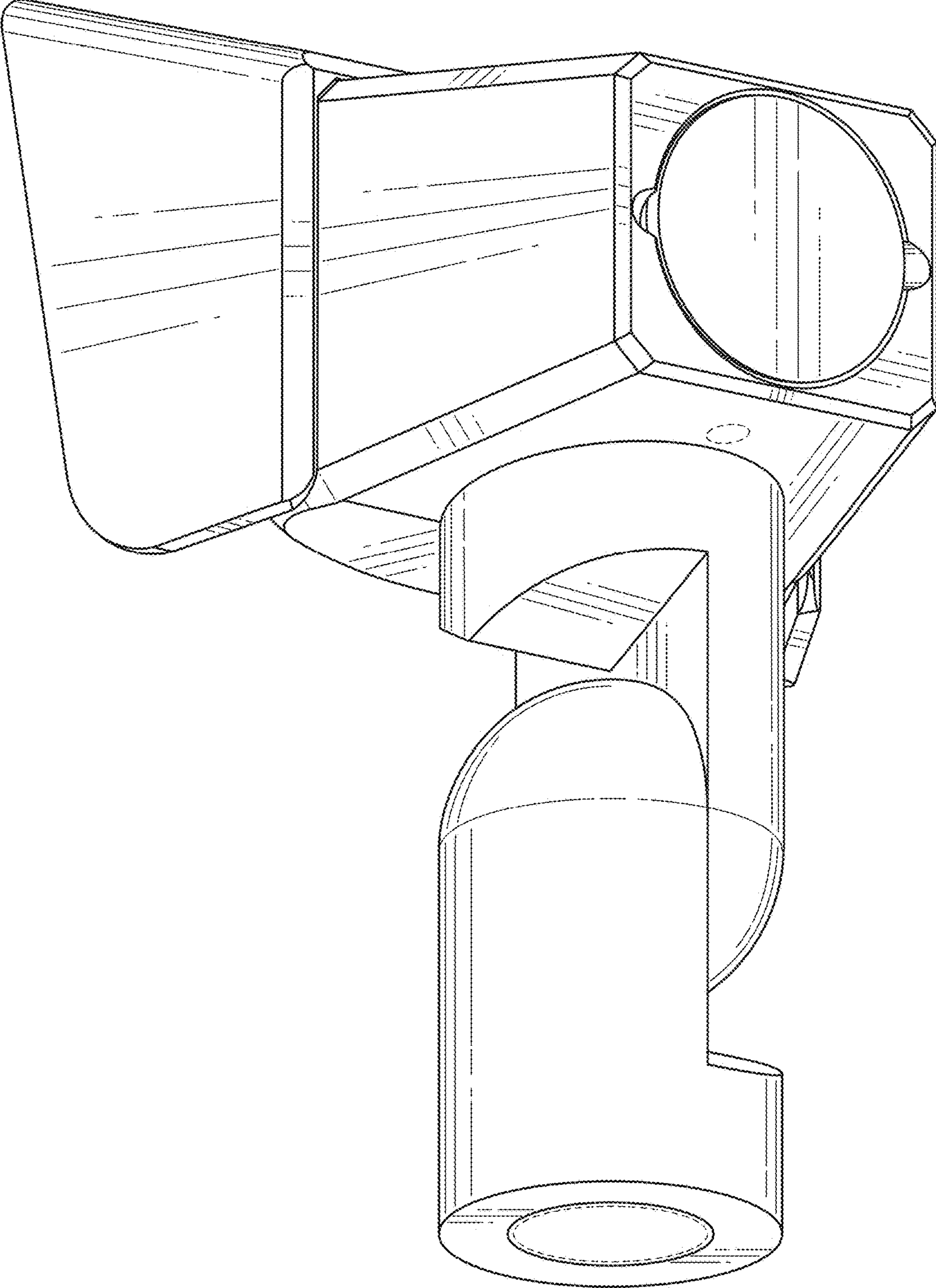


FIG. 10

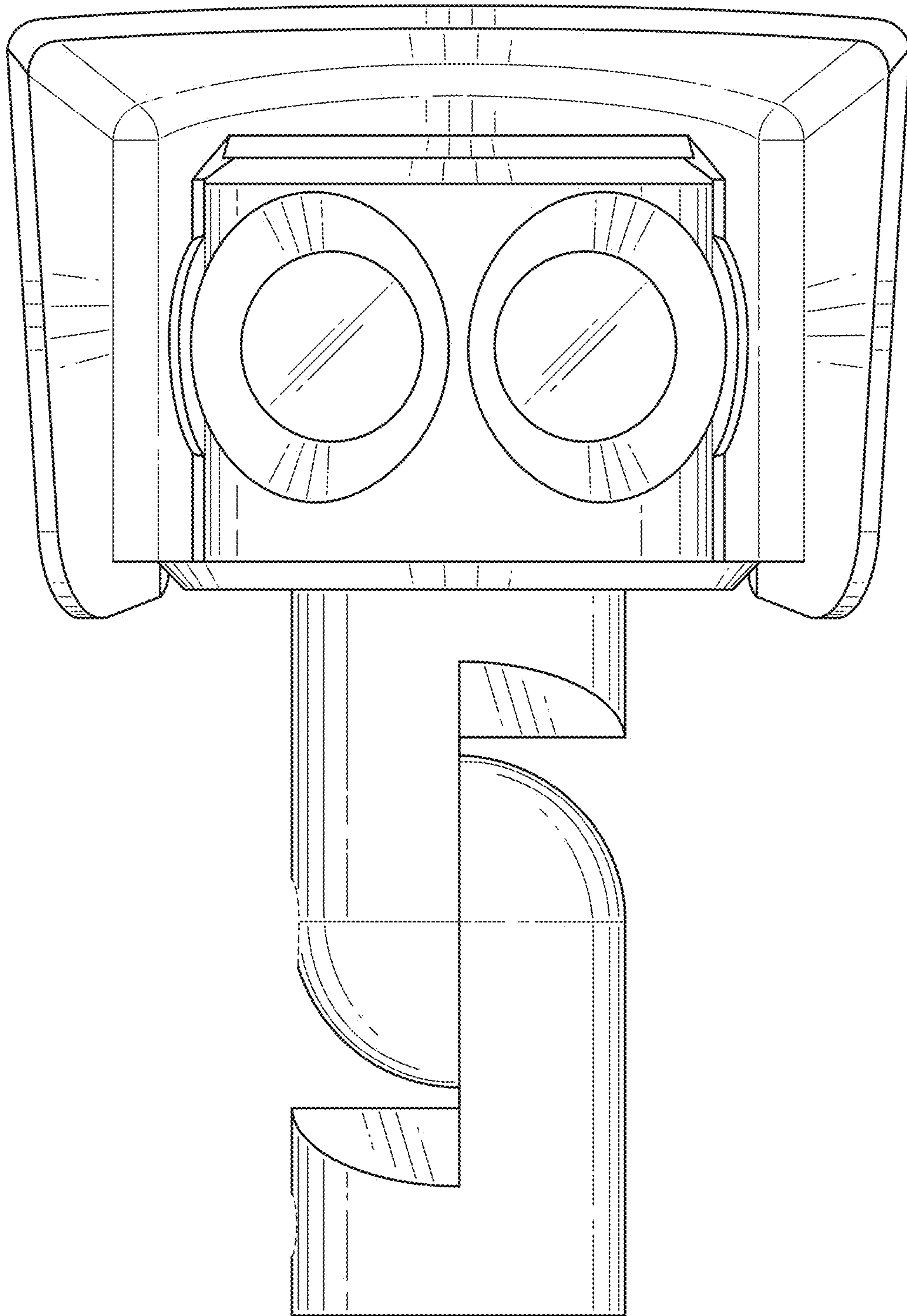


FIG. 11

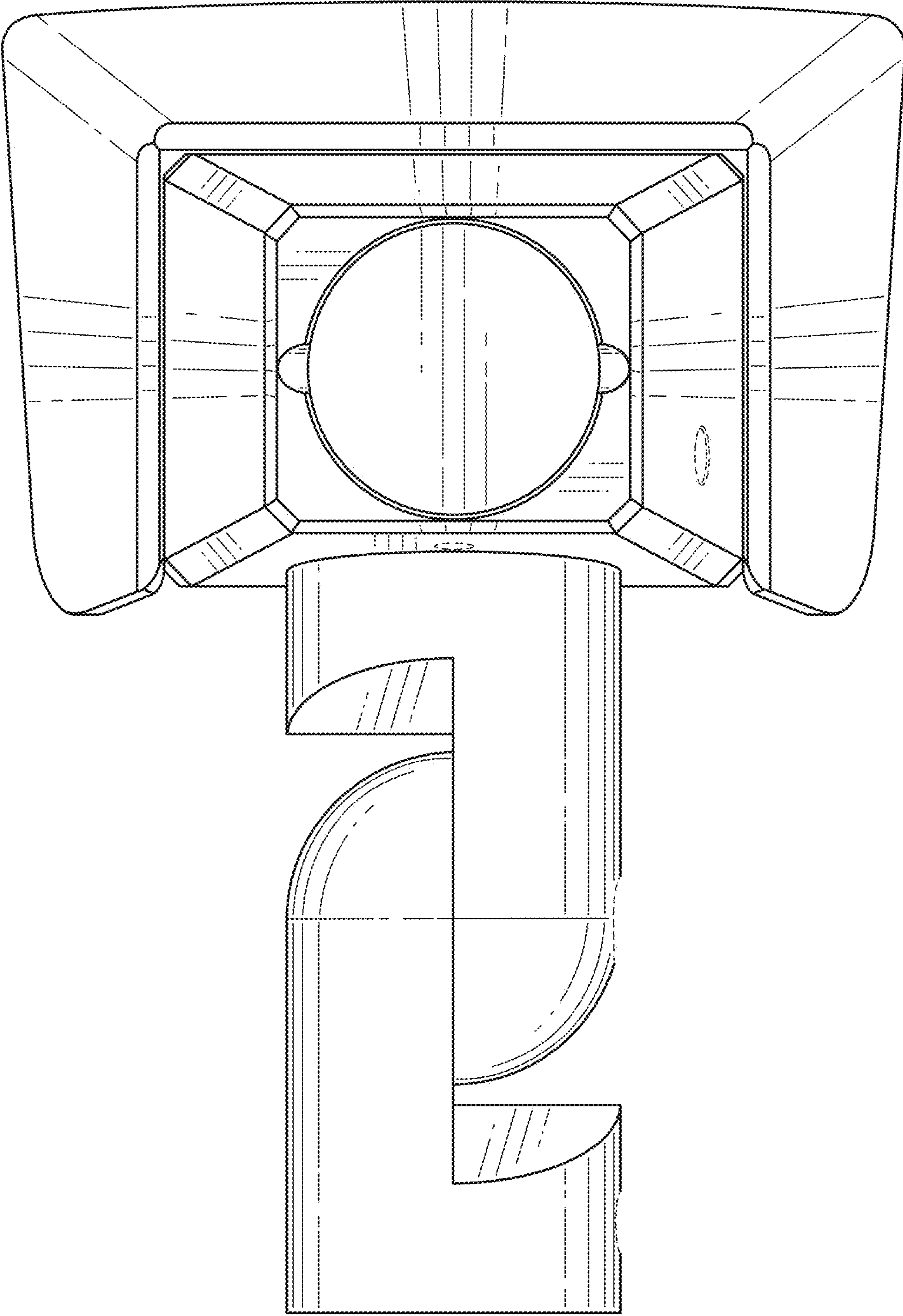


FIG. 12

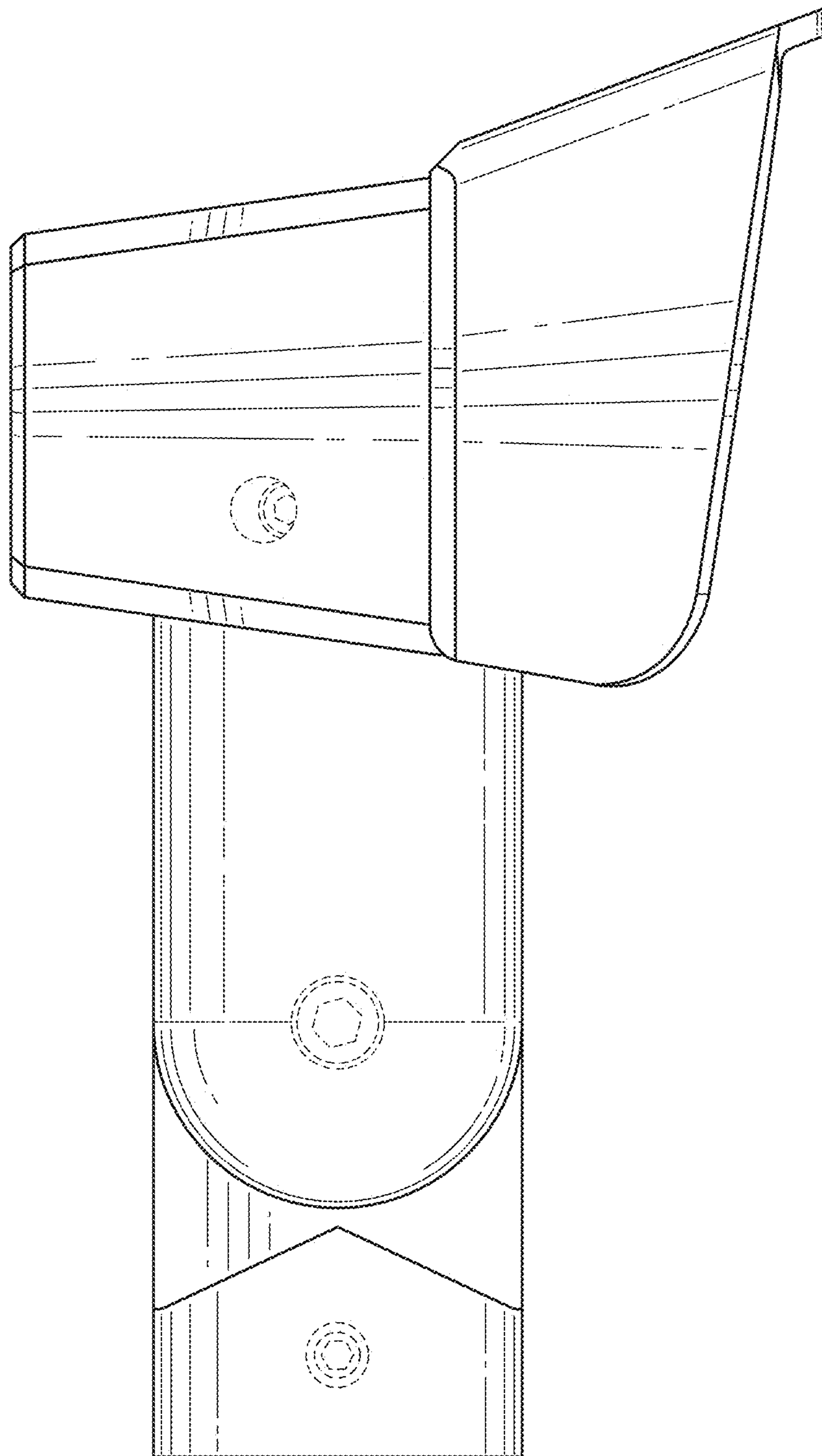


FIG. 13

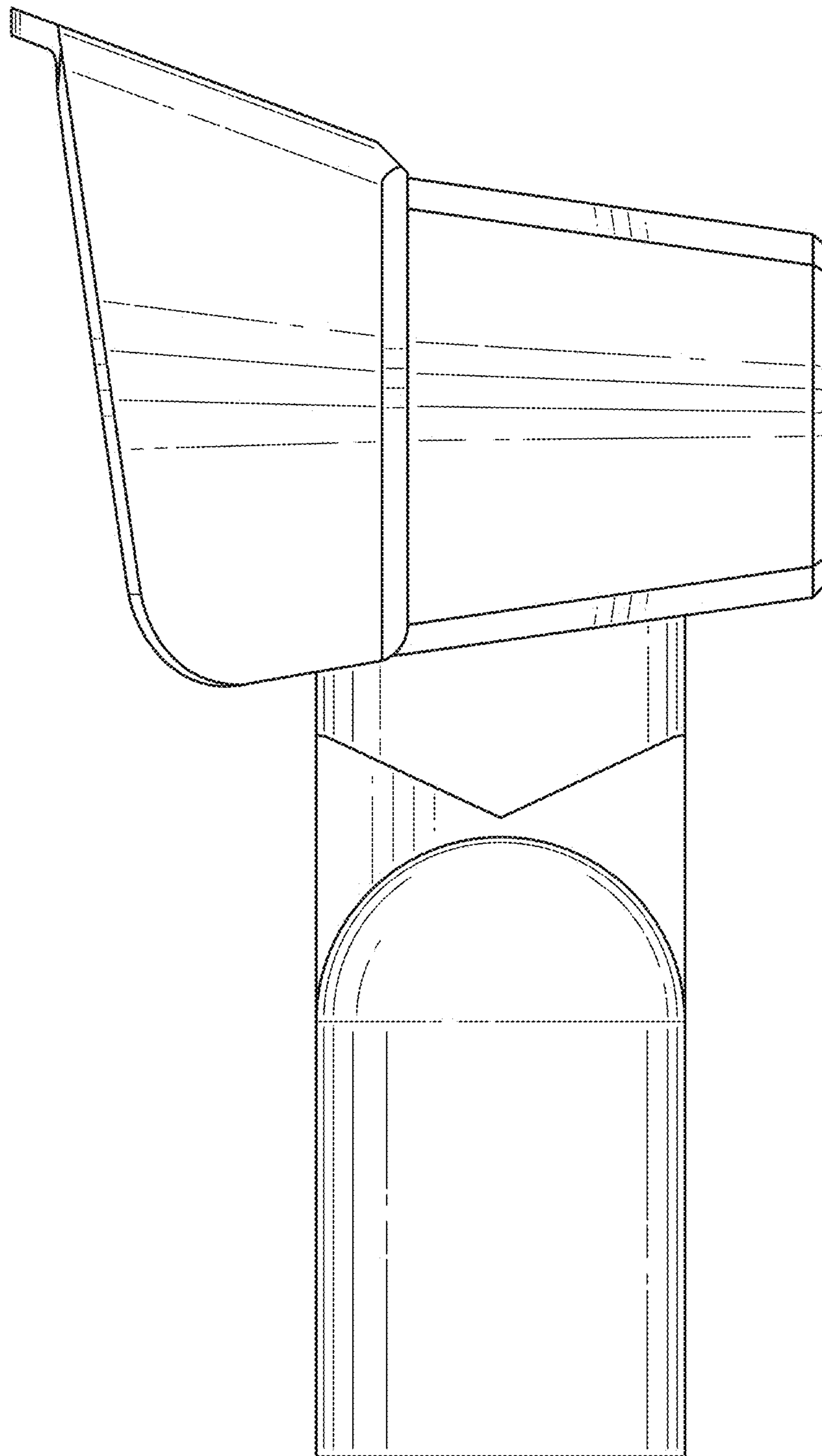


FIG. 14

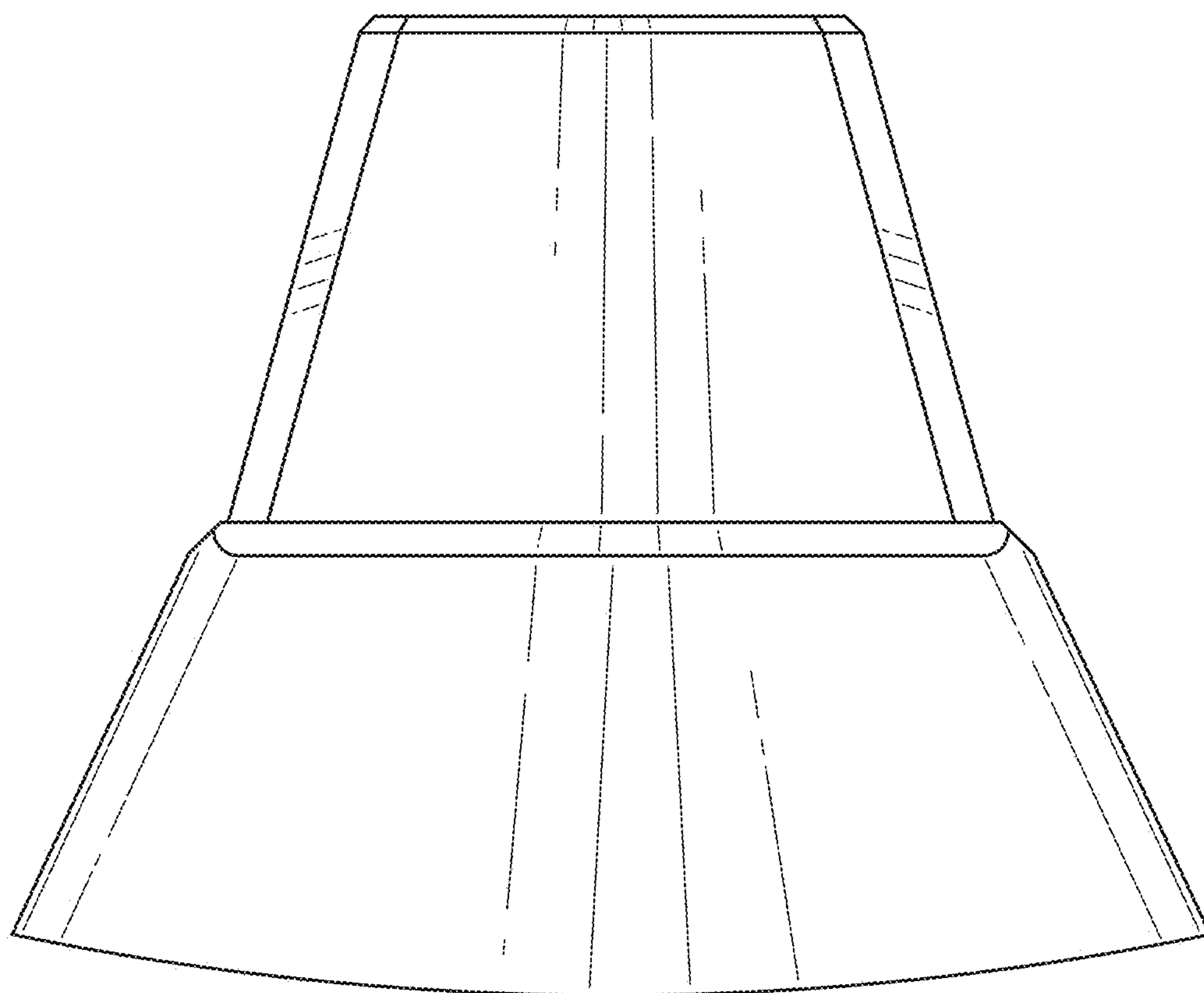


FIG. 15

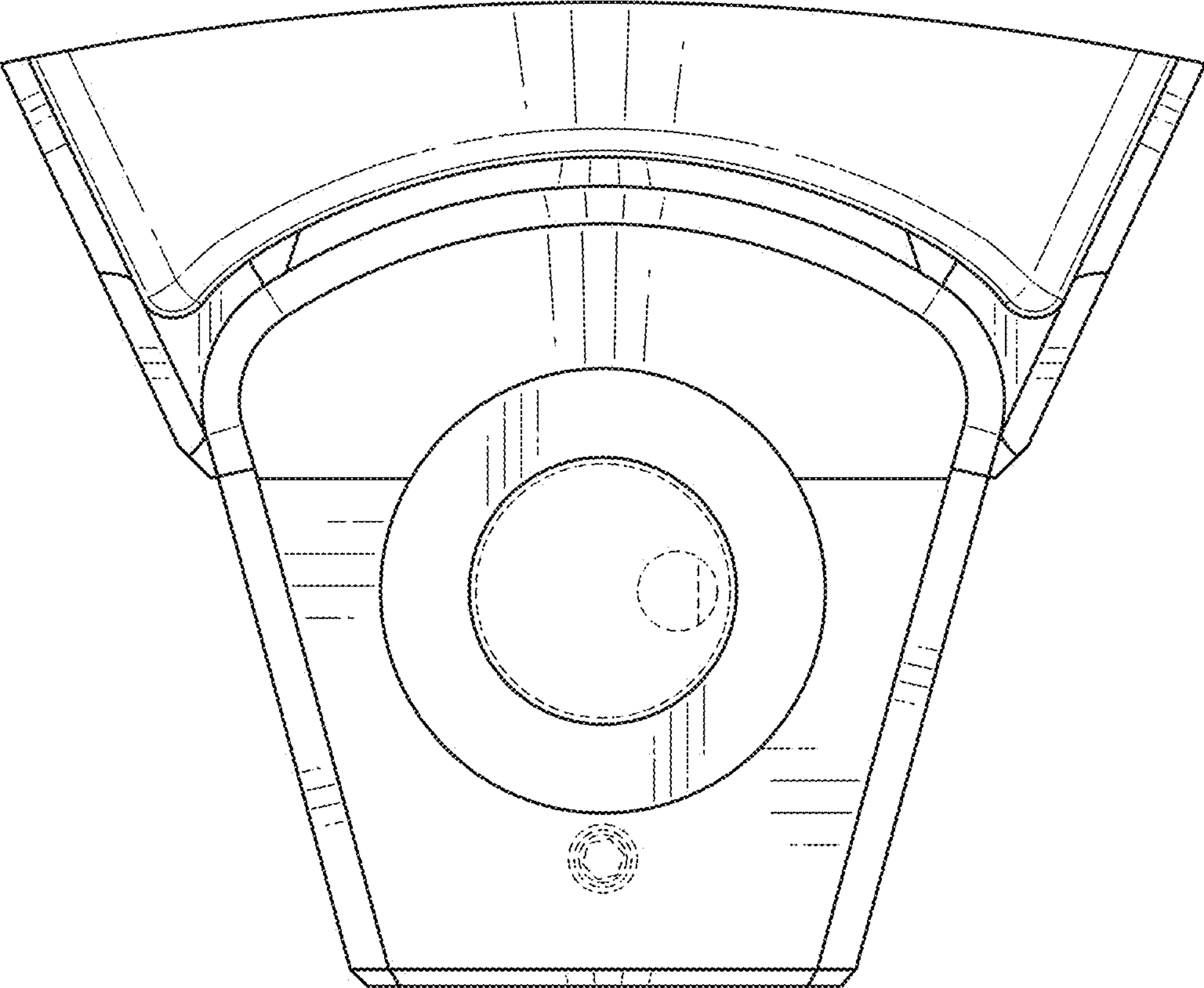


FIG. 16

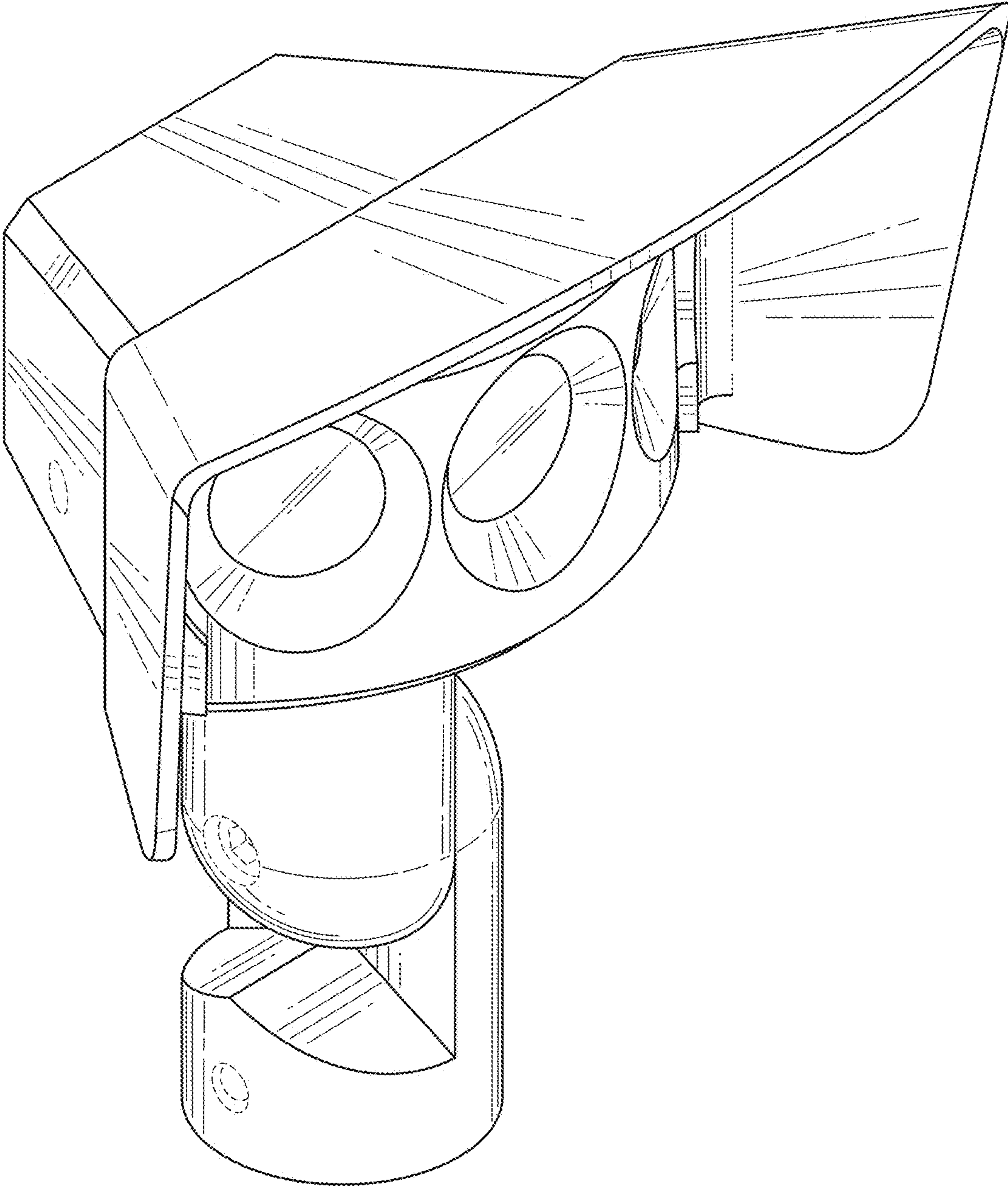


FIG. 17

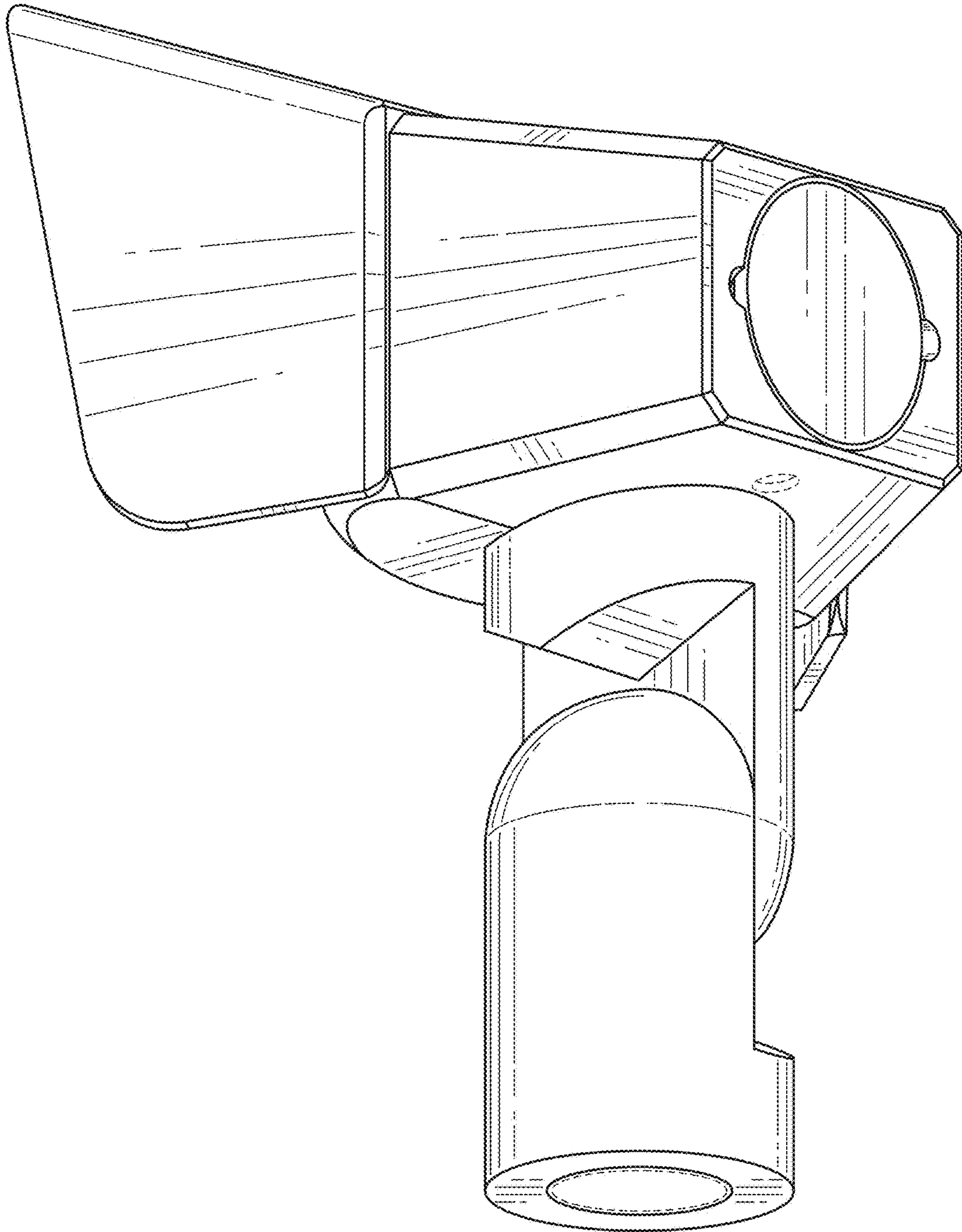


FIG. 18

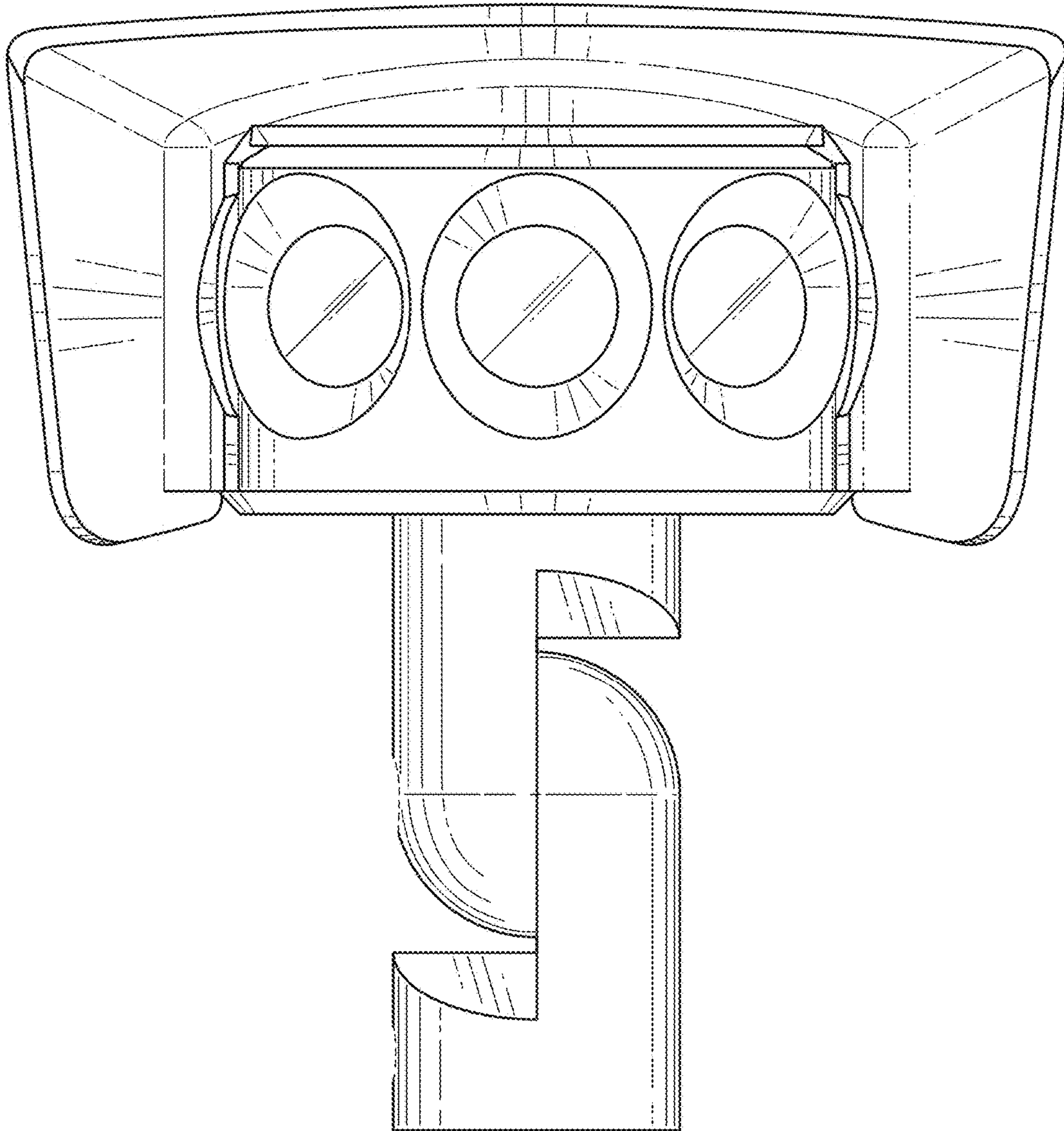


FIG. 19

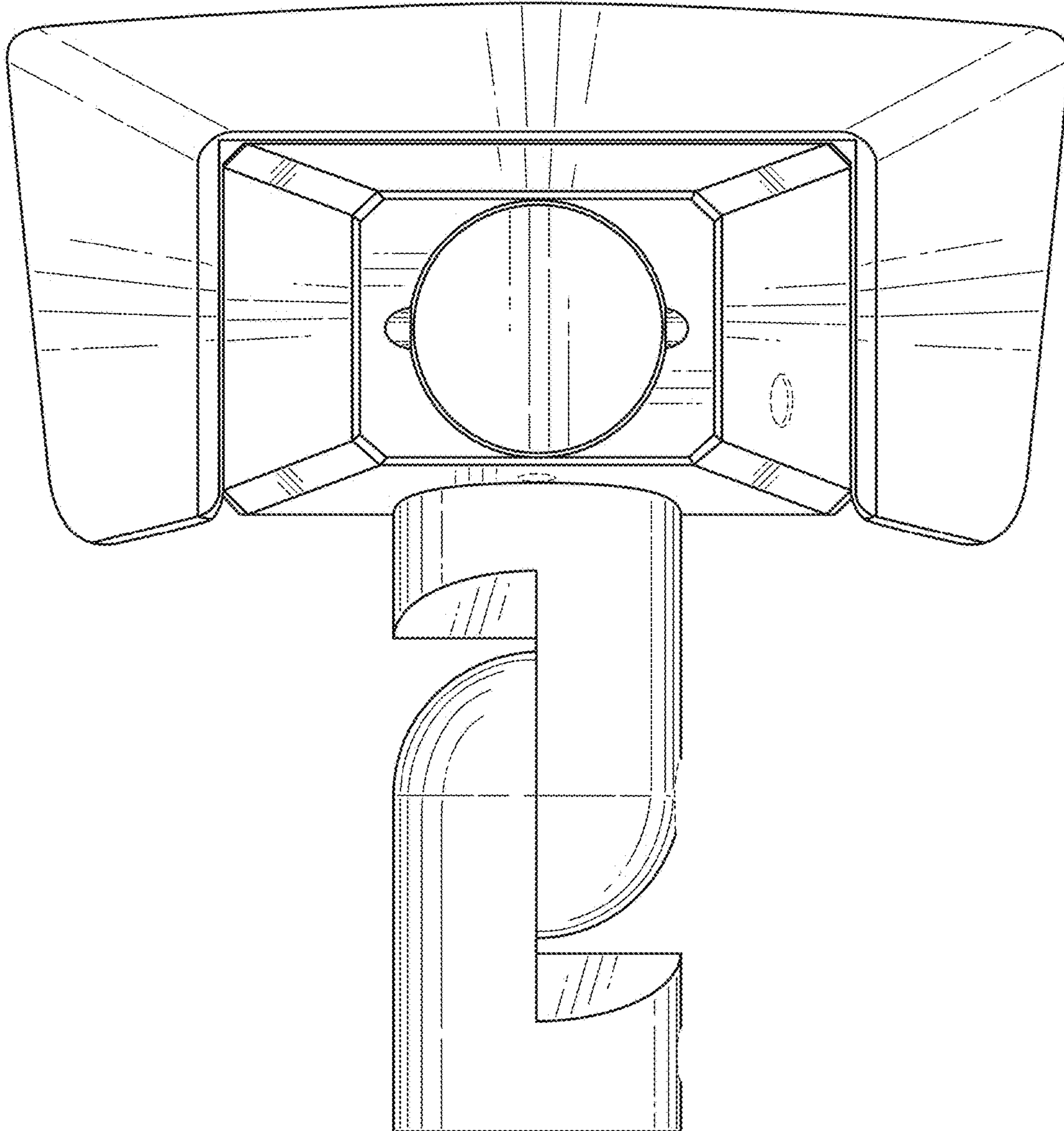


FIG. 20

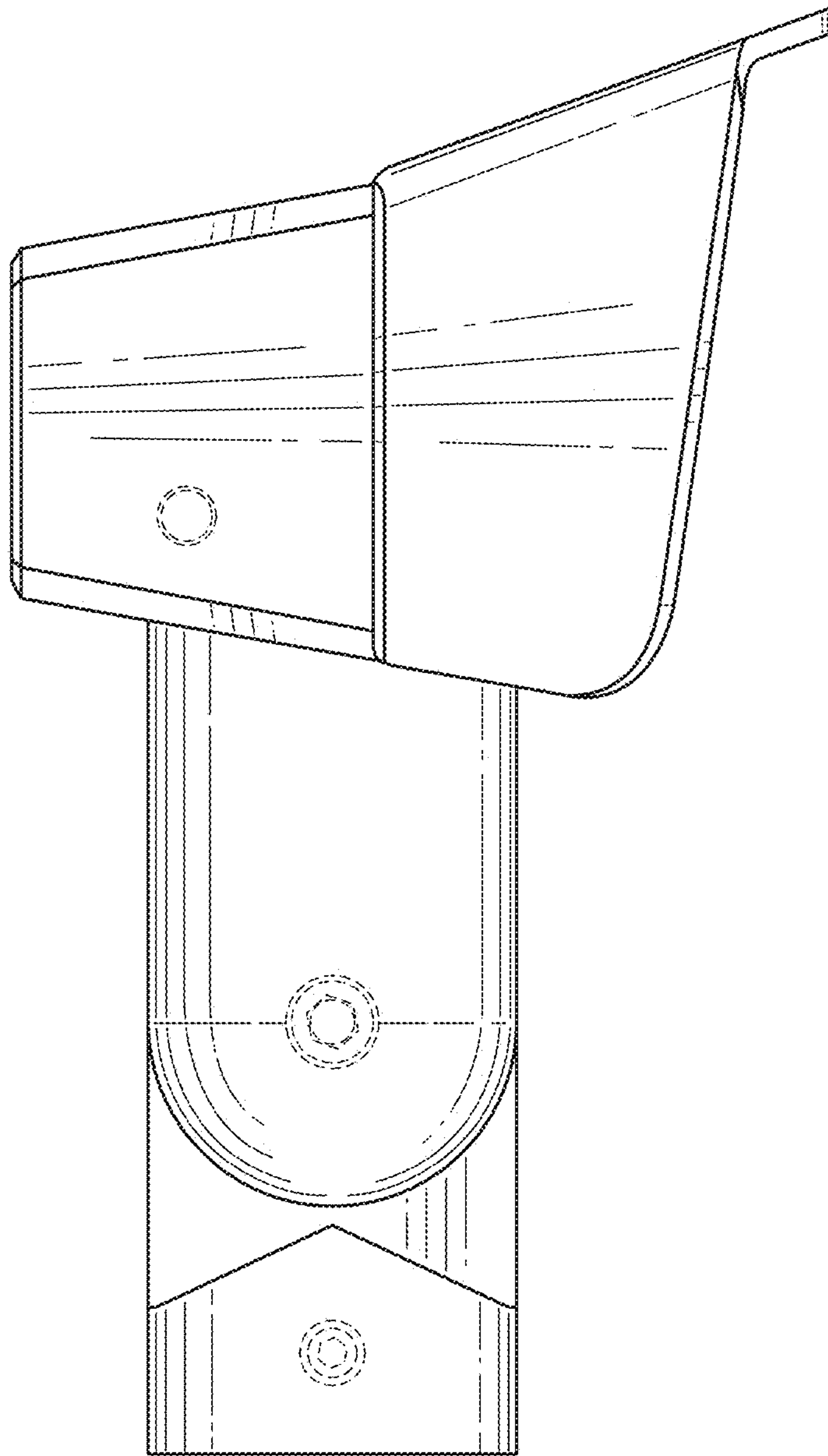


FIG. 21

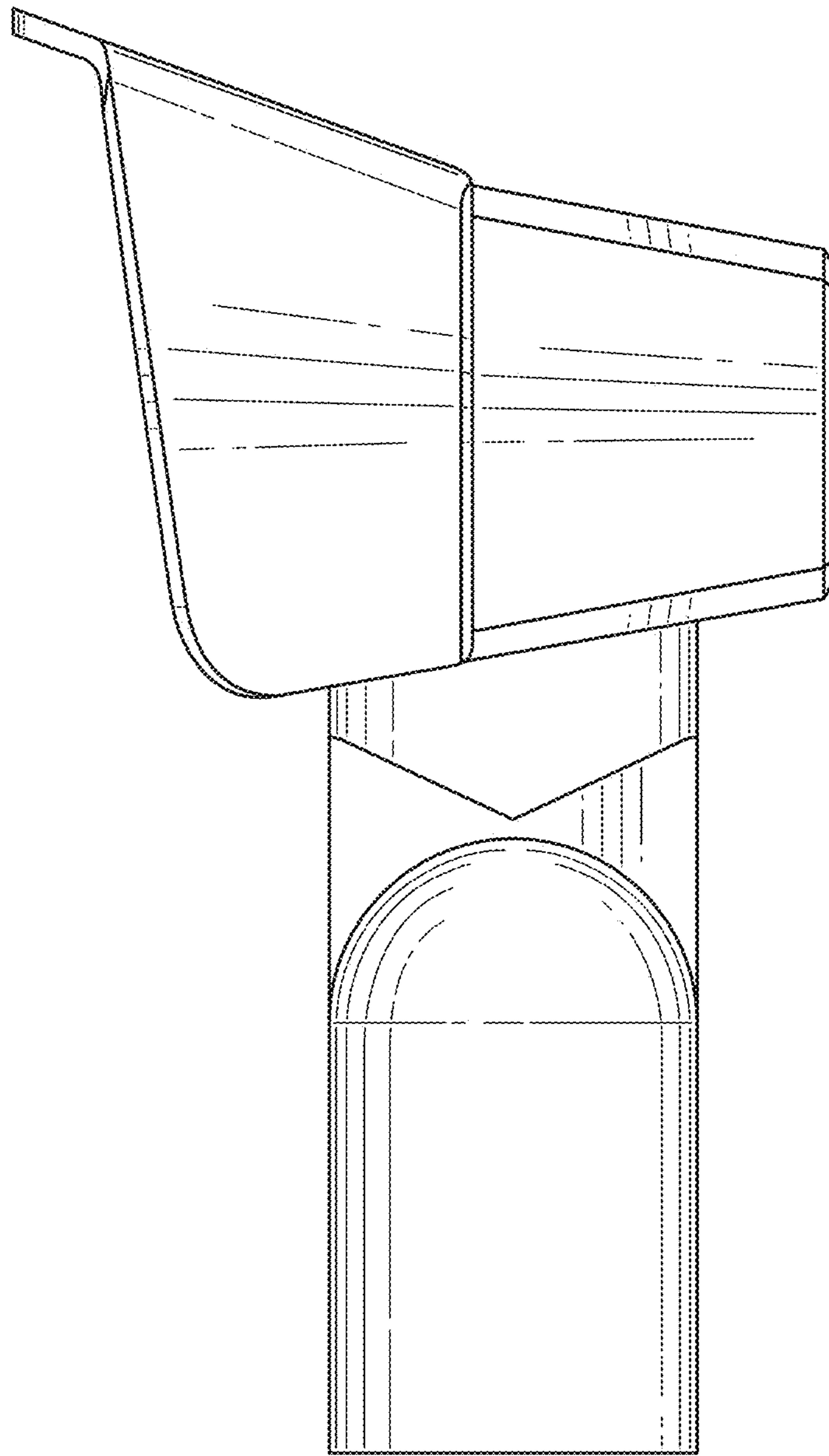


FIG. 22

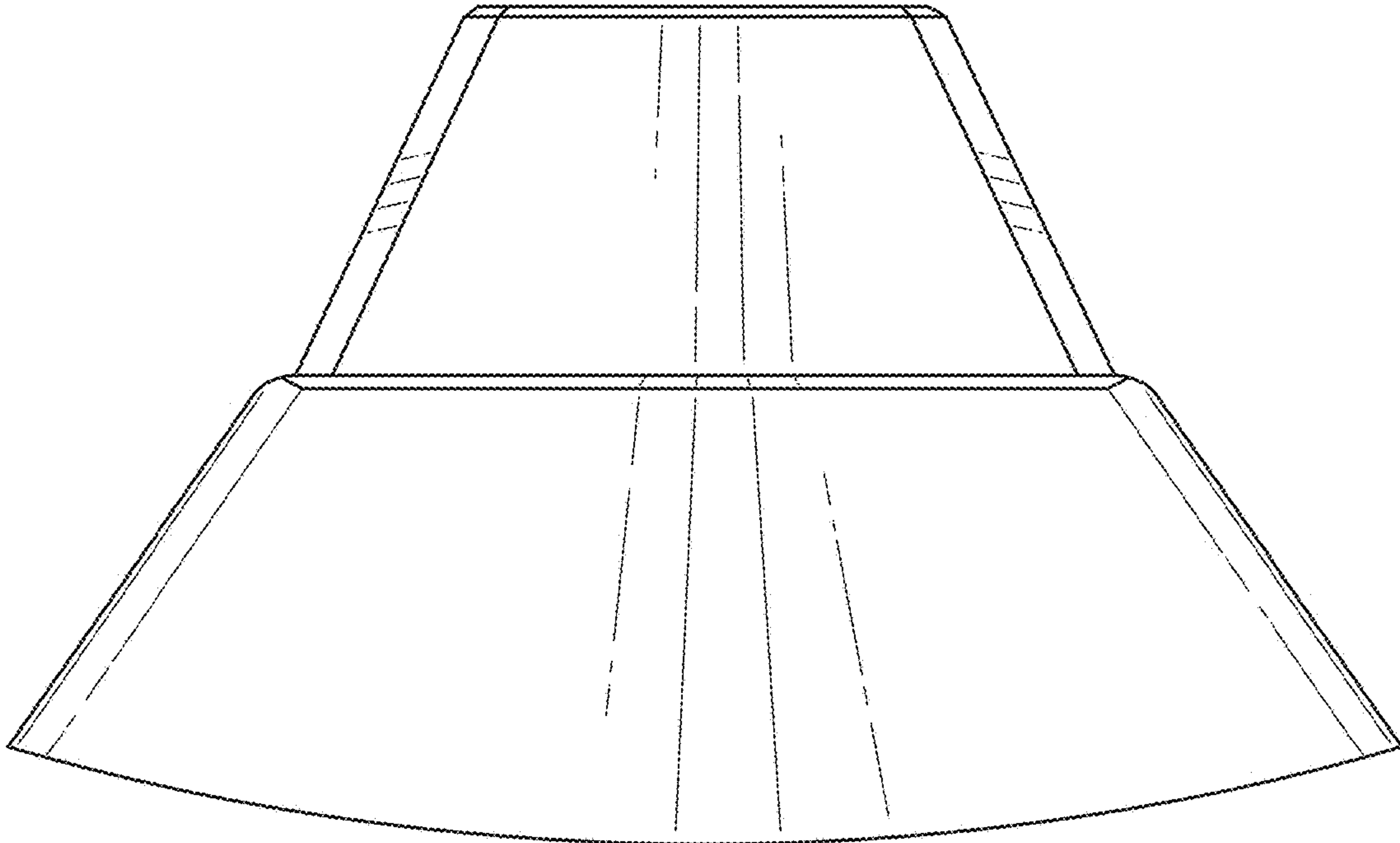


FIG. 23

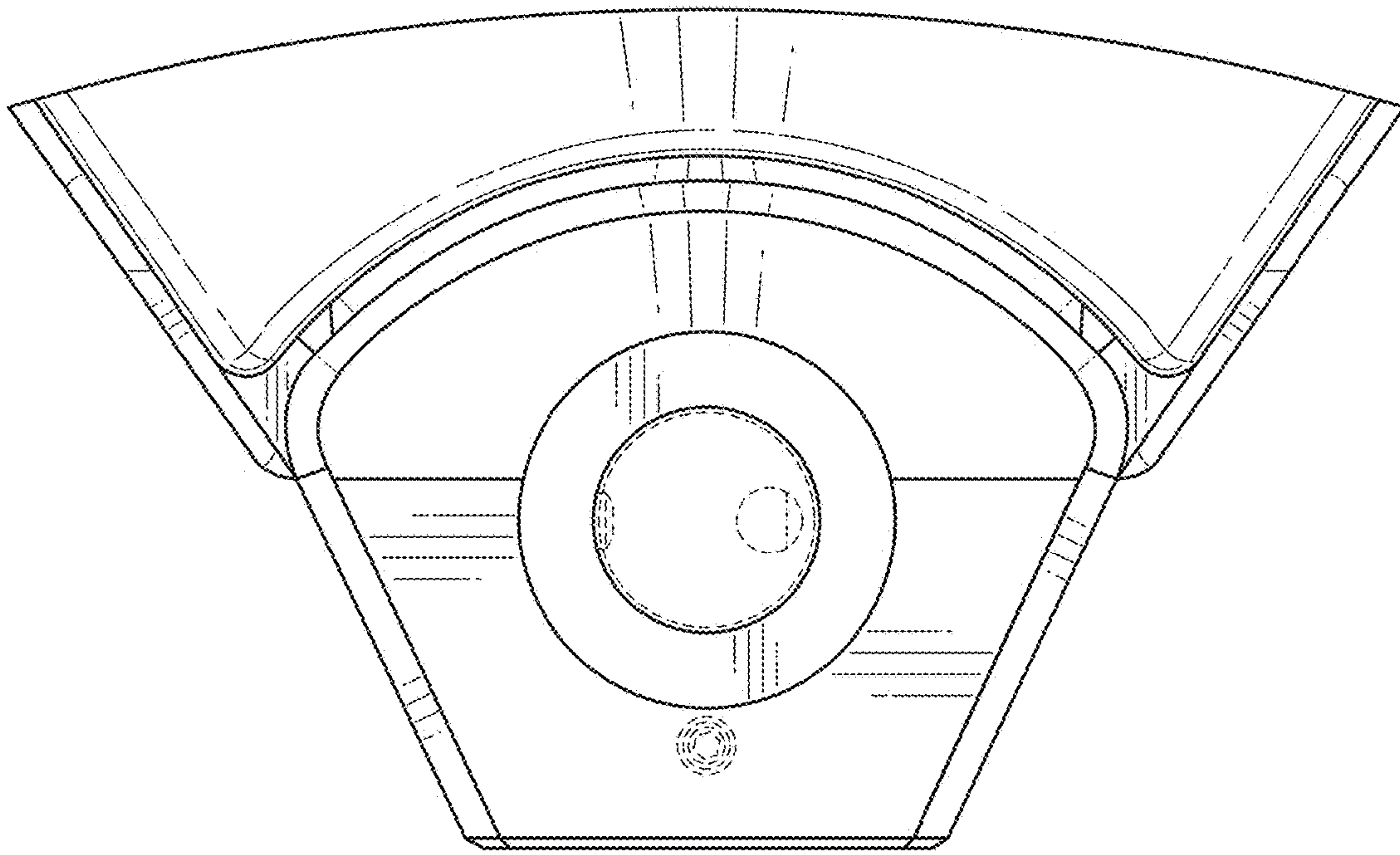


FIG. 24