



US00D838397S

(12) **United States Design Patent** (10) **Patent No.:** **US D838,397 S**  
**Calisi et al.** (45) **Date of Patent:** **\*\* Jan. 15, 2019**

(54) **INDICATOR LIGHT PANEL FOR A SOUND MASKING SYSTEM**

(56) **References Cited**

U.S. PATENT DOCUMENTS

(71) Applicant: **Cambridge Sound Management, Inc.**,  
Waltham, MA (US)

D487,469 S *	3/2004	Glaser	.....	D14/489
D633,541 S *	3/2011	Khubani	.....	D16/135
D653,372 S *	1/2012	Feigenbaum	.....	D26/51
D659,867 S *	5/2012	Zhan	.....	D16/239
D684,185 S *	6/2013	van Dongen	.....	D14/489
D688,700 S *	8/2013	Brown	.....	D14/489
D699,376 S *	2/2014	Kim	.....	D26/1
D708,214 S *	7/2014	Lee	.....	D14/489
D739,413 S *	9/2015	Shin	.....	D14/485
D739,878 S *	9/2015	Baxley	.....	D14/492
D741,928 S *	10/2015	Huang	.....	D16/135
D746,327 S *	12/2015	Varga	.....	D14/489
D746,328 S *	12/2015	Kim	.....	D14/489
D748,875 S *	2/2016	Roberson	.....	D26/42
D750,304 S *	2/2016	Khayat	.....	D26/38
D754,179 S *	4/2016	Angelides	.....	D14/486
D756,405 S *	5/2016	Kim	.....	D14/489
D763,916 S *	8/2016	Um	.....	D14/489
D766,493 S *	9/2016	Hoshikawa	.....	D26/107

(72) Inventors: **Christopher Calisi**, Middleton, MA (US); **Gregory Saunders**, Worcester, MA (US); **Mitchell Nollman**, Brighton, MA (US); **Gordon V. Cook**, Acton, MA (US); **Thomas R. Horrall**, Harvard, MA (US); **Stephen Shenefield**, Arlington, MA (US)

(73) Assignee: **Cambridge Sound Management, Inc.**,  
Waltham, MA (US)

(\*\*) Term: **14 Years**

(21) Appl. No.: **29/522,908**

(22) Filed: **Apr. 3, 2015**

(51) **LOC (11) Cl.** ..... **26-05**

(52) **U.S. Cl.**  
USPC ..... **D26/51**

(58) **Field of Classification Search**  
USPC ..... D26/37, 38, 39, 40, 41, 42, 45, 51;  
D14/489, 492, 485  
CPC ..... F21L 2003/00; F21L 4/00; F21L 4/005;  
F21L 4/02; F21L 4/025; F21L 4/027;  
F21L 4/04; F21L 4/08; F21L 2005/00;  
F21L 7/00; F21L 11/00; F21L 13/00;  
F21L 13/04; F21L 13/08; F21L 14/02;  
F21L 17/00; F21L 19/00; G06F 3/016;  
G06F 3/0202; G06F 3/04845; G06F  
13/385; H04N 17/00; H04N 5/30; H04N  
5/66; H04N 5/2251; H04M 1/0214

See application file for complete search history.

(Continued)

*Primary Examiner* — Brandon M Rosati

*Assistant Examiner* — Carissa C Fitts

(74) *Attorney, Agent, or Firm* — Hamilton, Brook, Smith & Reynolds, P.C.

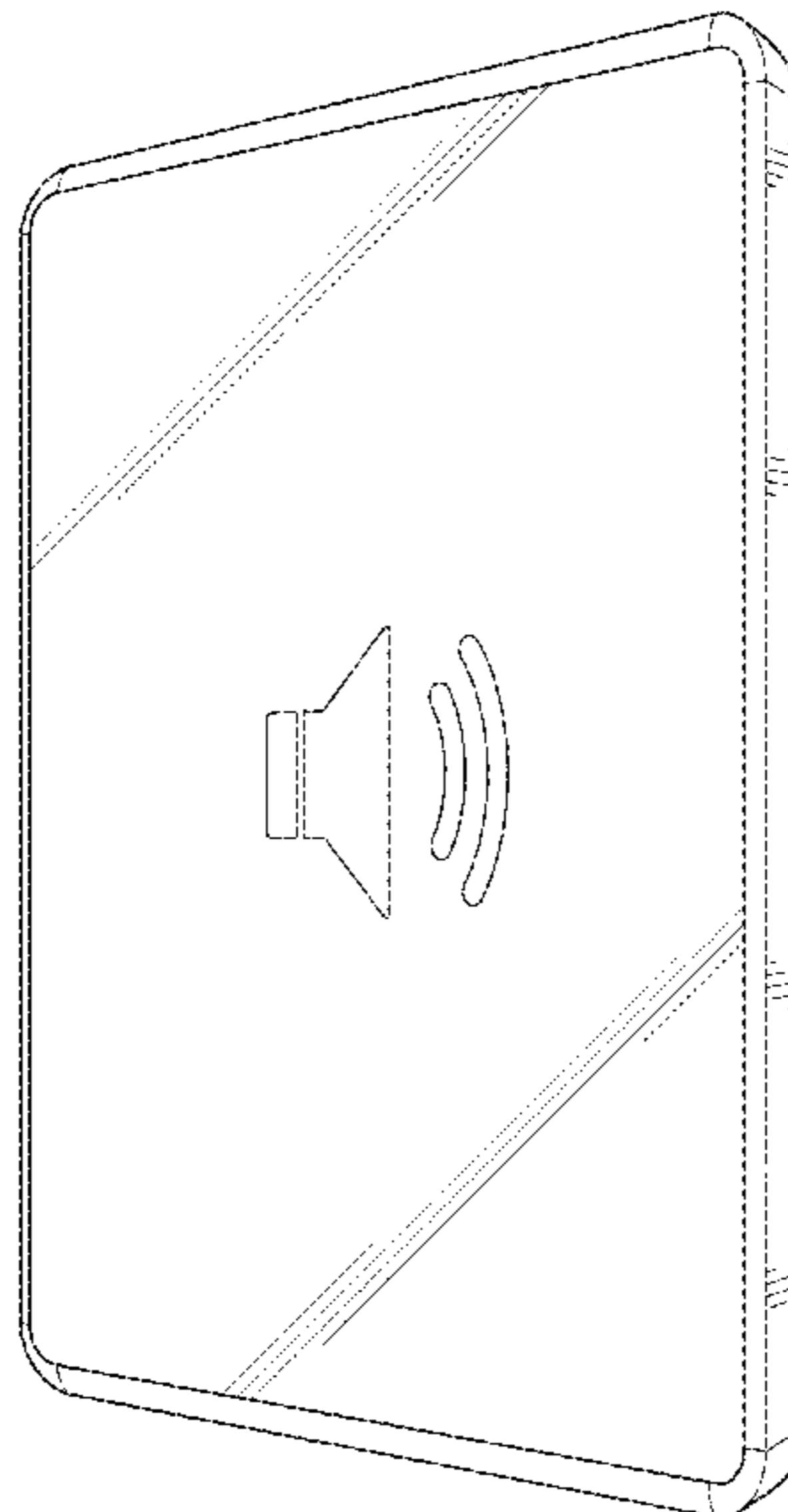
(57) **CLAIM**

The ornamental design for an indicator light panel for a sound masking system, as shown and described.

**DESCRIPTION**

FIG. 1 is a right side perspective view of an indicator light panel for a sound masking system showing our new design; FIG. 2 is a left side perspective view thereof; FIG. 3 is a front elevation view thereof; FIG. 4 is a top plan view thereof; FIG. 5 is a bottom plan view thereof; FIG. 6 is a left side elevation view thereof; and, FIG. 7 is a right side elevation view thereof.

**1 Claim, 5 Drawing Sheets**



(56)

**References Cited**

U.S. PATENT DOCUMENTS

D770,655 S \* 11/2016 Leanza ..... D26/51  
D773,479 S \* 12/2016 Trabona ..... D14/485  
D775,390 S \* 12/2016 Zimmer ..... D26/37  
D781,284 S \* 3/2017 Suzuki ..... D14/341  
D781,285 S \* 3/2017 Akana ..... D14/341  
D782,470 S \* 3/2017 Raken ..... D14/341  
D783,049 S \* 4/2017 Kisselev ..... D14/489  
2016/0053980 A1\* 2/2016 Uphoff ..... F21V 23/0414  
362/183  
2016/0305646 A1\* 10/2016 Marcus ..... H05K 5/0234

\* cited by examiner

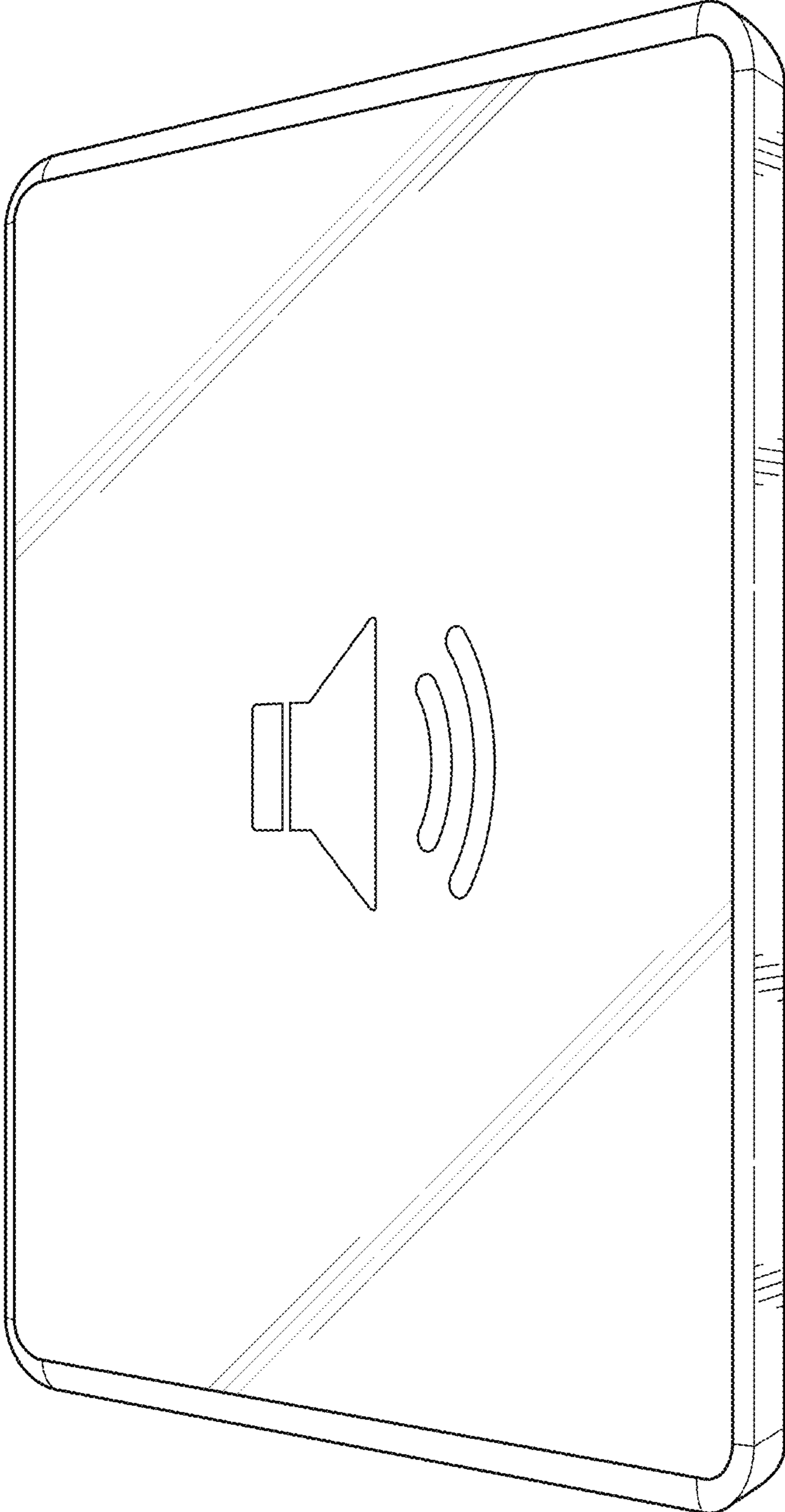


FIG. 1

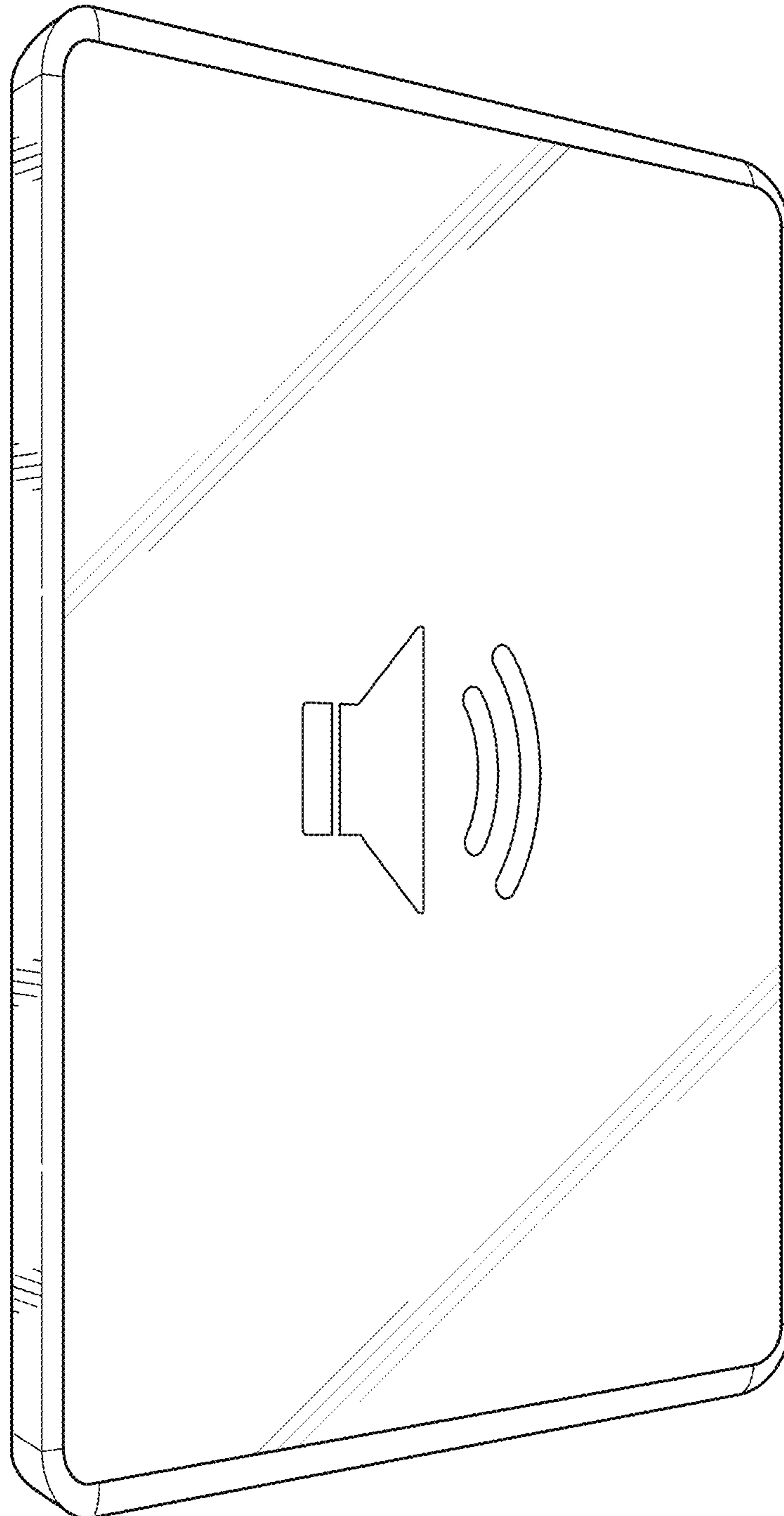


FIG. 2

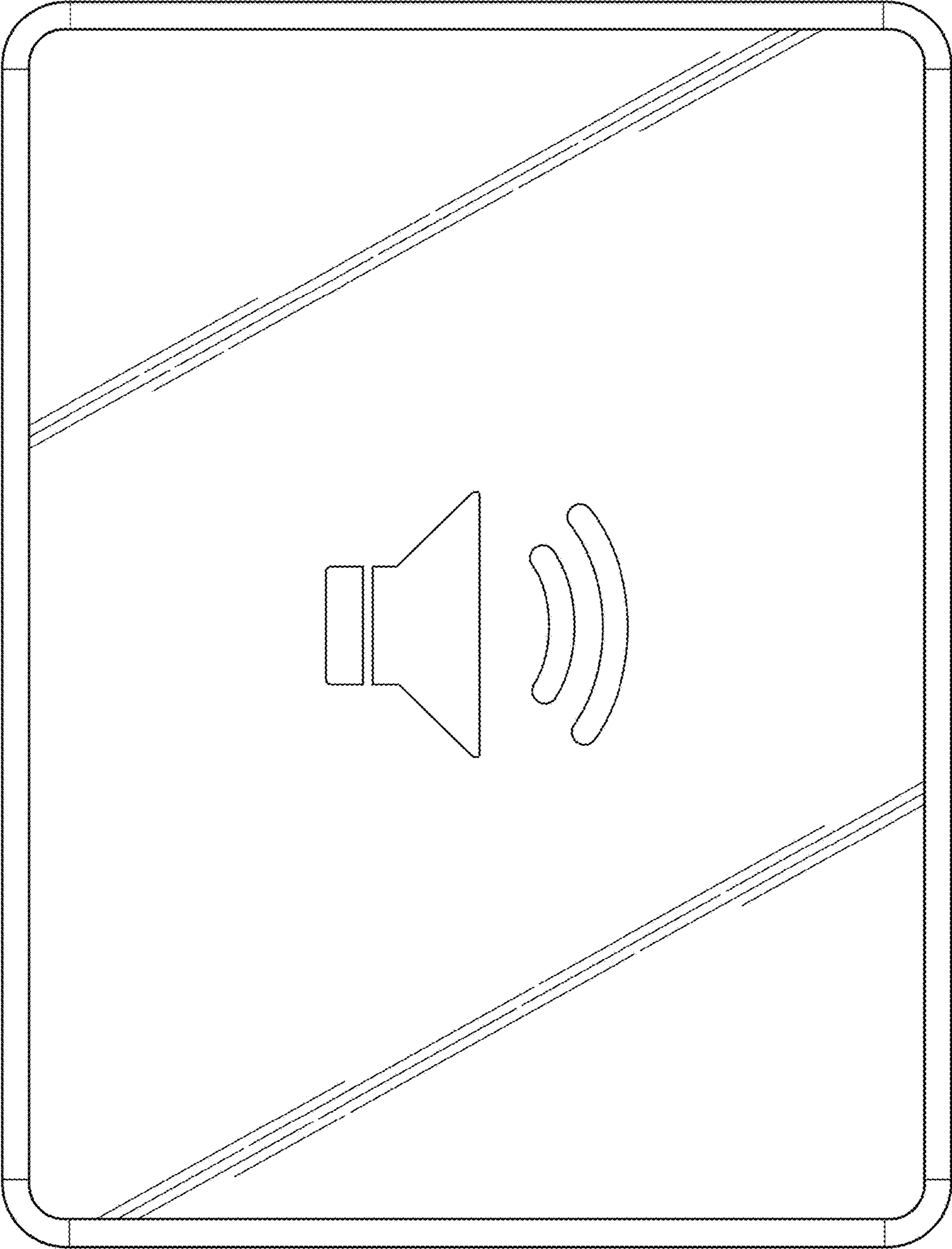


FIG. 3



FIG. 4



FIG. 5

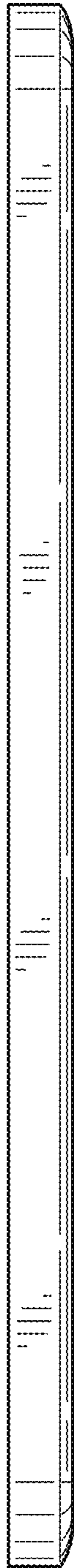


FIG. 6

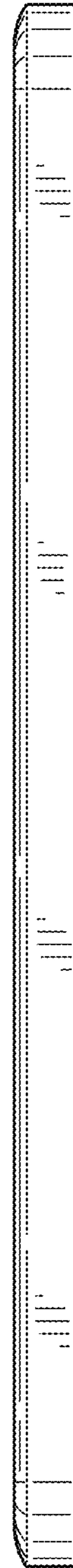


FIG. 7