



US00D838395S

(12) **United States Design Patent** (10) **Patent No.:** **US D838,395 S**
Nguyen et al. (45) **Date of Patent:** **** Jan. 15, 2019**

(54) **HANDHELD LIGHTING DEVICE**
(71) Applicant: **SureFire, LLC**, Fountain Valley, CA (US)
(72) Inventors: **Loc Nguyen**, Santa Ana, CA (US); **John W. Matthews**, Newport Beach, CA (US)
(73) Assignee: **SureFire, LLC**, Fountain Valley, CA (US)
(**) Term: **15 Years**
(21) Appl. No.: **29/590,692**
(22) Filed: **Jan. 12, 2017**
(51) **LOC (11) Cl.** **26-02**
(52) **U.S. Cl.**
USPC **D26/46; D26/38**
(58) **Field of Classification Search**
USPC D26/37-51
CPC F21L 2003/00; F21L 4/00; F21L 4/005;
F21L 4/02; F21L 4/025; F21L 4/027;
F21L 4/04; F21L 4/08; F21L 2005/00;
F21L 7/00; F21L 11/00; F21L 13/00;
F21L 13/04; F21L 13/08; F21L 14/02;
F21L 17/00; F21L 19/00
See application file for complete search history.

D737,487 S * 8/2015 Beckett D26/38
9,120,237 B2 9/2015 Staines
D747,263 S * 1/2016 Lafferty D13/102
D750,949 S 3/2016 Hofman et al.
D756,014 S * 5/2016 Bao D26/65
D758,299 S * 6/2016 Lafferty D13/102
D764,087 S * 8/2016 Workman D26/37
D767,183 S * 9/2016 Caito D26/42
(Continued)

OTHER PUBLICATIONS

U.S. Appl. No. 15/870,605, filed Jan. 12, 2018, inventors: Nguyen et al., 44 pages.
(Continued)

Primary Examiner — Lakiya G Rogers
Assistant Examiner — Carissa C Fitts
(74) *Attorney, Agent, or Firm* — Haynes and Boone, LLP

(57) **CLAIM**

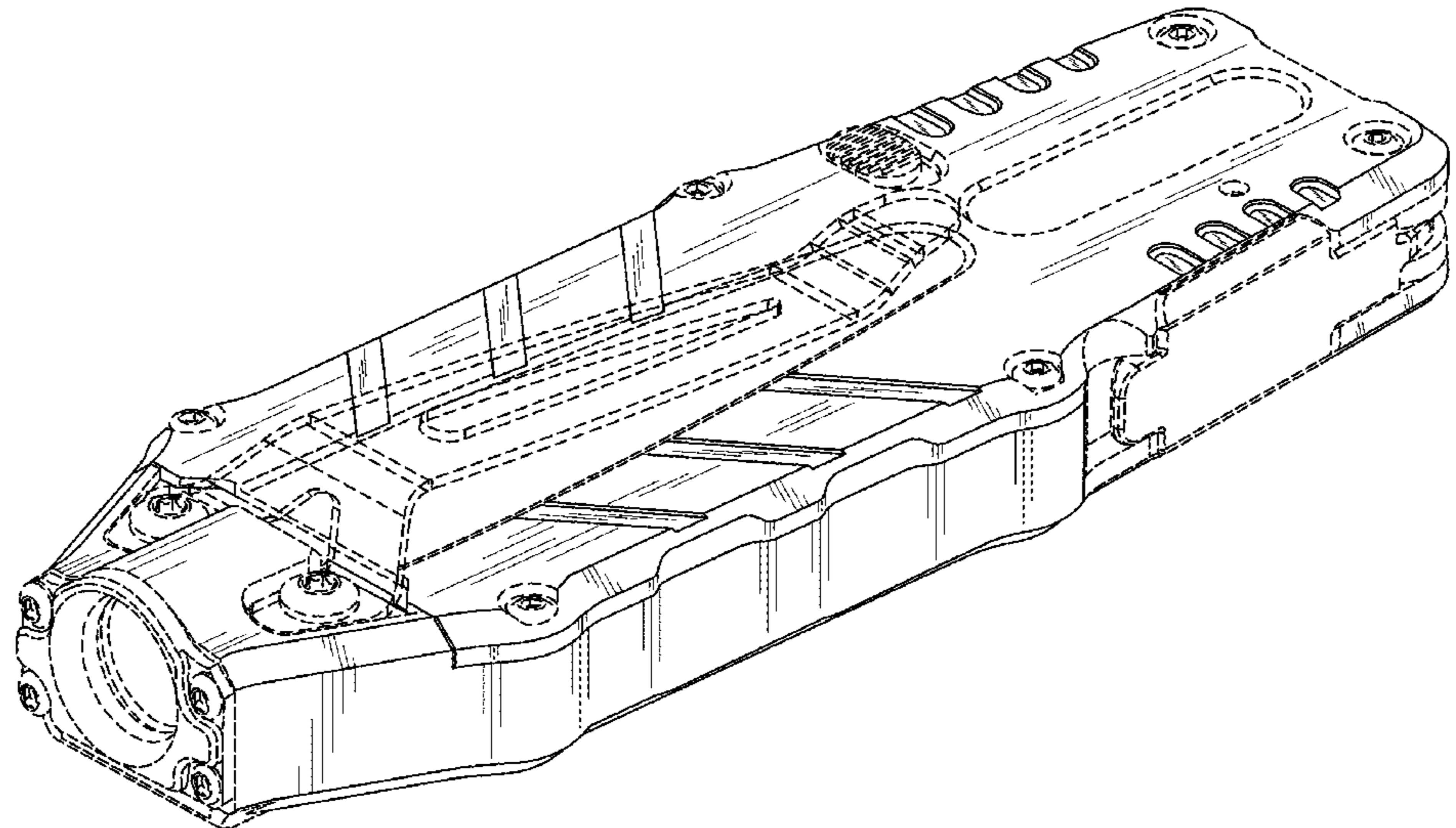
The ornamental design for a handheld lighting device, as shown and described.

DESCRIPTION

FIG. 1 is a front, left, and top perspective view of a handheld lighting device showing our new design;
FIG. 2 is a rear, right, and bottom perspective view thereof;
FIG. 3 is a top plan view thereof;
FIG. 4 is a bottom plan view thereof;
FIG. 5 is a right side view thereof;
FIG. 6 is a left side view thereof;
FIG. 7 is a front elevational view thereof; and,
FIG. 8 is a rear elevational view thereof.
FIG. 9 is a front, right, and bottom perspective view of the handheld lighting device having a knife blade deployed therefrom in response to an actuation of a sliding member. The broken lines in the drawings illustrate environmental features and form no part of the claimed design.

1 Claim, 9 Drawing Sheets

(56) **References Cited**
U.S. PATENT DOCUMENTS
4,751,621 A 6/1988 Jenkins
5,442,529 A 8/1995 Hoover
D488,205 S 4/2004 Skowronski
7,008,076 B2 3/2006 Zirk et al.
D549,799 S 8/2007 Kroll
D553,276 S * 10/2007 Campbell D26/37
D557,841 S * 12/2007 Lee D26/37
D598,593 S * 8/2009 Kingston D26/37
D615,676 S * 5/2010 Lee D26/37



(56)

References Cited

U.S. PATENT DOCUMENTS

D779,092 S	*	2/2017	Xu	D26/37
D803,440 S	*	11/2017	Tompkin	D26/37
D805,666 S	*	12/2017	Nguyen	D26/37
D806,294 S	*	12/2017	Nguyen	D26/37

OTHER PUBLICATIONS

“Pocket Knife with LED Light—#1 Rated for Hunting & Outdoors”, Under Control Tactical, Sep. 19, 2016, 2 pages [online], [retrieved on Apr. 13, 2017]. Retrieved from the Internet: <URL:https://www.undercontrolltactical.com/products/knife-with-led-light>.

“Knives”, Rapid Tools, Nov. 7, 2016, 6 pages [online], [retrieved on Apr. 13, 2017]. Retrieved from the Internet: <URL:http://www.rapidtools.net/Serrated-Knives.html>.

“Rapid Tools RT00001 Rapid Edge Utility Knife with LED Light for Close-Quarters”, amazon, Nov. 11, 2012, 6 pages [online], [retrieved on Apr. 13, 2017]. Retrieved from the Internet: <URL:https://www.amazon.com/Rapid-Tools-RT00001-Utility-Close-Quarters/dp/B000HBS5C2>.

“Coast LK375 Light Knife”, amazon, May 31, 2016, 6 pages [online], [retrieved on Apr. 13, 2017]. Retrieved from the Internet: <URL:https://www.amazon.com/Coast-LK375-Light-Knife/dp/B00UP3TOD6>.

“Brite-Blade™ Tactical Lighted Survival Knife”, Brite Strike Tactical Illumination Products, Nov. 15, 2016, 5 pages [online], [retrieved on Apr. 13, 2017]. Retrieved from the Internet: <URL: http://www.brite-strike.com/brite-blade.html>.

“SlimCut Brite”, GatorBlade, Oct. 27, 2016, 1 page [online], [retrieved on Apr. 13, 2017]. Retrieved from the Internet: <URL: http://slimcut.net/led/knife>.

“Knives”, Tool Logic Built for Life, Nov. 4, 2016, 2 pages [online], [retrieved on Apr. 13, 2017]. Retrieved from the Internet: URL:http://www.toollogic.com/knives.html>.

“Bladelight Folding Mini, Satin”, SOG, Sep. 29, 2016, 4 pages [online], [retrieved on Apr. 13, 2017]. Retrieved from the Internet: <URL:https://www.sogknives.com/bladelight-folding-mini-satin.html>.

“Tac-Force Knives LED Light Assisted Opening Rescue Knife”, amazon, Dec. 1, 2016, 6 pages [online], [retrieved on Apr. 13, 2017]. Retrieved from the Internet: <URL:https://www.amazon.com/TAC-FORCE-KNIVES-Assisted-Opening-Rescue/dp/B014D4C5HY>.

* cited by examiner

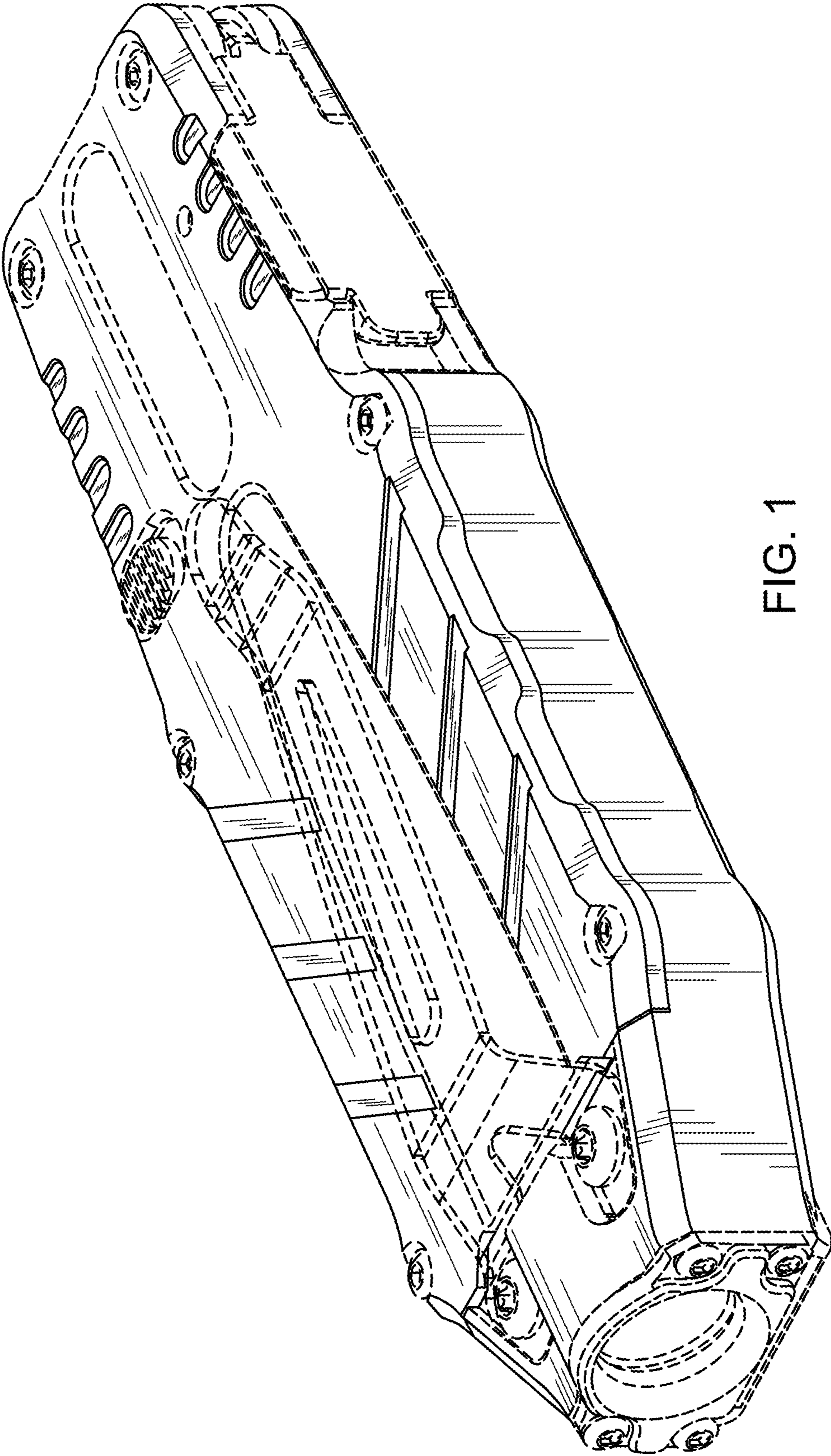


FIG. 1

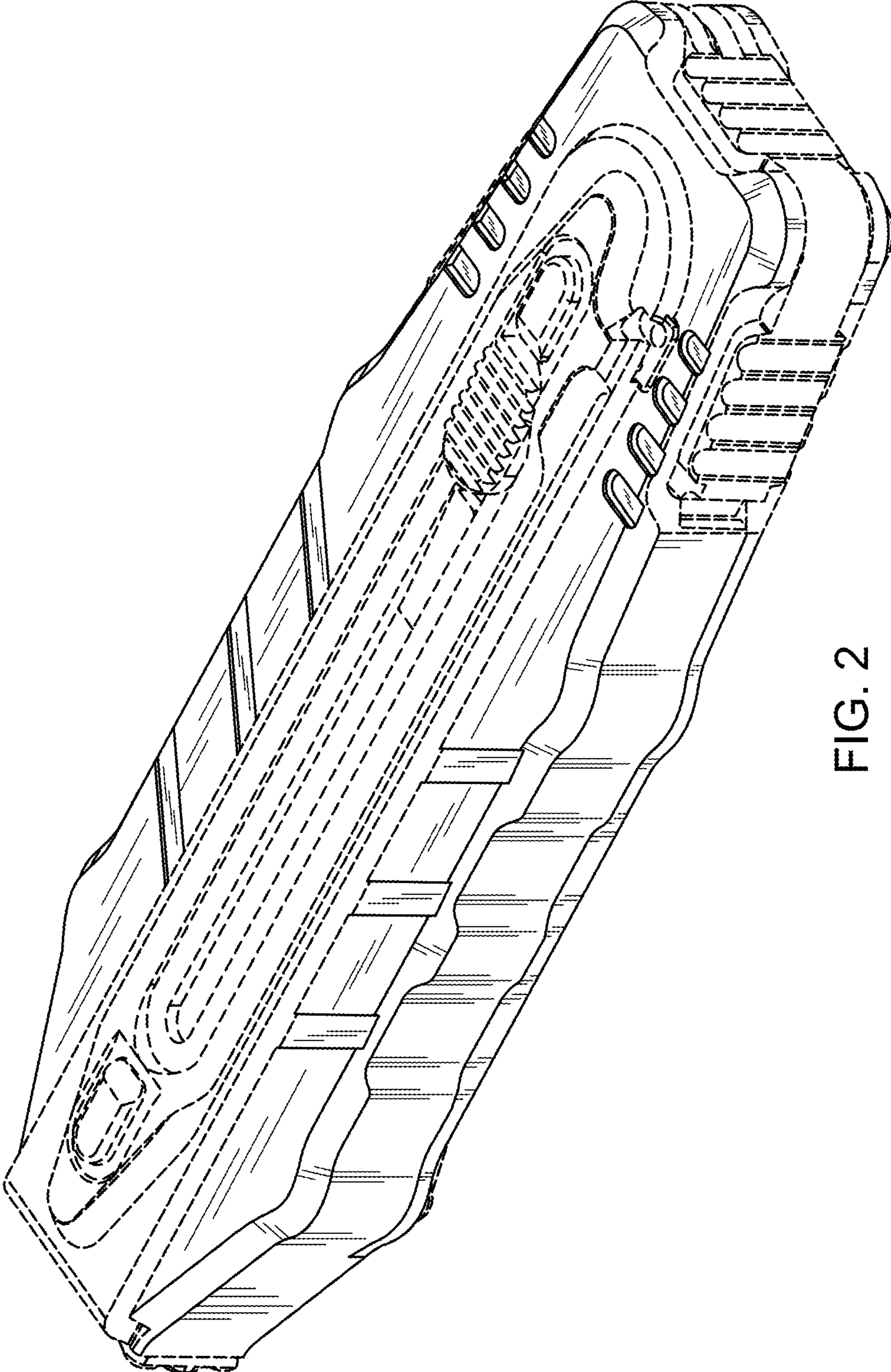


FIG. 2

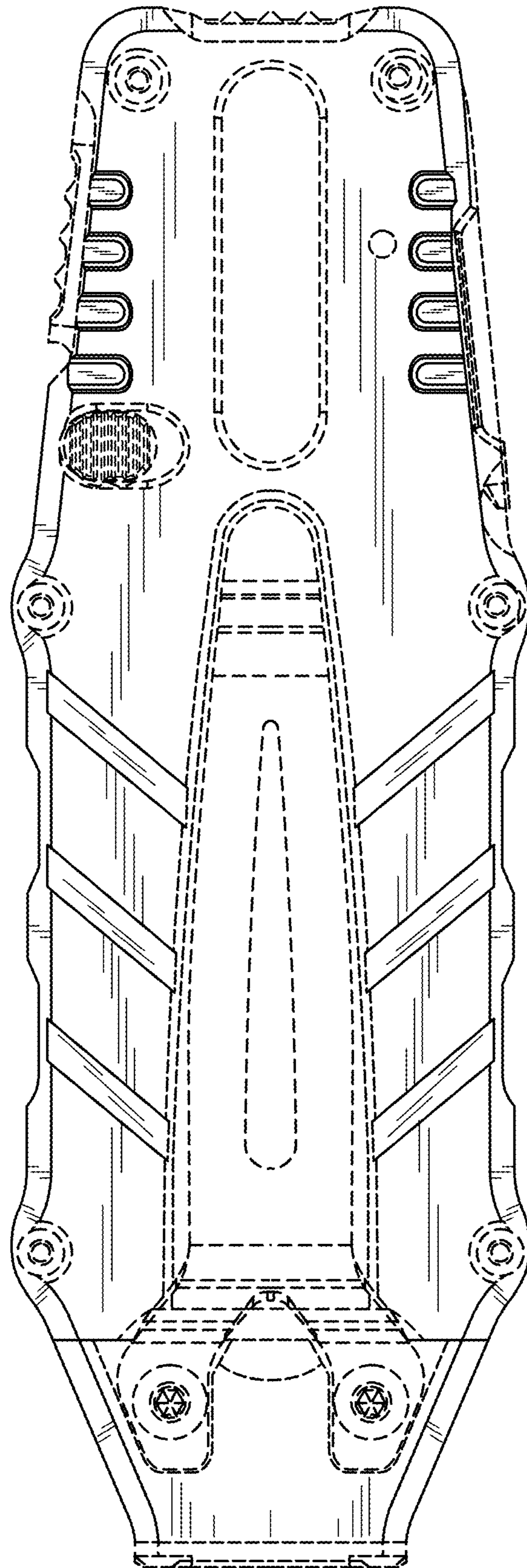


FIG. 3

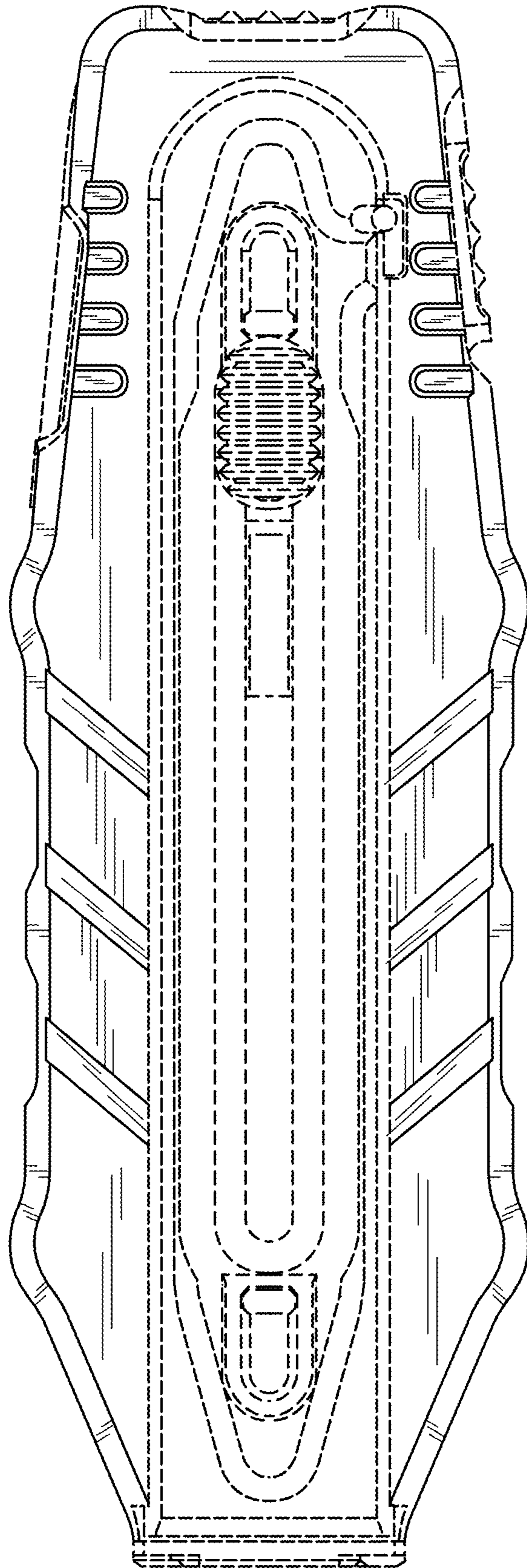


FIG. 4

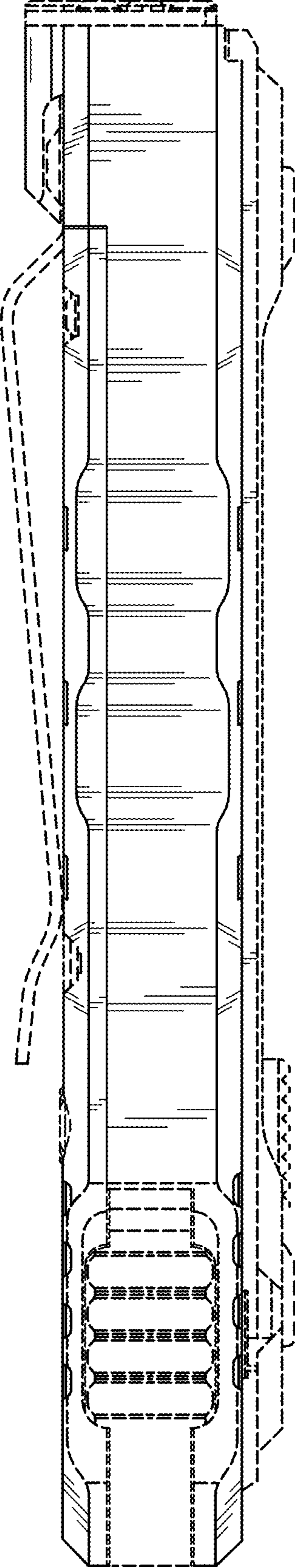


FIG. 5

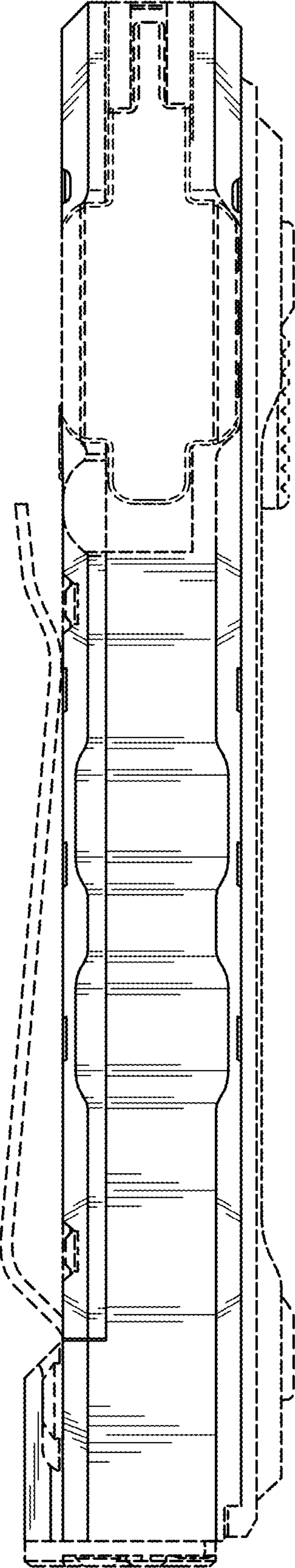


FIG. 6

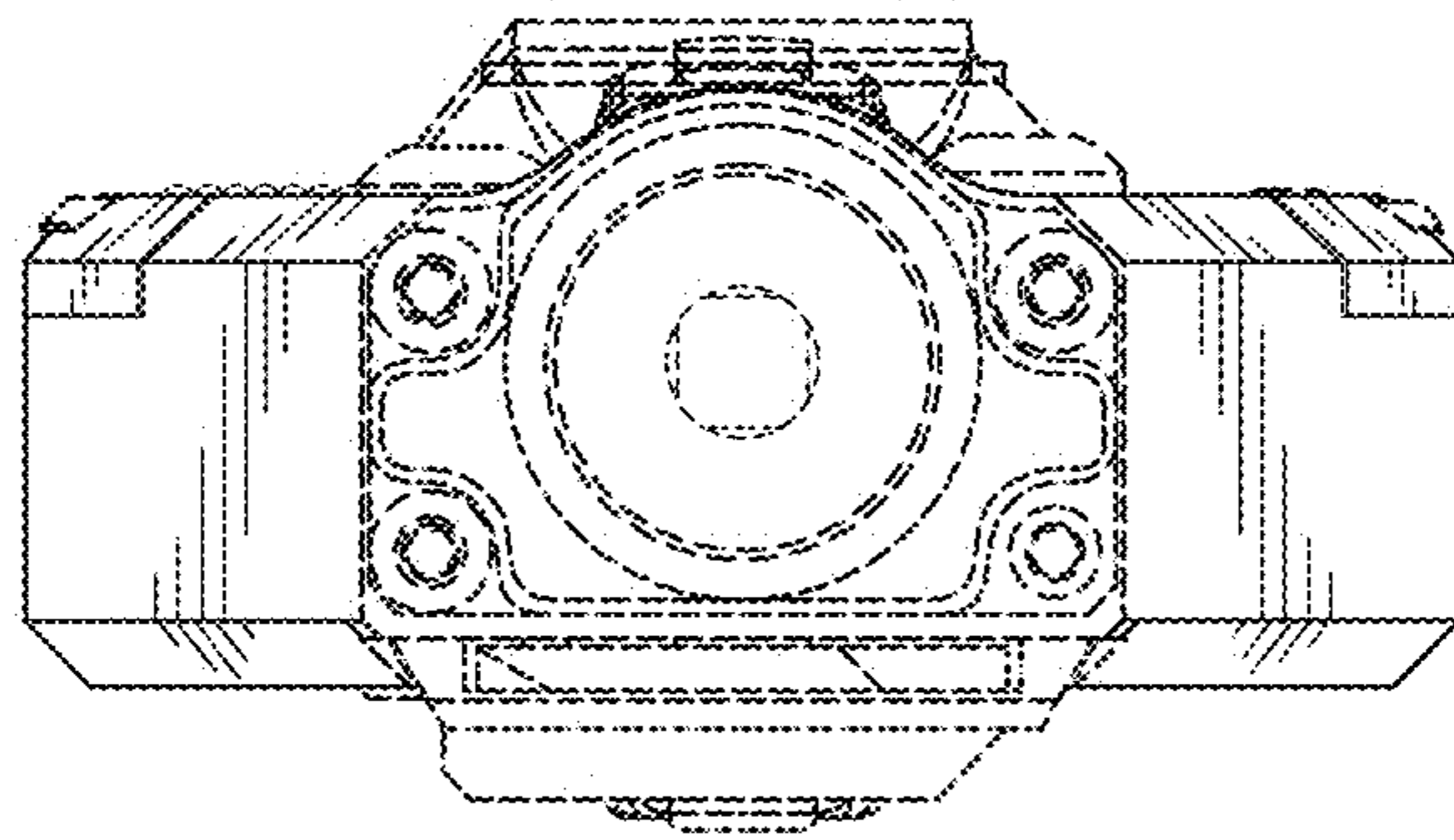


FIG. 7

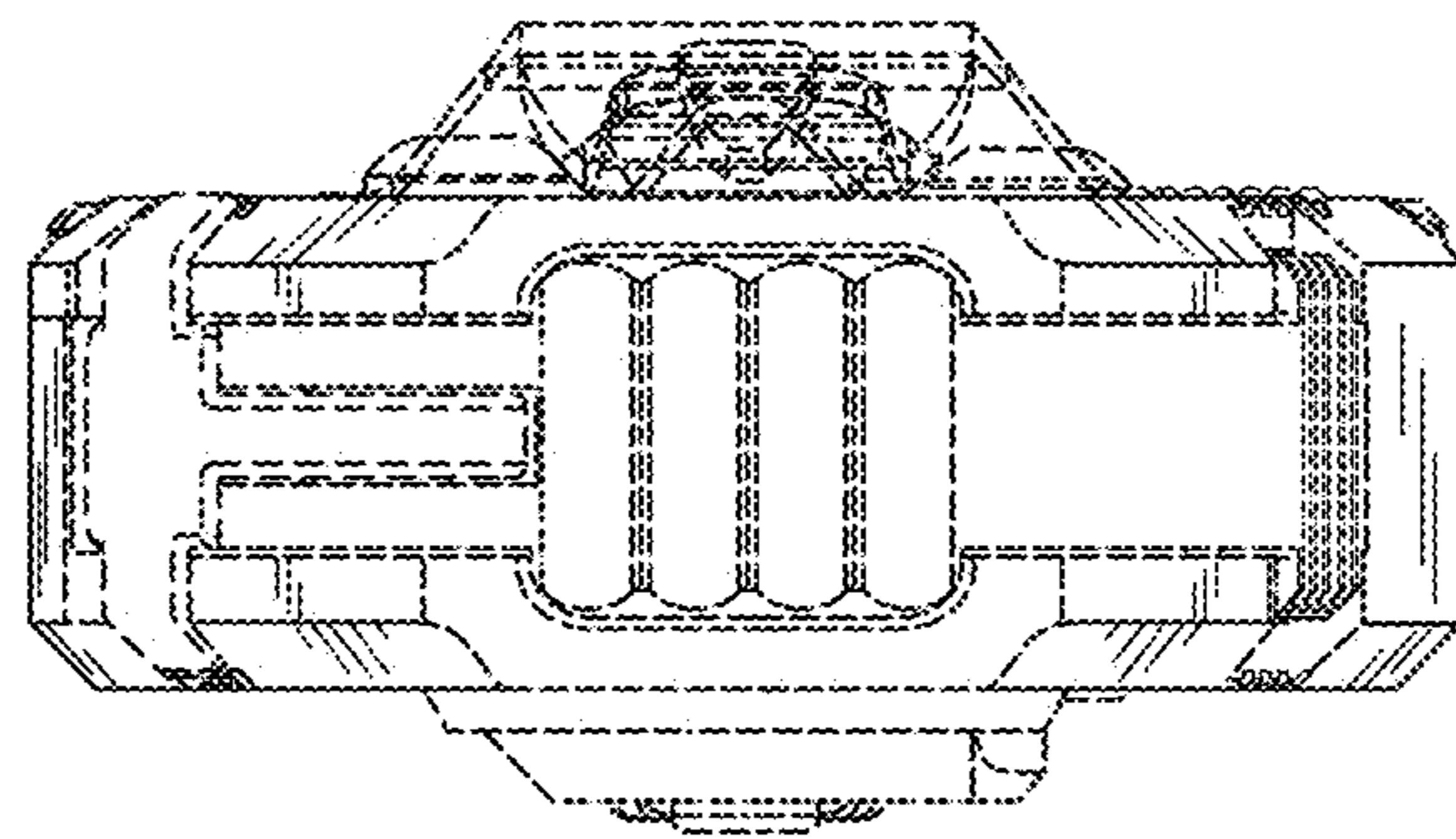


FIG. 8

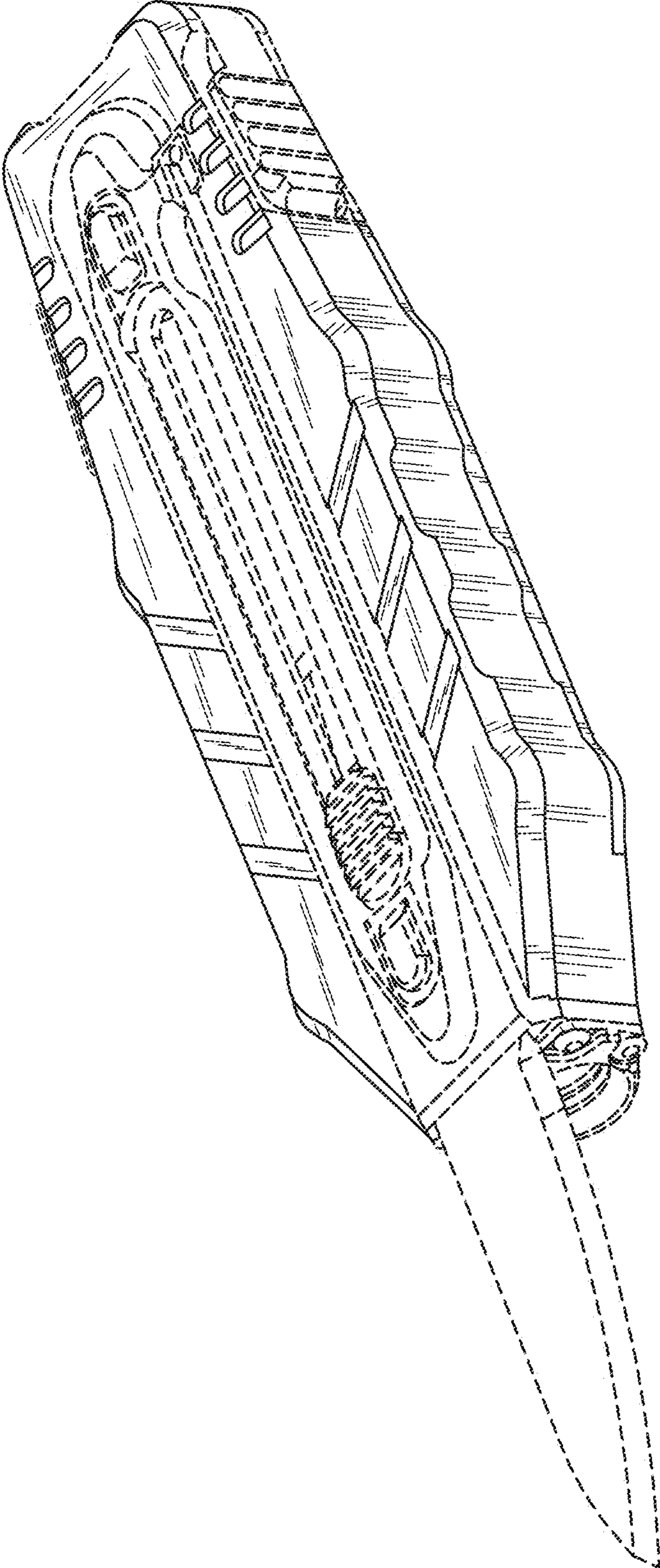


FIG. 9