



US00D838394S

(12) **United States Design Patent**
Bennett et al.

(10) **Patent No.:** **US D838,394 S**
(45) **Date of Patent:** **** Jan. 15, 2019**

(54) **VEHICLE LIGHT BAR**

(71) Applicant: **Omix-Ada, Inc.**, Suwanee, GA (US)
(72) Inventors: **Patrick W. Bennett**, Gainesville, GA (US); **Christopher D. Van Buren**, Charlotte, NC (US)
(73) Assignee: **OMIX-ADA, INC.**, Sunwanee, GA (US)

(**) Term: **15 Years**

(21) Appl. No.: **29/580,365**

(22) Filed: **Oct. 7, 2016**

(51) **LOC (11) Cl.** **26-06**

(52) **U.S. Cl.**
USPC **D26/35**

(58) **Field of Classification Search**
USPC D10/104.1, 109.1, 109.2, 110, 111, D10/114.1-114.8; D26/28, 35, 36, 102, D26/104, 118, 120, 122; D12/401, 406, D12/412, 414, 190
CPC F21W 2101/02; F21W 2101/10; F21W 2101/14
See application file for complete search history.

(56) **References Cited**

U.S. PATENT DOCUMENTS

D265,815 S *	8/1982	Francis	D12/412
D295,084 S *	4/1988	Weber	D12/222
D306,848 S *	3/1990	Macor	D12/190
D317,428 S *	6/1991	Carr	D10/114.1
D347,902 S *	6/1994	Stutts	D12/222
D639,231 S *	6/2011	Walsh	D12/414
D763,170 S *	8/2016	Marankie	D12/414
2008/0019141 A1 *	1/2008	Helms	B60Q 1/0483 362/544
2009/0161377 A1 *	6/2009	Helms	B60Q 1/0483 362/493

OTHER PUBLICATIONS

50 in Curved LED Light Bar Upper Windshield Mounting Brackets for (84-01 XJ Cherokee), [http://www.roughcountry.com/jeep-upper-windshield-light-bar-mounts- . . .](http://www.roughcountry.com/jeep-upper-windshield-light-bar-mounts-...), Aug. 12, 2016.
Amazon.com: Eyourlife 2007-2014 Jeep Wrangler JK 52" Curved Light bar Windshield Mounting Brackets with Spot; [https://www.amazon.com/Eyourlife-2007-2014-Wrangler-Windshield-m . . .](https://www.amazon.com/Eyourlife-2007-2014-Wrangler-Windshield-m...); Aug. 12, 2016.
Photographs Nos. 1-26.

* cited by examiner

Primary Examiner — George D. Kirschbaum
Assistant Examiner — Joseph J Kukella
(74) *Attorney, Agent, or Firm* — The Dobrusin Law Firm, P.C.; Daniel P. Aleksynas

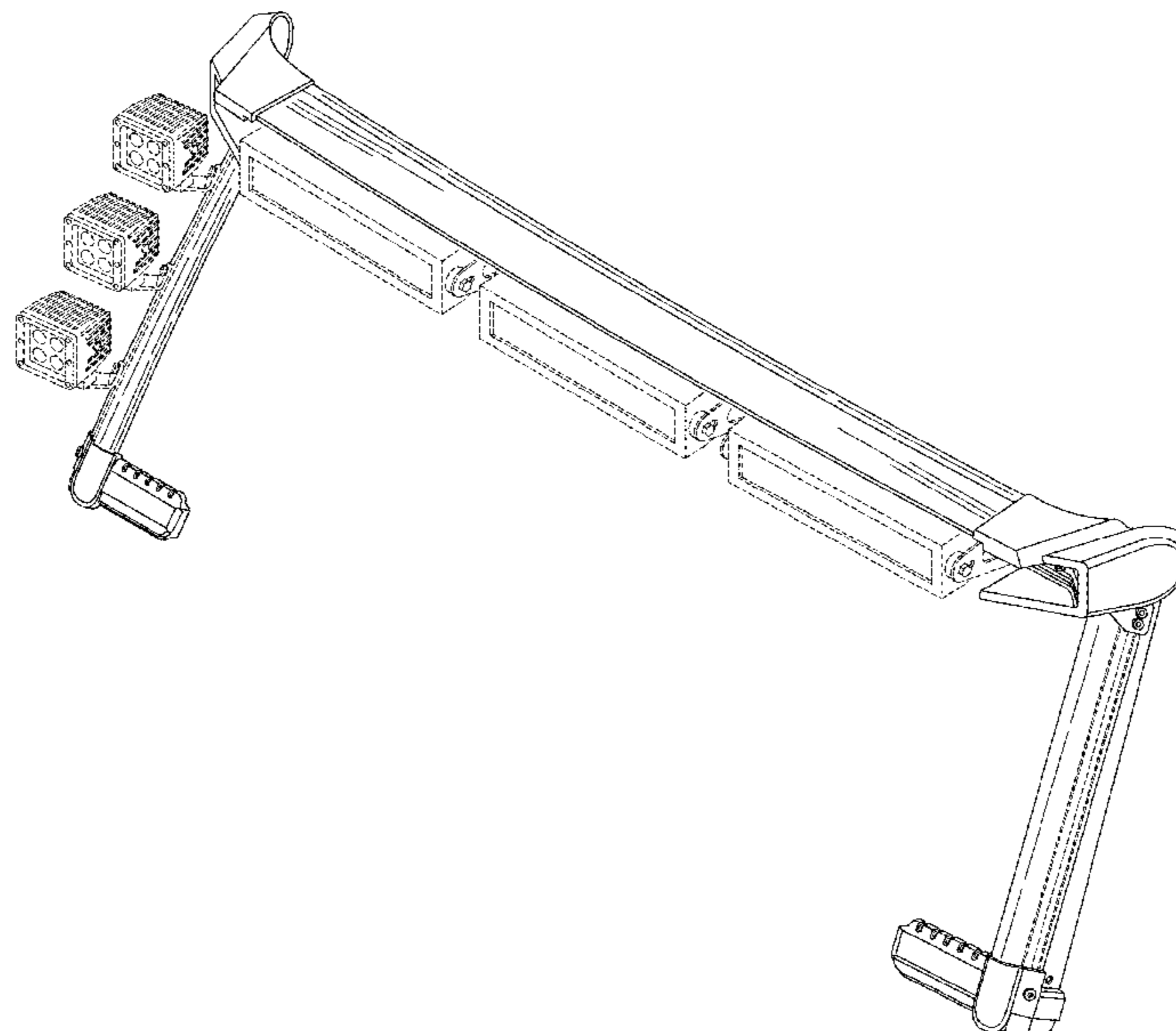
(57) **CLAIM**

The ornamental design for a vehicle light bar, as shown and described.

DESCRIPTION

FIG. 1 is a perspective view of a vehicle light bar that embodies our ornamental design
FIG. 2 is a left side view thereof, the right side view being a mirror image of the left side view.
FIG. 3 is a top view thereof.
FIG. 4 is a bottom view thereof.
FIG. 5 is a front view thereof.
FIG. 6 is a back view thereof; and,
FIG. 7 is a perspective view of the vehicle light bar shown attached to a vehicle.
The In the drawings, the broken lines depict environmental subject matter that forms no part of the claimed design.

1 Claim, 5 Drawing Sheets



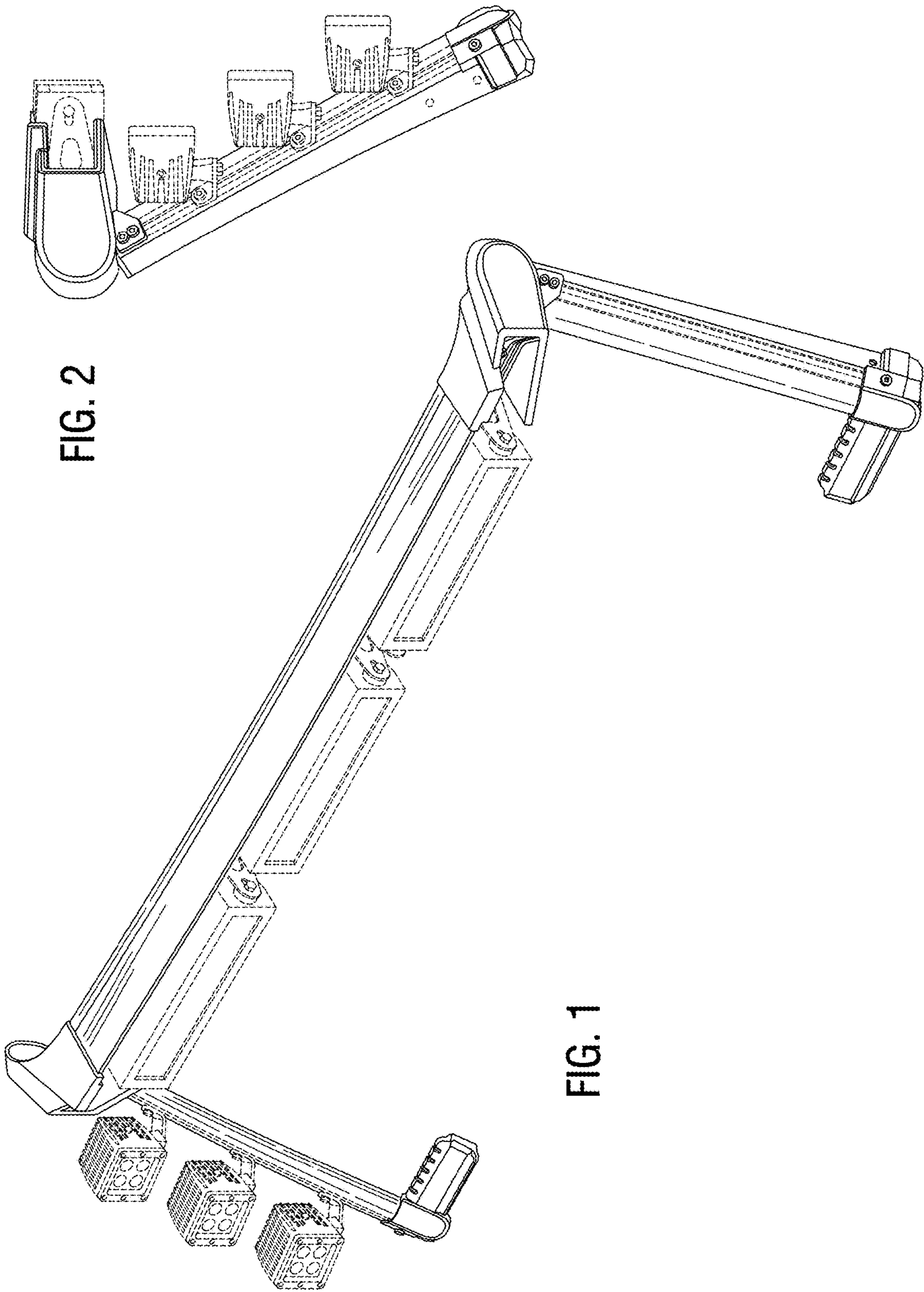


FIG. 2

FIG. 1

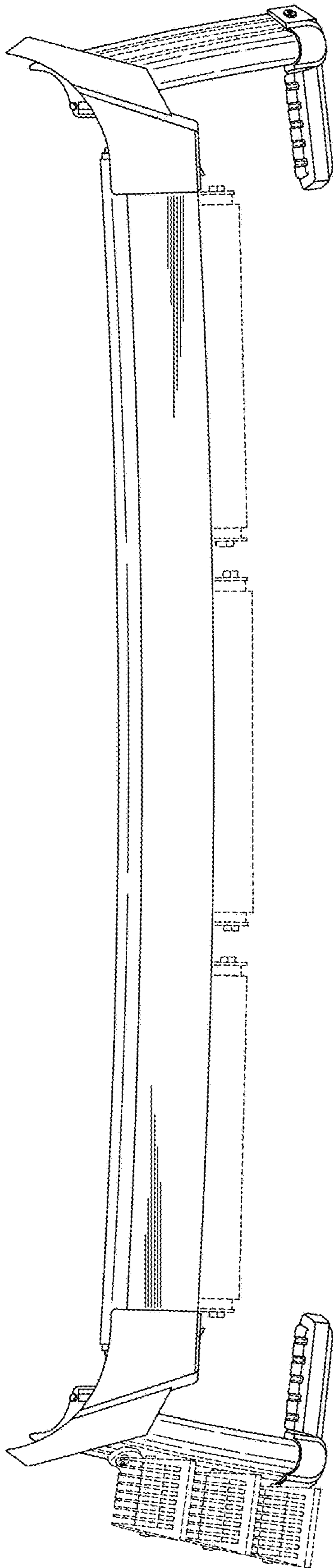


FIG. 3

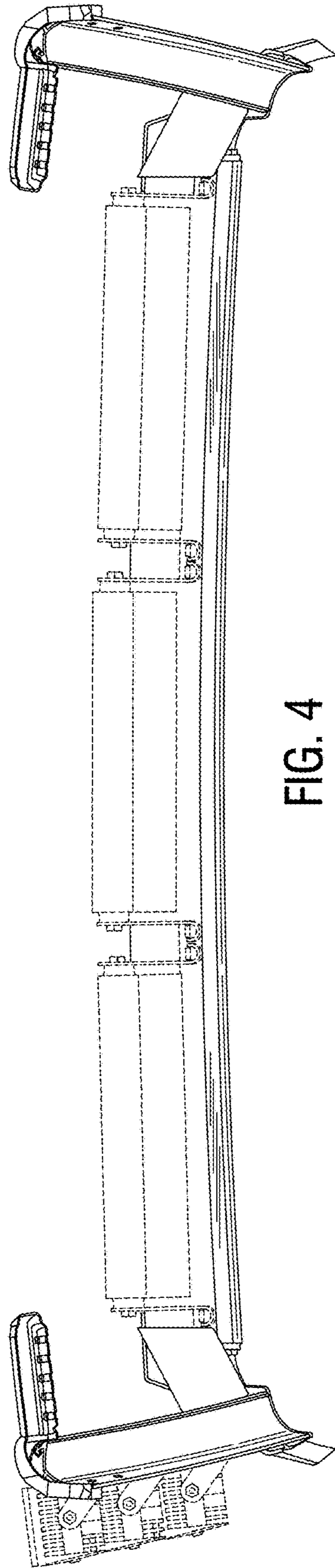


FIG. 4

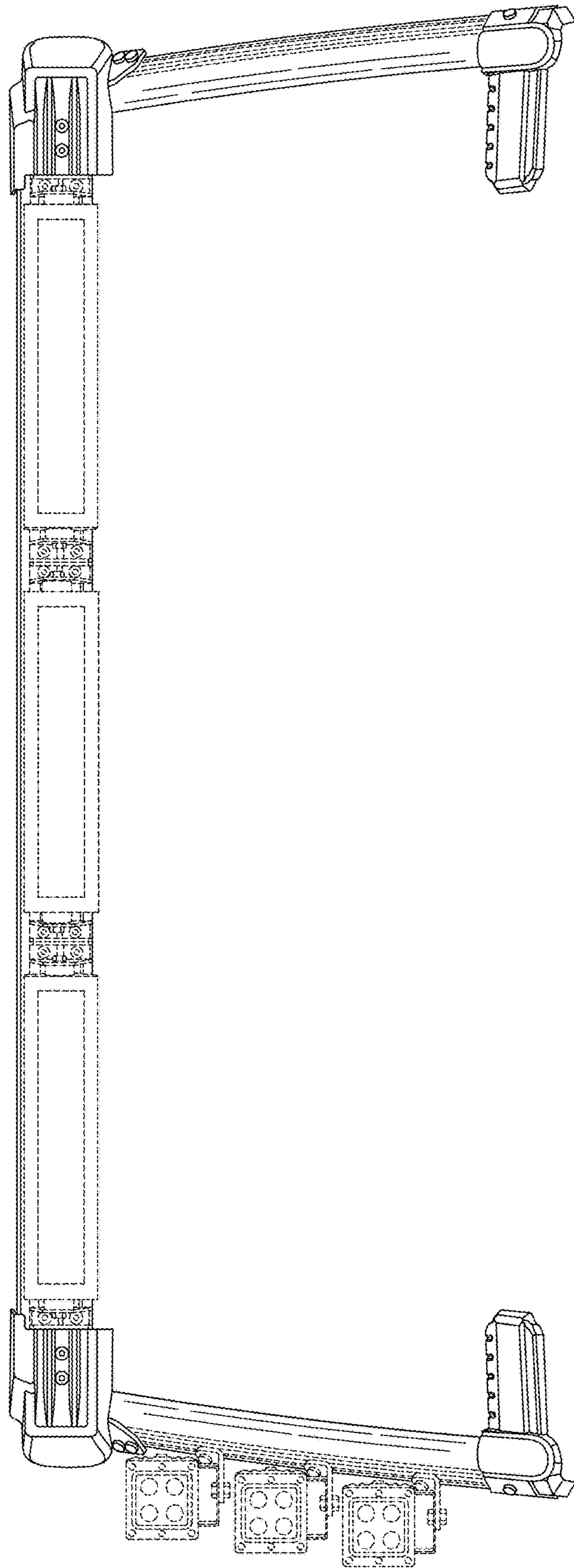


FIG. 5

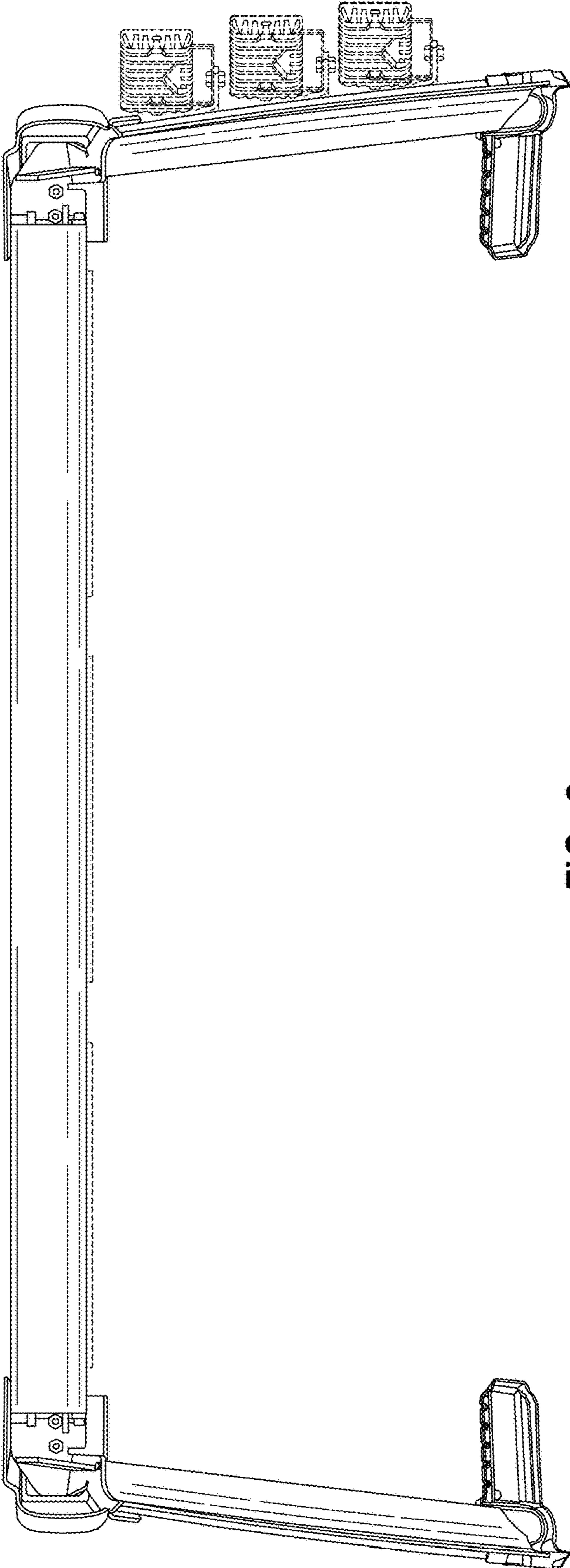


FIG. 6

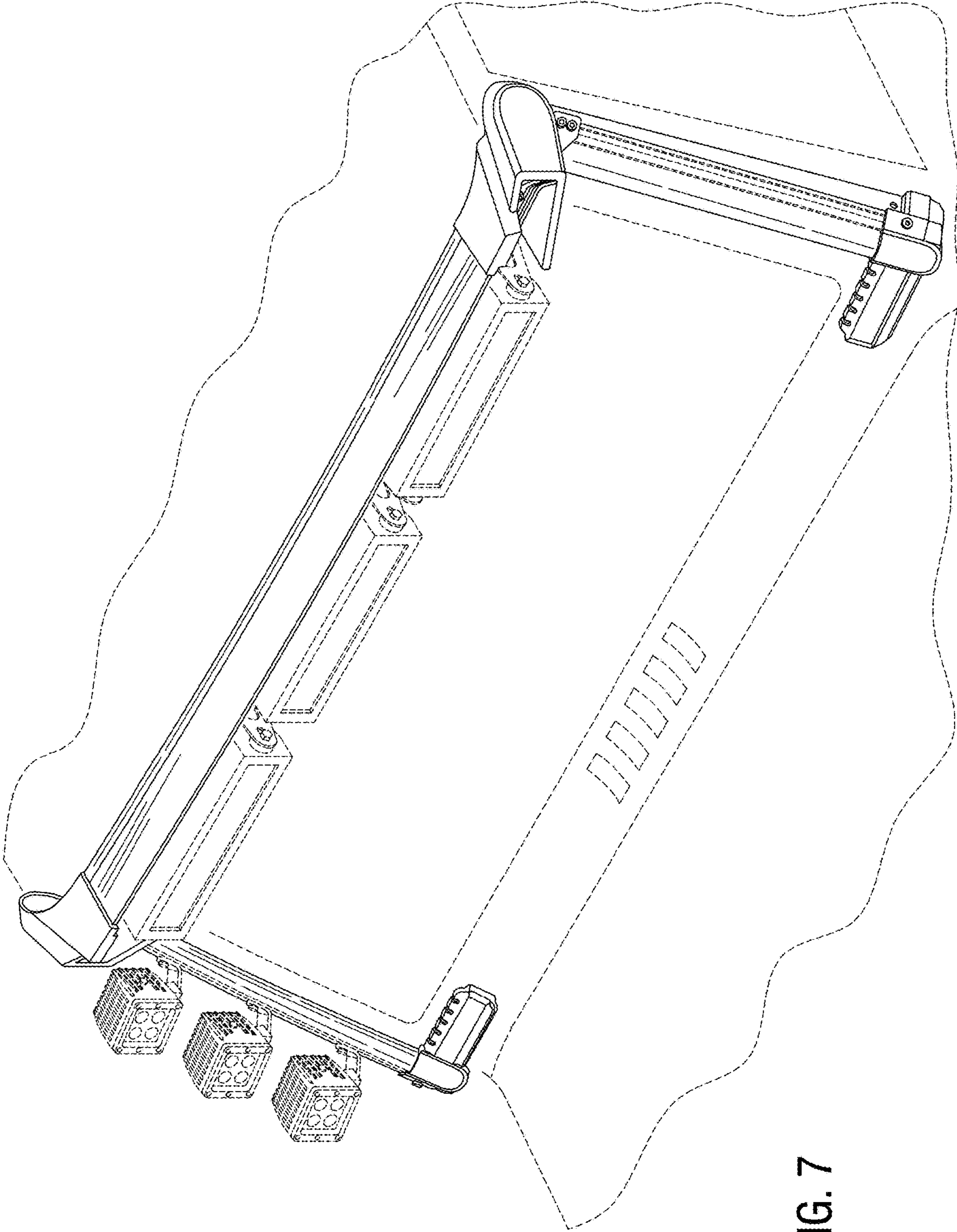


FIG. 7