



US00D838389S

(12) **United States Design Patent**
Chen

(10) **Patent No.:** **US D838,389 S**

(45) **Date of Patent:** **** Jan. 15, 2019**

(54) **LED LAMP**

(56) **References Cited**

(71) Applicant: **PHILIPS LIGHTING HOLDING B.V.**, Eindhoven (NL)

(72) Inventor: **Xian Yun Chen**, Shanghai (CN)

(73) Assignee: **PHILIPS LIGHTING HOLDING B.V.**, Eindhoven (NL)

(**) Term: **15 Years**

(21) Appl. No.: **29/627,818**

(22) Filed: **Nov. 29, 2017**

(30) **Foreign Application Priority Data**

May 30, 2017 (EM) 004023323-0001

(51) **LOC (11) Cl.** **26-04**

(52) **U.S. Cl.**
USPC **D26/2**

(58) **Field of Classification Search**
USPC D26/1-4
CPC H01R 5/00; H01R 13/46; H01R 13/514;
H01R 31/048; H01J 5/00; H01J 5/16;
H01J 15/00; H01J 5/48; H01J 5/50; H01J
19/54; F21V 5/00; F21V 13/00; F21V
29/004

See application file for complete search history.

U.S. PATENT DOCUMENTS

D739,967 S	*	9/2015	Qin	D26/2
D743,586 S	*	11/2015	Bosua	D26/2
D750,287 S	*	2/2016	Cai	D26/2
D759,858 S	*	6/2016	Li	D26/2
D780,956 S	*	3/2017	Kwong	D26/2
D794,838 S	*	8/2017	Chang	D26/2

* cited by examiner

Primary Examiner — Marcus A Jackson

(57) **CLAIM**

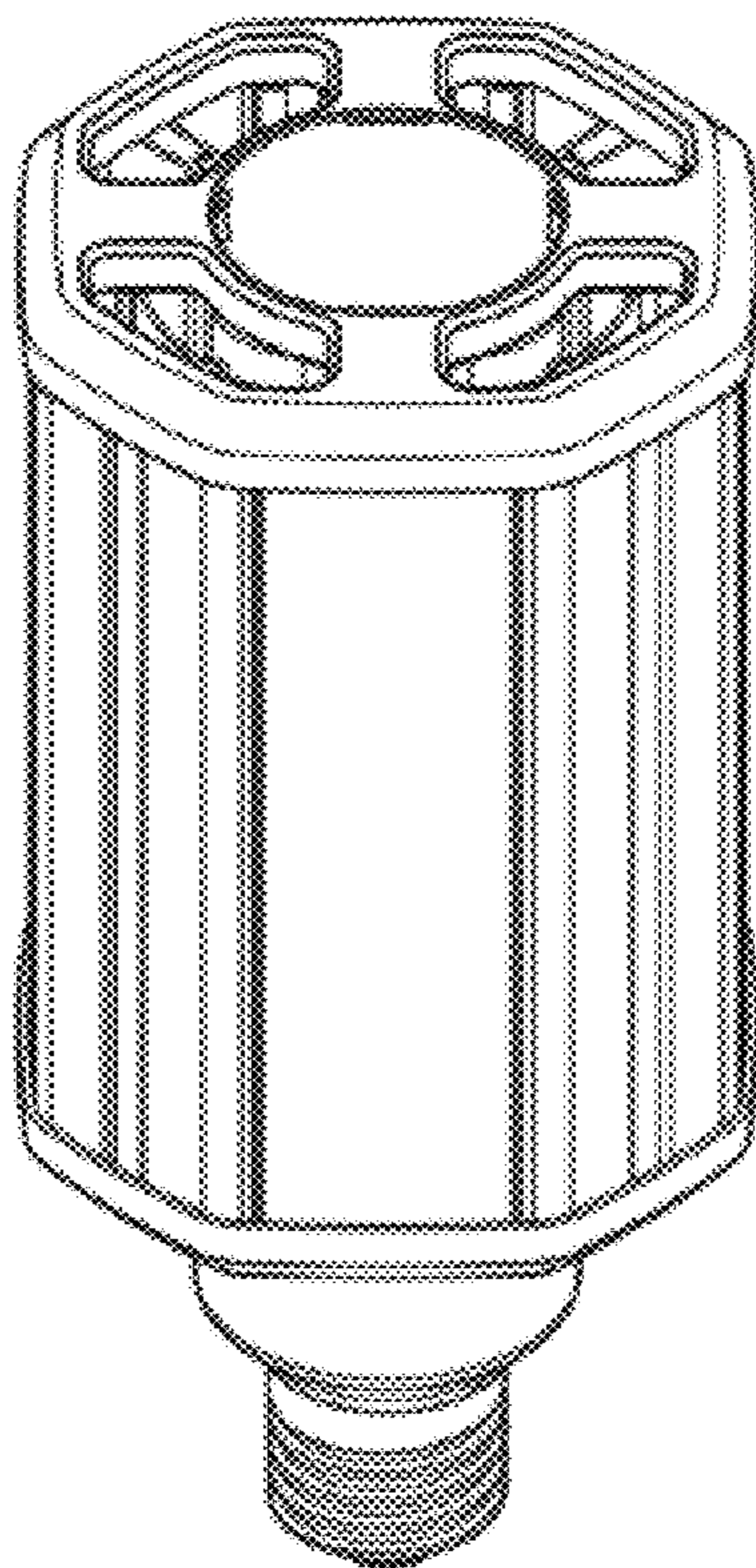
The ornamental design for a “LED lamp,” as shown and described.

DESCRIPTION

FIG. 1 is a perspective view showing my design; FIG. 2 is a front elevational view thereof; FIG. 3 is a rear elevational view thereof; FIG. 4 is a right side elevational view thereof; FIG. 5 is a left side elevational view thereof; FIG. 6 is a top plan view thereof; and, FIG. 7 is a bottom plan view thereof.

The dash-dot-dash broken lines shown represent the bounds of the claim and forms no part thereof and the dashed broken lines shown therein illustrate portions of the LED lamp that form no part of the claimed design.

1 Claim, 4 Drawing Sheets



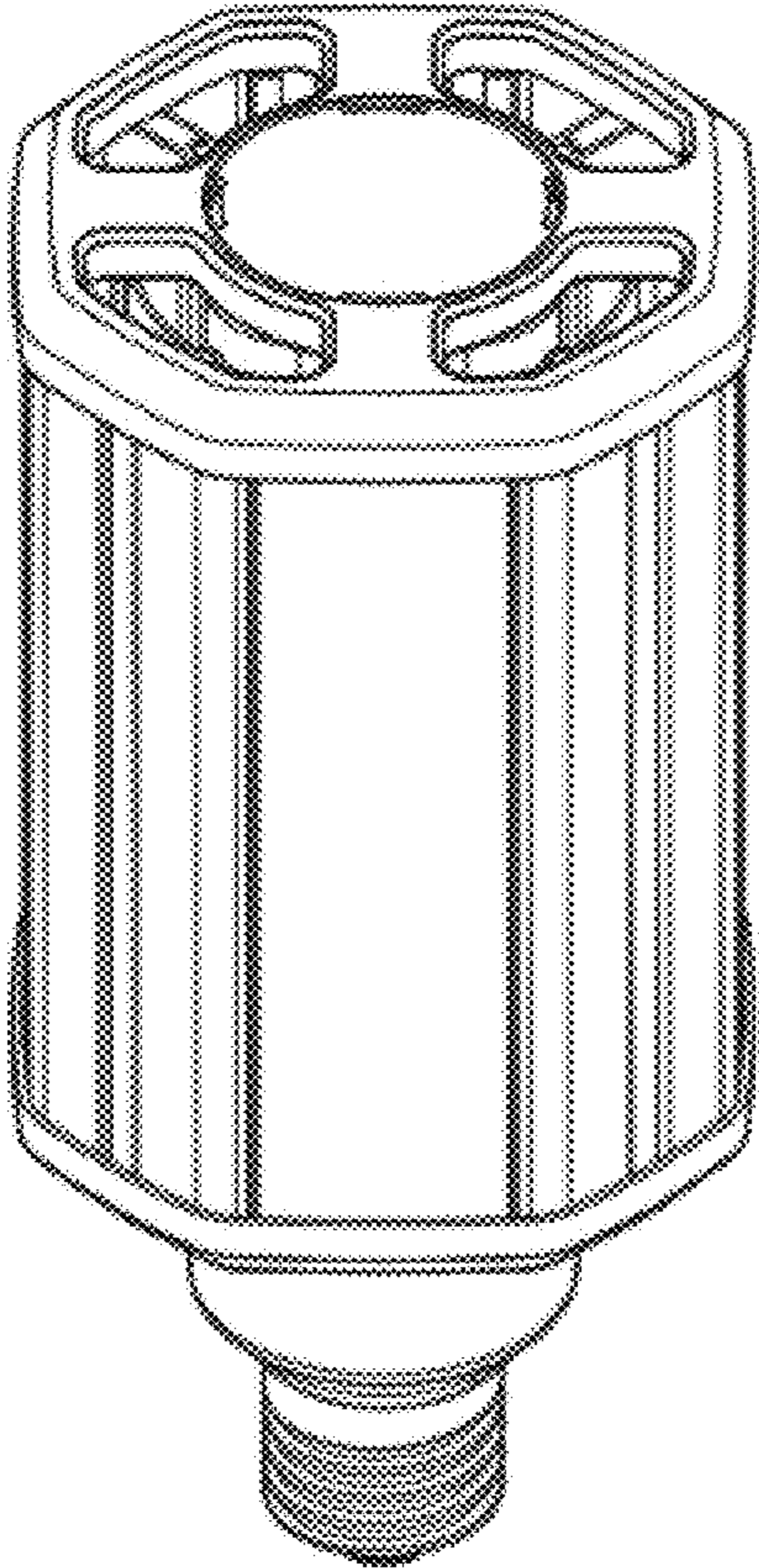


FIG. 1

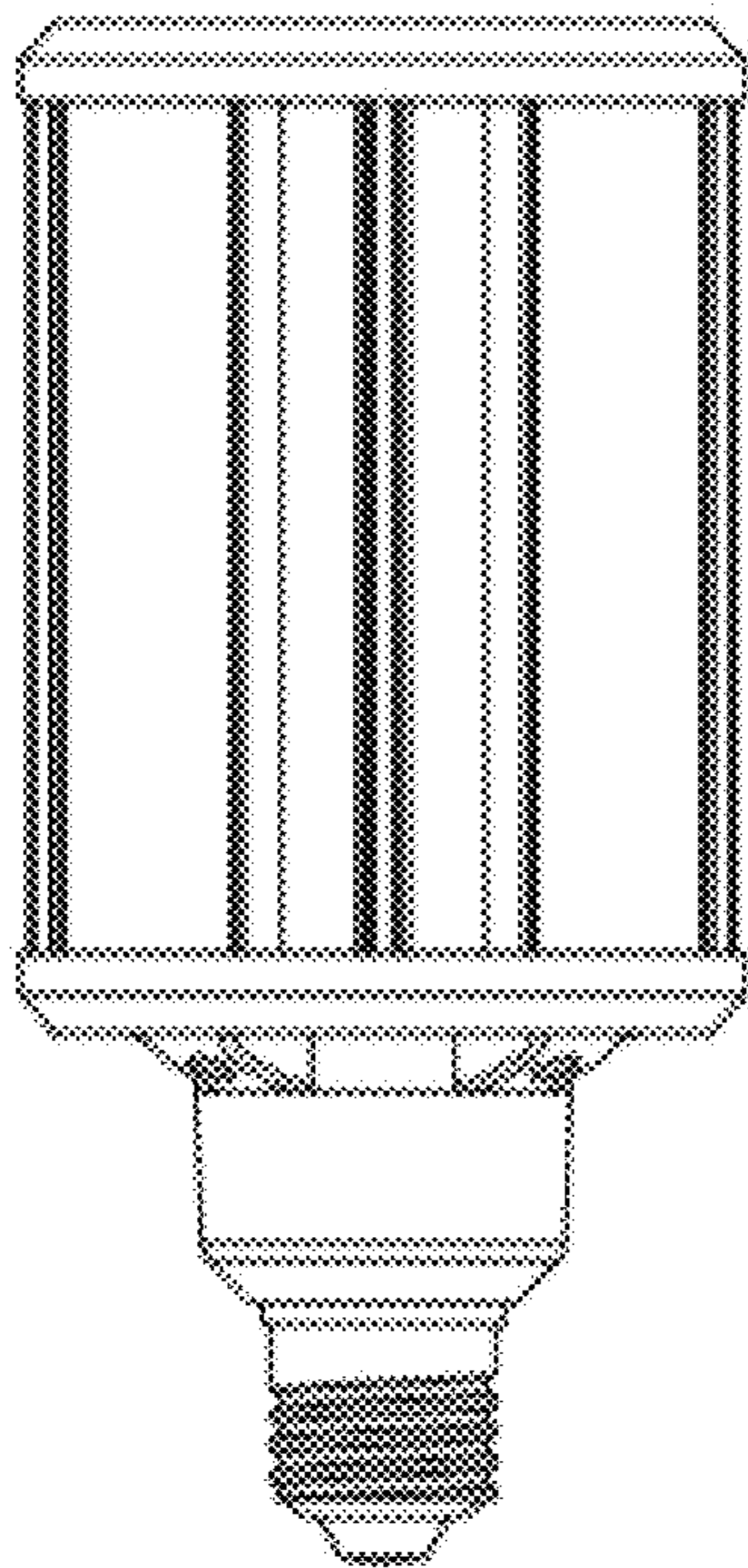


FIG. 2

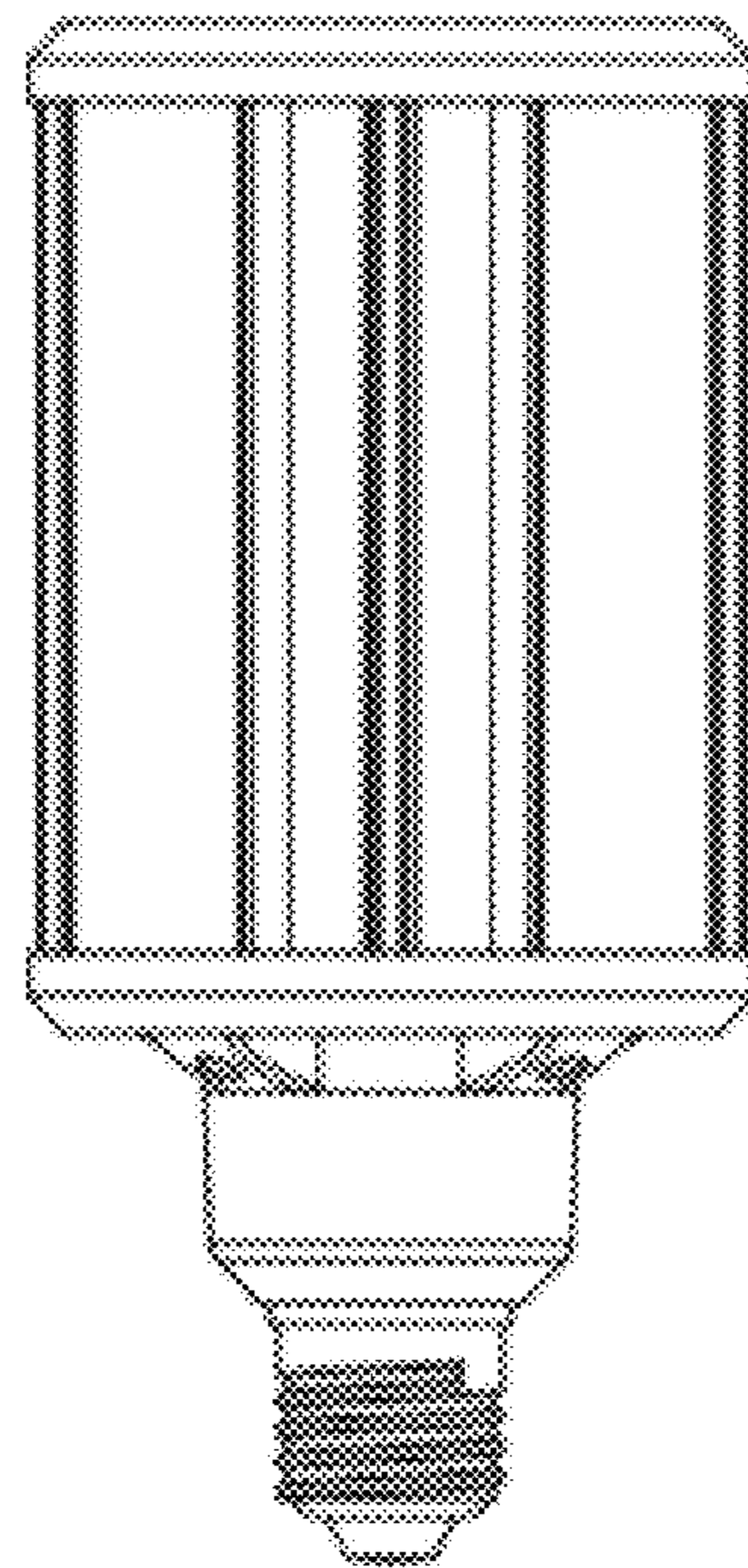


FIG. 3

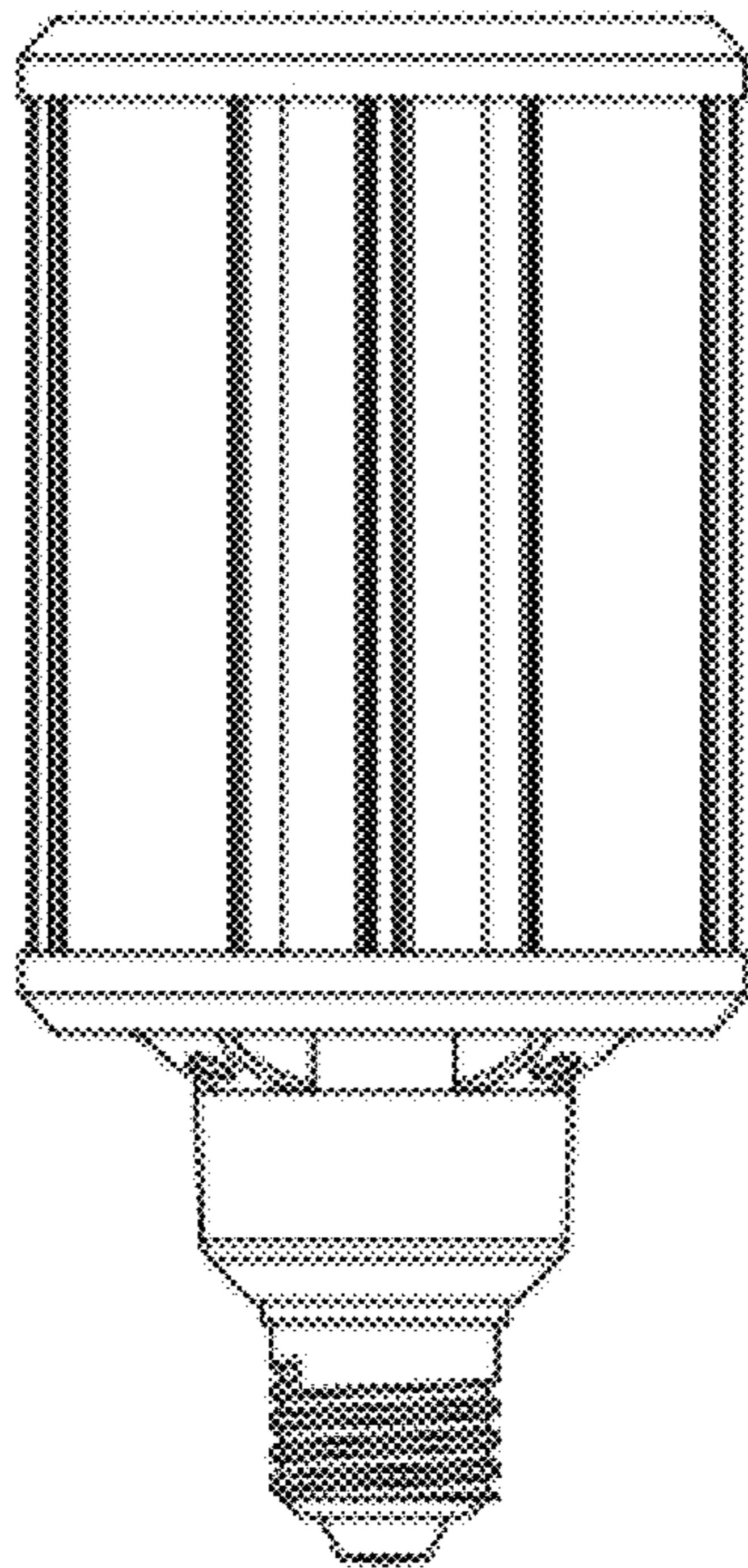


FIG. 4

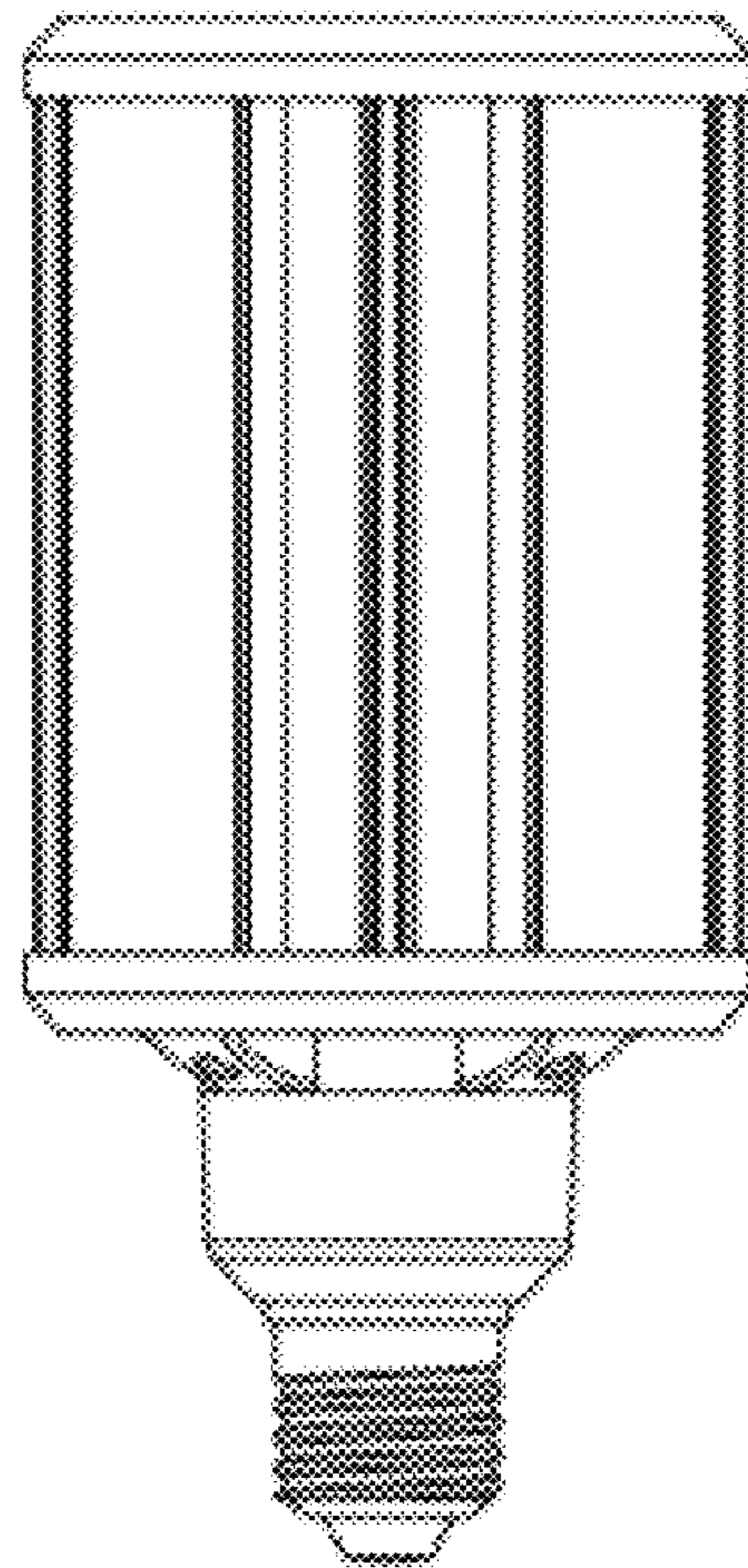


FIG. 5

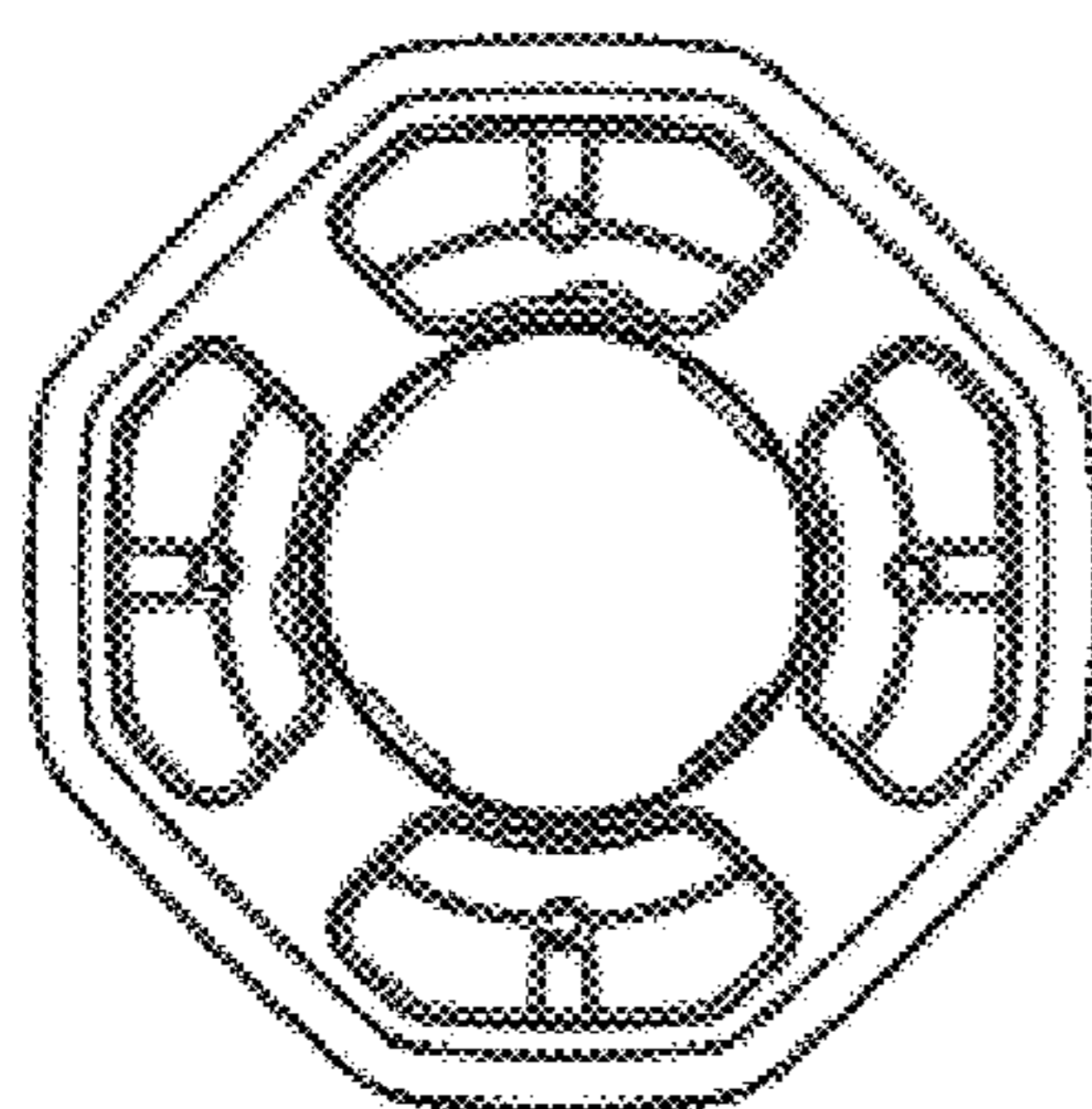


FIG. 6

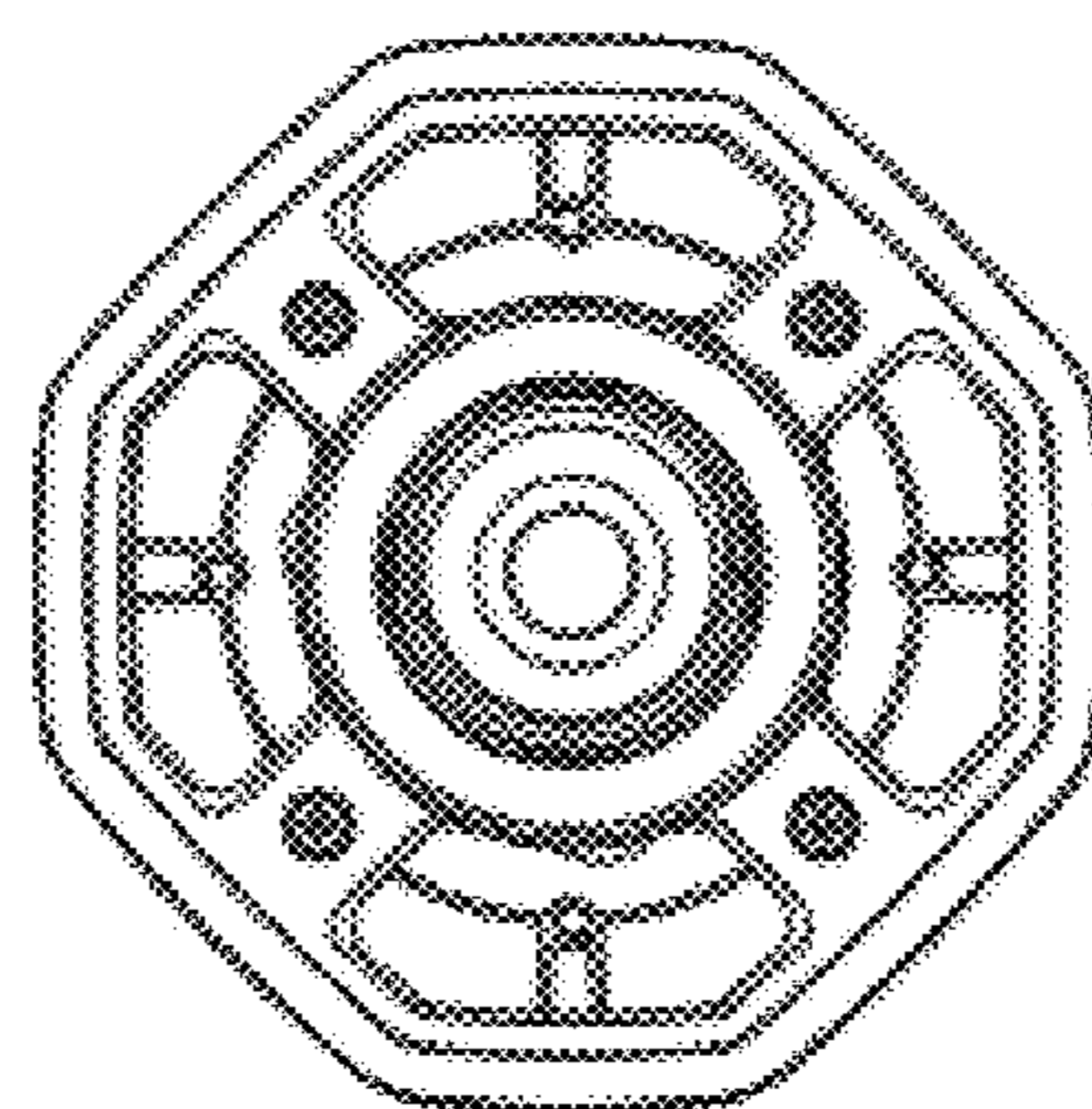


FIG. 7