



US00D838387S

(12) **United States Design Patent**
DeMore

(10) **Patent No.:** **US D838,387 S**

(45) **Date of Patent:** **** Jan. 15, 2019**

(54) **TOOL BIN FOR A LADDER**

2011/0168493 A1* 7/2011 Clark E06C 7/14
182/129

(71) Applicant: **Steven A. DeMore**, Menomonee Falls,
WI (US)

* cited by examiner

(72) Inventor: **Steven A. DeMore**, Menomonee Falls,
WI (US)

Primary Examiner — Cynthia Ramirez

Assistant Examiner — Gino Colan

(**) Term: **15 Years**

(74) *Attorney, Agent, or Firm* — Dobbin IP Law P.C.;
Geoffrey E. Dobbin

(21) Appl. No.: **29/617,181**

(57) **CLAIM**

The ornamental design for a tool bin for a ladder, as shown
and described.

(22) Filed: **Sep. 12, 2017**

(51) **LOC (11) Cl.** **25-04**

DESCRIPTION

(52) **U.S. Cl.**

USPC **D25/68**

(58) **Field of Classification Search**

USPC D25/62–65, 68, 69; 182/107, 129;
248/238, 210; 220/475; 206/372, 349,
206/373; D3/905

CPC E06C 7/48; E06C 7/14; E06C 7/46; E06C
1/397; E06C 7/188; E06C 7/00; E06C
7/182

See application file for complete search history.

FIG. 1 is a perspective view of the tool bin for a ladder.
FIG. 2 is an alternate perspective view of the tool bin for a
ladder.

FIG. 3 is a further alternate perspective view of the tool bin
for a ladder.

FIG. 4 is a front elevation of the tool bin for a ladder.

FIG. 5 is a rear elevation of the tool bin for a ladder.

FIG. 6 is a side elevation of the tool bin for a ladder.

FIG. 7 is a top plan view of the tool bin for a ladder.

FIG. 8 is a bottom plan view of the tool bin for a ladder.

FIG. 9 is a sectional view of the tool bin for a ladder, taken
along line 9-9 of FIG. 6.

FIG. 10 is a sectional view of the tool bin for a ladder, taken
along line 10-10 of FIG. 7.

FIG. 11 is a sectional view of the tool bin for a ladder, taken
along line 11-11 of FIG. 7; and,

FIG. 12 is a sectional view of the tool bin for a ladder, taken
along line 12-12 of FIG. 7.

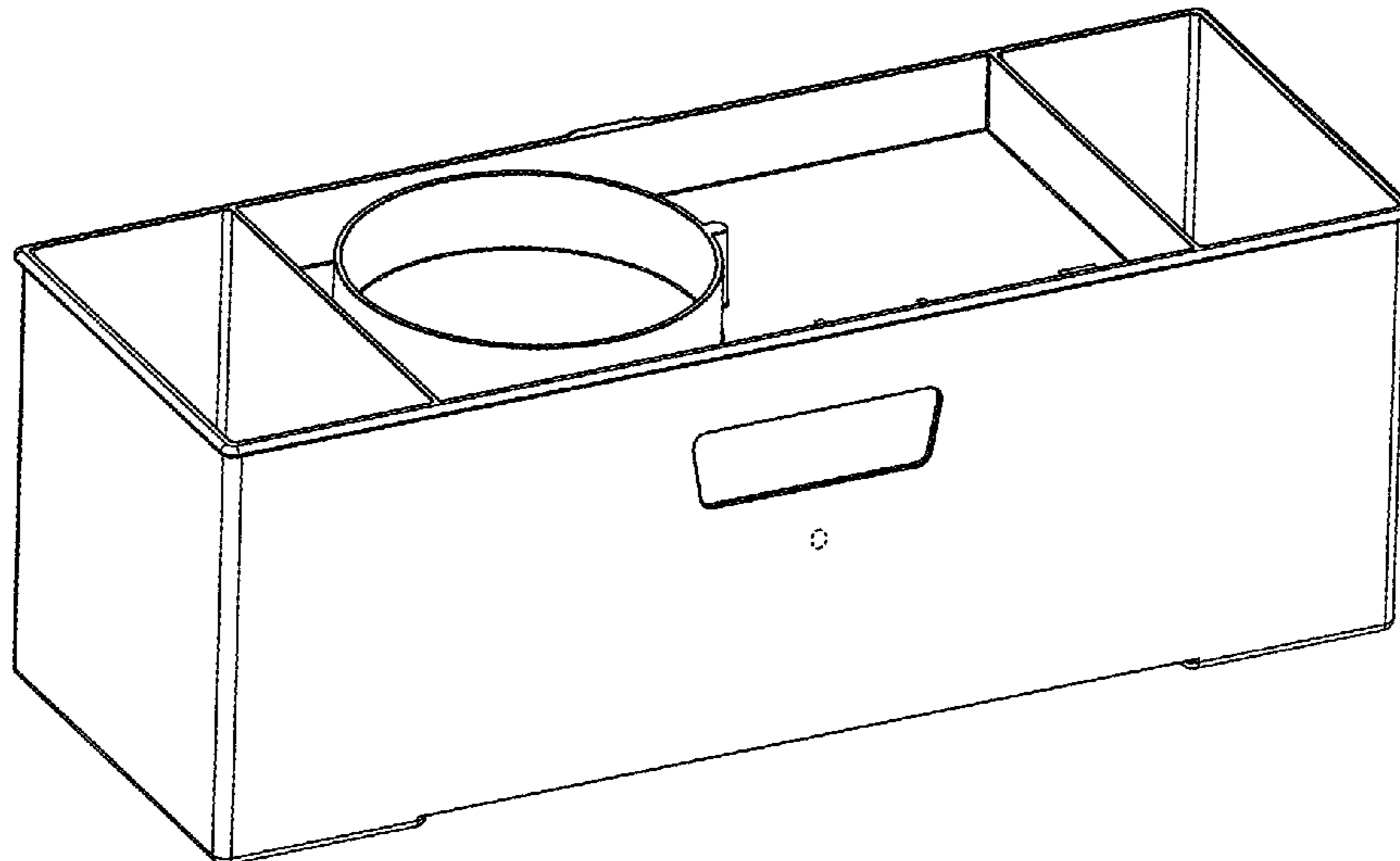
The broken lines shown in the Figures are for the purpose of
illustrating portions of the tool bin for a ladder and form no
part of the claimed design.

(56) **References Cited**

U.S. PATENT DOCUMENTS

D434,856 S *	12/2000	Yahner	D25/68
D484,251 S *	12/2003	Pruett	D25/68
D636,896 S *	4/2011	Gemma	D25/68
D735,354 S *	7/2015	Fadear	D25/68
2002/0104709 A1 *	8/2002	Hines	B25H 3/006 182/129
2009/0095568 A1 *	4/2009	Webster	E06C 7/14 182/129
2010/0025153 A1 *	2/2010	Decker	E06C 7/14 182/129

1 Claim, 8 Drawing Sheets



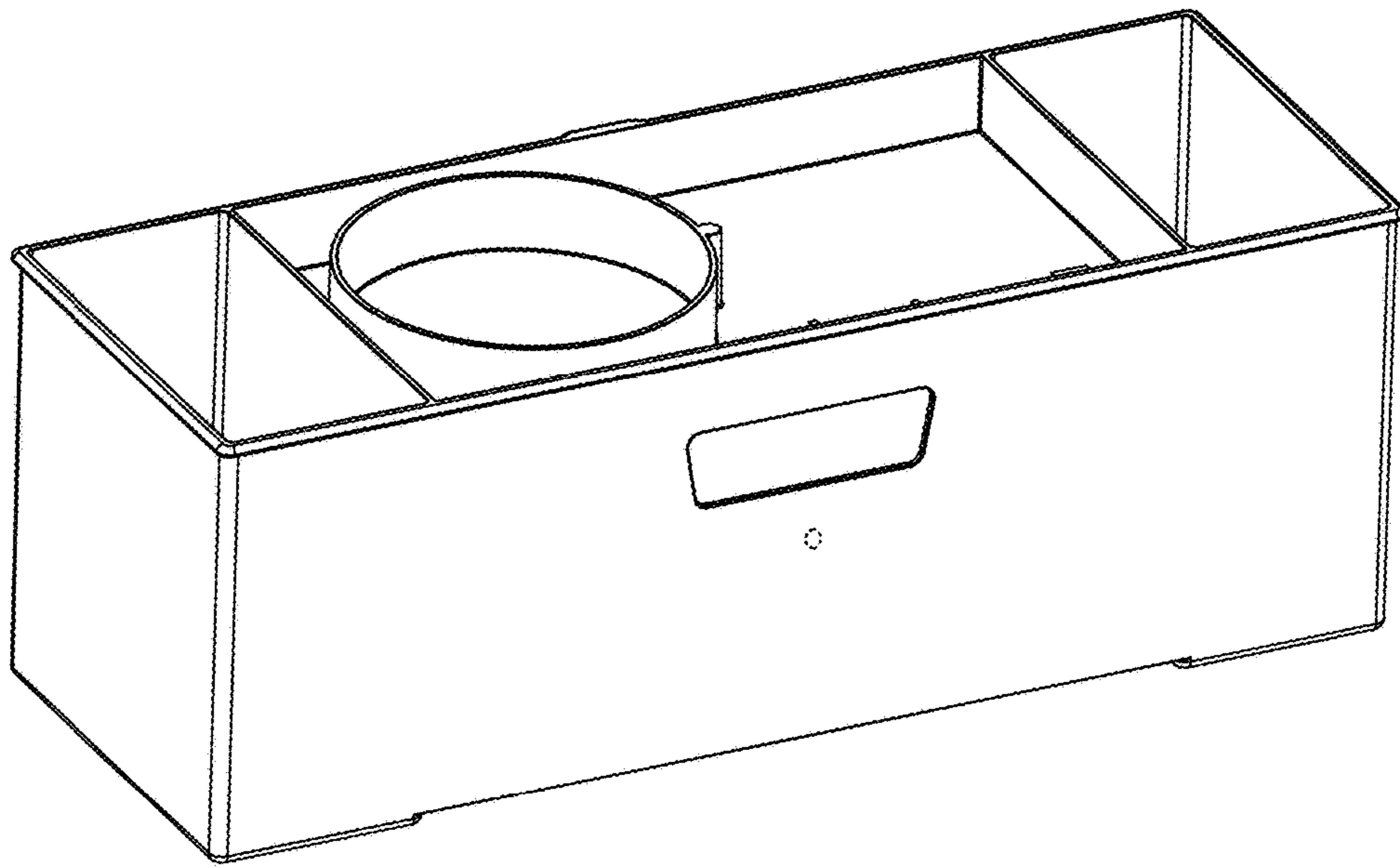


FIG. 1

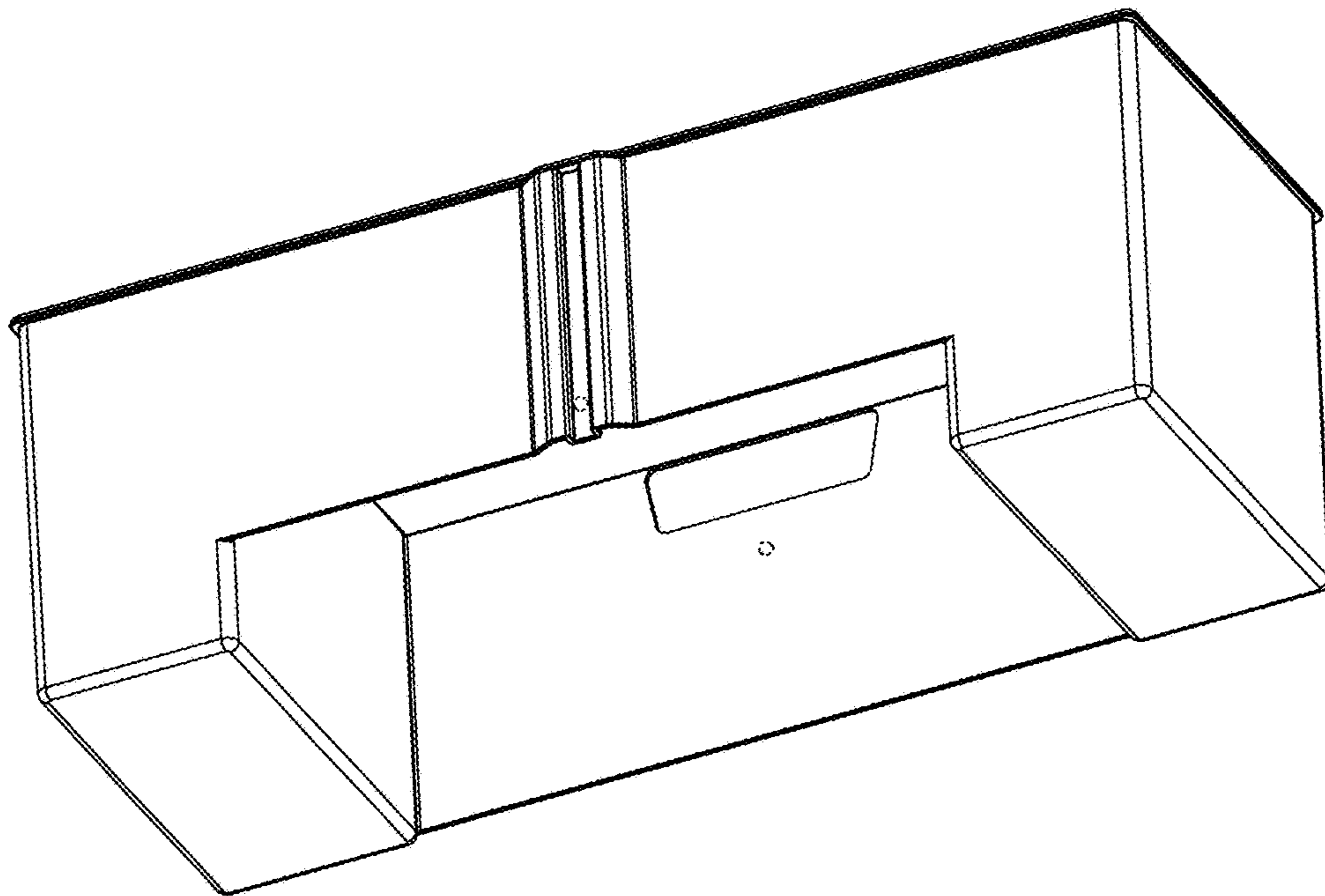


FIG. 2

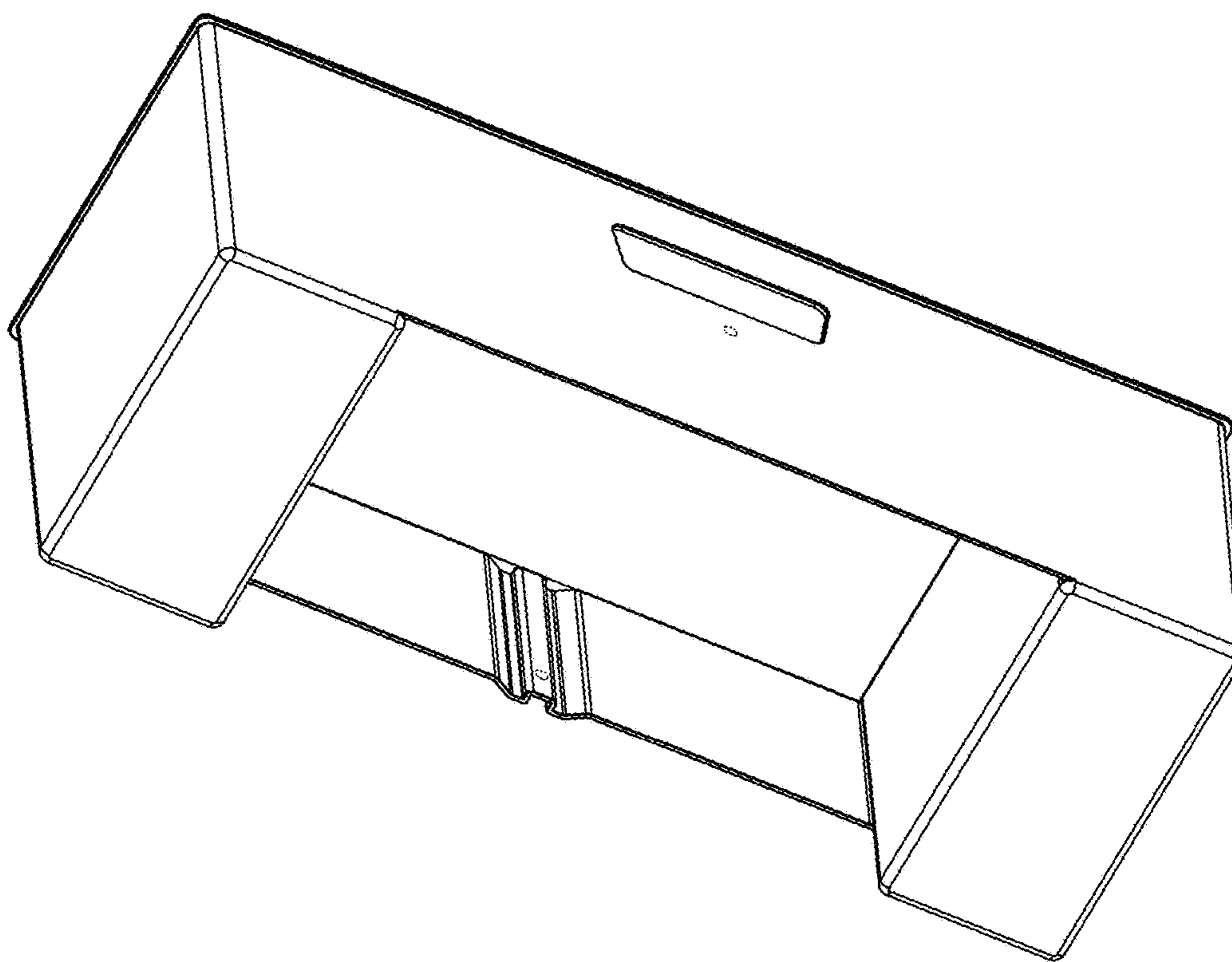


FIG. 3

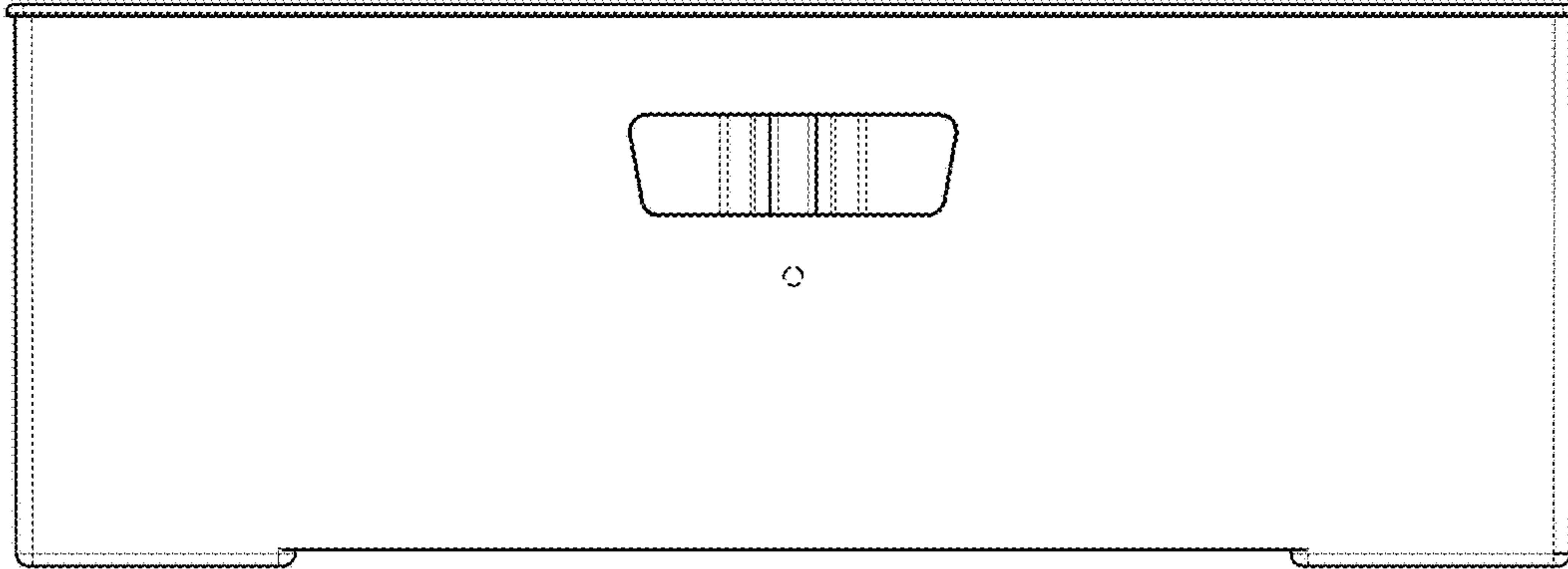


FIG. 4

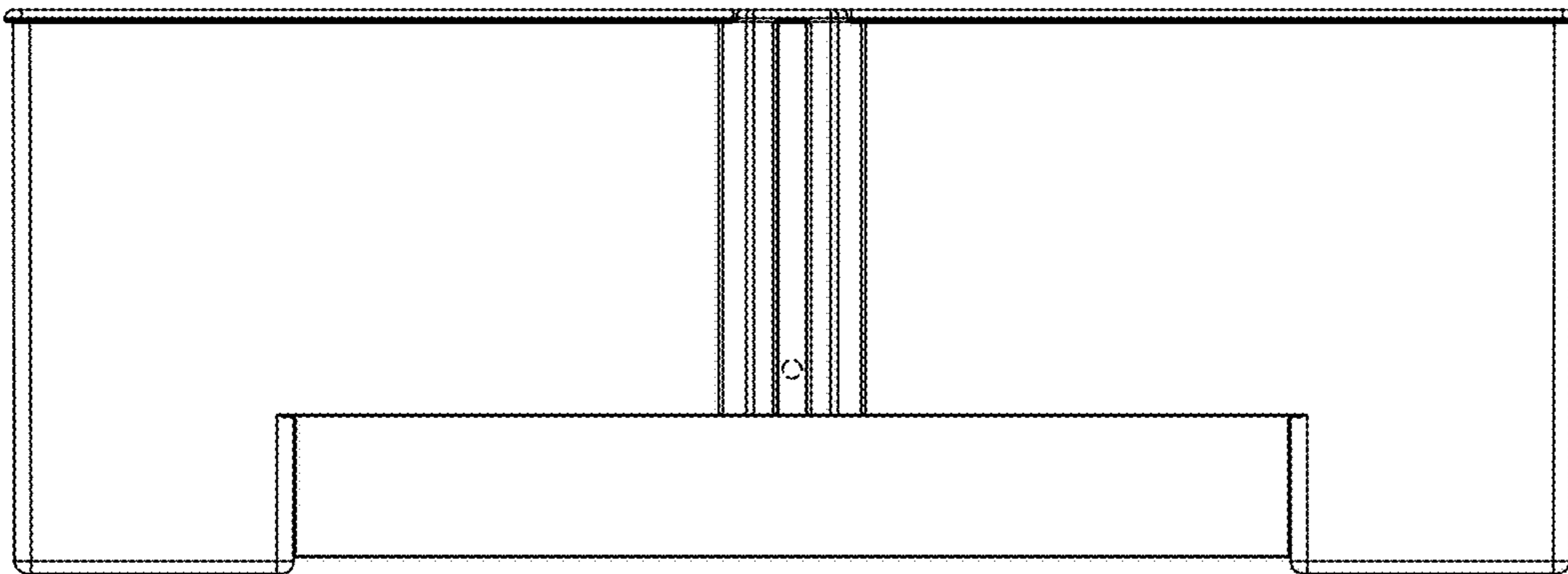


FIG. 5

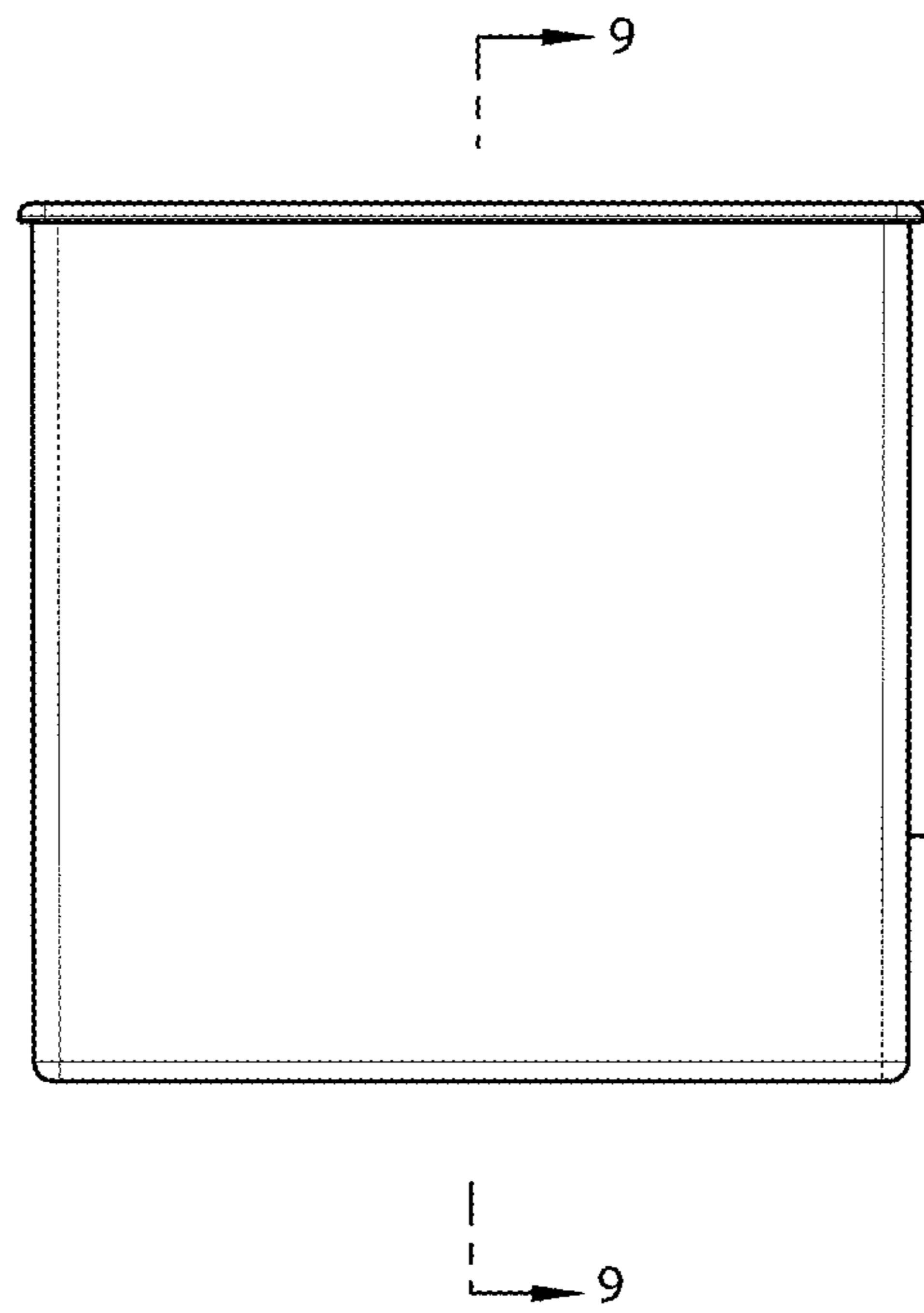


FIG. 6

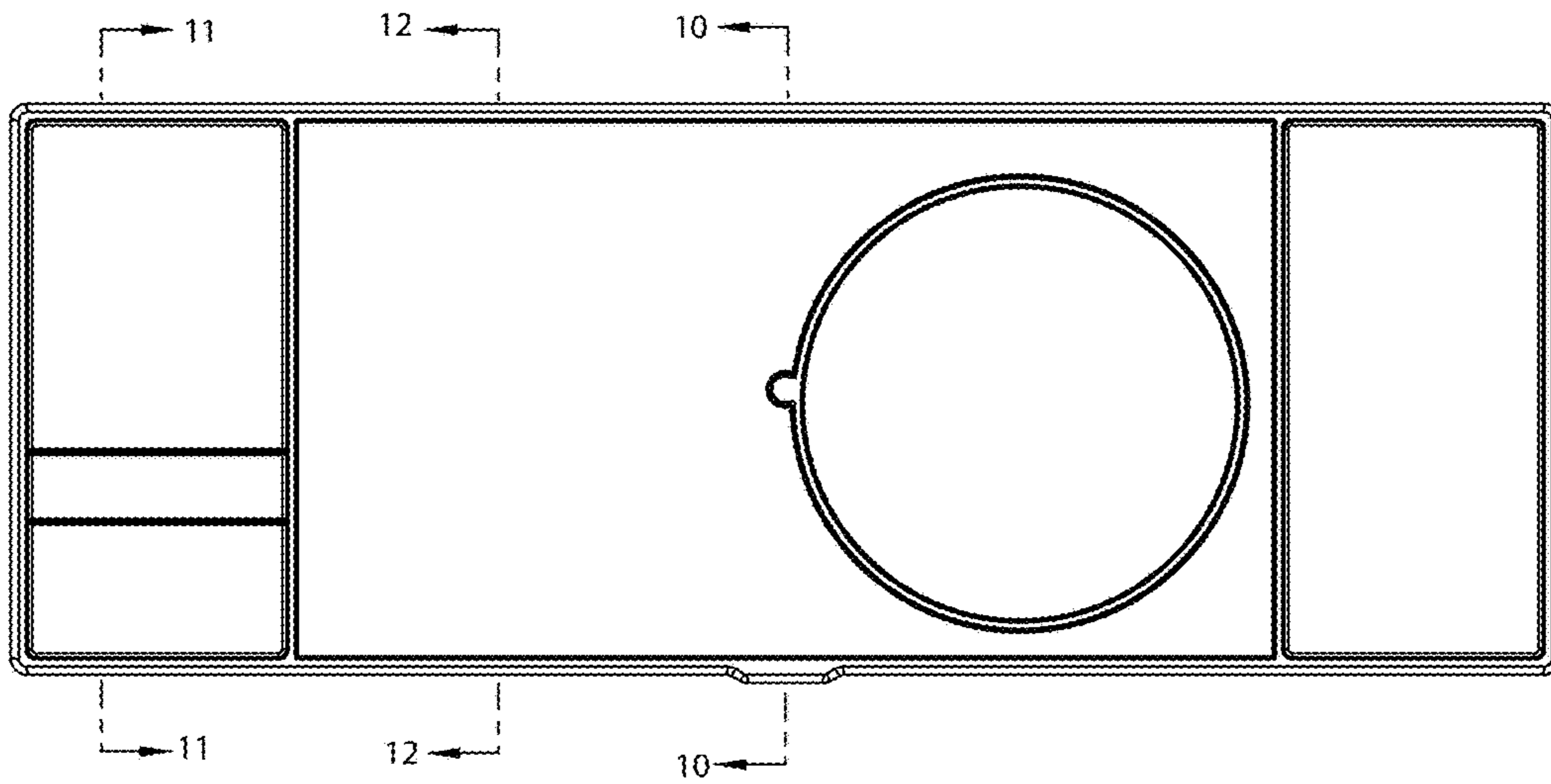


FIG. 7

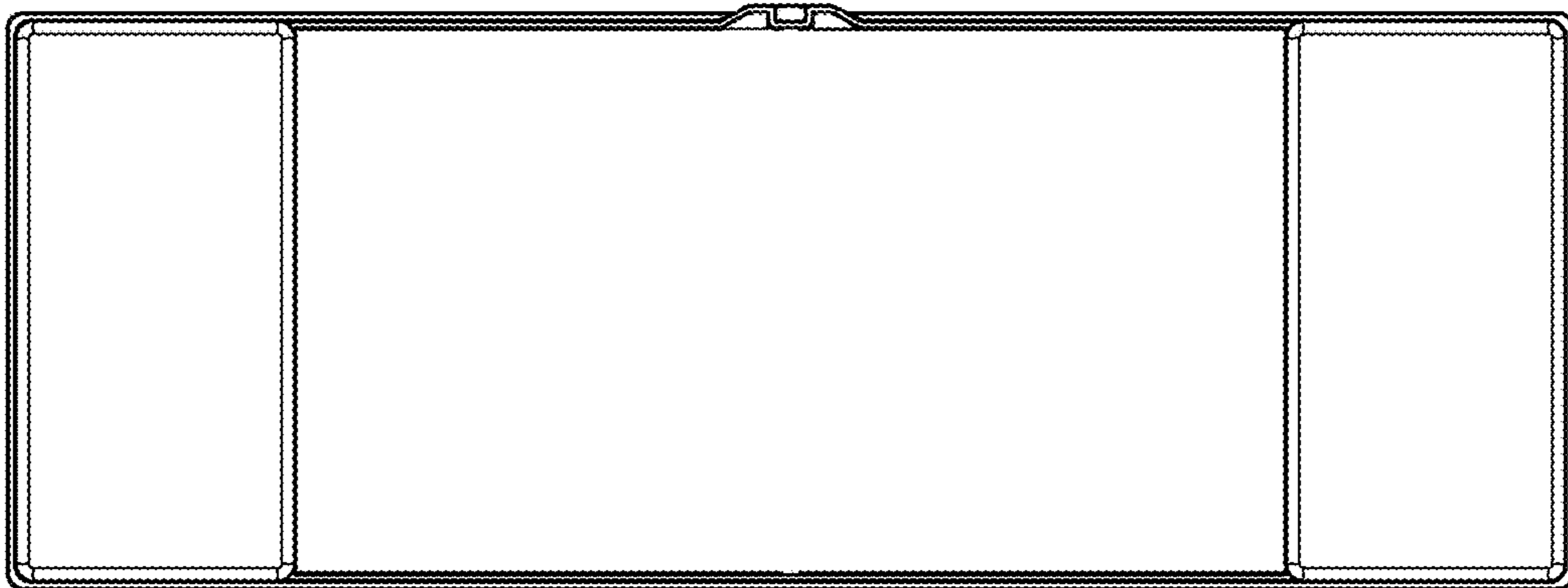


FIG. 8

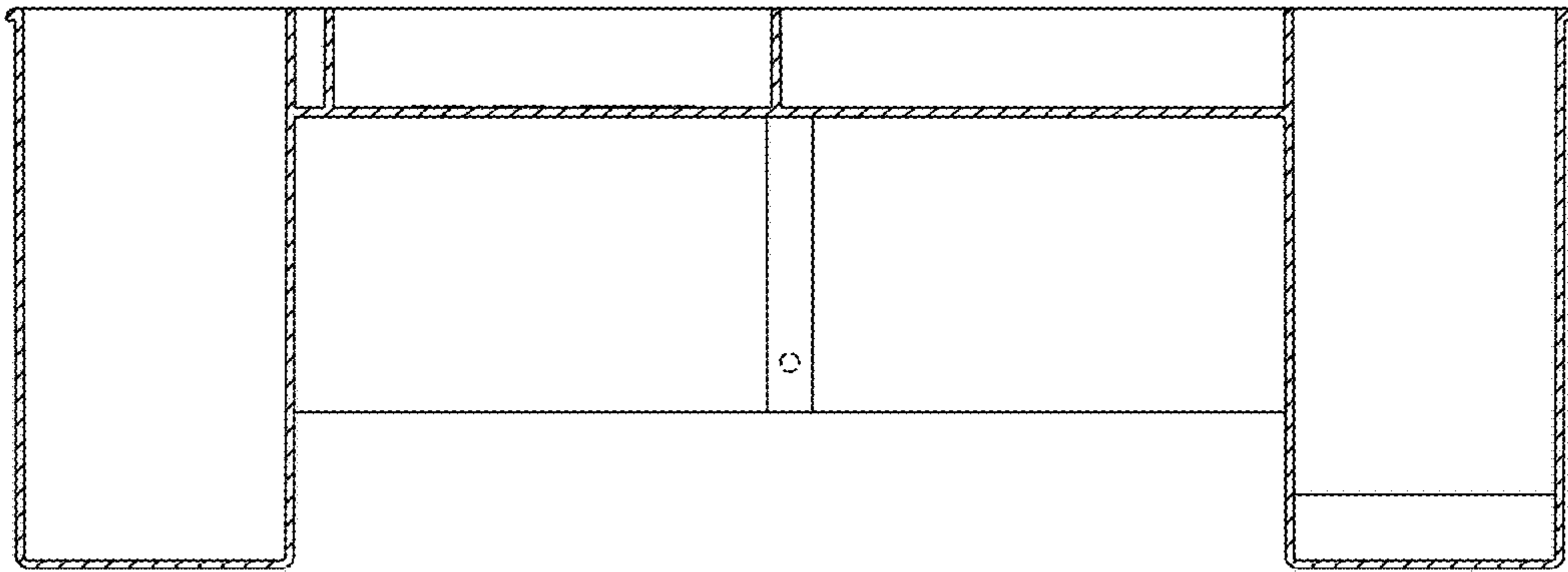


FIG. 9

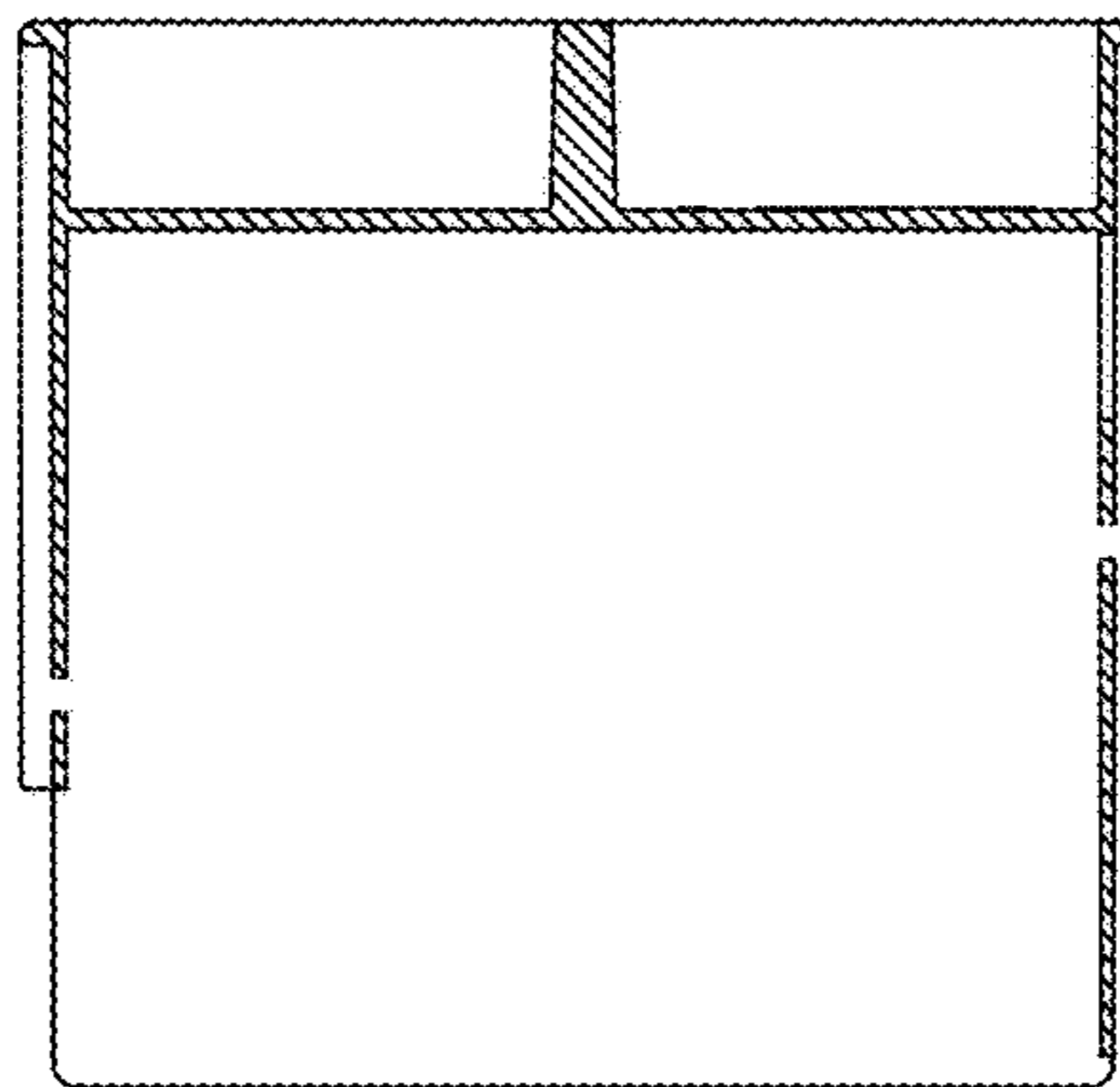


FIG. 10

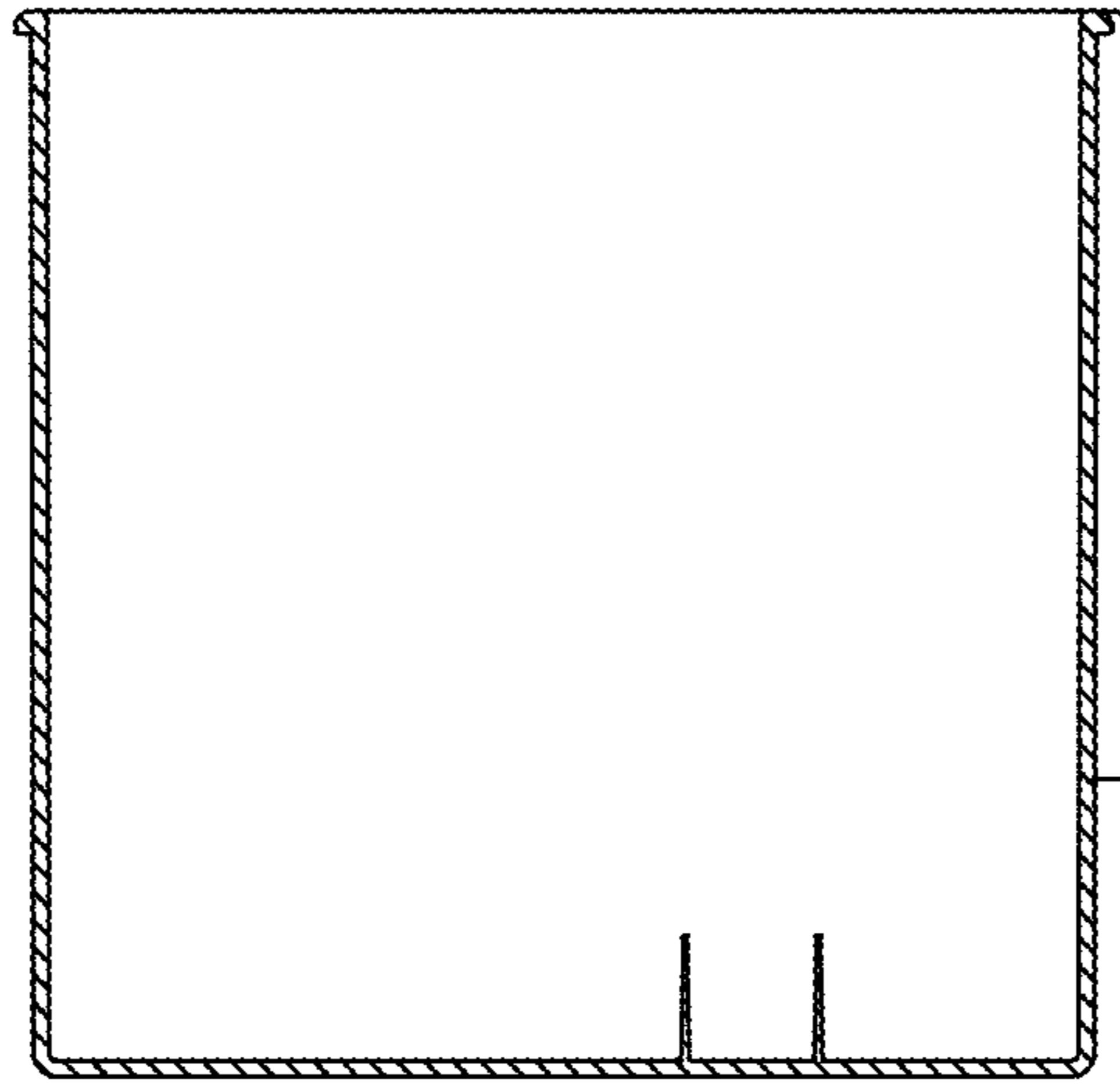


FIG. 11

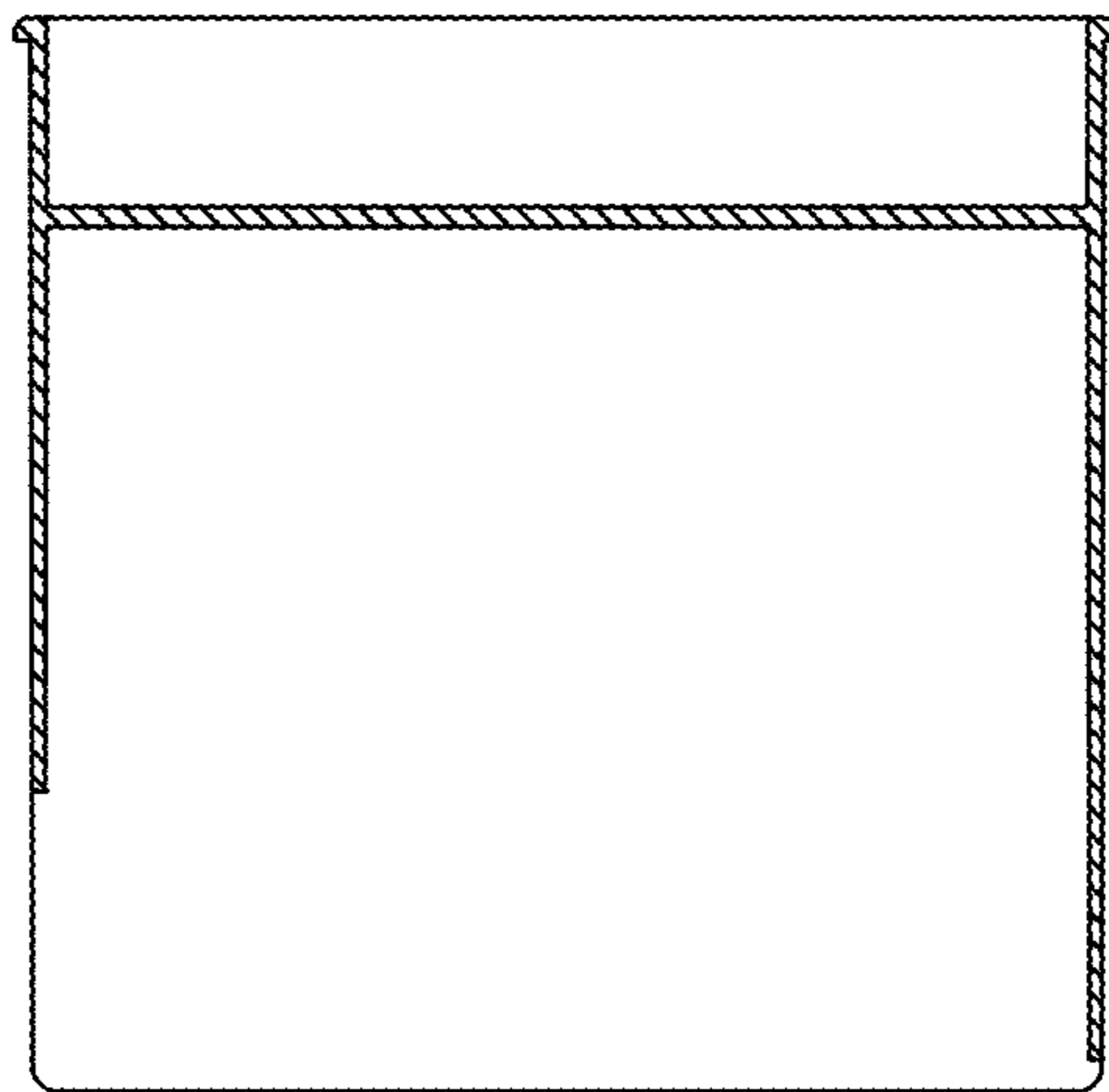


FIG. 12