

US00D838386S

(12) **United States Design Patent**  
**Woodward**

(10) **Patent No.:** **US D838,386 S**  
(45) **Date of Patent:** **\*\* Jan. 15, 2019**

(54) **STEP STOOL**

(71) Applicant: **Stephen Woodward**, Meadville, PA (US)

(72) Inventor: **Stephen Woodward**, Meadville, PA (US)

(73) Assignee: **Werner Co.**, Greenville, PA (US)

(\*\*) Term: **15 Years**

(21) Appl. No.: **29/608,055**

(22) Filed: **Jun. 19, 2017**

(51) **LOC (11) Cl.** ..... **25-04**

(52) **U.S. Cl.**  
USPC ..... **D25/64**

(58) **Field of Classification Search**  
USPC ..... D25/62-65, 68, 69; 182/33, 180.1, 222, 182/152, 162, 120, 23, 26, 115, 207, 165, 182/93, 186.7, 194, 33.3, 161, 18  
CPC . E06C 1/393; E06C 1/387; E06C 1/39; E06C 1/383; E06C 1/14  
See application file for complete search history.

(56) **References Cited**

**U.S. PATENT DOCUMENTS**

4,258,827 A \* 3/1981 Klose ..... A47C 12/02  
182/33.3  
4,276,955 A \* 7/1981 Hickman ..... A47C 12/00  
182/33

6,550,579 B2 \* 4/2003 Gibson ..... E06C 1/387  
182/161  
D706,455 S \* 6/2014 Buchanan ..... D25/64  
9,869,125 B2 \* 1/2018 Simpson ..... E06C 1/387  
2005/0029050 A1 \* 2/2005 Baumgartner ..... E06C 1/393  
182/165  
2005/0252721 A1 \* 11/2005 Parker ..... A47C 12/00  
182/165

\* cited by examiner

*Primary Examiner* — Cynthia Ramirez

*Assistant Examiner* — Gino Colan

(74) *Attorney, Agent, or Firm* — Ansel M. Schwartz

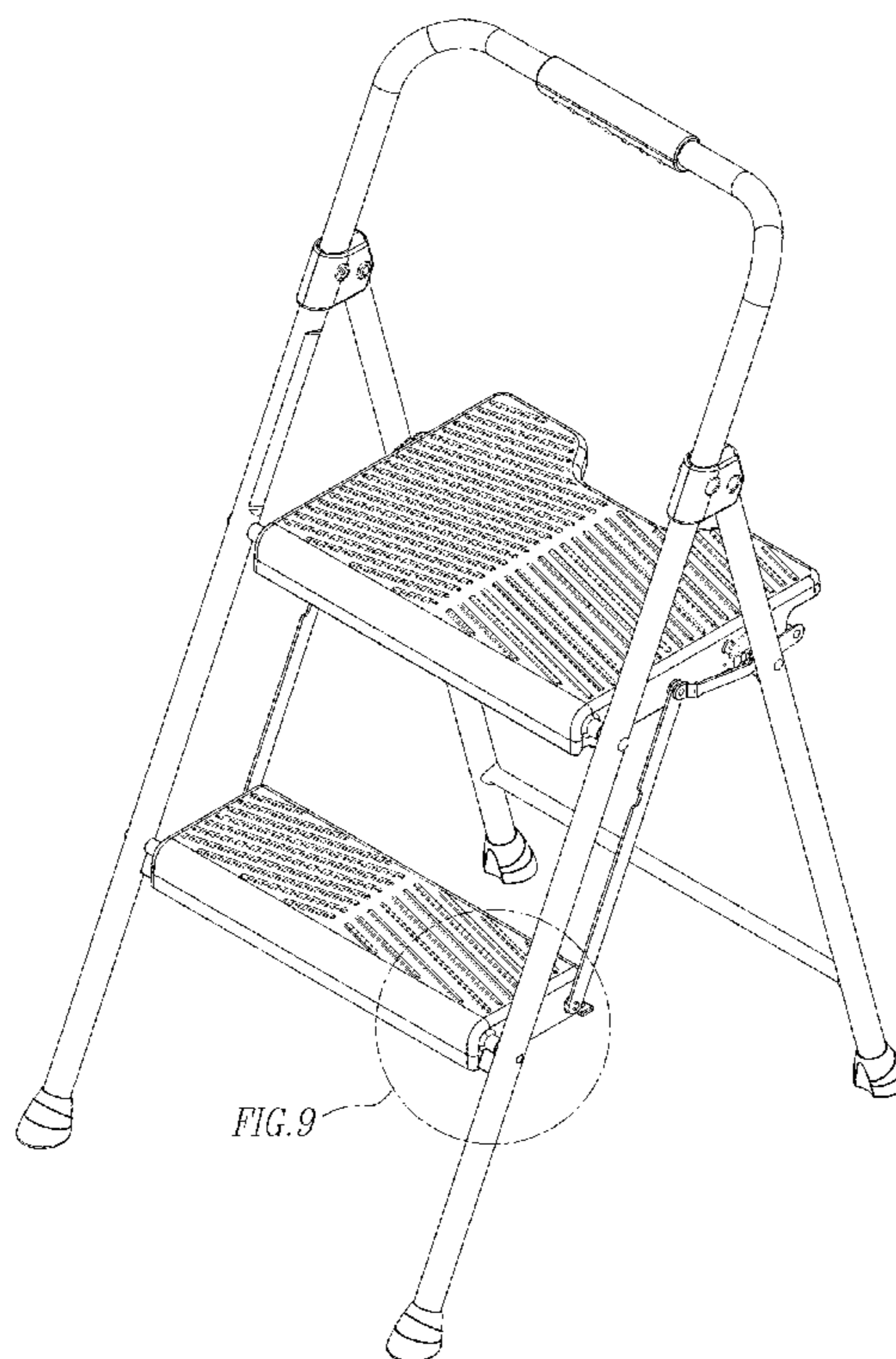
(57) **CLAIM**

The ornamental design for a step stool, as shown and described.

**DESCRIPTION**

FIG. 1 is a front overhead perspective view of a step stool showing my new design;  
FIG. 2 is a rear underneath perspective view thereof;  
FIG. 3 is a right side elevational view thereof;  
FIG. 4 is a front elevational view thereof;  
FIG. 5 is a left side elevational view thereof;  
FIG. 6 is a rear elevational view thereof;  
FIG. 7 is a top elevational view thereof;  
FIG. 8 is a bottom elevational view thereof; and,  
FIG. 9 is an enlarged perspective view of a portion thereof.

**1 Claim, 9 Drawing Sheets**



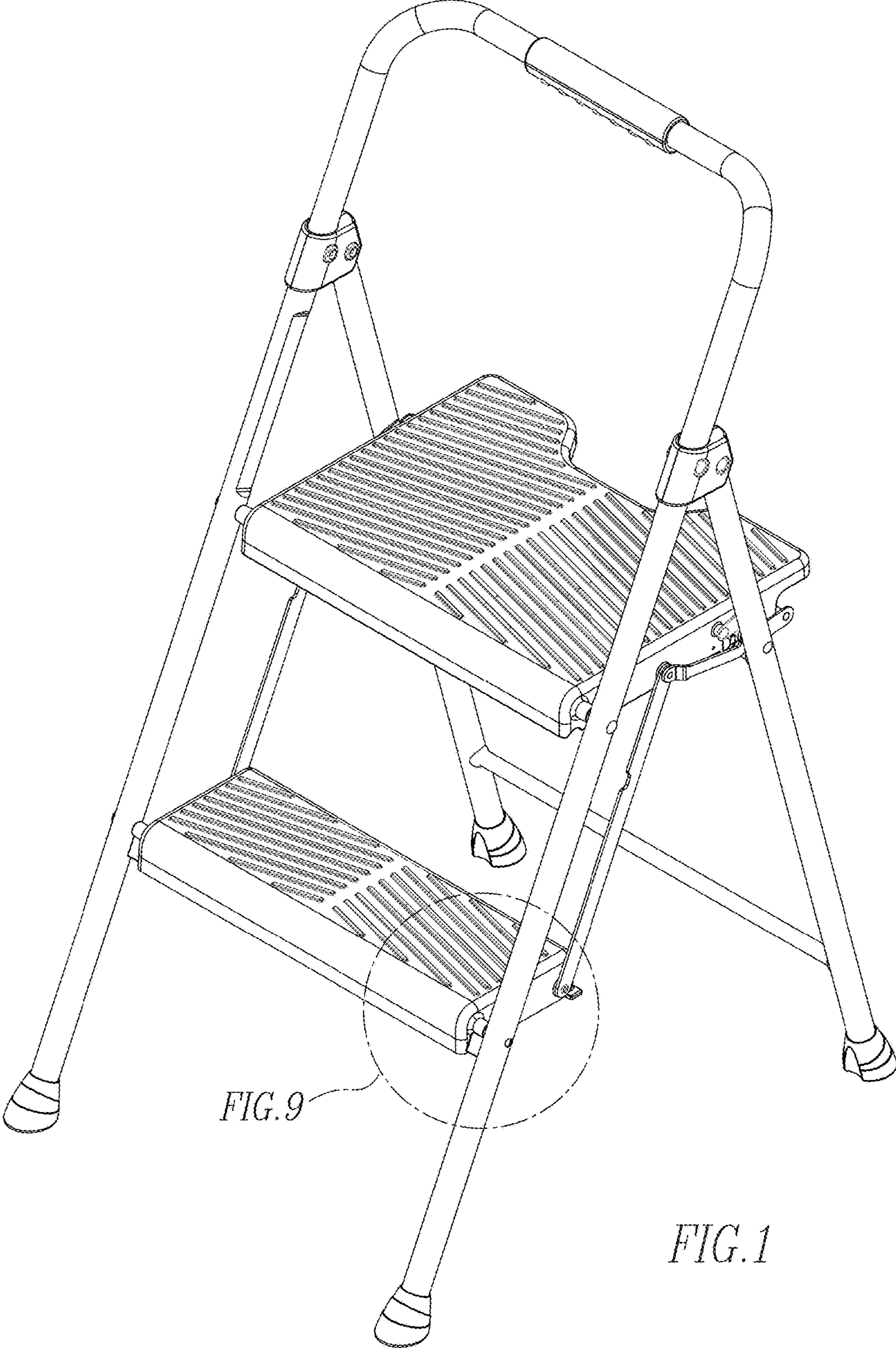


FIG. 9

FIG. 1



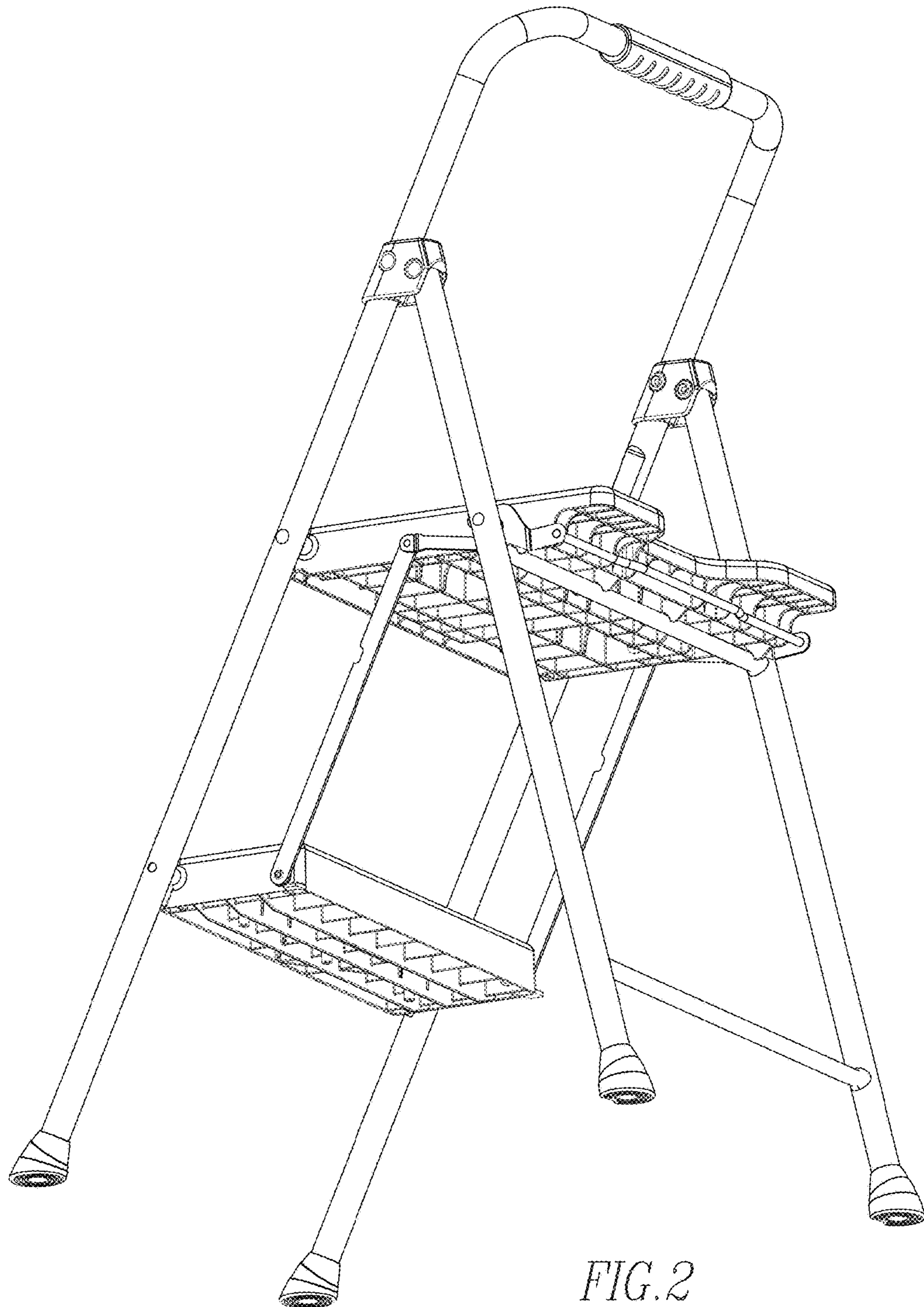
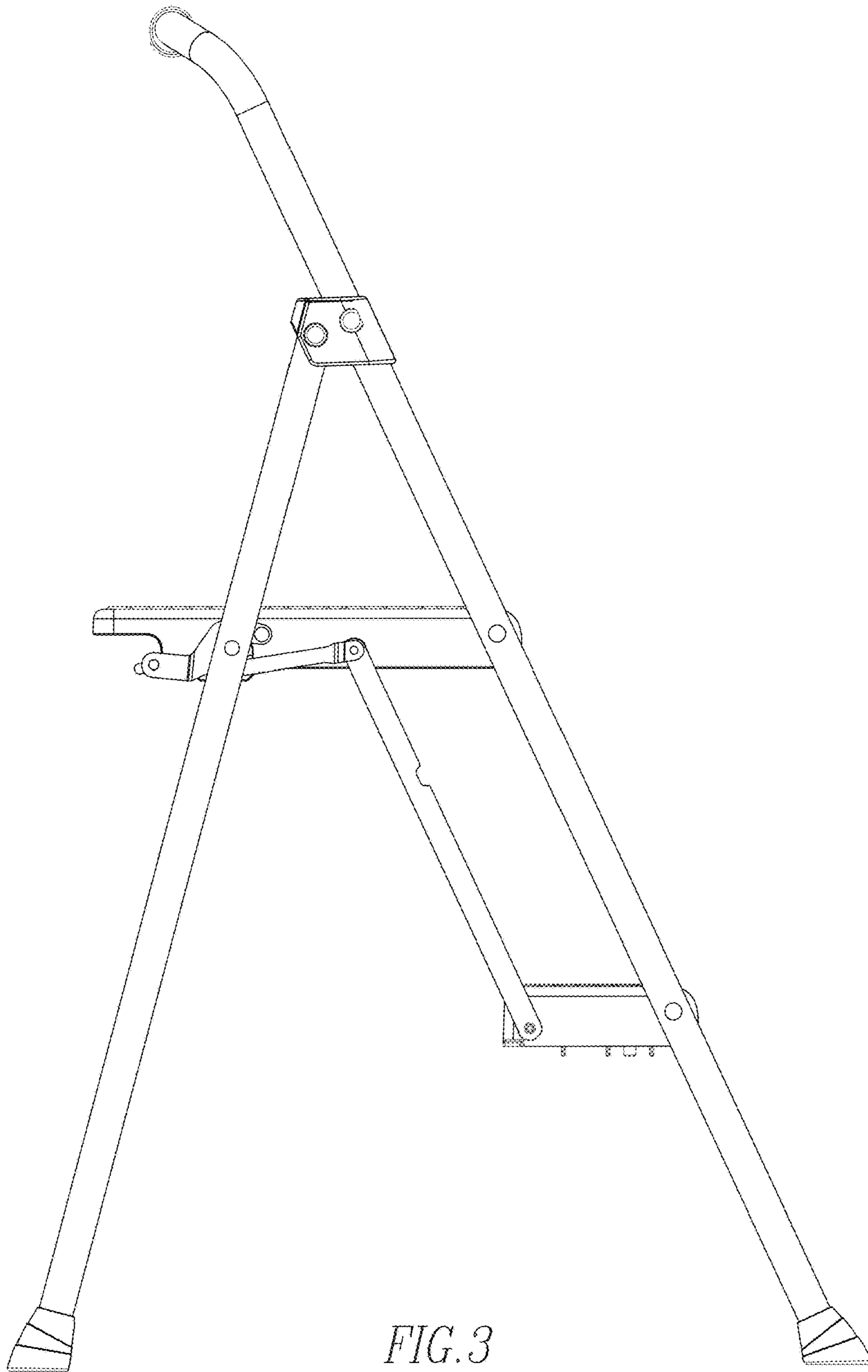


FIG. 2



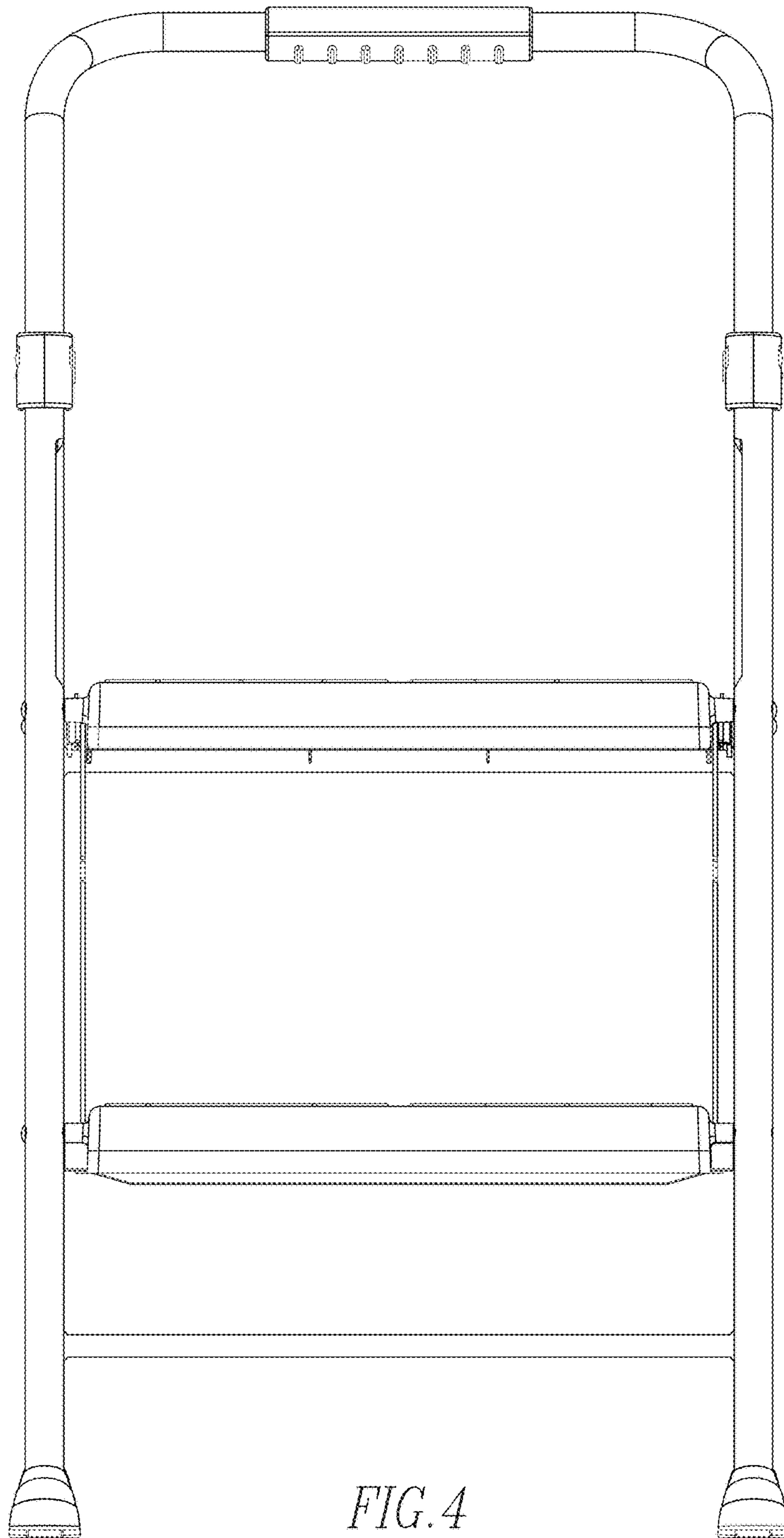
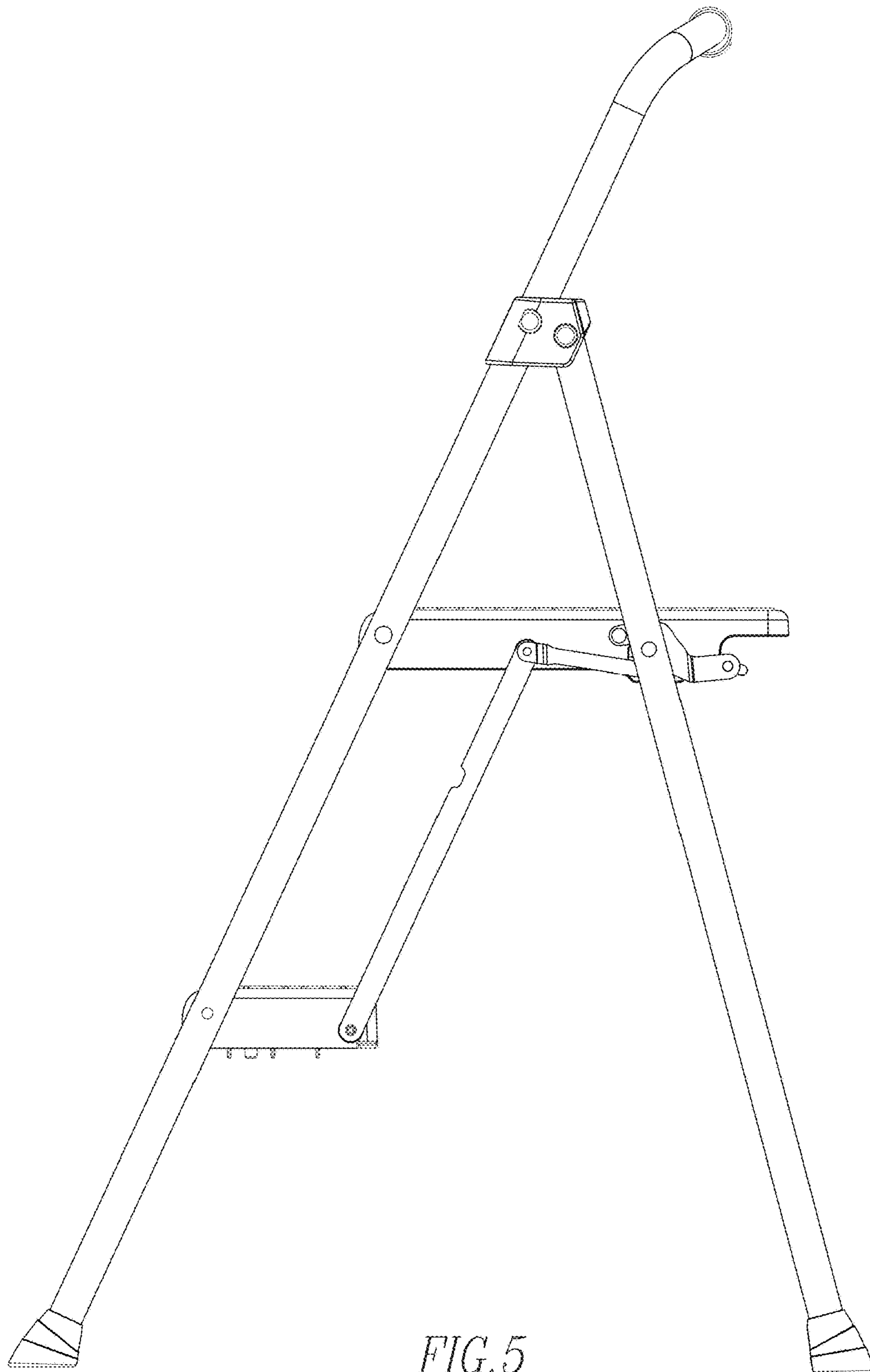


FIG. 4



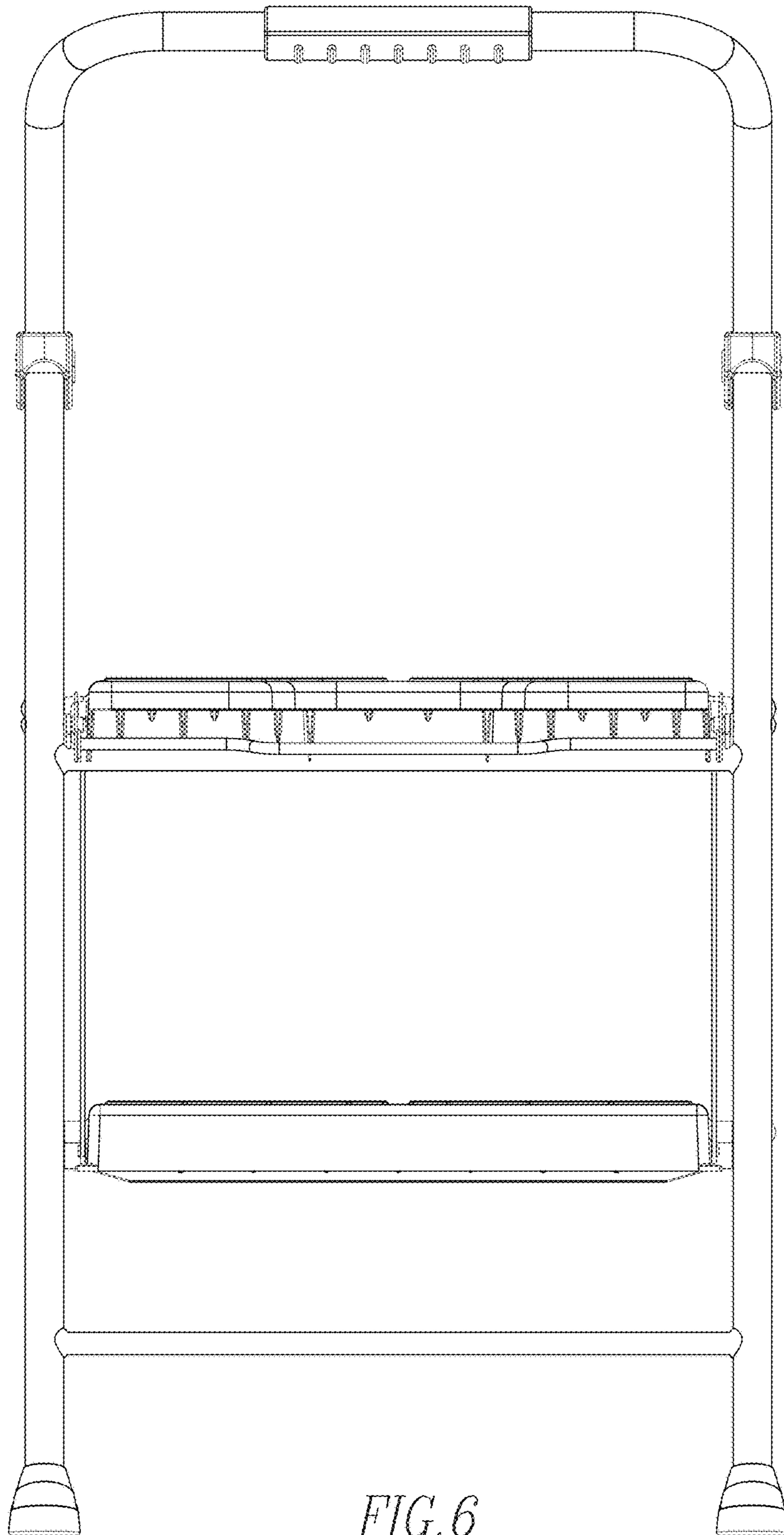


FIG. 6



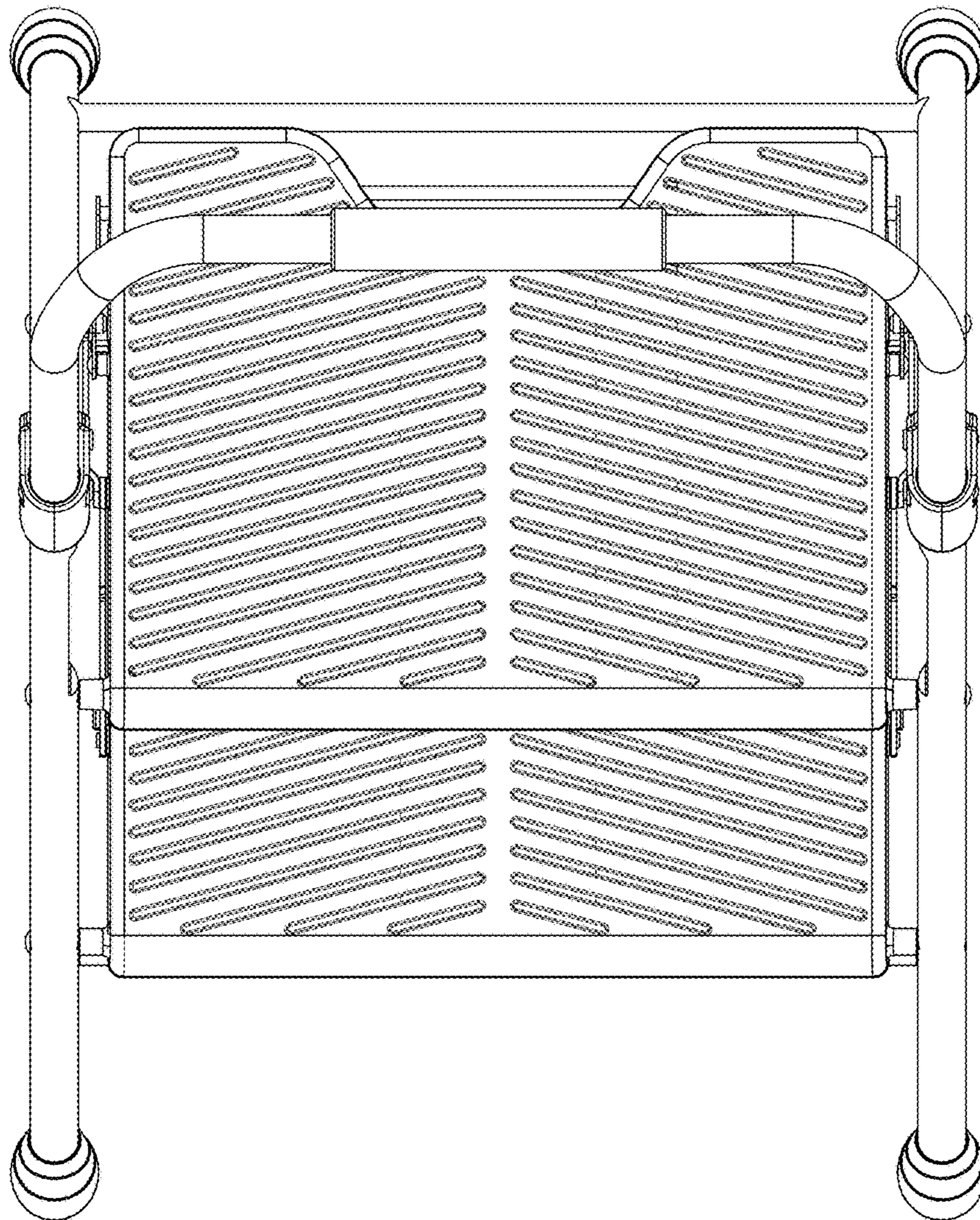


FIG. 7



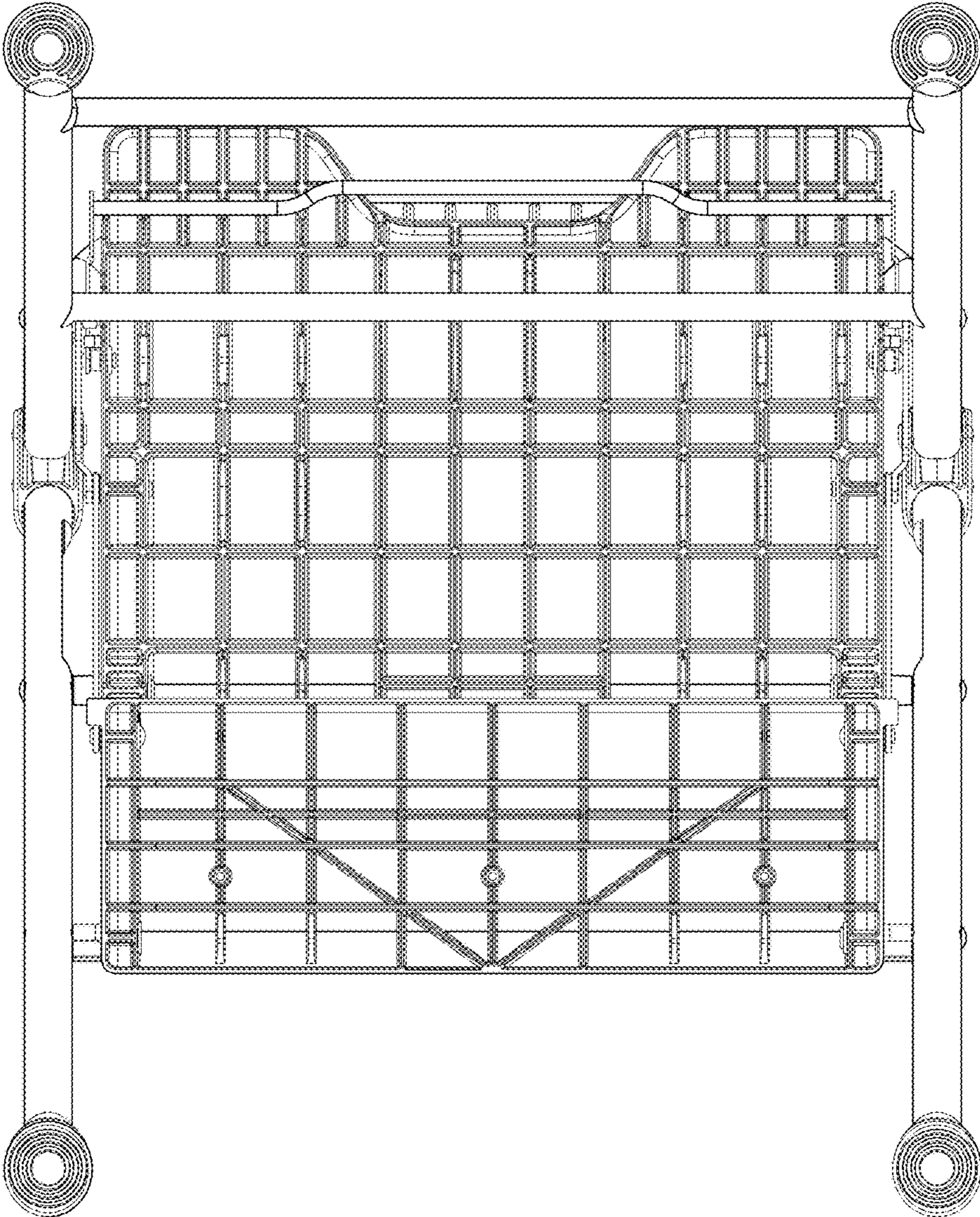


FIG. 8

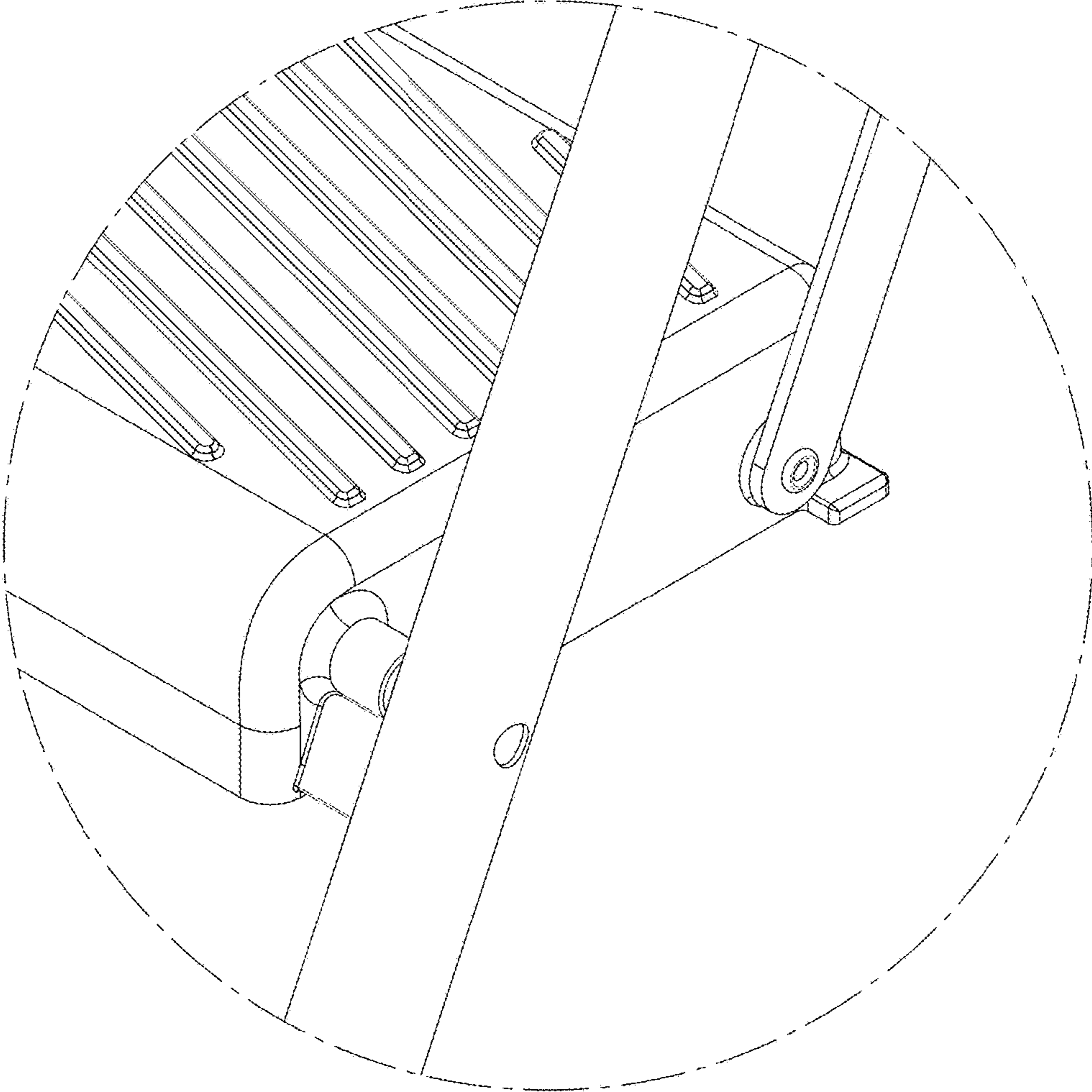


FIG. 9