



US00D838381S

(12) **United States Design Patent**  
**Masuda et al.**

(10) **Patent No.:** **US D838,381 S**  
(45) **Date of Patent:** **\*\* Jan. 15, 2019**

(54) **LIGHT SHIELDING COVER OF A CLINICAL ANALYZER**

(71) Applicant: **Hitachi High-Technologies Corporation**, Minato-ku, Tokyo (JP)

(72) Inventors: **Ai Masuda**, Tokyo (JP); **Hiroyuki Noda**, Tokyo (JP); **Akihito Wakui**, Tokyo (JP); **Masahiko Iijima**, Tokyo (JP)

(73) Assignee: **Hitachi High-Technologies Corporation**, Tokyo (JP)

(\*\*) Term: **15 Years**

(21) Appl. No.: **29/615,613**

(22) Filed: **Aug. 30, 2017**

(30) **Foreign Application Priority Data**

Mar. 22, 2017 (JP) ..... 2017-005824

(51) **LOC (11) Cl.** ..... **24-01**

(52) **U.S. Cl.**  
USPC ..... **D24/232**

(58) **Field of Classification Search**  
USPC ..... D24/107, 169, 185, 186, 216-219,  
D24/231-234; D10/81  
CPC ..... G01N 2035/00306; G01N 2035/00326;  
G01N 2035/00336; G01N 2030/027;  
G01N 21/76  
See application file for complete search history.

(56) **References Cited**

**U.S. PATENT DOCUMENTS**

D474,416 S \* 5/2003 Oonuma ..... D10/81  
D681,226 S \* 4/2013 Oonuma ..... D24/216  
D715,425 S 10/2014 Oonuma et al.  
D715,426 S 10/2014 Oonuma et al.  
D715,455 S \* 10/2014 Oonuma ..... D24/186  
D715,456 S 10/2014 Oonuma et al.

D721,822 S \* 1/2015 Oonuma ..... D24/232  
D722,178 S \* 2/2015 Oonuma ..... D24/232  
D722,179 S \* 2/2015 Oonuma ..... D24/216  
D736,402 S \* 8/2015 Gutmann ..... D24/216  
D740,956 S \* 10/2015 Oonuma ..... D24/216  
D740,957 S \* 10/2015 Oonuma ..... D24/216  
D821,607 S \* 6/2018 Kurz-Ottenwaelder ..... D24/232

**OTHER PUBLICATIONS**

Masuda et al., Design U.S. Appl. No. 29/615,612, filed Aug. 30, 2017.

\* cited by examiner

*Primary Examiner* — Anhdao Doan

(74) *Attorney, Agent, or Firm* — Crowell & Moring LLP

(57) **CLAIM**

The ornamental design for a light shielding cover of a clinical analyzer, as shown and described.

**DESCRIPTION**

This application contains subject matter related to the following co-pending U.S. design patent application:

Application Ser. No. 29/615,612, filed herewith and entitled “Clinical Analyzer”.

FIG. 1 is a front, top and left side perspective view of a light shielding cover of a clinical analyzer according to the design;

FIG. 2 is a front elevational view thereof;

FIG. 3 is a top plan view thereof;

FIG. 4 is a right side elevational view thereof;

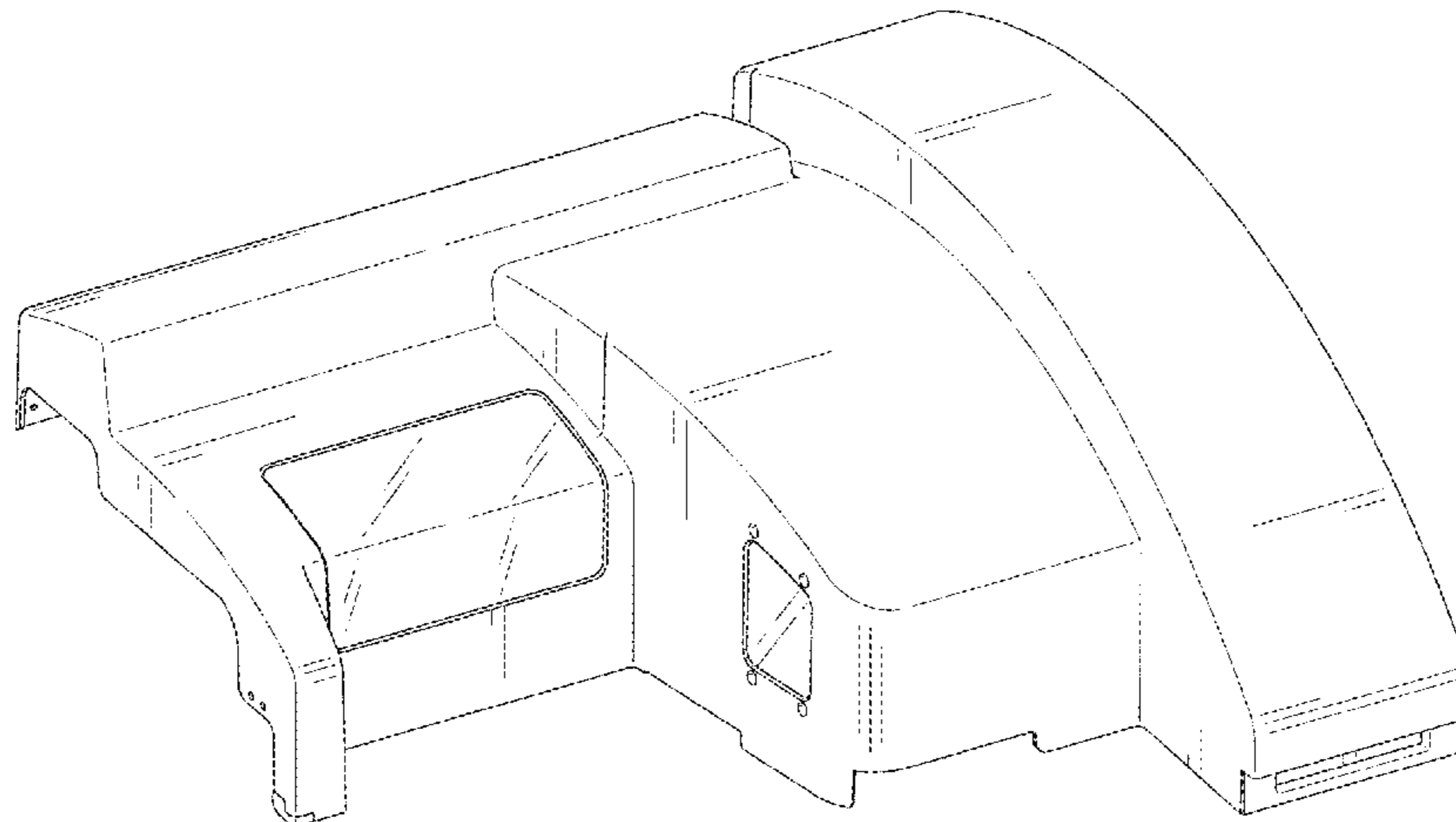
FIG. 5 is a left side elevational view thereof;

FIG. 6 is a rear elevational view thereof;

FIG. 7 is a bottom plan view thereof; and,

FIG. 8 is an illustrative reference front, top and right side perspective view thereof, showing a using condition. The broken lines shown in FIG. 8 are included for the purpose of illustrating environmental subject matter only and form no part of the claimed design.

**1 Claim, 4 Drawing Sheets**



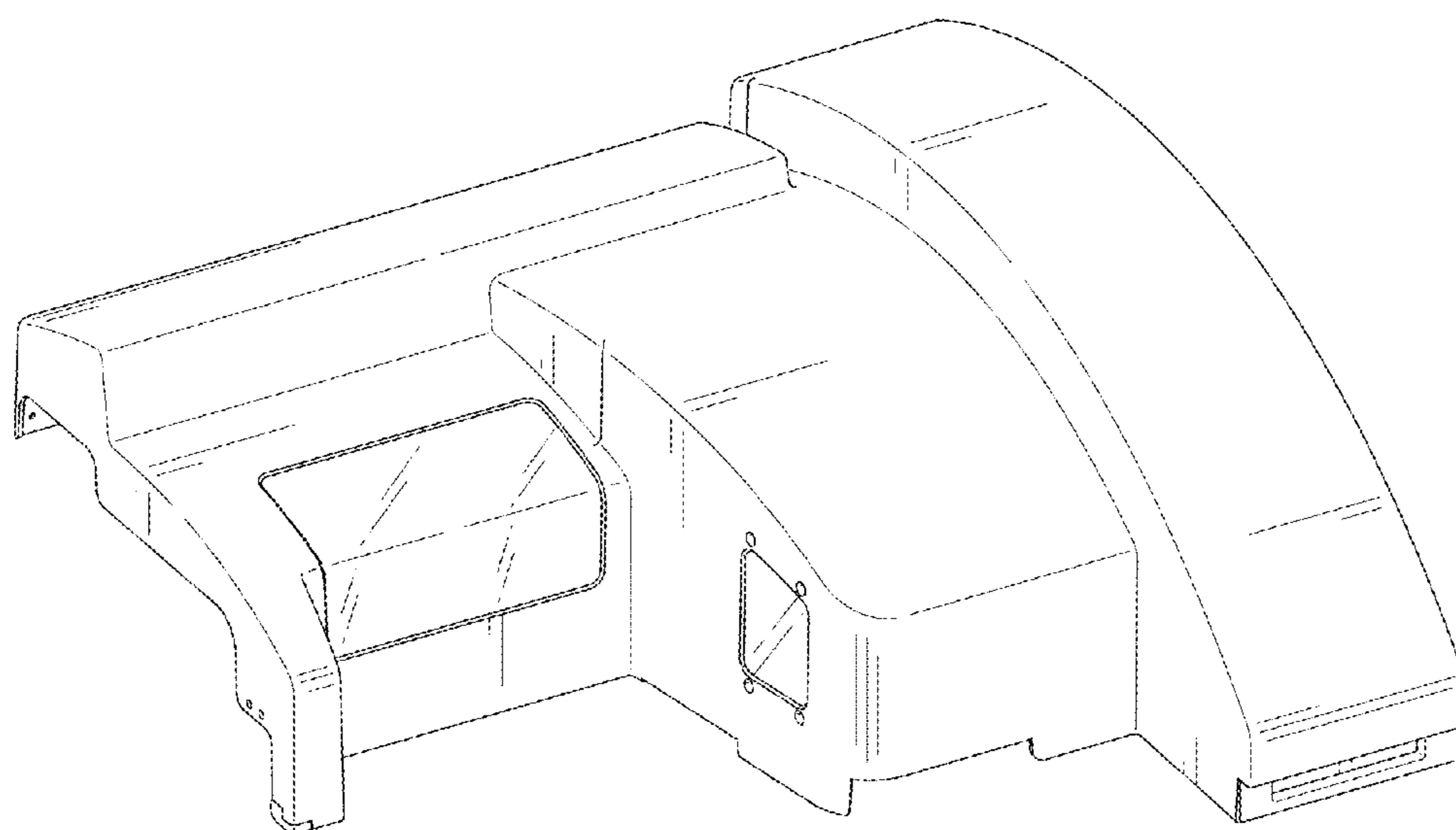


FIG. 1

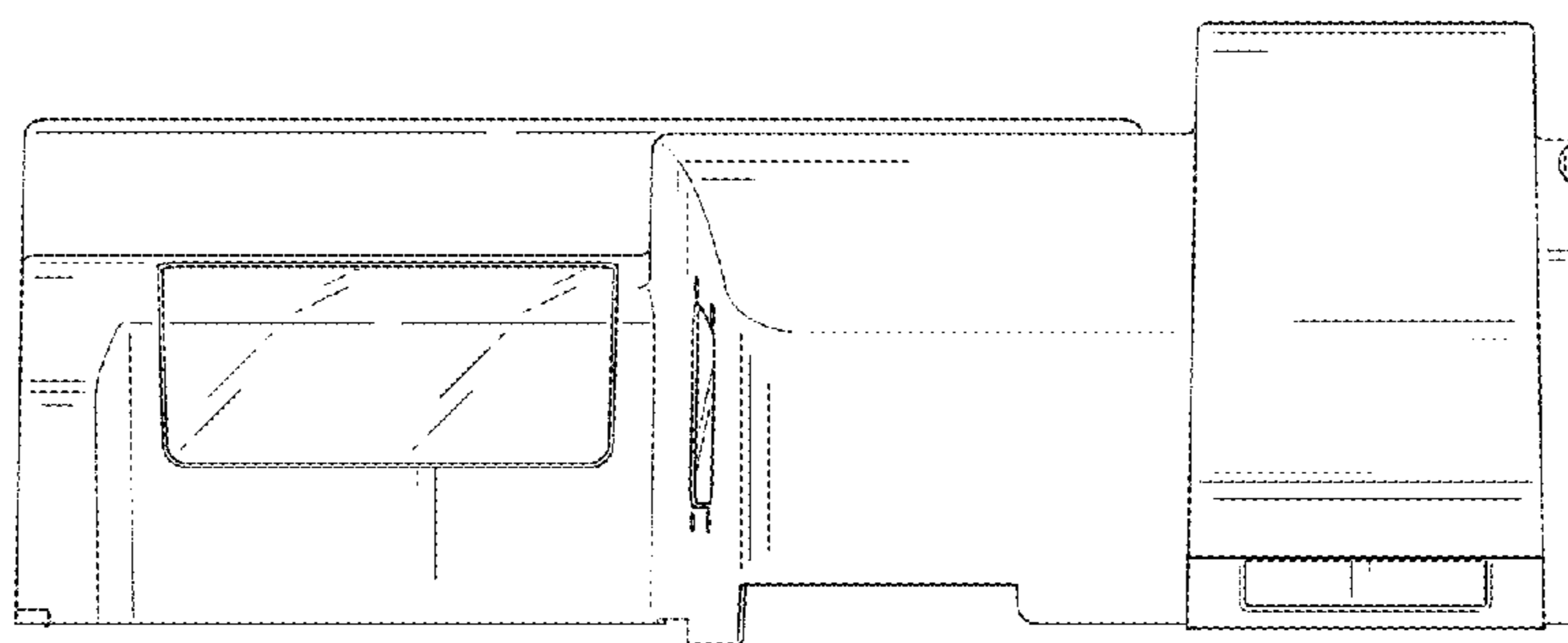


FIG. 2

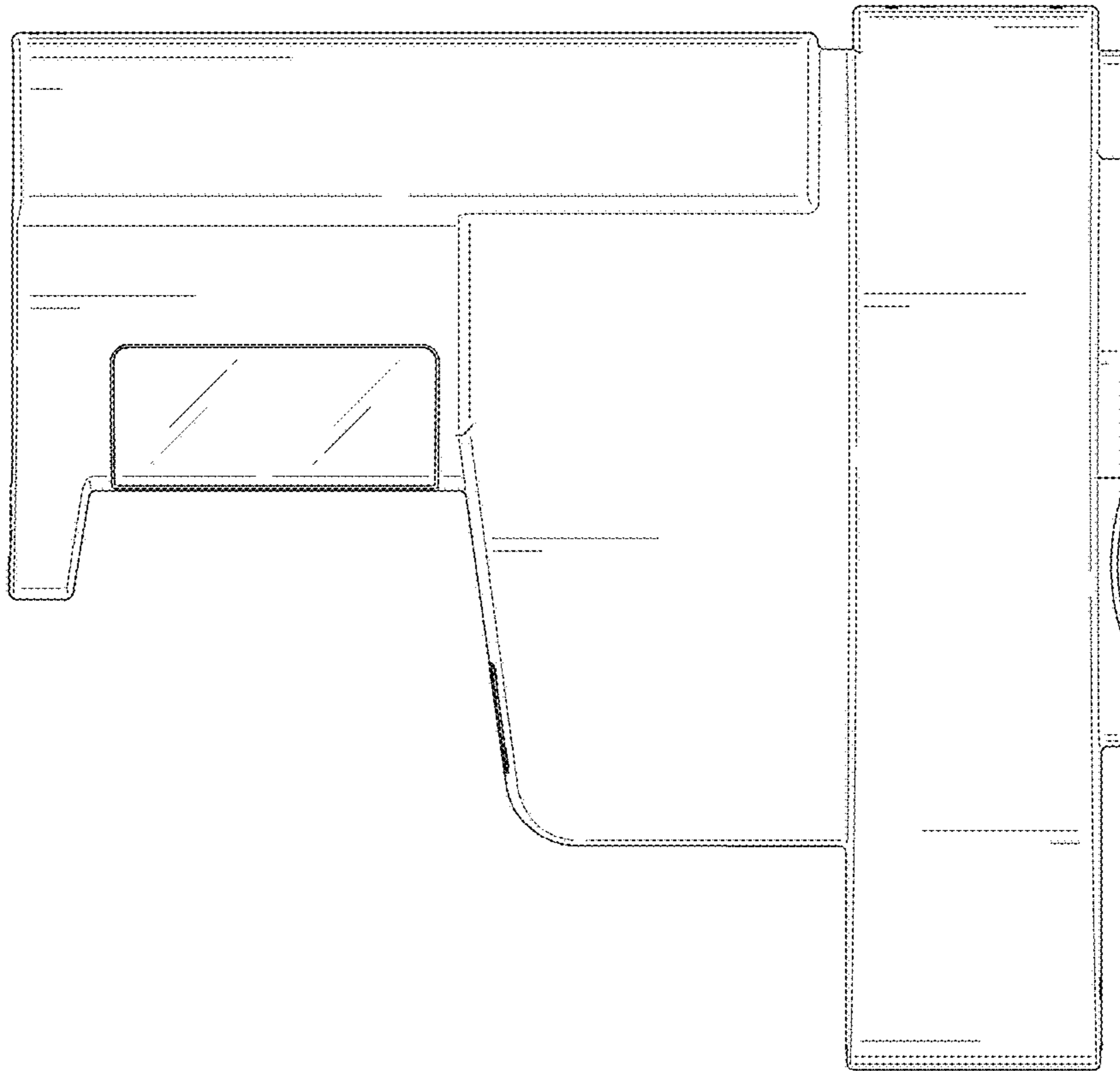


FIG. 3

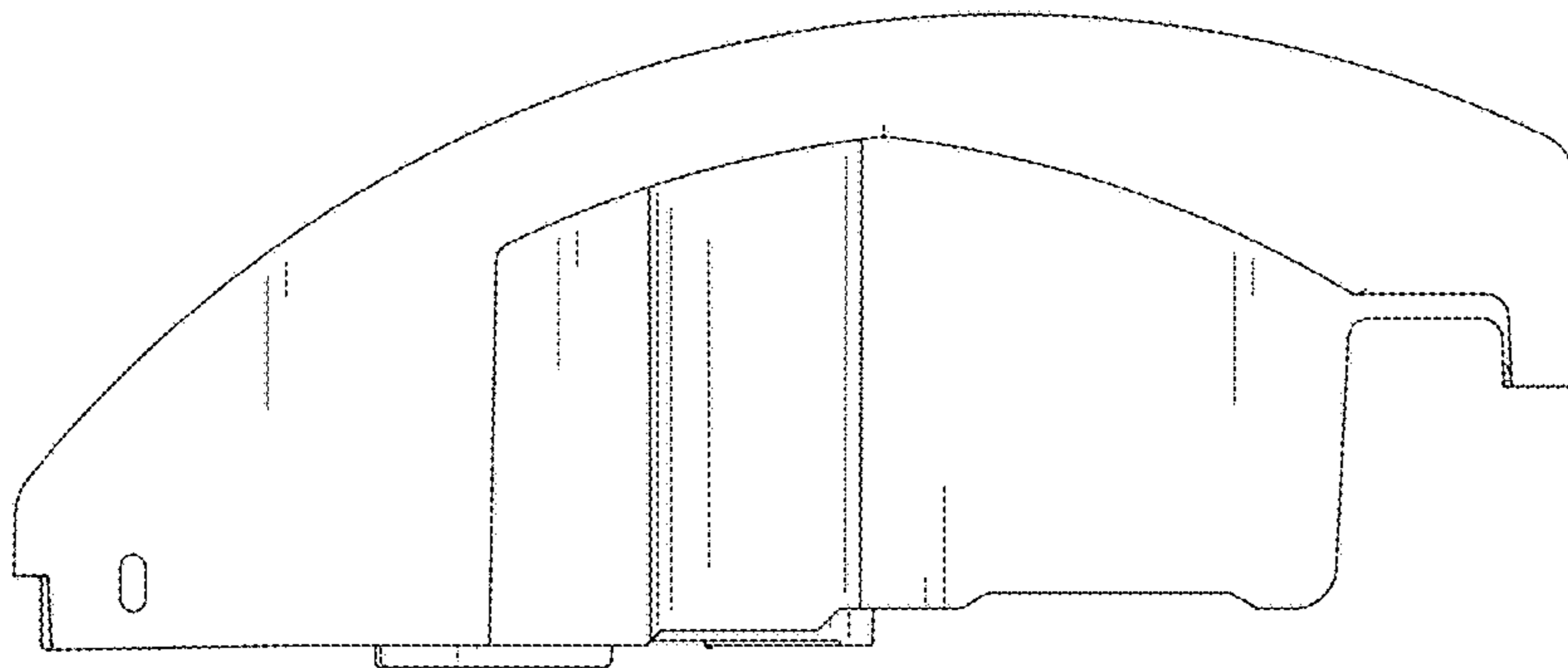


FIG. 4

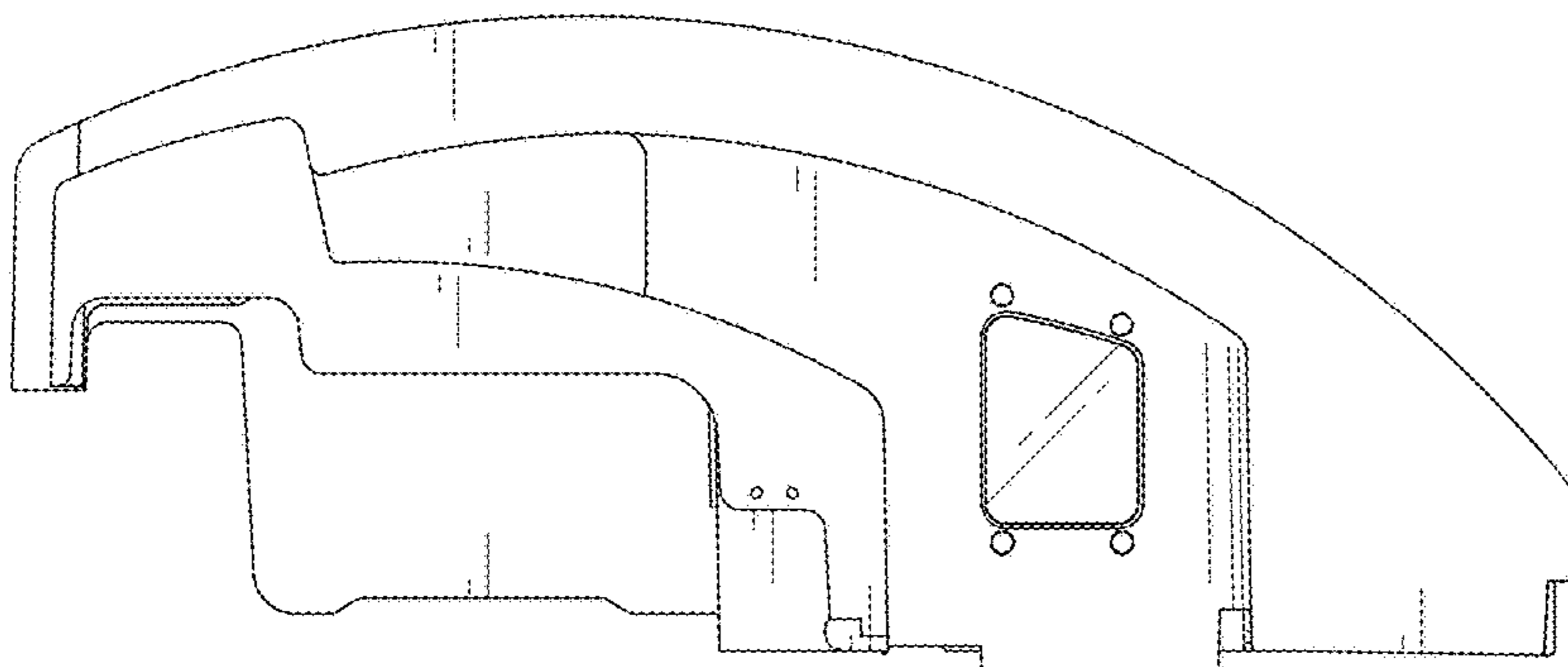


FIG. 5

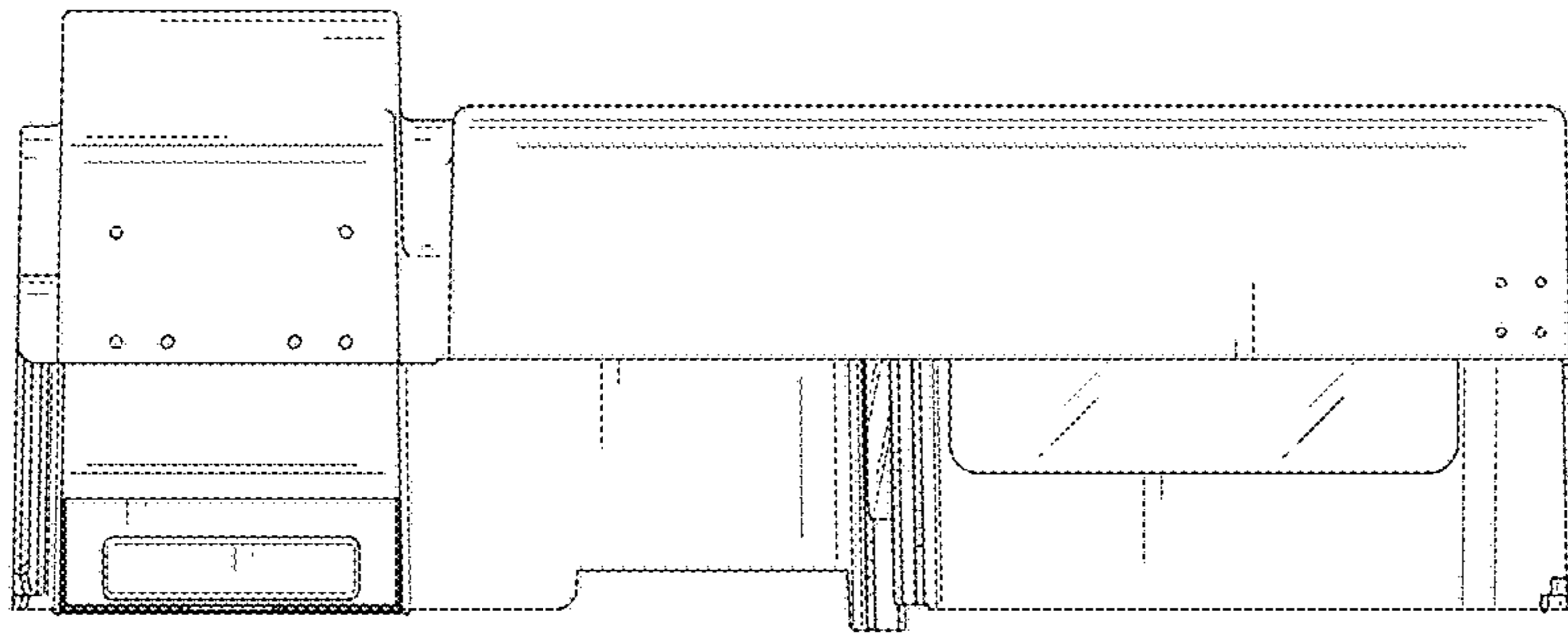


FIG. 6

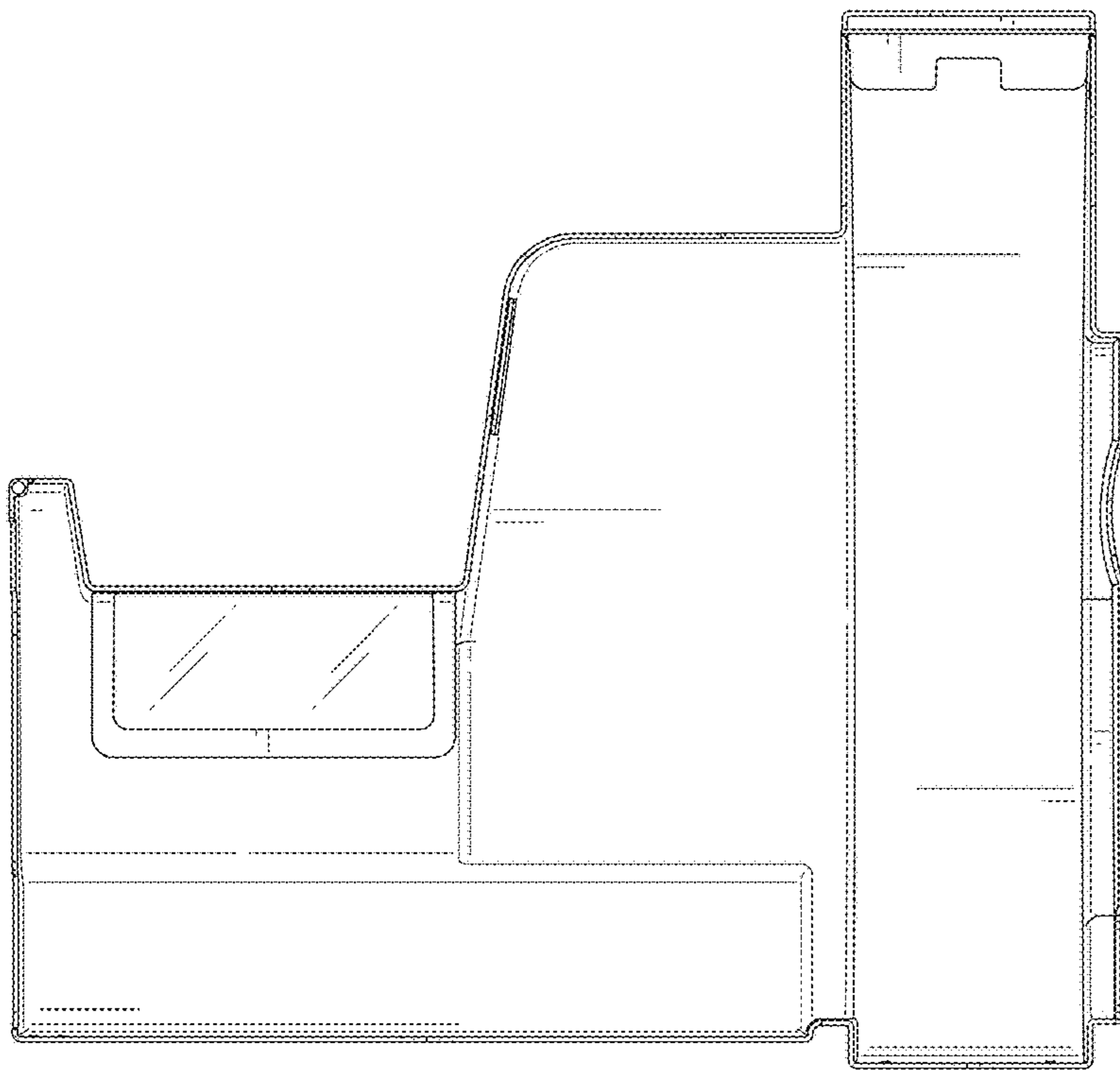


FIG. 7

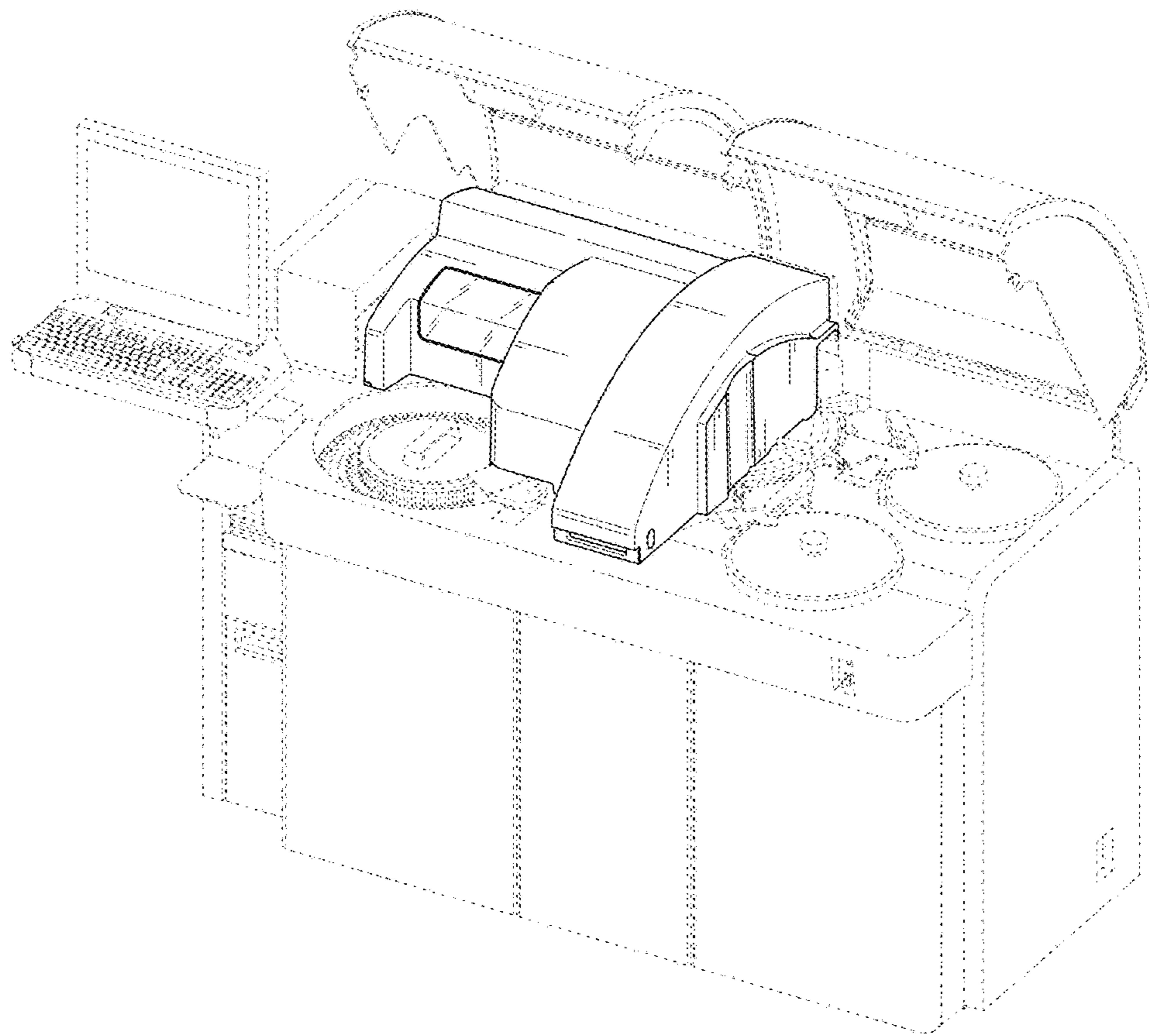


FIG. 8