



US00D838380S

(12) **United States Design Patent** (10) **Patent No.:** **US D838,380 S**
Self et al. (45) **Date of Patent:** **** Jan. 15, 2019**

- (54) **REAGENT PLATE** D338,965 S 8/1993 Glanz et al.
- (71) Applicant: **Becton, Dickinson and Company,** 5,665,558 A 9/1997 Frame et al.
Franklin Lakes, NJ (US) 5,788,928 A 8/1998 Carey et al.
- (72) Inventors: **Brian A. Self,** Monkton, MD (US); 5,962,250 A * 10/1999 Gavin B01L 3/5025
Dwight Livingston, Fallston, MD (US); 422/552
Alyssa Shedlosky, Owings Mills, MD 6,190,619 B1 2/2001 Monks D24/224
(US) 6,190,878 B1 * 2/2001 Pierson B01L 3/021
435/283.1
- (73) Assignee: **Becton, Dickinson and Company,** D438,632 S * 3/2001 Miller D24/216
Franklin Lakes, NJ (US) D438,633 S 3/2001 Miller
(Continued)

(**) Term: **15 Years**

(21) Appl. No.: **29/564,504**

(22) Filed: **May 13, 2016**

(51) **LOC (11) Cl.** **24-02**

(52) **U.S. Cl.**
USPC **D24/224; D24/229**

(58) **Field of Classification Search**
USPC 206/557-565, 431, 438, 363, 371;
356/244, 246, 929, 930; 422/552-554,
422/549, 400, 430, 547, 63-67, 82.09,
422/258; 435/285.2, 287.6, 303.1,
435/164-165; 73/304 R; D24/216,
D24/223-230; D3/203.1, 203.3

CPC A61B 5/150343; B01D 9/00; B01L 3/06;
B01L 3/502; B01L 3/5025; B01L 3/508;
B01L 3/5021; B01L 3/5082; B01L
3/5085; B01L 3/50855; B01L 3/545;
B01L 3/5453; B01L 9/06; B65D 1/34;
B65D 1/36; G01N 21/07; G01N 21/76;
G01N 21/253; G01N 33/80; G01N 35/04;
G01N 35/025; G01N 35/1083; G01N
21/03; G01N 21/0303; G01N 21/0332

See application file for complete search history.

(56) **References Cited**

U.S. PATENT DOCUMENTS

D260,428 S 8/1981 Fekete
5,147,609 A 9/1992 Grenner

OTHER PUBLICATIONS

Design U.S. Appl. No. 29/627,919, filed Nov. 30, 2017 (Self et al.).

Primary Examiner — Ian Simmons

Assistant Examiner — Mark Cavanna

(74) *Attorney, Agent, or Firm* — Lerner, David,
Littenberg, Krumholz & Mentlik, LLP

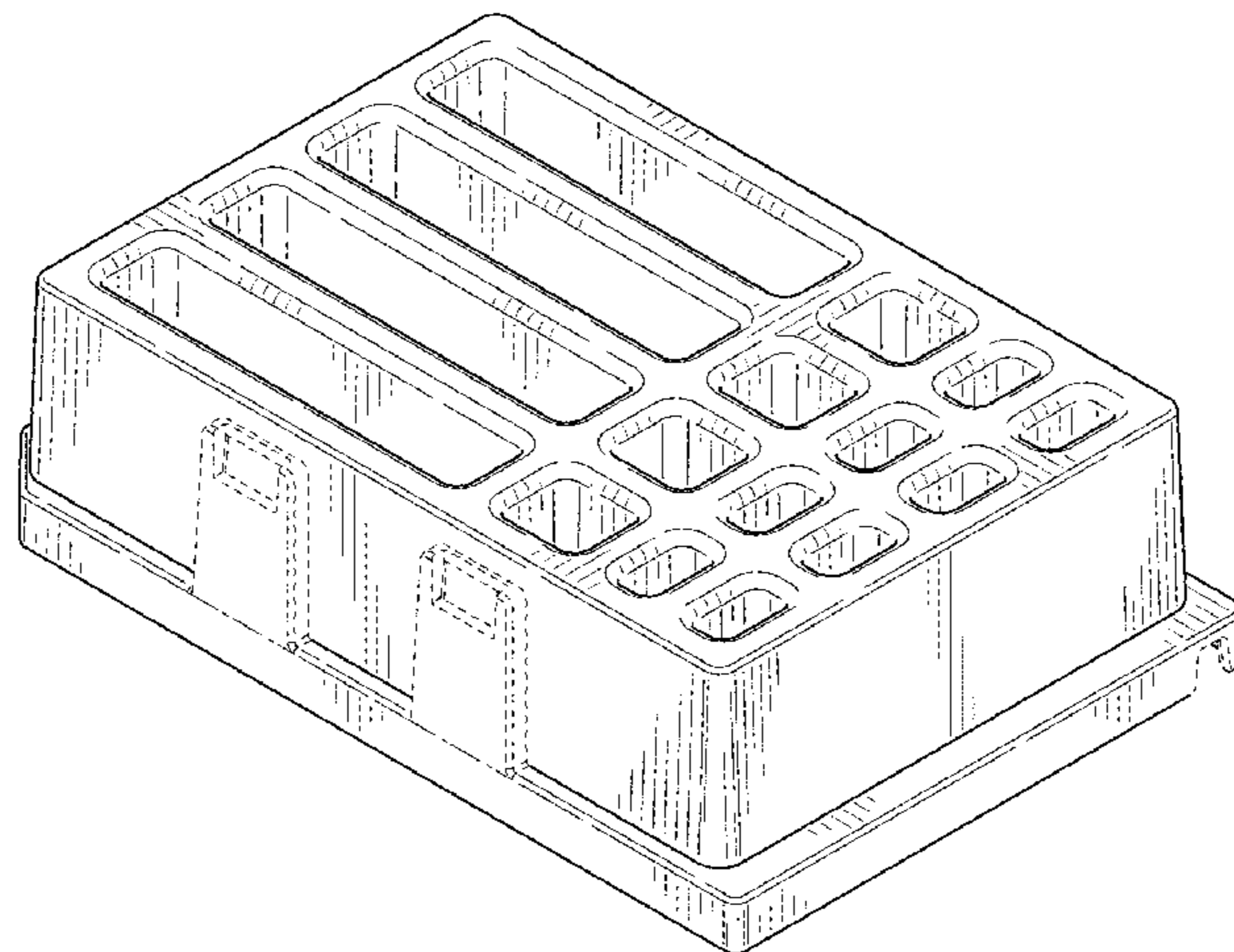
(57) **CLAIM**

The ornamental design for a reagent plate, as shown and described.

DESCRIPTION

FIG. 1 is a front perspective view of a reagent plate showing our new design;
FIG. 2 is a front elevational view thereof;
FIG. 3 is a rear elevational view thereof;
FIG. 4 is a right side elevational view thereof;
FIG. 5 is a left side elevational view thereof;
FIG. 6 is a top plan view thereof; and,
FIG. 7 is a bottom plan view thereof.
The broken lines illustrate unclaimed portions of the cuvette tray and form no part of the claimed design. The dot-dash broken lines represent unclaimed boundaries and form no part of the claimed design.

1 Claim, 3 Drawing Sheets



(56)

References Cited

U.S. PATENT DOCUMENTS

D492,419	S	6/2004	Farina	
6,943,009	B2	9/2005	Lacey et al.	
7,128,878	B2 *	10/2006	Muser	B01L 3/5085 422/552
D546,966	S	7/2007	Kajiyama et al.	
D598,128	S *	8/2009	Pihl	B01L 3/021 D24/227
D598,566	S	8/2009	Allaer	
D601,713	S *	10/2009	Lohn	D24/226
D618,820	S	6/2010	Wilson et al.	
D620,603	S	7/2010	Talmer et al.	
D624,194	S	9/2010	Pack et al.	
7,922,986	B2	4/2011	Byrnard et al.	
D657,473	S *	4/2012	Miyashita	D24/224
D669,597	S	10/2012	Cavada et al.	
D672,881	S	12/2012	Kraihanzel	
D673,293	S	12/2012	Demas et al.	
D674,112	S	1/2013	Demas et al.	
D696,419	S *	12/2013	Fusellier	D24/230
D699,371	S *	2/2014	Williams	D24/230
8,663,582	B2	3/2014	Kuan et al.	
D728,818	S	5/2015	Burroughs et al.	
D729,942	S *	5/2015	Keizer	D24/226
D732,186	S	6/2015	Burroughs et al.	
D732,187	S *	6/2015	Houkal	D24/227
9,084,996	B2 *	7/2015	Chien	B01L 3/5085
D792,981	S	7/2017	Tajima	
D808,039	S	1/2018	Self et al.	
2005/0136546	A1 *	6/2005	Berndt	B01L 3/5085 436/45
2014/0361022	A1 *	12/2014	Finneran	B01L 9/06 220/628

* cited by examiner

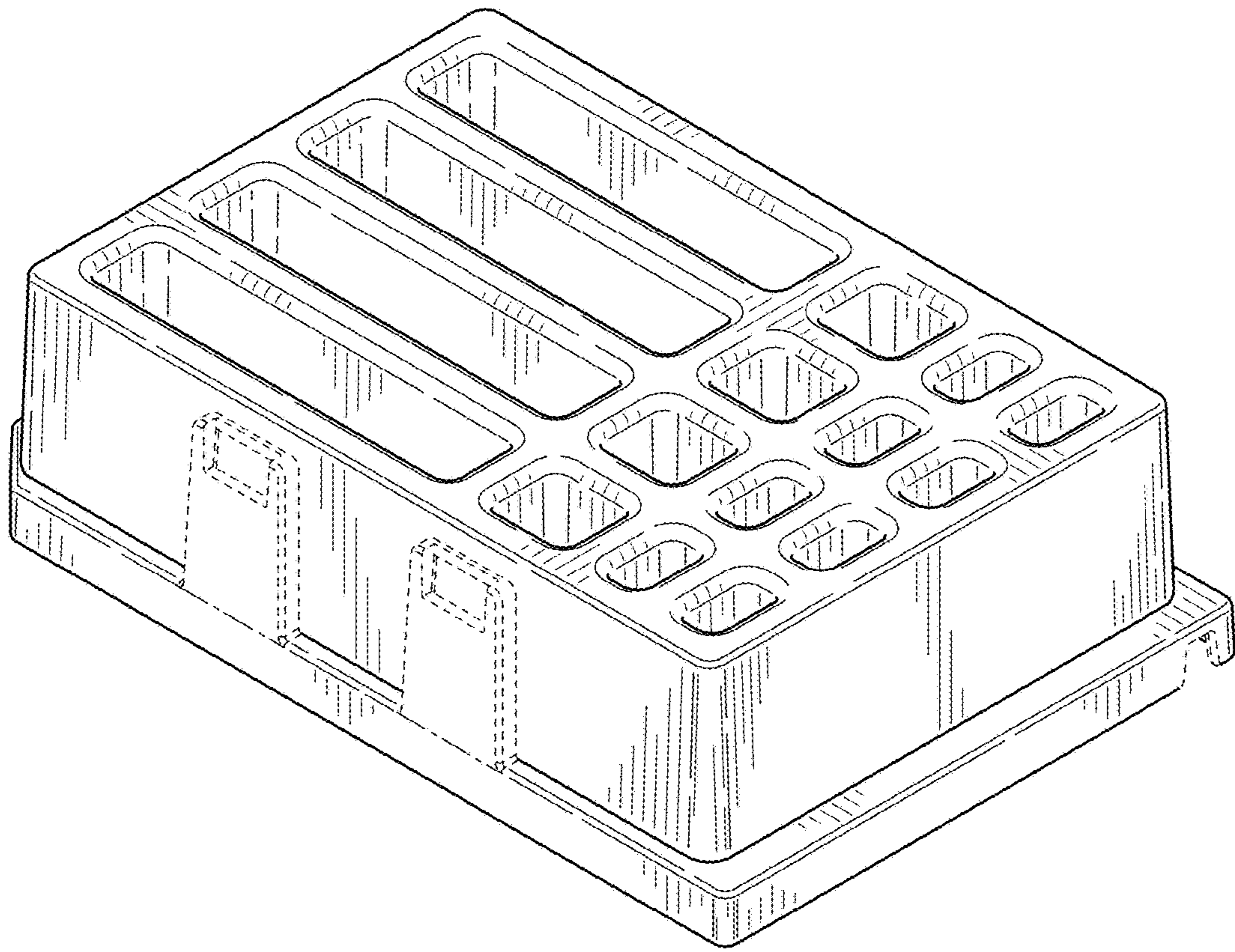


FIG. 1

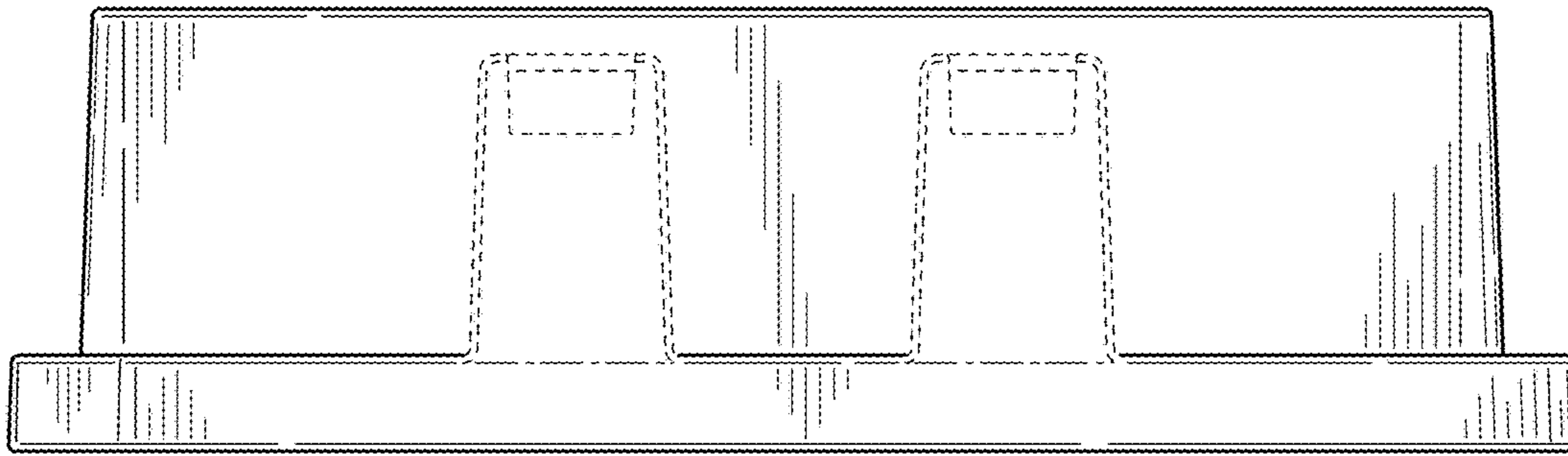


FIG. 2

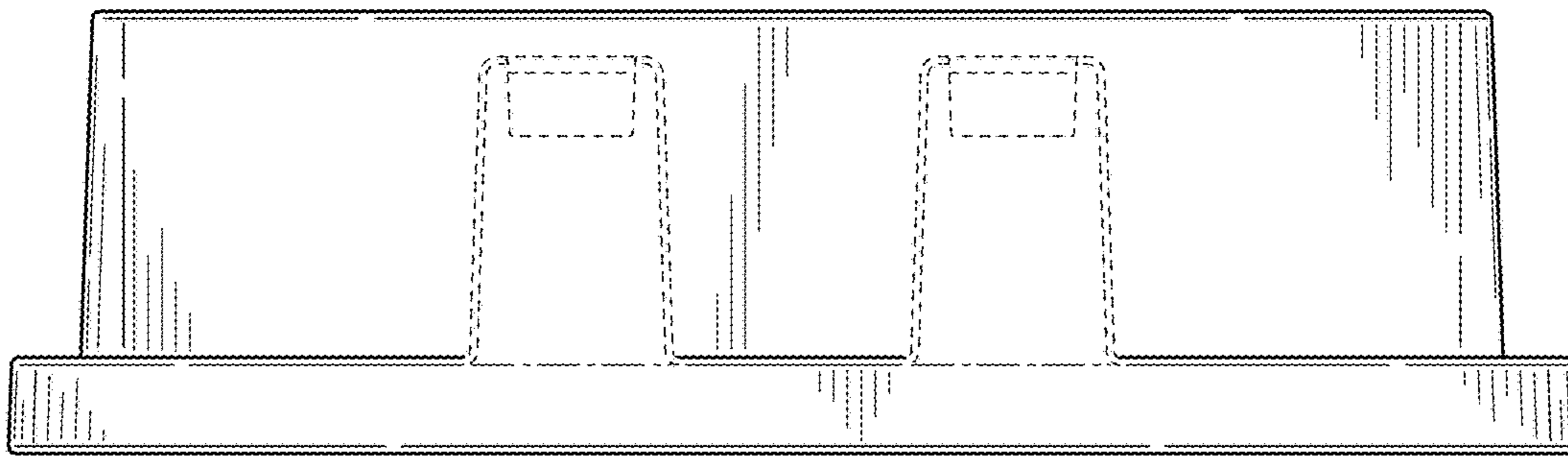


FIG. 3

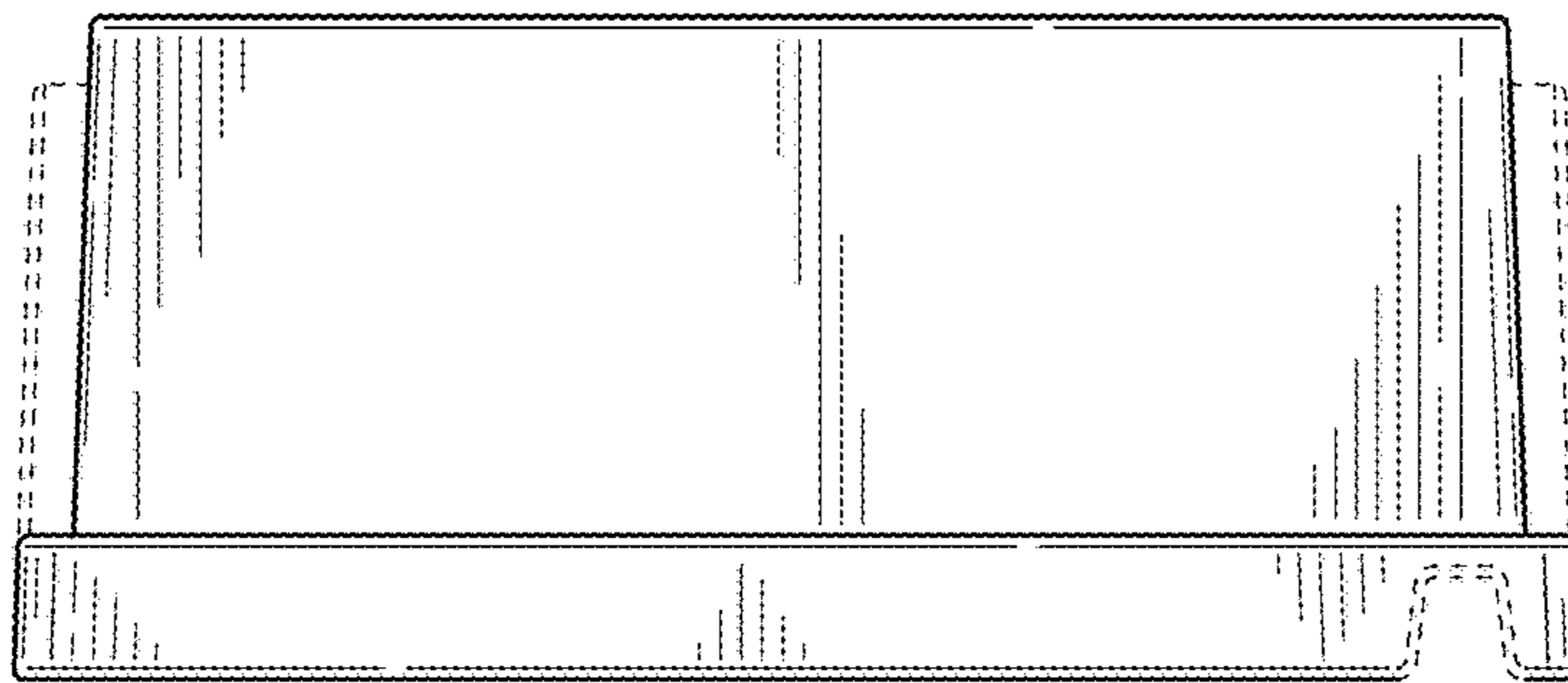


FIG. 4

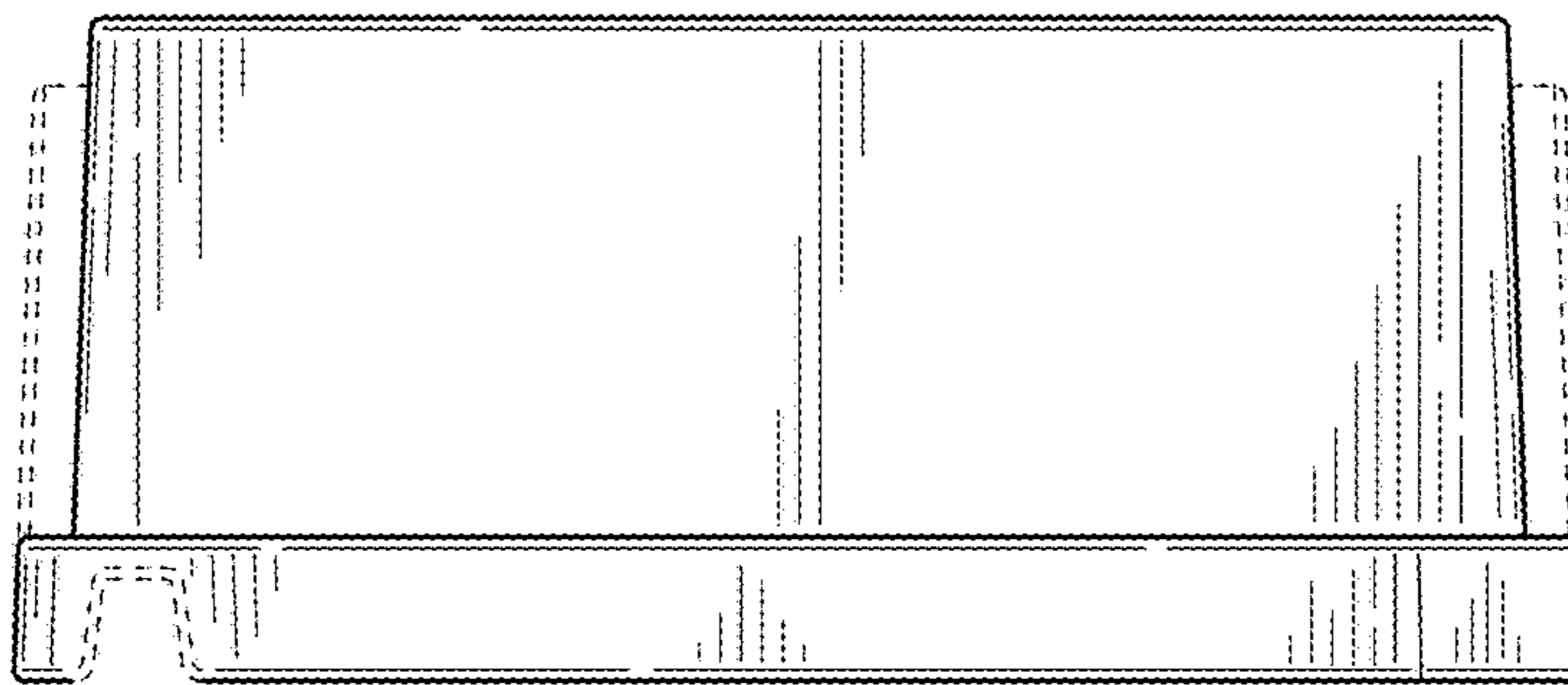


FIG. 5

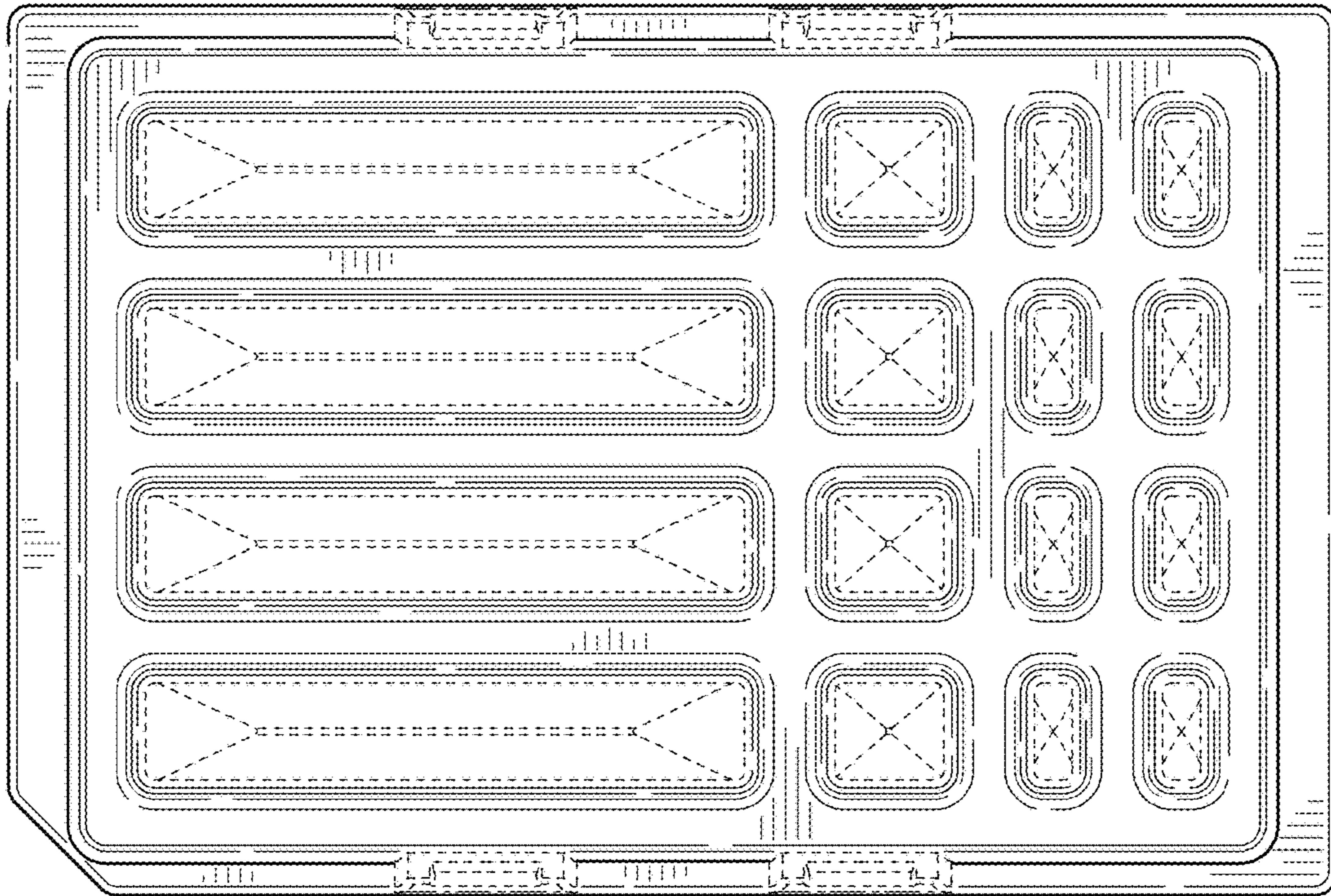


FIG. 6

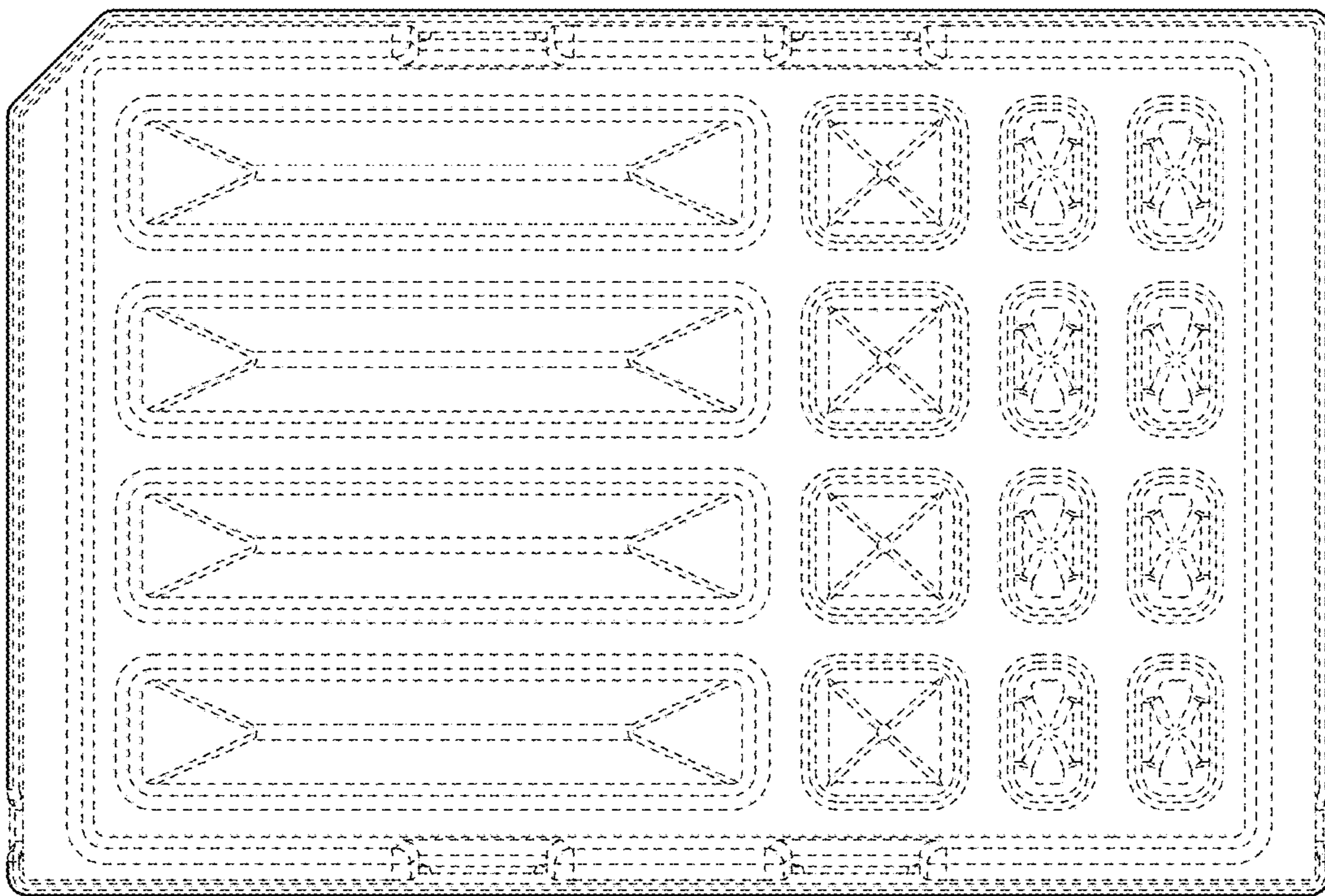


FIG. 7