



US00D838379S

(12) **United States Design Patent**  
**Trump**

(10) **Patent No.:** **US D838,379 S**  
(45) **Date of Patent:** **\*\* Jan. 15, 2019**

- (54) **SHEATH FOR A TEST TUBE**
- (71) Applicant: **Martin Trump**, Pforzheim (DE)
- (72) Inventor: **Martin Trump**, Pforzheim (DE)
- (73) Assignee: **STRATEC Biomedical AG**, Birkenfeld (DE)
- (\*\*) Term: **15 Years**
- (21) Appl. No.: **29/552,832**
- (22) Filed: **Jan. 26, 2016**

- D307,869 S \* 5/1990 Miskinis ..... D24/227
- D418,222 S \* 12/1999 Pellow ..... D24/112
- D432,245 S \* 10/2000 Stevens ..... D24/216
- D447,812 S \* 9/2001 Conway ..... D24/216
- D511,214 S \* 11/2005 Sasano ..... D10/103
- D519,868 S \* 5/2006 Sasano ..... D10/103
- D583,481 S \* 12/2008 Yamamoto ..... D24/224
- 7,574,789 B2 \* 8/2009 Reichenbach ..... B01L 3/5082  
29/455.1
- D621,951 S \* 8/2010 Bucholtz ..... D24/224
- D634,648 S \* 3/2011 Kuzmin ..... D9/724
- 7,959,866 B2 \* 6/2011 Crawford ..... B01L 3/5082  
220/23.83
- D641,491 S \* 7/2011 Bourne ..... D24/216
- D651,921 S \* 1/2012 Probst ..... D9/453

(Continued)

**Related U.S. Application Data**

- (63) Continuation of application No. 29/435,071, filed on Oct. 19, 2012.

**Foreign Application Priority Data**

- Apr. 20, 2012 (EM) ..... 002030023-0006
- (51) **LOC (11) Cl.** ..... **24-02**
- (52) **U.S. Cl.**  
USPC ..... **D24/216**
- (58) **Field of Classification Search**  
USPC ..... D24/107, 121, 133, 216, 222-230, 233;  
D9/523, 547, 549  
CPC ..... B01F 13/0025; B01J 2219/00292; B01J  
2220/64; B01L 3/14; B01L 3/021-3/0237;  
B01L 3/508-3/50825; B01L 3/52-3/523;  
G01F 11/02  
See application file for complete search history.

**References Cited**

**U.S. PATENT DOCUMENTS**

- D244,555 S \* 5/1977 Wiedmann ..... D24/224
- D281,534 S \* 11/1985 Ushikubo ..... D24/224
- D286,072 S \* 10/1986 Miller ..... D24/224
- D299,954 S \* 2/1989 Baxter ..... D24/224
- D304,972 S \* 12/1989 Baxter ..... D24/224

**OTHER PUBLICATIONS**

Heater Sheath Morgan Molten Metals Systems. [online] Published on Feb. 2, 2017. Retrieved Jul. 5, 2018 from URL: <http://www.morganmms.com/en-gb/products/foundry-products/gas-fired-heater-sheath/>.\*

(Continued)

*Primary Examiner* — Vy N Koenig  
(74) *Attorney, Agent, or Firm* — 24IP Law Group;  
Timothy DeWitt

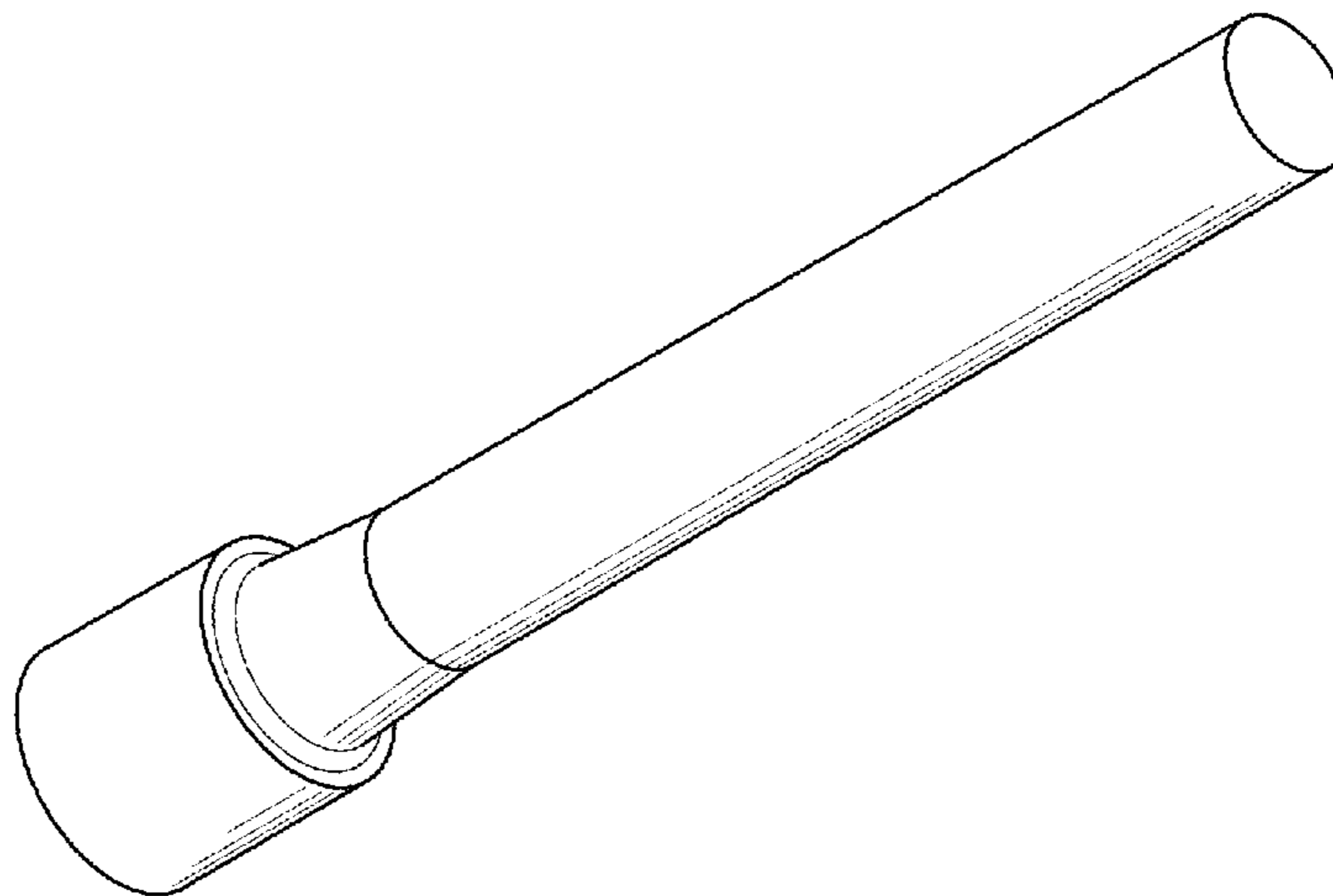
(57) **CLAIM**

The ornamental design for a sheath for a test tube, as shown and described.

**DESCRIPTION**

FIG. 1 is a side view of a sheath for a test tube showing my new design, the design with the sheath being rotationally symmetric;  
FIG. 2 is a bottom view of the design;  
FIG. 3 is a top view of the design;  
FIG. 4 is a top perspective view of the design; and,  
FIG. 5 is a bottom perspective view of the design.

**1 Claim, 5 Drawing Sheets**



(56)

**References Cited**

U.S. PATENT DOCUMENTS

D652,918 S \* 1/2012 Egli ..... D24/130  
D696,418 S \* 12/2013 Duquet ..... D24/222  
D723,180 S \* 2/2015 Klein ..... D24/216  
D743,571 S \* 11/2015 Jackson ..... D24/216  
D773,069 S \* 11/2016 Curry ..... D24/224  
2017/0072393 A1\* 3/2017 Jackson ..... G01N 1/38

OTHER PUBLICATIONS

Laboratory Test Tube Holder Unique China. [online] Published on Jul. 6, 2018. Retrieved Jul. 6, 2018 from URL: <https://3dblacklightposters.com/laboratory-test-tube-holder/laboratory-test-tube-holder-unique-china-30mm-test-tube-china-30mm-test-tube-manufacturers-and/>.\*

\* cited by examiner

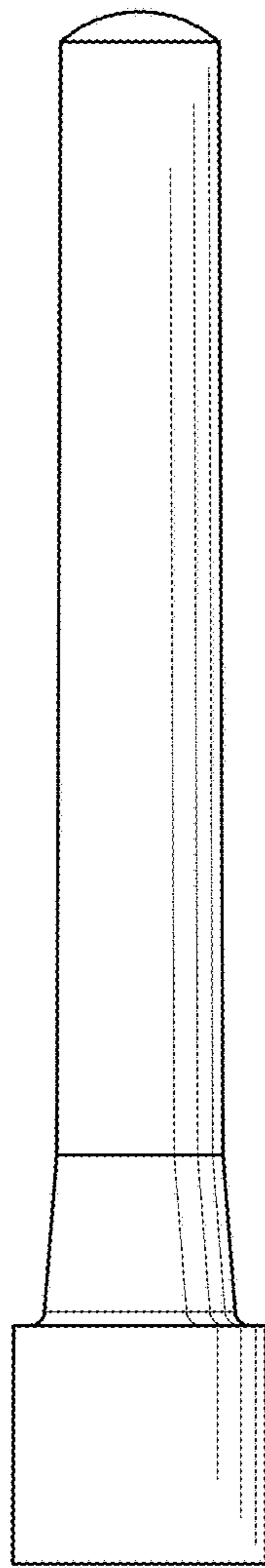


Fig. 1

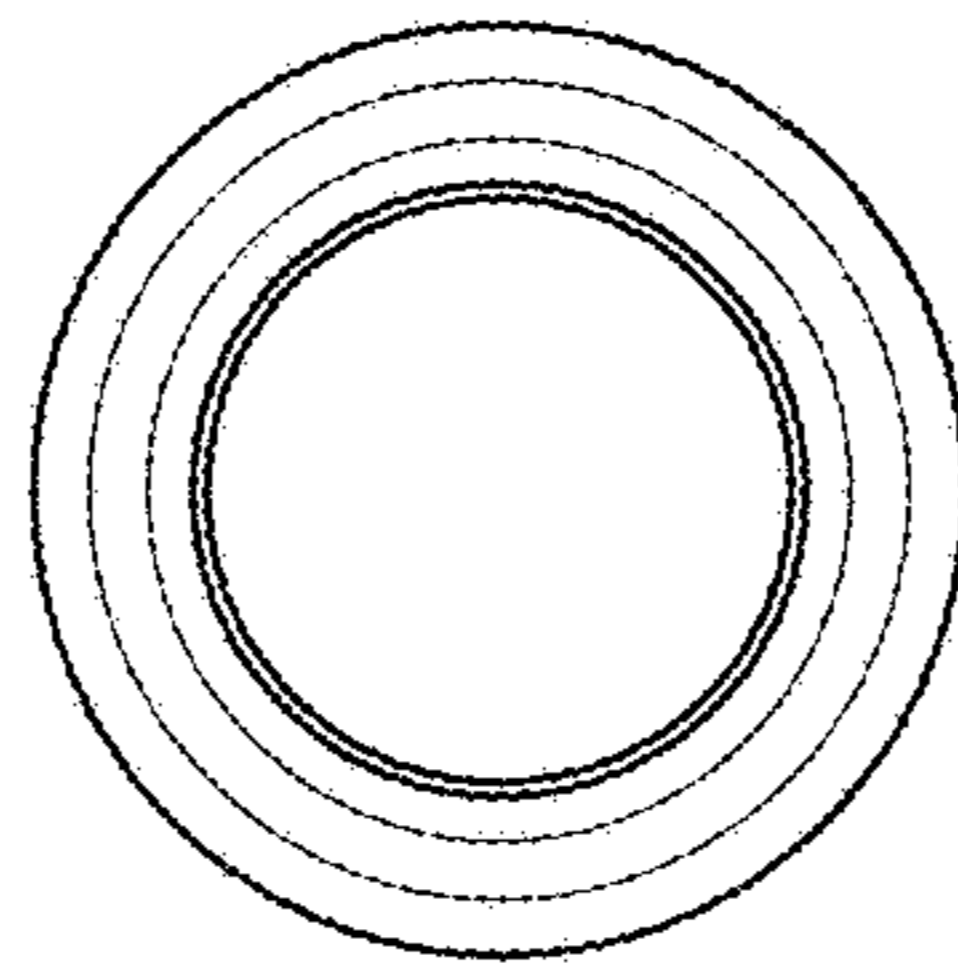


Fig. 2

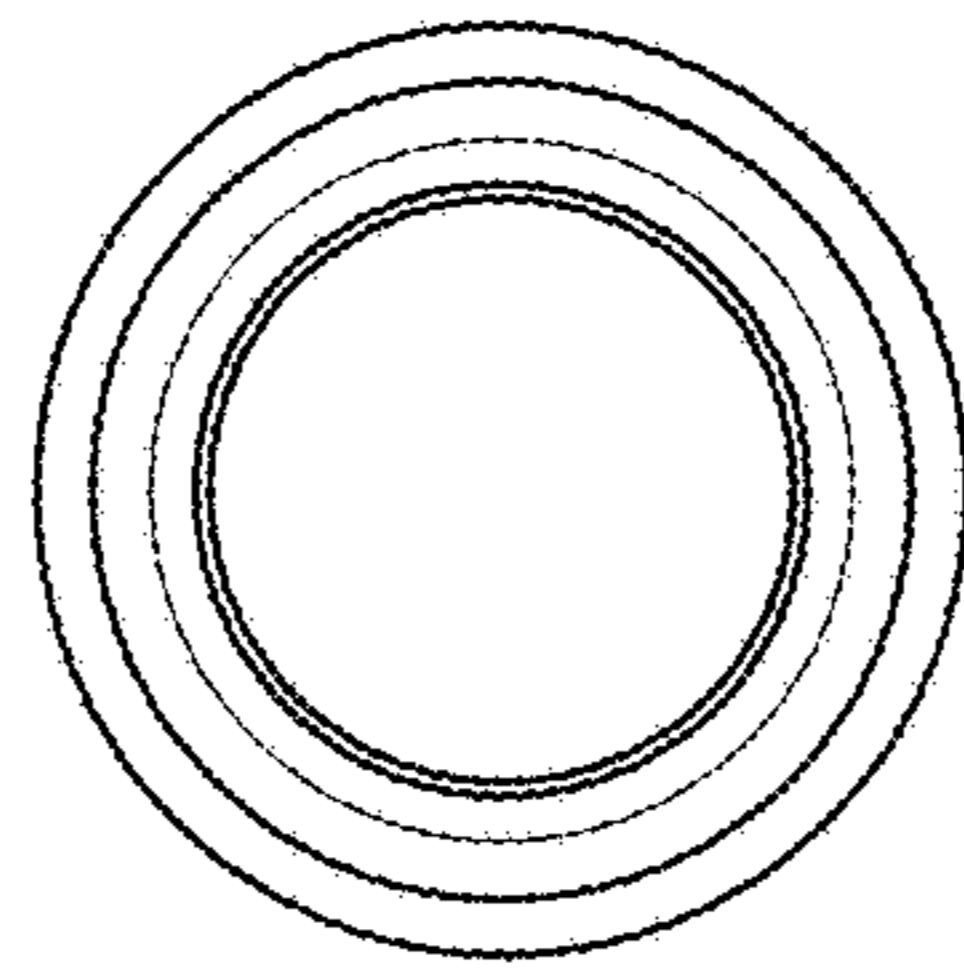


Fig. 3

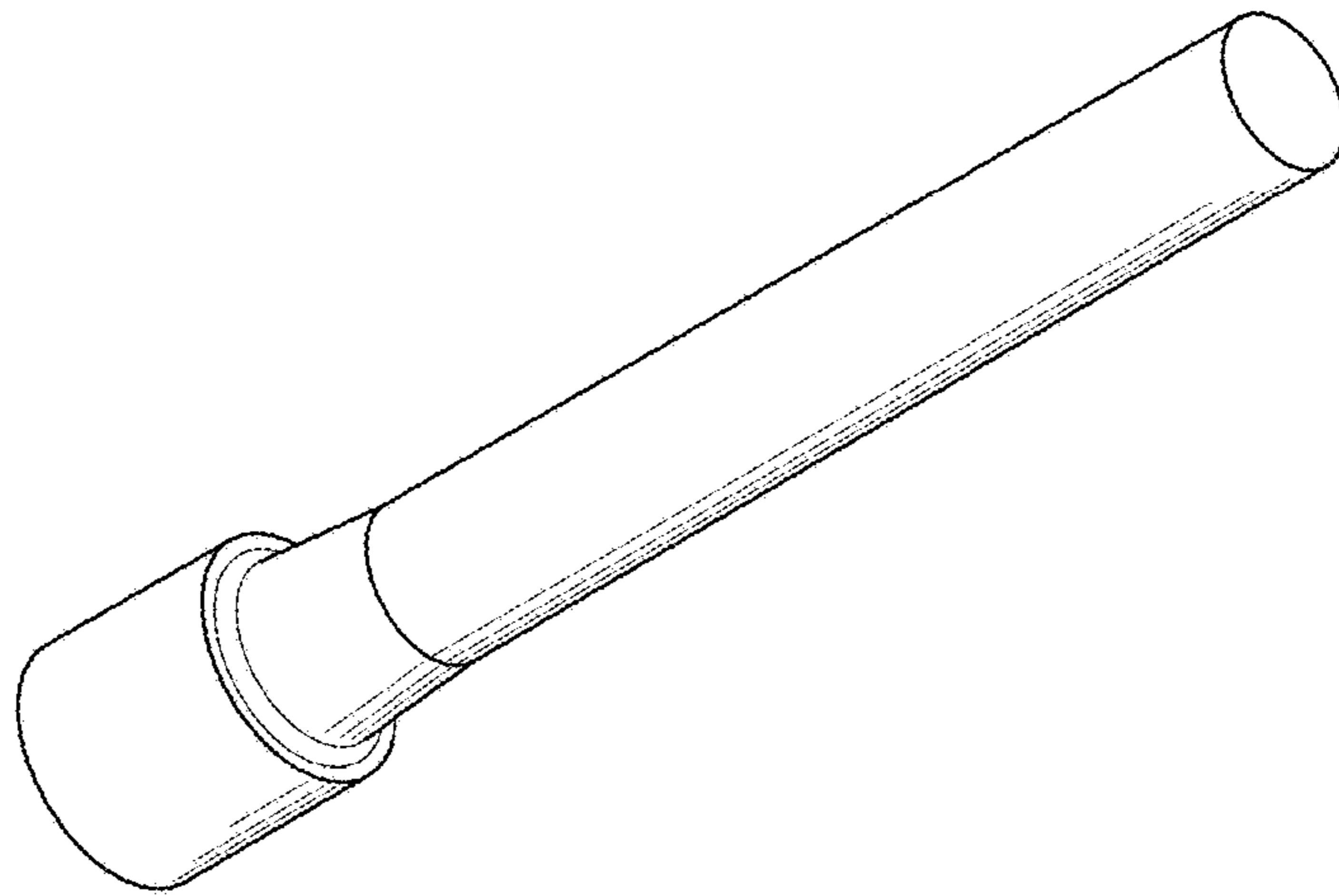


Fig. 4

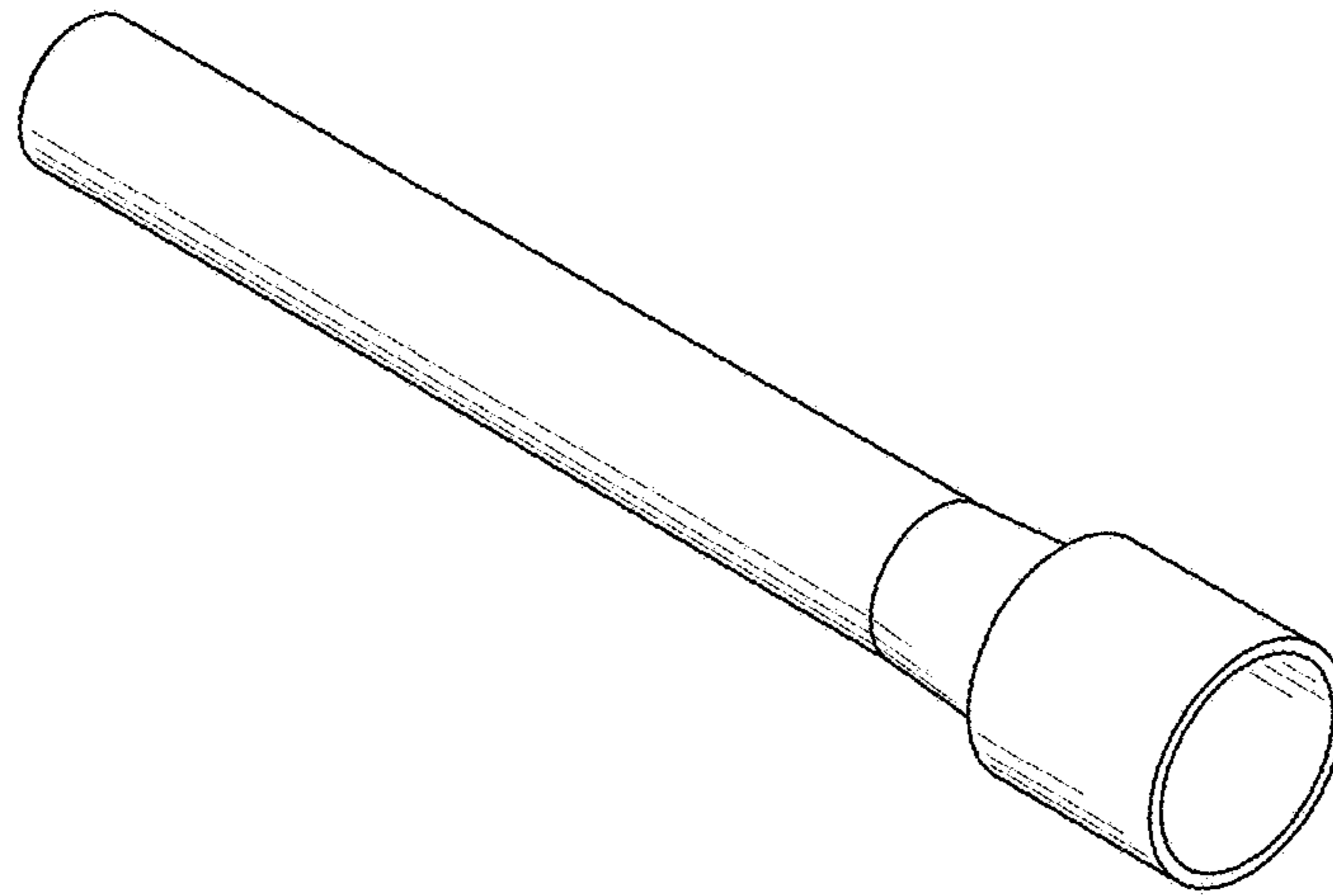


Fig. 5