



US00D838367S

(12) **United States Design Patent** (10) **Patent No.:** **US D838,367 S**
Norton et al. (45) **Date of Patent:** **** Jan. 15, 2019**

(54) **SYRINGE BARREL**
(71) Applicant: **MEDIMOP Medical Projects Ltd.,**
Ra'anana (IL)
(72) Inventors: **Paul H. Norton**, Trumbauersville, PA
(US); **Oz Cabiri**, Macabim-Reut (IL);
Richard Brough, Scottsdale, AZ (US);
Ran Hezkiah, Herzliya (IL)
(73) Assignee: **West Pharma. Services II, Ltd.,**
Ra'anana (IL)
(**) Term: **15 Years**
(21) Appl. No.: **29/597,876**
(22) Filed: **Mar. 21, 2017**

Related U.S. Application Data

(63) Continuation-in-part of application No. 29/578,898,
filed on Sep. 26, 2016.
(51) **LOC (11) Cl.** **24-02**
(52) **U.S. Cl.**
USPC **D24/130**
(58) **Field of Classification Search**
USPC D24/127-131, 112-114, 133, 186;
606/181, 185; 604/264, 523-528, 272,
604/187, 158, 164.01-164.11, 181, 184,
604/227; 600/101, 139, 143;
128/200.24, 207.14, 207.15
CPC A61M 5/178; A61M 3/00; A61M 5/20;
A61M 5/31; A61M 5/3146; A61M
5/3129; A61M 5/3148; A61M 5/315
See application file for complete search history.

References Cited

U.S. PATENT DOCUMENTS

5,858,001 A 1/1999 Tsals et al.
6,186,979 B1 2/2001 Dysarz

D460,551 S * 7/2002 Swenson D24/108
D461,244 S * 8/2002 Niermann D24/130
D461,245 S * 8/2002 Niermann D24/130
6,500,150 B1 12/2002 Gross et al.
6,824,529 B2 11/2004 Gross et al.
6,843,782 B2 1/2005 Gross et al.
7,326,194 B2 2/2008 Zinger et al.
RE40,755 E * 6/2009 McWethy D24/130
D604,839 S * 11/2009 Crawford D24/130
D605,287 S * 12/2009 Crawford D24/130
8,025,658 B2 9/2011 Chong et al.
D650,903 S * 12/2011 Kosinski D24/130
D651,308 S * 12/2011 Crawford D24/130
D657,462 S * 4/2012 Siroky D24/130
D660,420 S * 5/2012 Shaw D24/130
D667,950 S * 9/2012 Hyun D24/130
8,323,250 B2 12/2012 Chong et al.
8,647,303 B2 2/2014 Cowe
D715,428 S * 10/2014 Baid D24/130

(Continued)

Primary Examiner — David G Muller

(74) *Attorney, Agent, or Firm* — Panitch Schwarze
Belisario & Nadel LLP

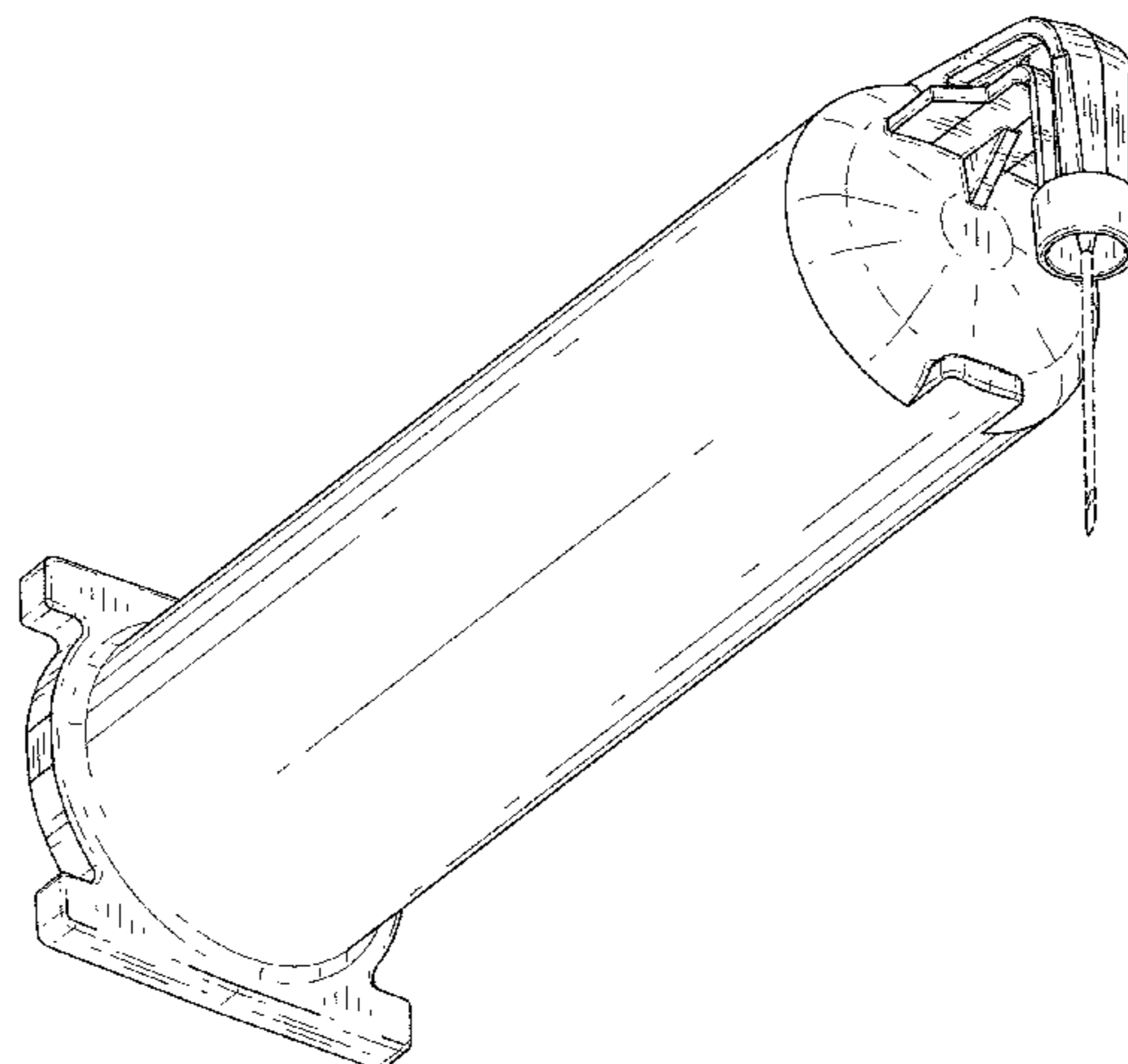
(57) **CLAIM**

The ornamental design for a syringe barrel, as shown and described.

DESCRIPTION

FIG. 1 is a front and bottom perspective view of a syringe barrel in accordance with our new design; FIG. 2 is a left side elevational view thereof; FIG. 3 is a right side elevational view thereof; FIG. 4 is a top plan view thereof; FIG. 5 is a bottom plan view thereof; FIG. 6 is a front elevational view thereof; and, FIG. 7 is a rear elevational view thereof. The broken lines in the figures are directed to environment and are for illustrative purposes only; the broken lines form no part of the claimed design.

1 Claim, 4 Drawing Sheets



(56)

References Cited

U.S. PATENT DOCUMENTS

8,986,250	B2	3/2015	Beebe et al.	
D751,699	S *	3/2016	Mills	D24/127
9,364,606	B2	6/2016	Cindrich et al.	
9,393,365	B2	7/2016	Cabiri	
2007/0021733	A1	1/2007	Hansen et al.	
2016/0051756	A1	2/2016	Cabiri	
2016/0184512	A1	6/2016	Marbet et al.	
2016/0193406	A1	7/2016	Cabiri	
2016/0199590	A1	7/2016	Schabbach et al.	
2016/0213840	A1	7/2016	Schabbach et al.	

* cited by examiner

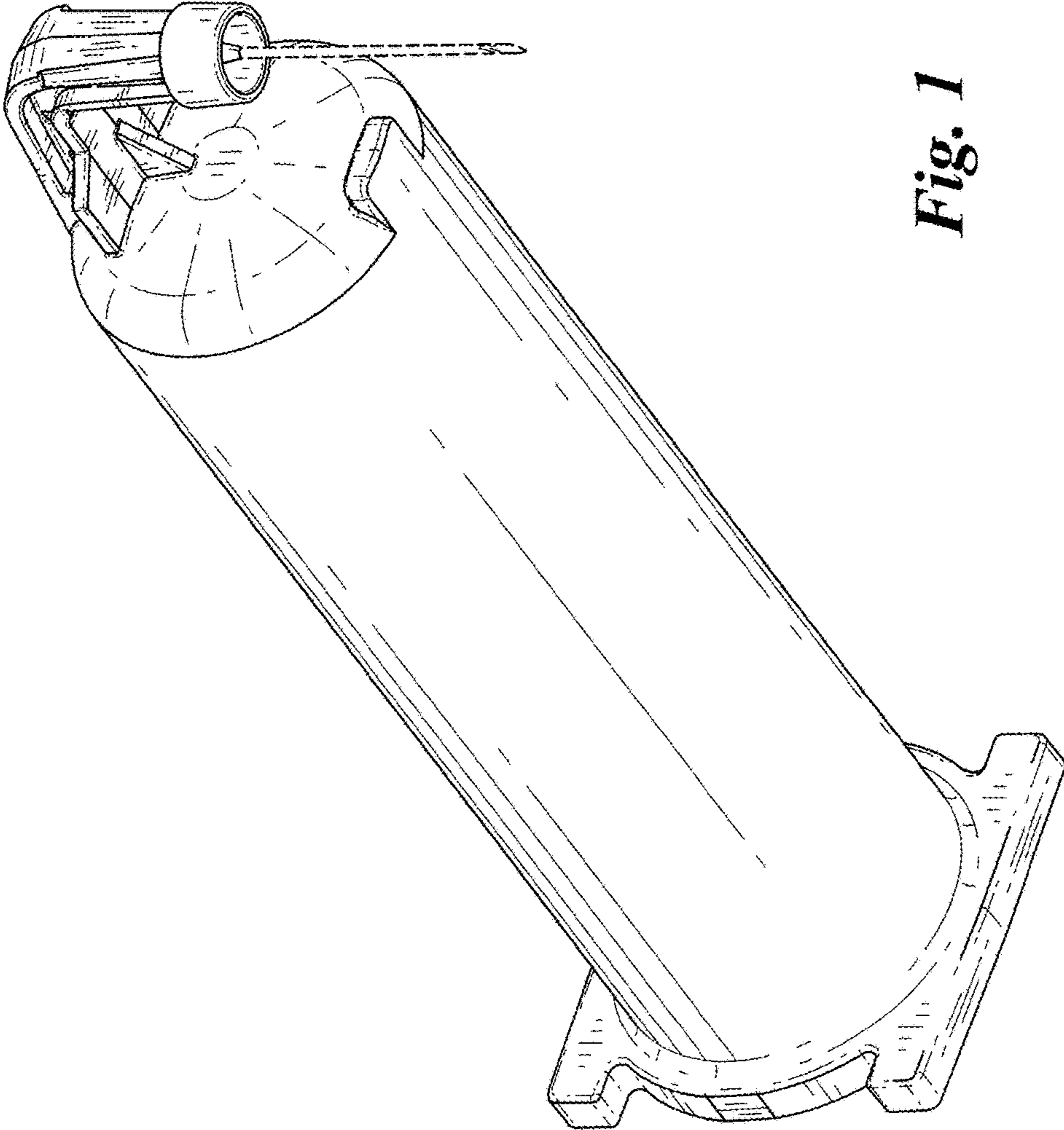


Fig. 1

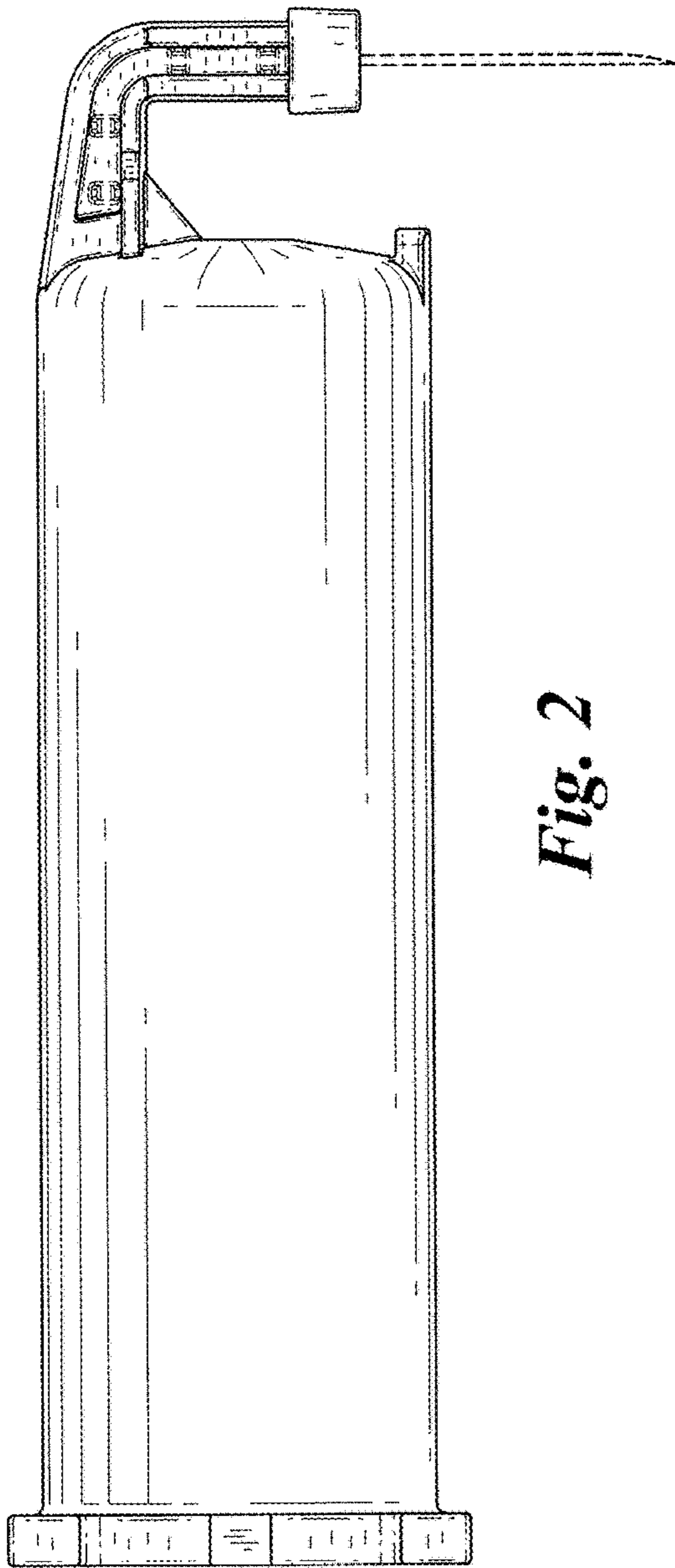


Fig. 2

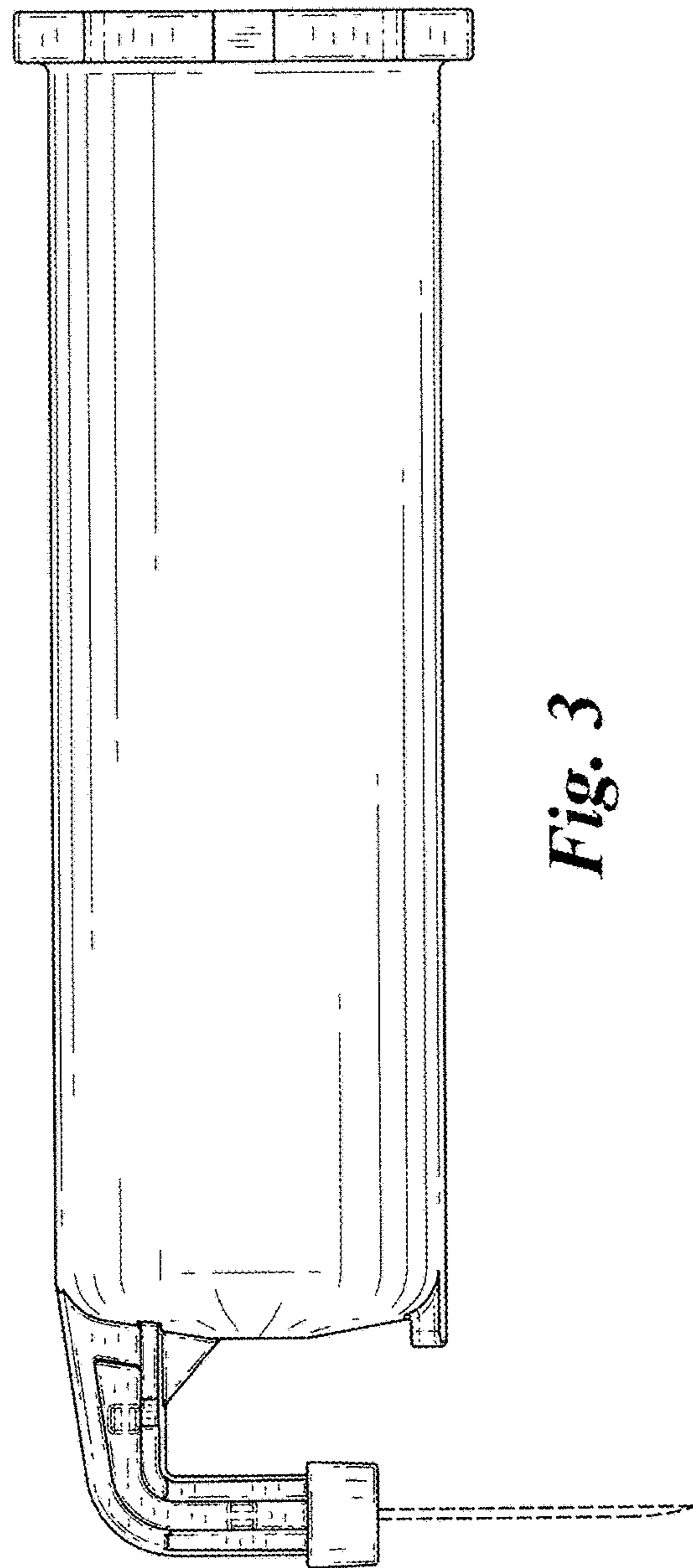


Fig. 3

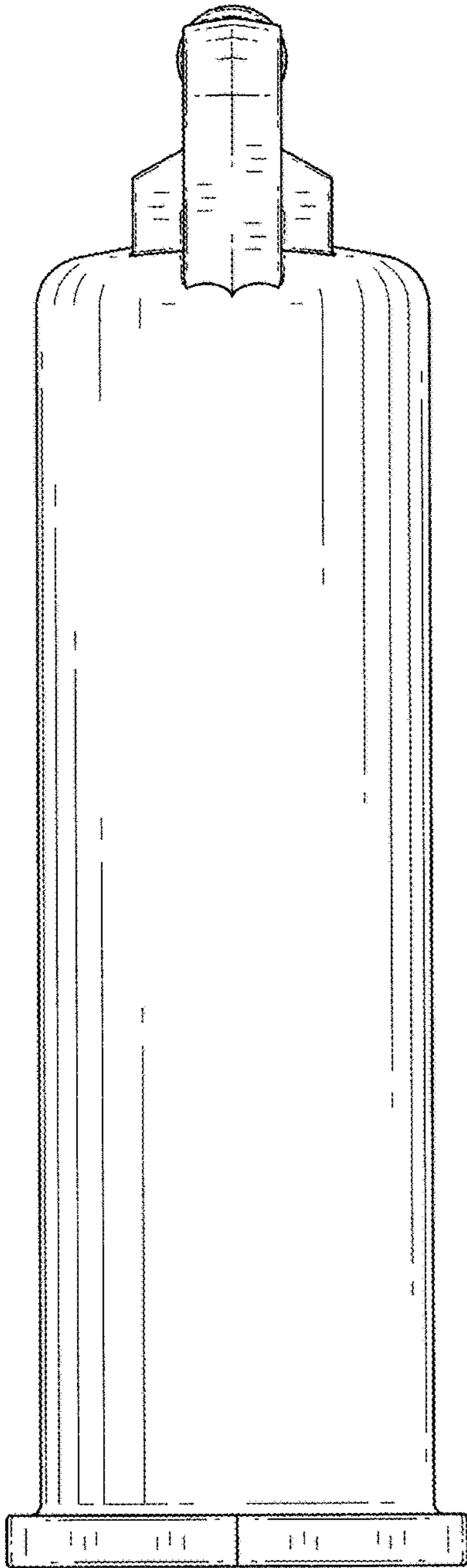


Fig. 4

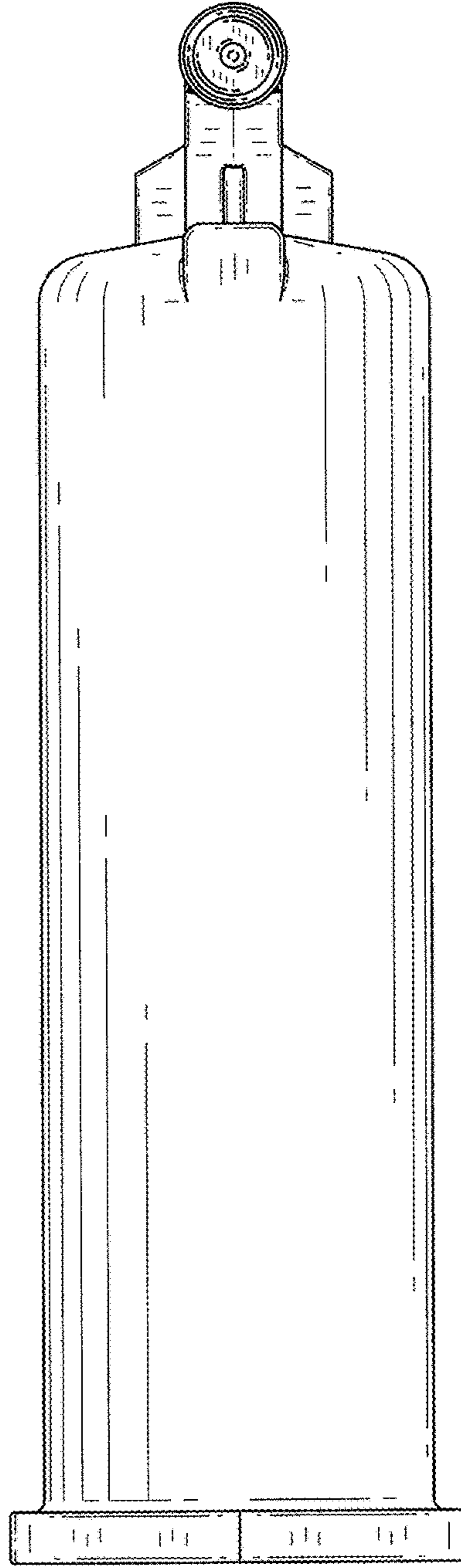


Fig. 5

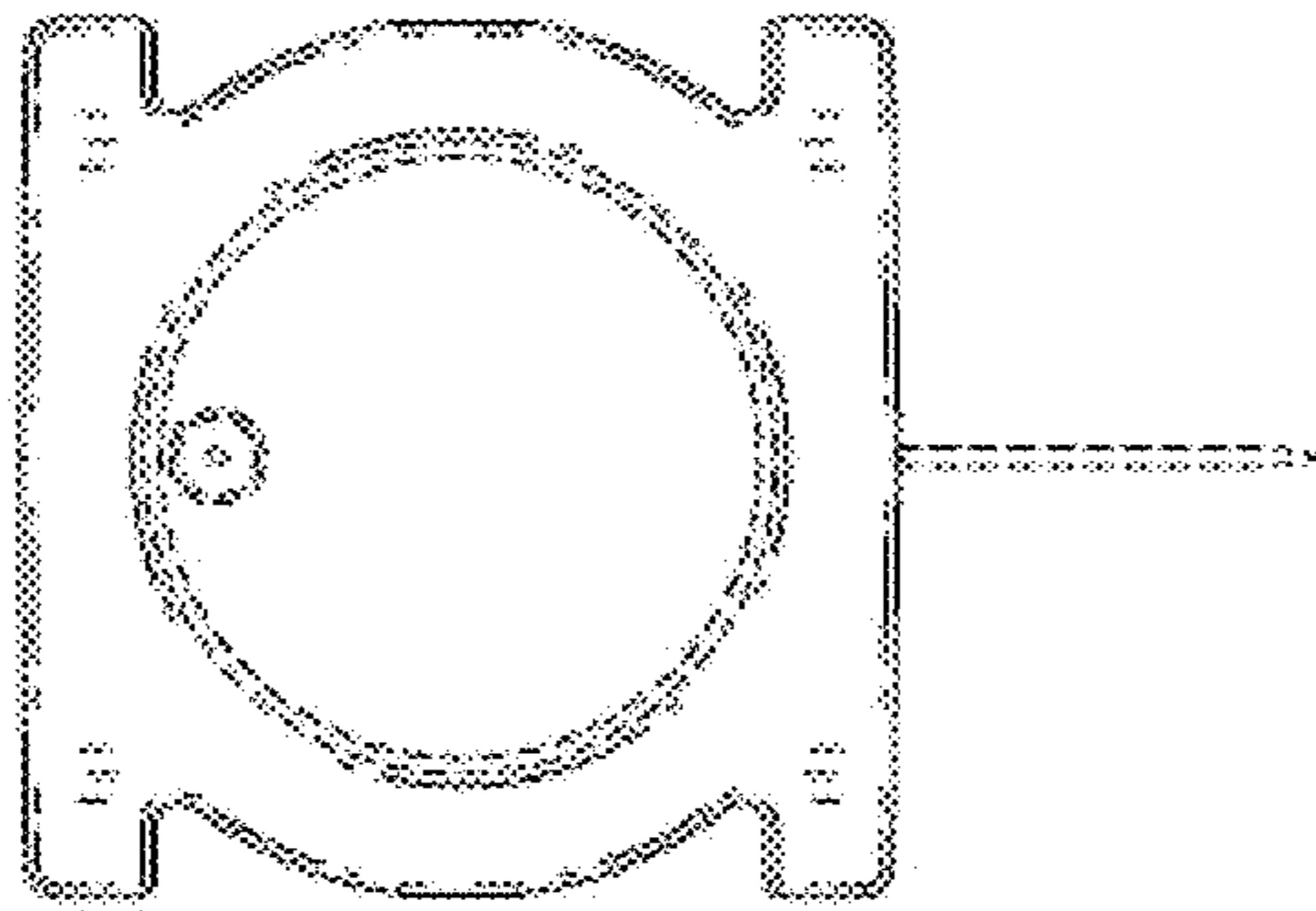


Fig. 7

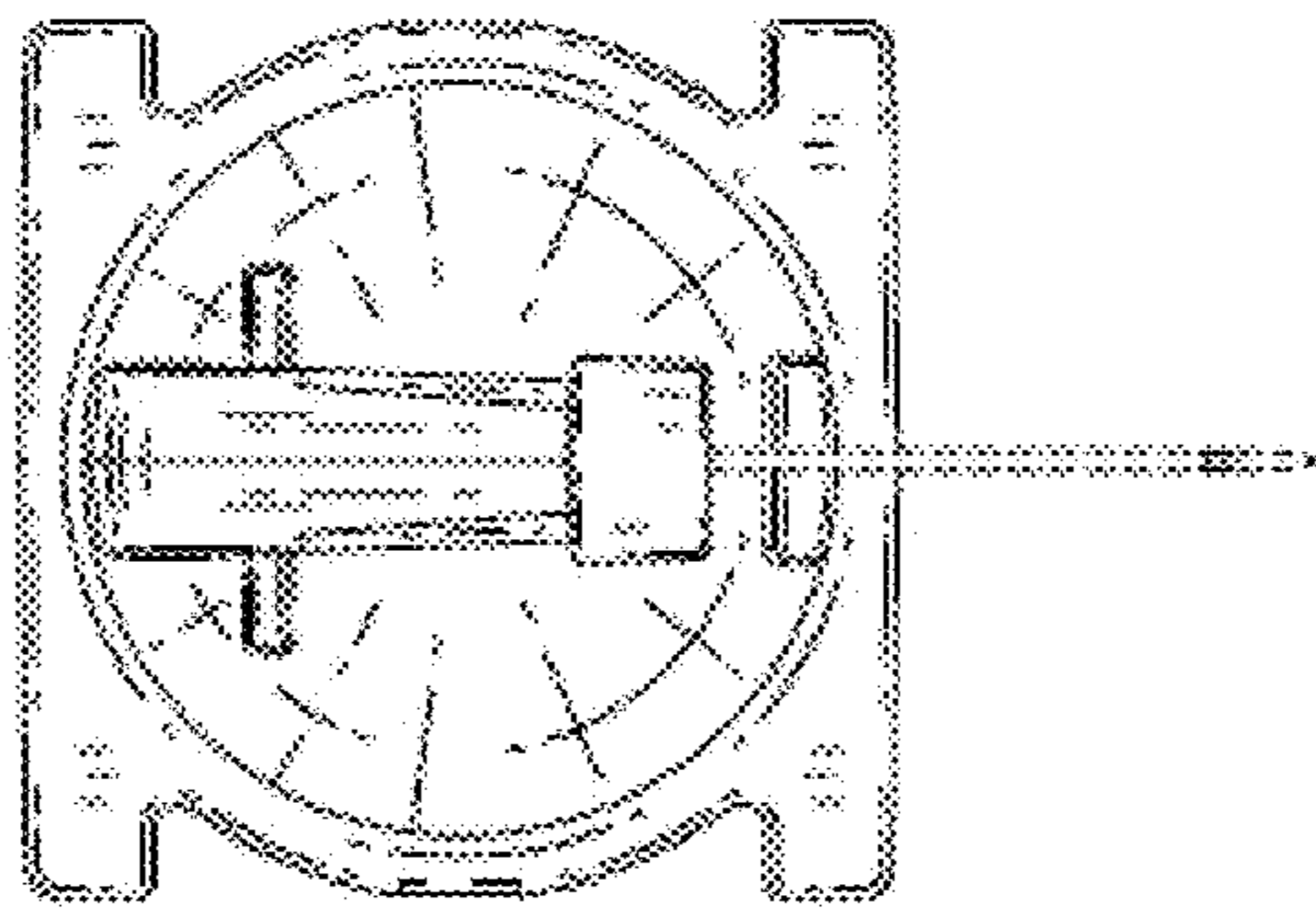


Fig. 6