



US00D838365S

(12) **United States Design Patent**  
**Eaton et al.**

(10) **Patent No.:** **US D838,365 S**

(45) **Date of Patent:** **\*\* Jan. 15, 2019**

(54) **CONTAINER HOLDER WITH A CAMERA**

(71) Applicant: **EYE DROP IMAGING TECHNOLOGY, LLC**, Fort Myers, FL (US)

(72) Inventors: **Alexander M. Eaton**, Fort Myers, FL (US); **Ruixue Liu**, Fort Myers, FL (US); **Guangjun Gao**, Fort Myers, FL (US)

(73) Assignee: **Eye Drop Imaging Technology, LLC**, Fort Myers, FL (US)

(\*\*) Term: **15 Years**

(21) Appl. No.: **29/582,875**

(22) Filed: **Oct. 31, 2016**

(51) **LOC (11) Cl.** ..... **24-02**

(52) **U.S. Cl.**  
USPC ..... **D24/128; D16/242**

(58) **Field of Classification Search**  
USPC ..... D8/354, 355, 363, 373, 382-383, D8/394-396; D14/224, 229, 238, 251, D14/447, 451, 457; D16/219, 237-250; D24/128

CPC ..... G02B 7/00  
See application file for complete search history.

(56) **References Cited**

**U.S. PATENT DOCUMENTS**

3,934,590 A \* 1/1976 Campagna ..... A61F 9/0026 604/302  
D249,709 S \* 9/1978 Trovinger ..... 604/300  
D457,952 S \* 5/2002 Sherman ..... D24/115

D463,550 S \* 9/2002 Sherman ..... D24/115  
D499,804 S \* 12/2004 Sherman ..... D24/127  
D592,304 S \* 5/2009 Kuehfuss ..... D24/128  
D611,152 S \* 3/2010 Updyke ..... D24/169  
D652,517 S \* 1/2012 Weaver ..... D24/134  
D750,773 S 3/2016 Eaton et al.  
D751,702 S 3/2016 Eaton et al.  
D808,012 S \* 1/2018 Eaton ..... D24/128  
D809,655 S \* 2/2018 Eaton ..... D24/128  
D810,288 S \* 2/2018 Eaton ..... D24/128

**FOREIGN PATENT DOCUMENTS**

WO 2014081570 A1 5/2014

\* cited by examiner

*Primary Examiner* — Garth Rademaker

*Assistant Examiner* — Melvin L Davis

(74) *Attorney, Agent, or Firm* — Yakov S. Sidorin; Quarles & Brady LLP

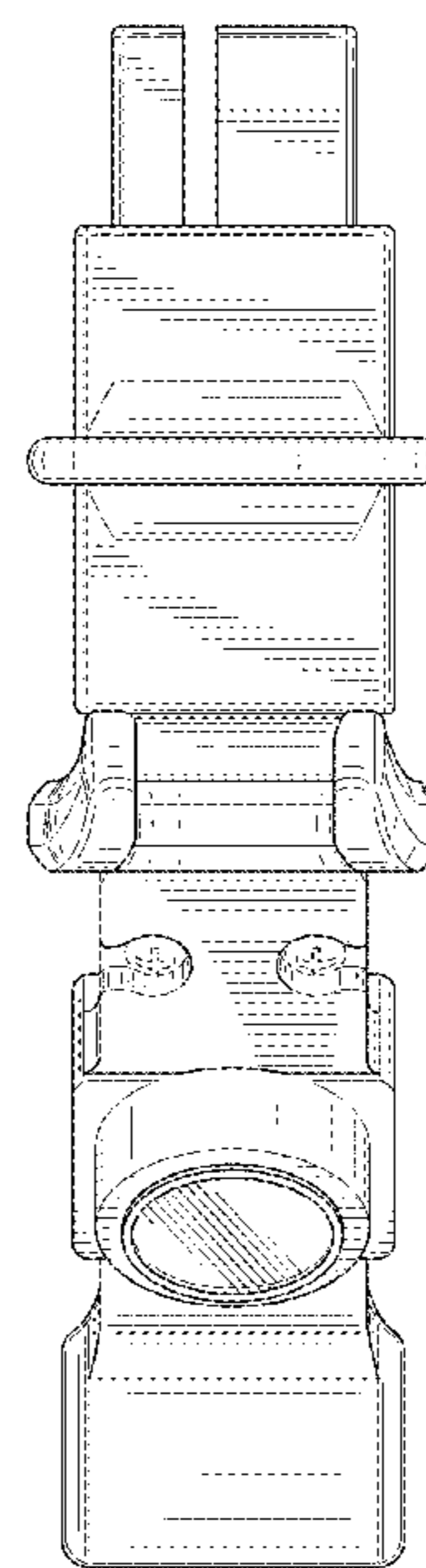
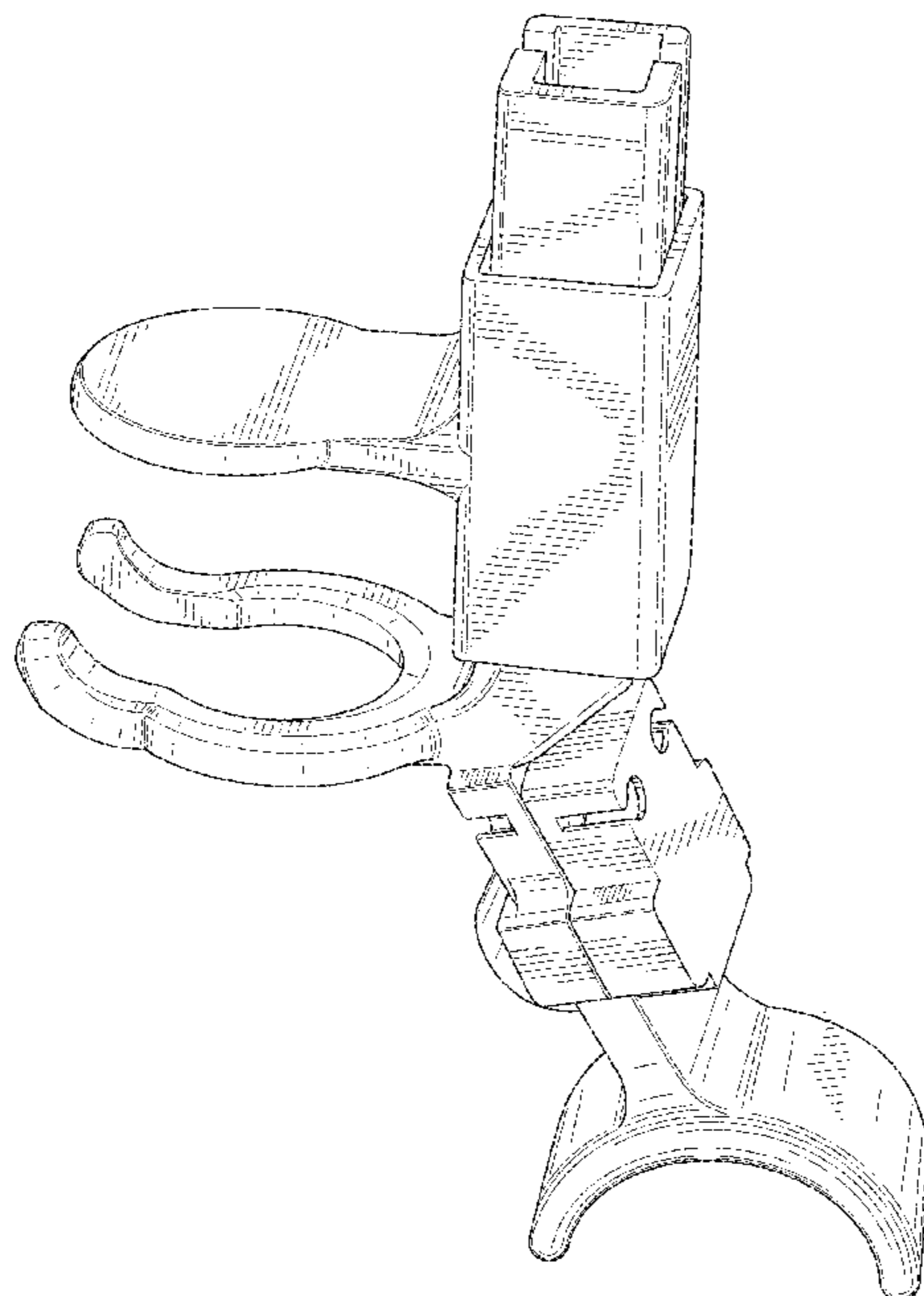
(57) **CLAIM**

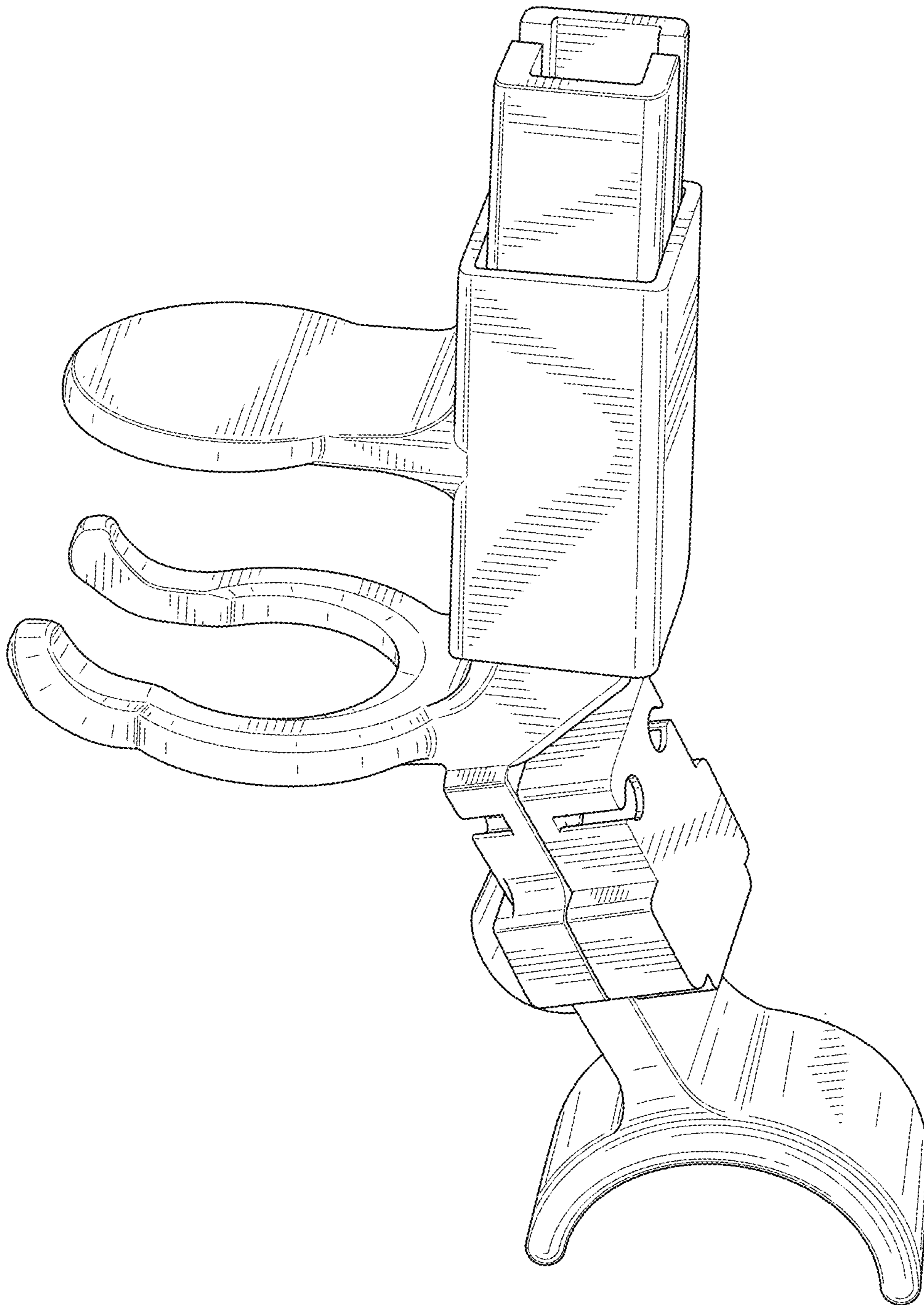
The ornamental design for a container holder with a camera, as shown and described.

**DESCRIPTION**

FIG. 1 is a perspective view of the design; FIG. 2 is a first elevational view thereof; FIG. 3 is a second elevational view thereof; FIG. 4 is a third elevational view thereof; FIG. 5 is a fourth elevational view thereof; FIG. 6 is a top plan view thereof; and, FIG. 7 is a bottom plan view thereof. The broken lines depicts portions of the article that form no part of the claimed design.

**1 Claim, 7 Drawing Sheets**





**FIG. 1**

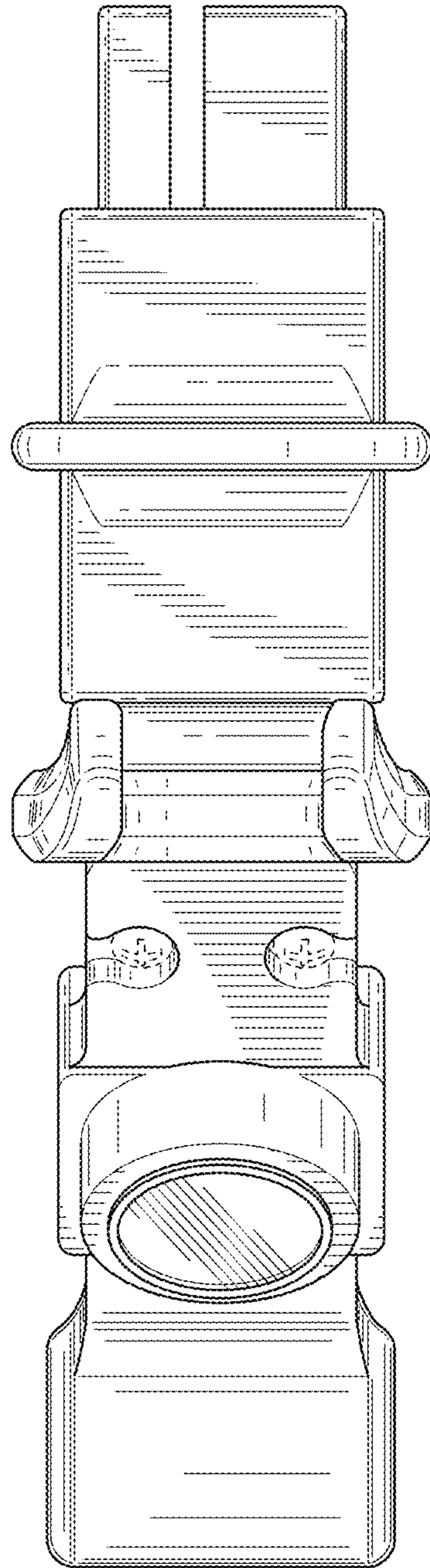
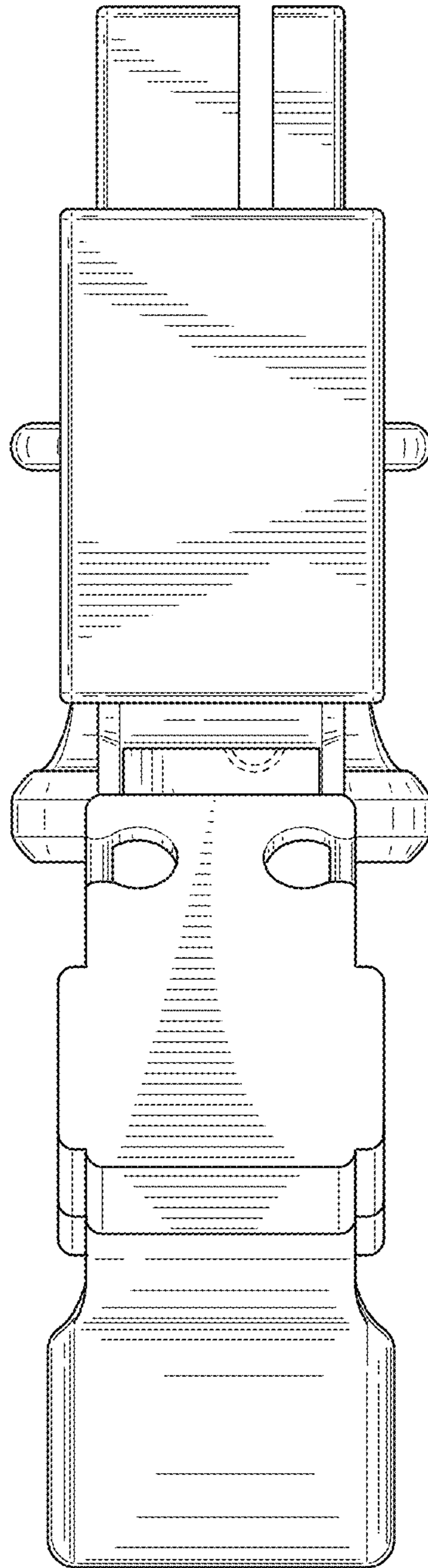


FIG. 2



**FIG. 3**

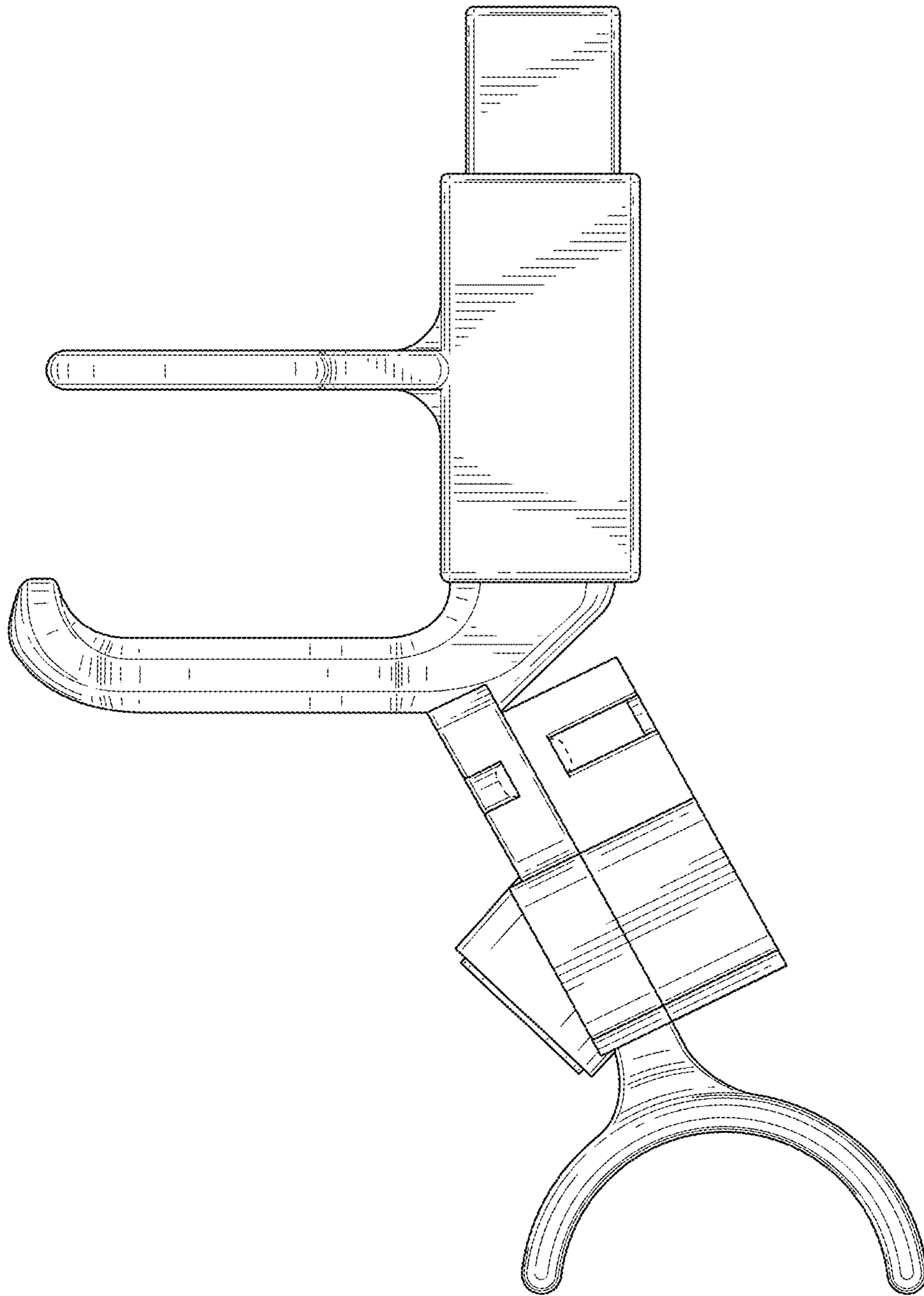


FIG. 4

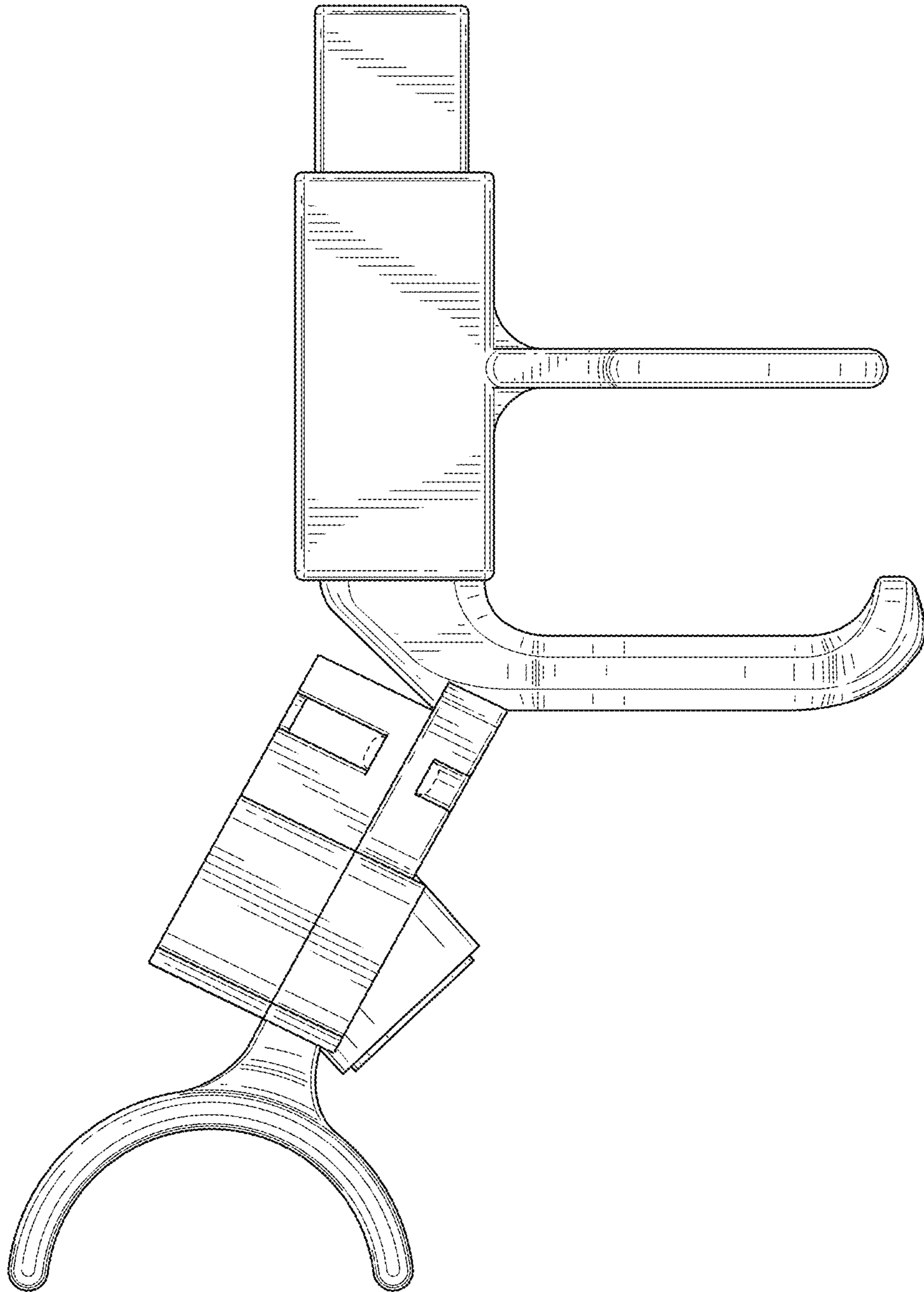


FIG. 5

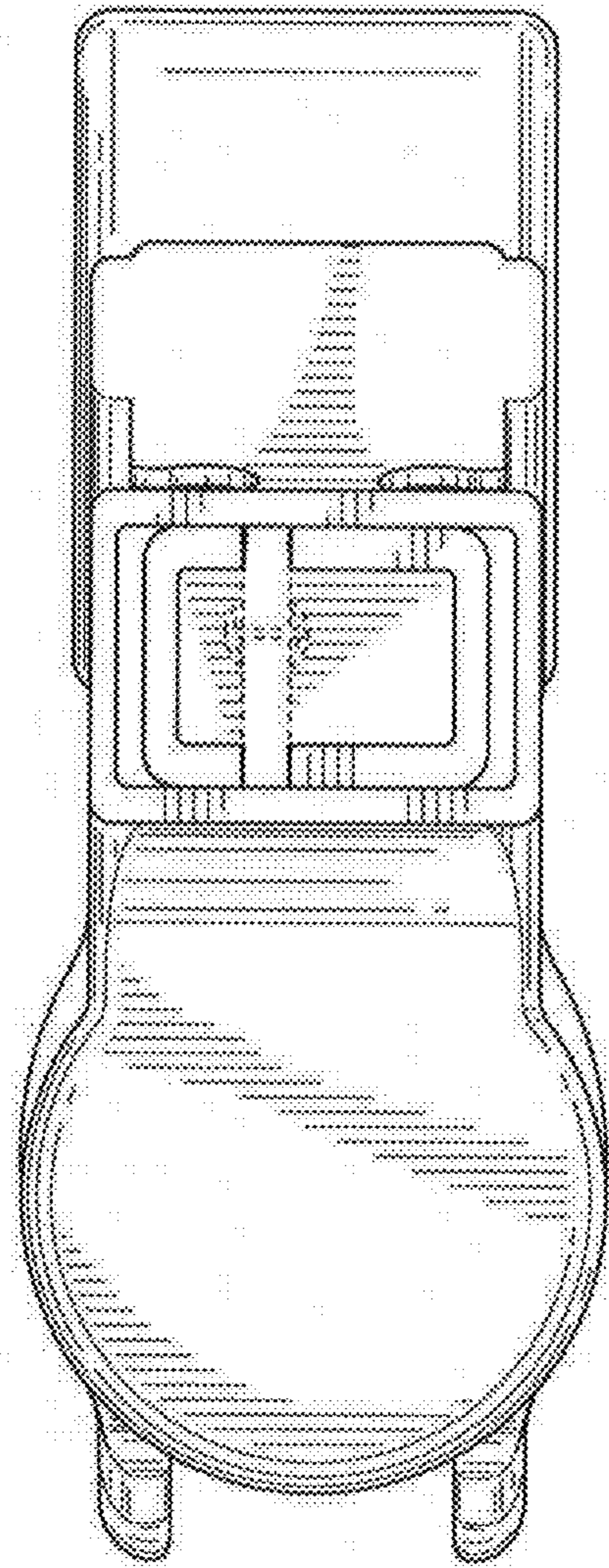


FIG. 6

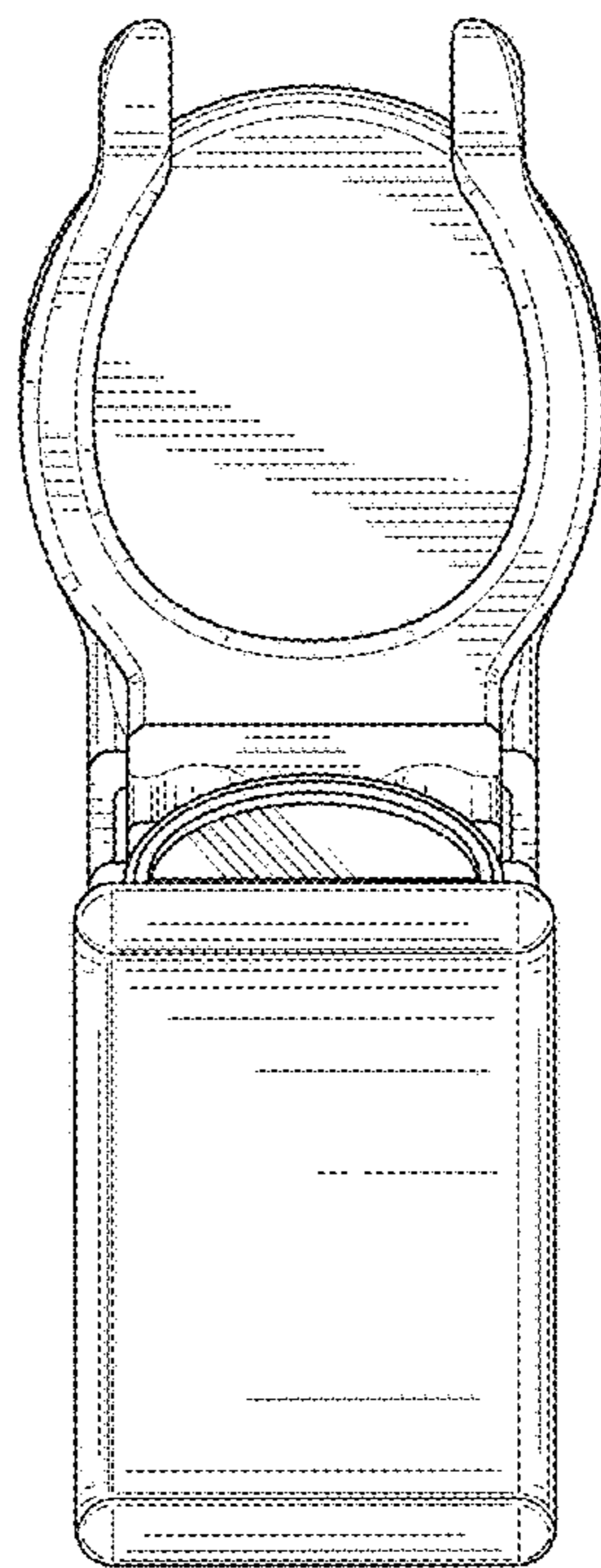


FIG. 7