



US00D838364S

(12) **United States Design Patent**
Letton

(10) **Patent No.:** **US D838,364 S**

(45) **Date of Patent:** **** Jan. 15, 2019**

(54) **HUMIDIFICATION CHAMBER SEAL**

(71) Applicant: **Fisher & Paykel Healthcare Limited,**
Auckland (NZ)

(72) Inventor: **Andrew Martin Letton,** Auckland
(NZ)

(73) Assignee: **FISHER & PAYKEL HEALTHCARE LIMITED,** Auckland (NZ)

(**) Term: **15 Years**

(21) Appl. No.: **29/624,513**

(22) Filed: **Nov. 1, 2017**

(51) **LOC (11) Cl.** **24-02**

(52) **U.S. Cl.**
USPC **D24/127**

(58) **Field of Classification Search**
USPC D24/127-131, 110, 110.5, 186;
128/200.24, 207.14, 207.15, 203.12
CPC . A61M 16/16; A61M 16/0066; A61M 16/109
See application file for complete search history.

(56) **References Cited**

U.S. PATENT DOCUMENTS

- 4,369,777 A * 1/1983 Lwoff A61F 7/00
128/200.16
- D485,906 S * 1/2004 Danssaert D24/131
- 7,617,823 B2 * 11/2009 DiMatteo A61M 16/0066
128/204.18
- 7,722,016 B2 * 5/2010 Bradley A61M 16/167
261/70
- 7,975,688 B1 * 7/2011 Truitt A61M 16/0066
128/200.24

- D643,114 S * 8/2011 Virr D24/110
- D644,320 S * 8/2011 Virr D24/110
- 8,092,414 B2 * 1/2012 Schnell A61M 1/3639
210/741
- D694,882 S * 12/2013 Stark D24/131
- D699,843 S * 2/2014 Stark D24/131
- D794,783 S * 8/2017 Waimberk D24/131
- D804,664 S * 12/2017 Waimberk D24/131
- 10,004,871 B2 * 6/2018 Kat A61M 16/16

* cited by examiner

Primary Examiner — David G Muller

(74) *Attorney, Agent, or Firm* — Knobbe, Martens, Olson and Bear, LLP

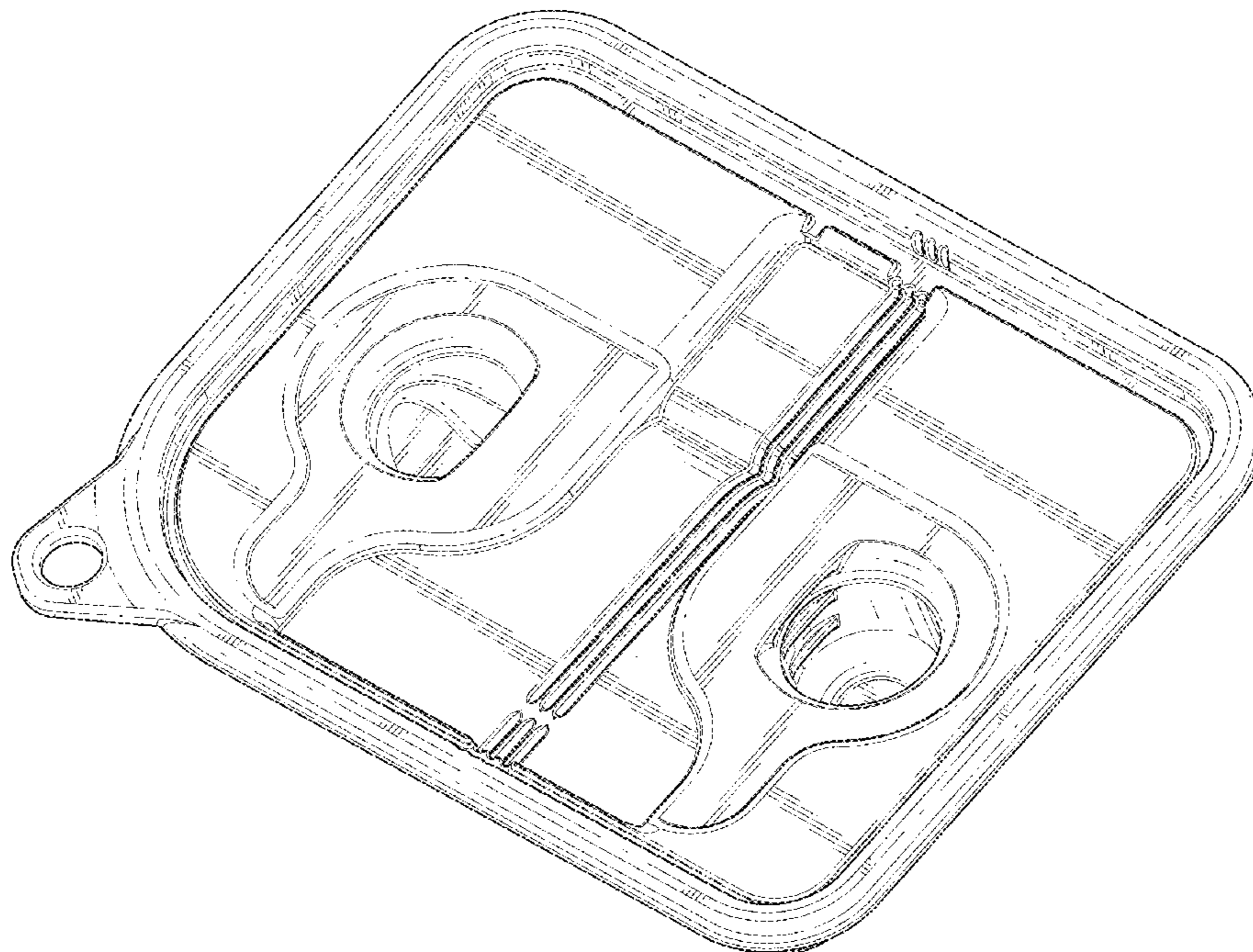
(57) **CLAIM**

The ornamental design for a humidification chamber seal, as shown and described.

DESCRIPTION

FIG. 1 shows a bottom, front, and side perspective view of a humidification chamber seal embodying our design; FIG. 2 shows a top, front, and side perspective view thereof; FIG. 3 shows a bottom view thereof; FIG. 4 shows a top view thereof; FIG. 5 shows a front view thereof; FIG. 6 shows a rear view thereof; FIG. 7 shows a side view thereof; FIG. 8 shows another side view thereof; FIG. 9 is a cross-sectional view thereof taken along the 9-9 line of FIG. 3; and, FIG. 10 is a cross-sectional view thereof taken along the 10-10 line of FIG. 3.

1 Claim, 7 Drawing Sheets



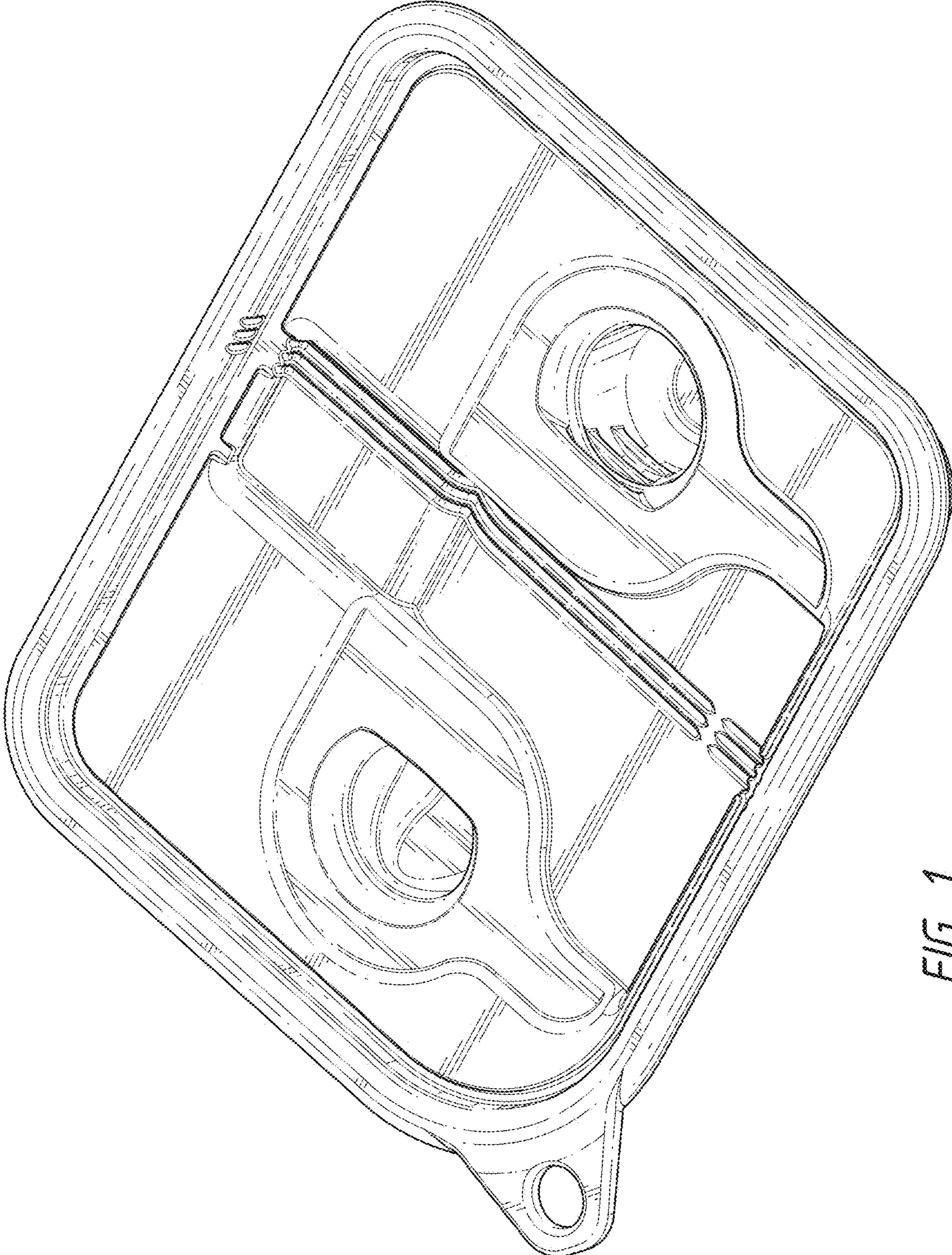


FIG. 1

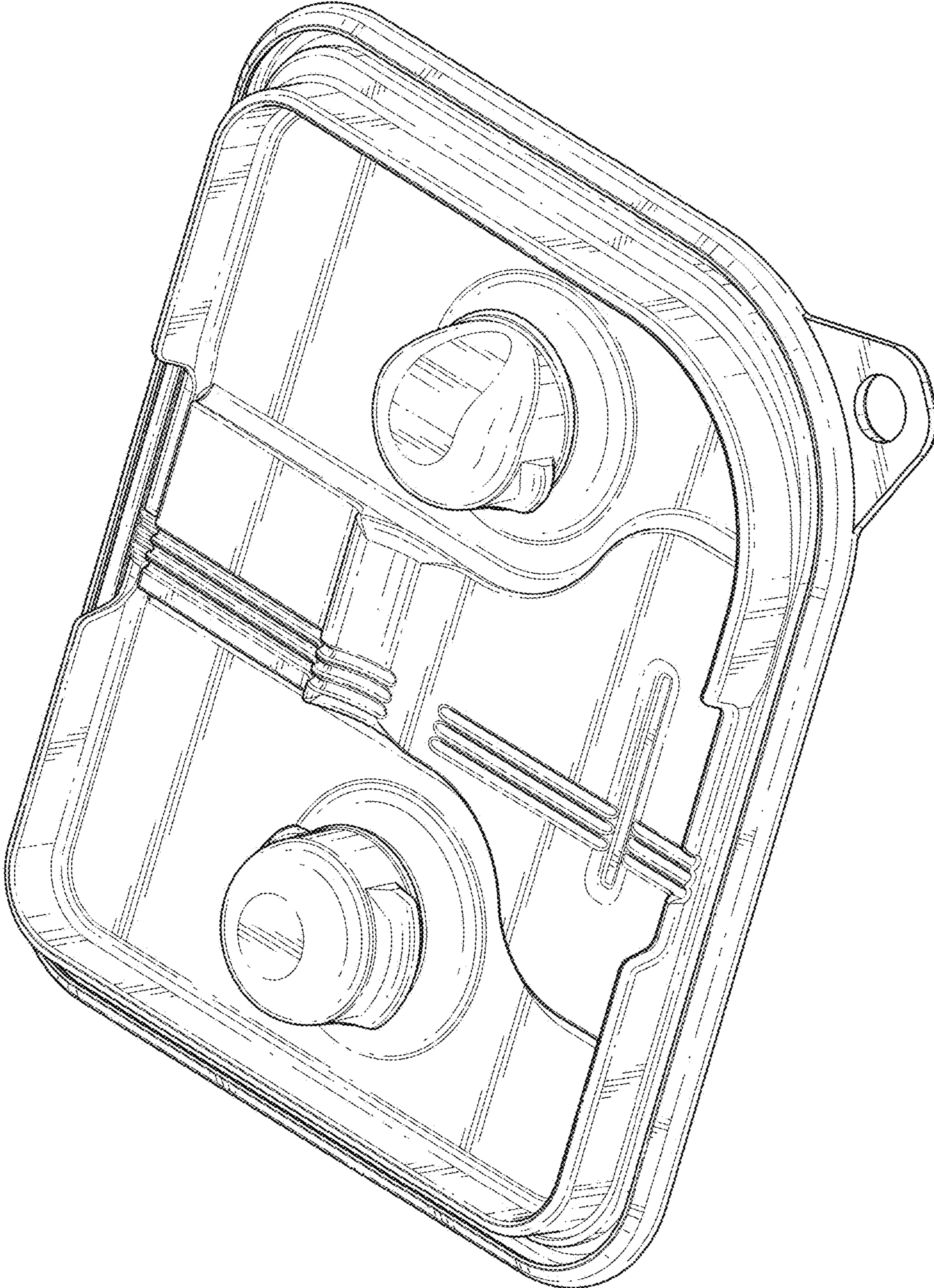


FIG. 2

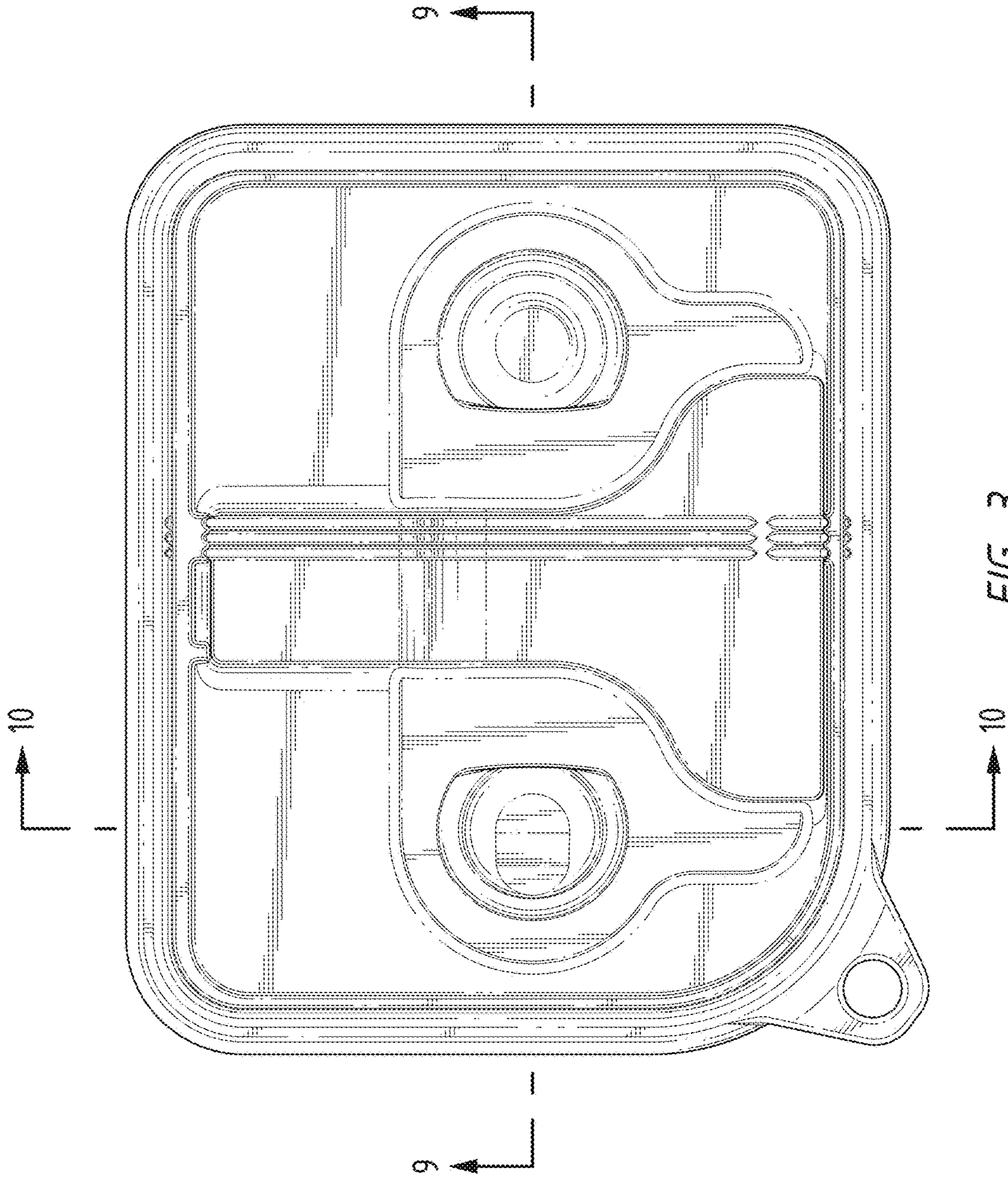


FIG. 3

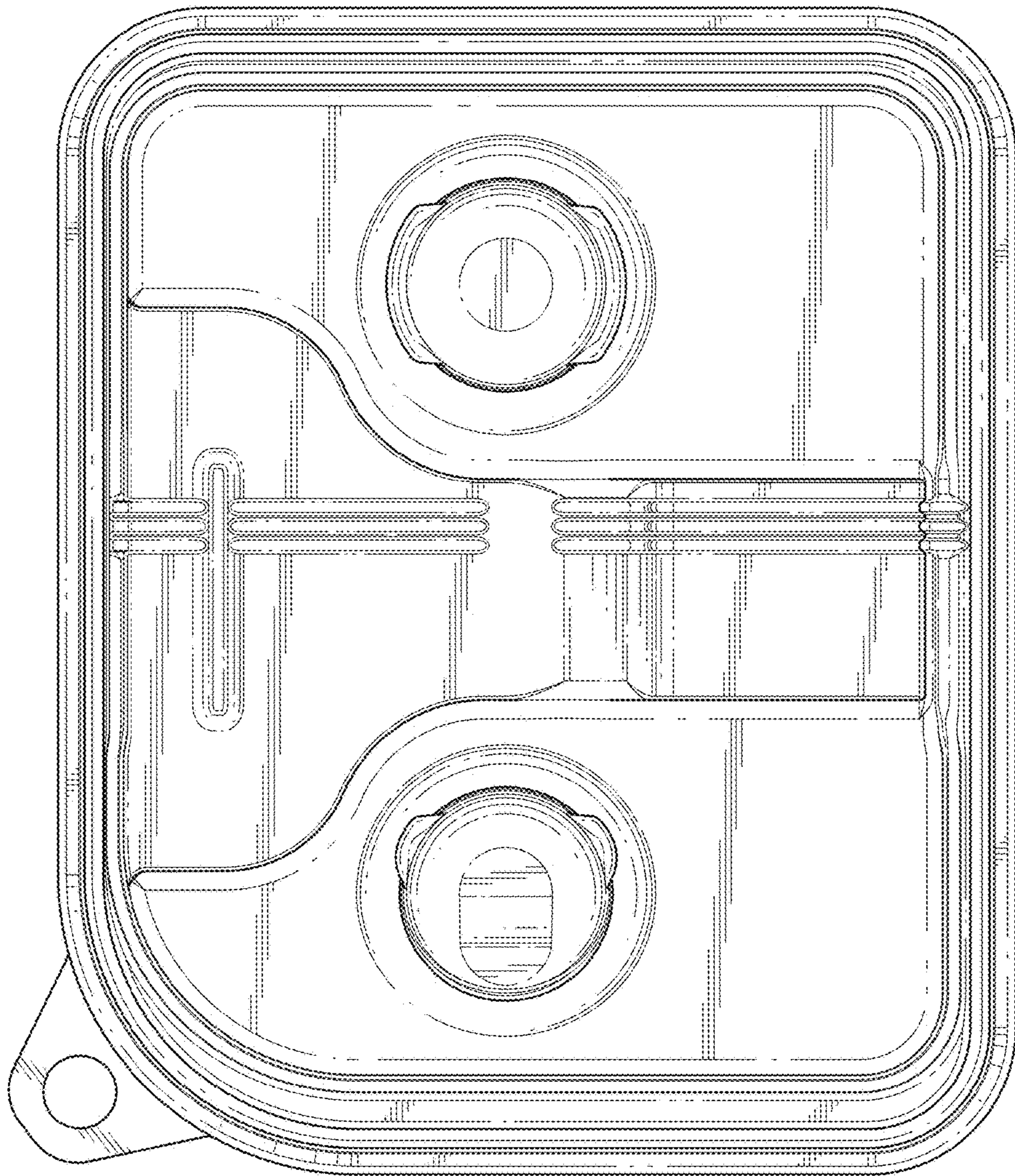


FIG. 4

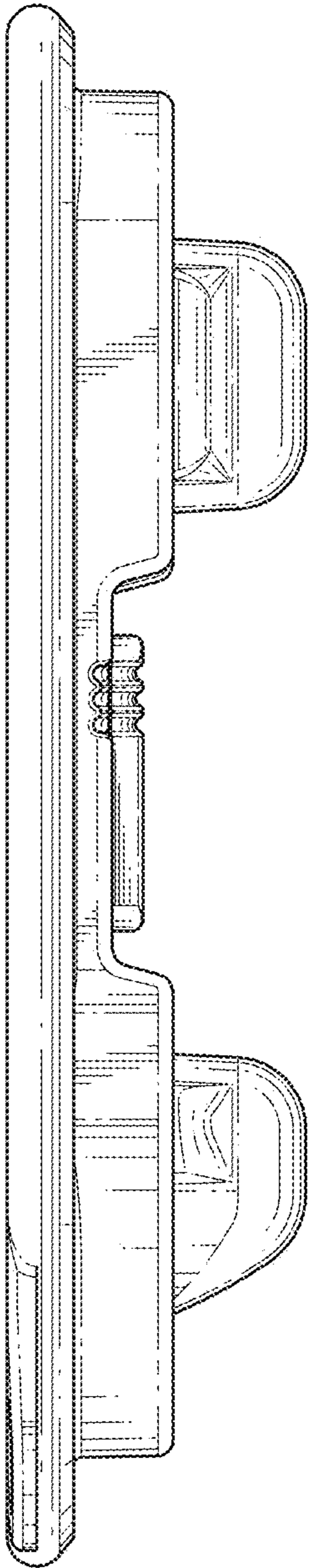


FIG. 5

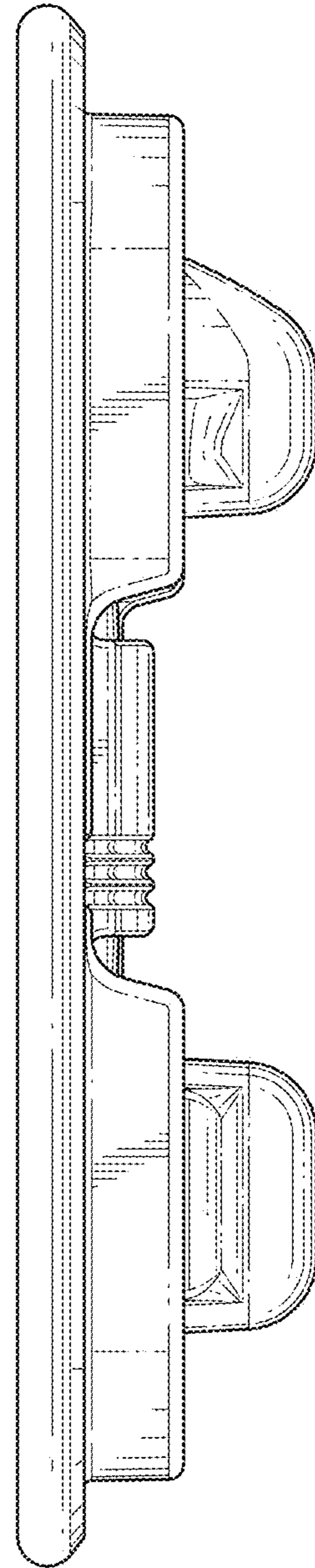


FIG. 6

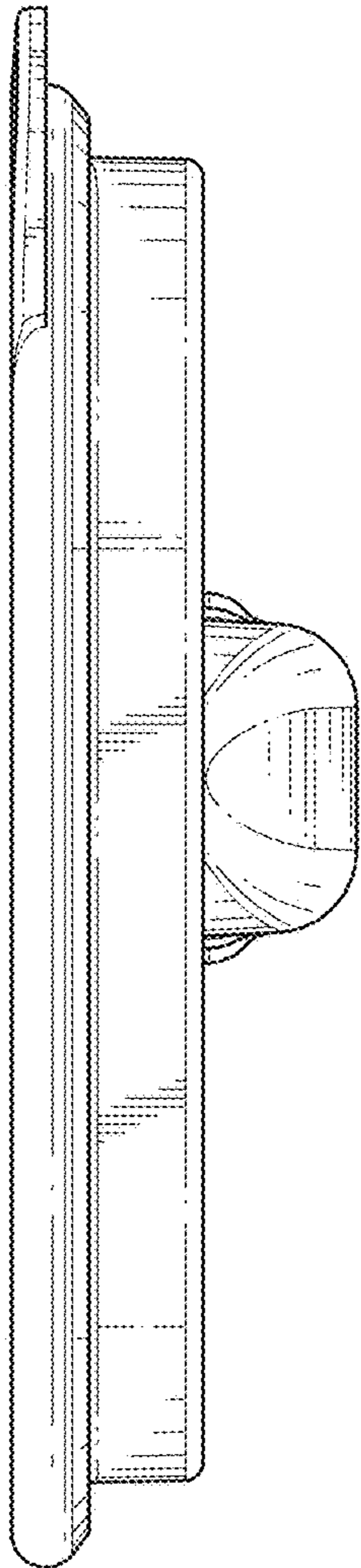


FIG. 7

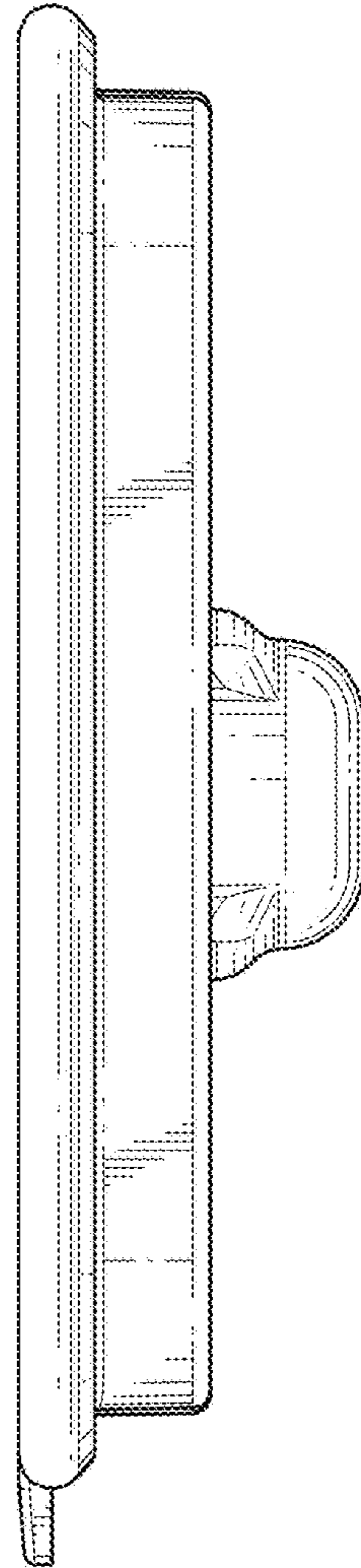


FIG. 8

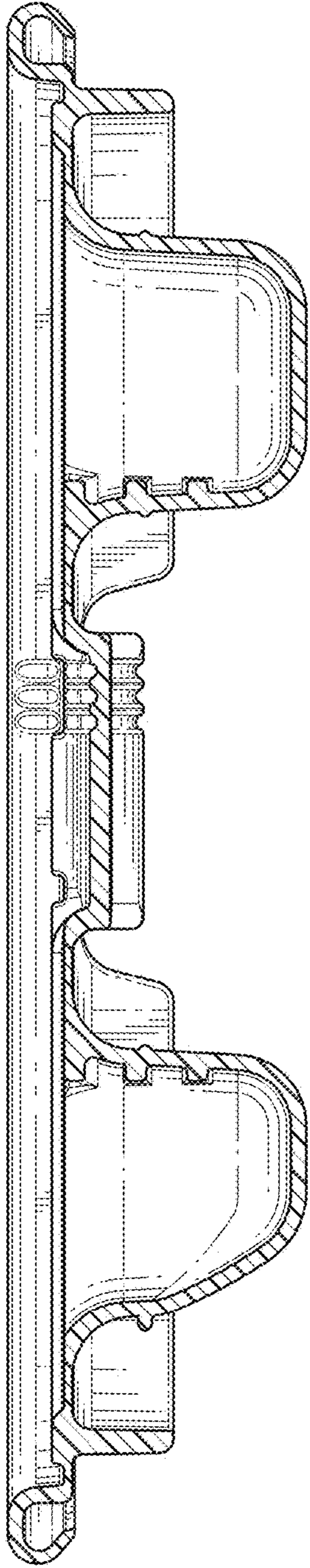


FIG. 9

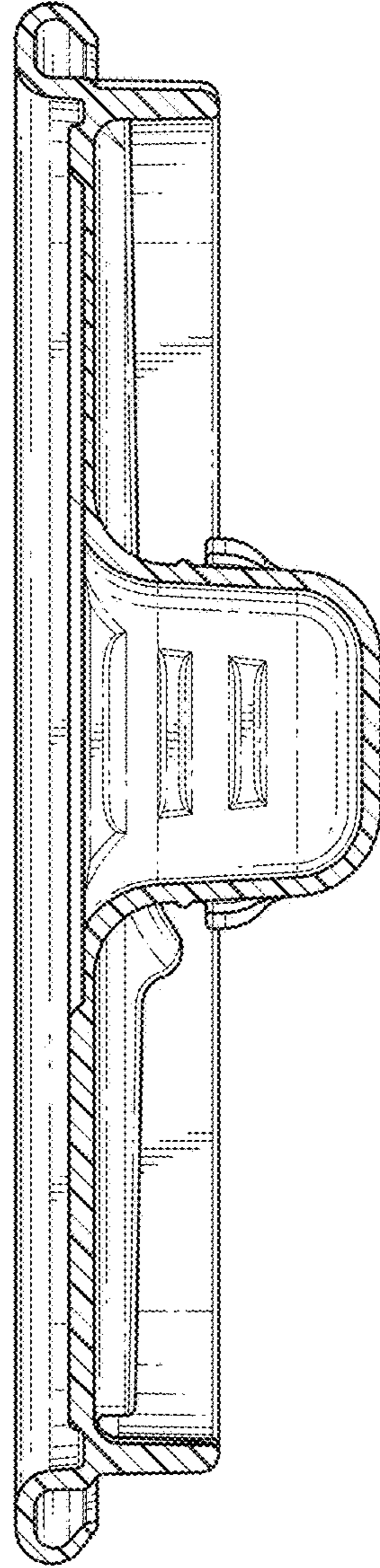


FIG. 10