



US00D838361S

(12) **United States Design Patent**  
**Jenkins et al.**

(10) **Patent No.:** **US D838,361 S**

(45) **Date of Patent:** **\*\* Jan. 15, 2019**

(54) **GUIDE WIRE BOWL**

(71) Applicant: **Global Resources International Inc.**,  
Flowery Branch, GA (US)

(72) Inventors: **Brian E. Jenkins**, Cumming, GA (US);  
**Jiening Liu**, Buford, GA (US); **Peyton Yu**,  
Fallen Oak Lane, GA (US)

(73) Assignee: **Global Resources International Inc.**,  
Flowery Branch, GA (US)

(\*\*) Term: **15 Years**

(21) Appl. No.: **29/611,417**

(22) Filed: **Jul. 21, 2017**

(51) **LOC (11) Cl.** ..... **24-04**

(52) **U.S. Cl.**  
USPC ..... **D24/121**

(58) **Field of Classification Search**  
USPC ..... D24/121, 123, 224; 604/317-325;  
D7/500, 587, 586, 545, 584  
CPC ..... B65D 41/04; B65D 2251/023; B65D  
41/0485; B65D 41/3428  
See application file for complete search history.

(56) **References Cited**

**U.S. PATENT DOCUMENTS**

- D345,894 S \* 4/1994 Krupa ..... D7/554.2
- 5,415,180 A \* 5/1995 Horan ..... A61B 50/10  
128/846
- D385,749 S \* 11/1997 Ebrahim ..... D7/560
- D433,130 S \* 10/2000 Cude ..... D24/121
- D479,097 S \* 9/2003 Willis ..... D7/565
- D479,672 S \* 9/2003 Wichmann ..... D7/565

- D568,989 S \* 5/2008 Kammer ..... D24/123
- D575,992 S \* 9/2008 LeGreve ..... D7/586
- D576,448 S \* 9/2008 Harris ..... D7/505
- D604,989 S \* 12/2009 Chen ..... D7/360
- D672,457 S \* 12/2012 Foley ..... D24/123
- D738,491 S \* 9/2015 Foley ..... D24/121
- D746,979 S \* 1/2016 Dominguez ..... D24/121

\* cited by examiner

*Primary Examiner* — David G Muller

(74) *Attorney, Agent, or Firm* — Withers & Keys, LLC

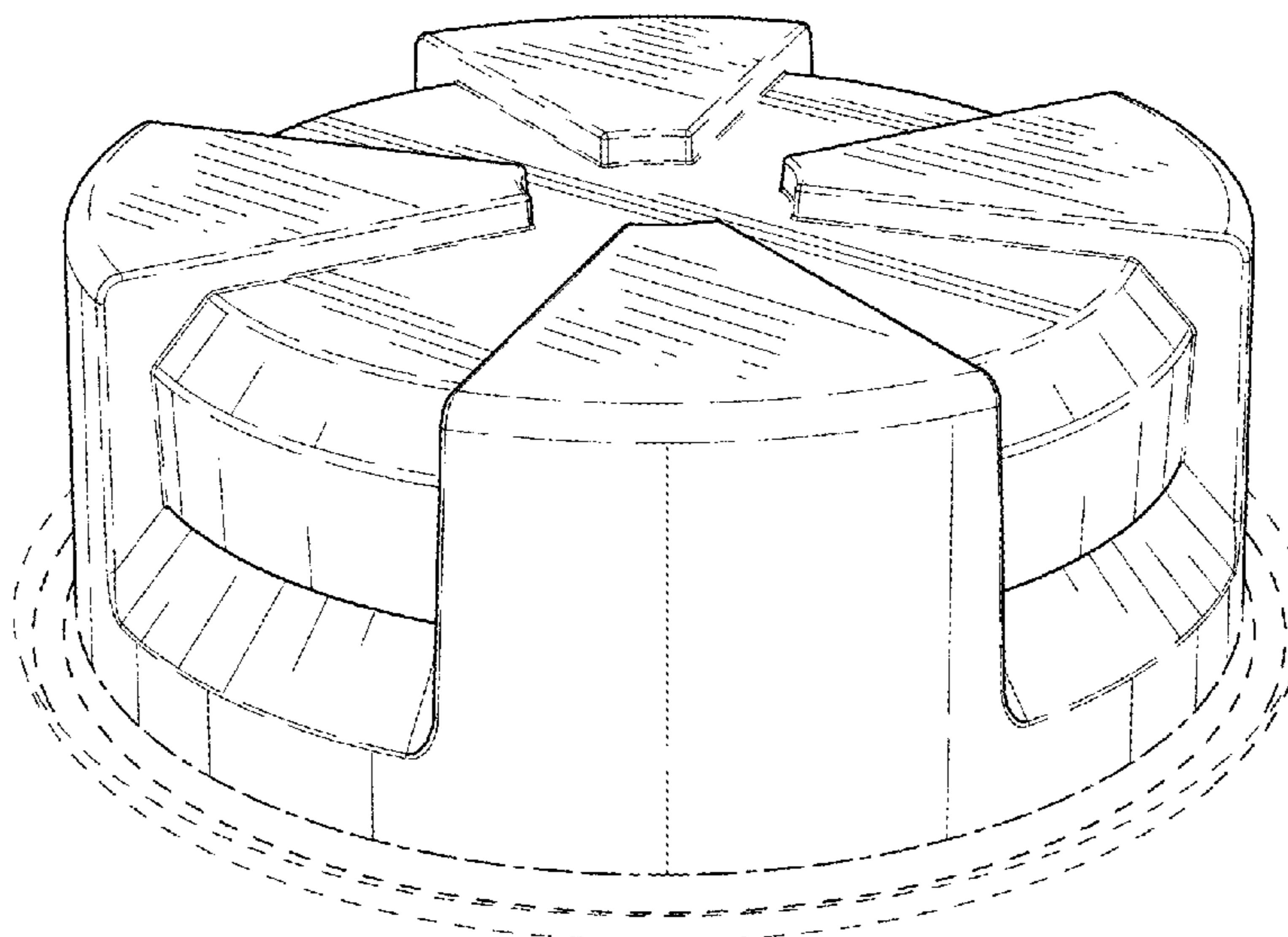
(57) **CLAIM**

The ornamental design for a guide wire bowl, as shown and described.

**DESCRIPTION**

FIG. 1 is a perspective view of a guide wire bowl showing our new design;  
 FIG. 2 is a front elevation view thereof;  
 FIG. 3 is a rear elevation view thereof;  
 FIG. 4 is a side elevation view as viewed from the right-hand side of the guide wire bowl shown in FIG. 1;  
 FIG. 5 is a side elevation view as viewed from the left-hand side of the guide wire bowl shown in FIG. 1;  
 FIG. 6 is a bottom plan view thereof;  
 FIG. 7 is a top plan view thereof;  
 FIG. 8 is another perspective view thereof;  
 FIG. 9 is a cross-sectional view of the guide wire bowl shown in FIG. 8 as viewed along line 9-9; and,  
 FIG. 10 is a perspective view of the inner surfaces of the guide wire bowl shown in FIG. 1.  
 The dashed broken lines shown in the drawings illustrate portions of the guide wire bowl that forms no part of the claimed design.

**1 Claim, 10 Drawing Sheets**



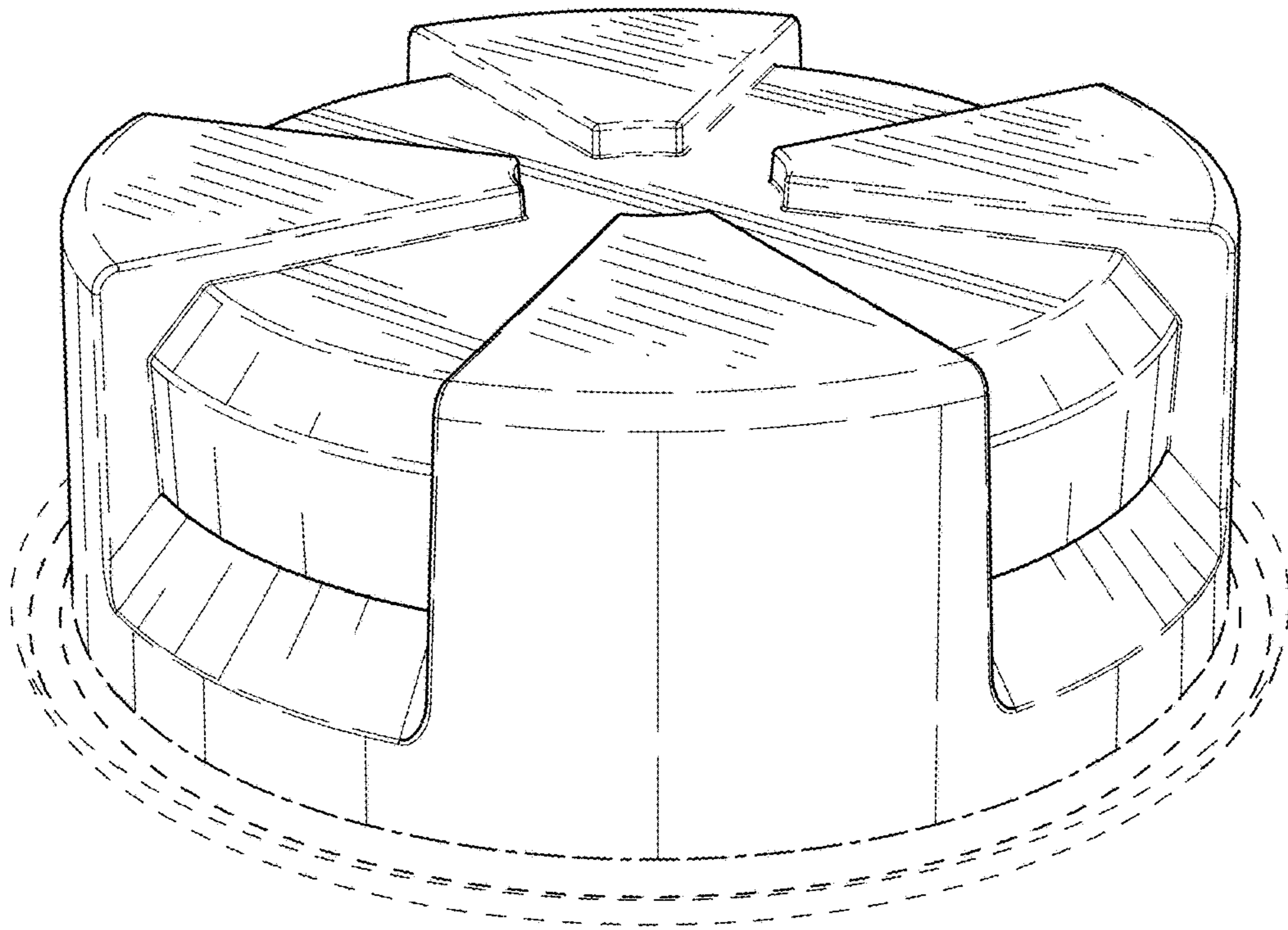


FIG. 1

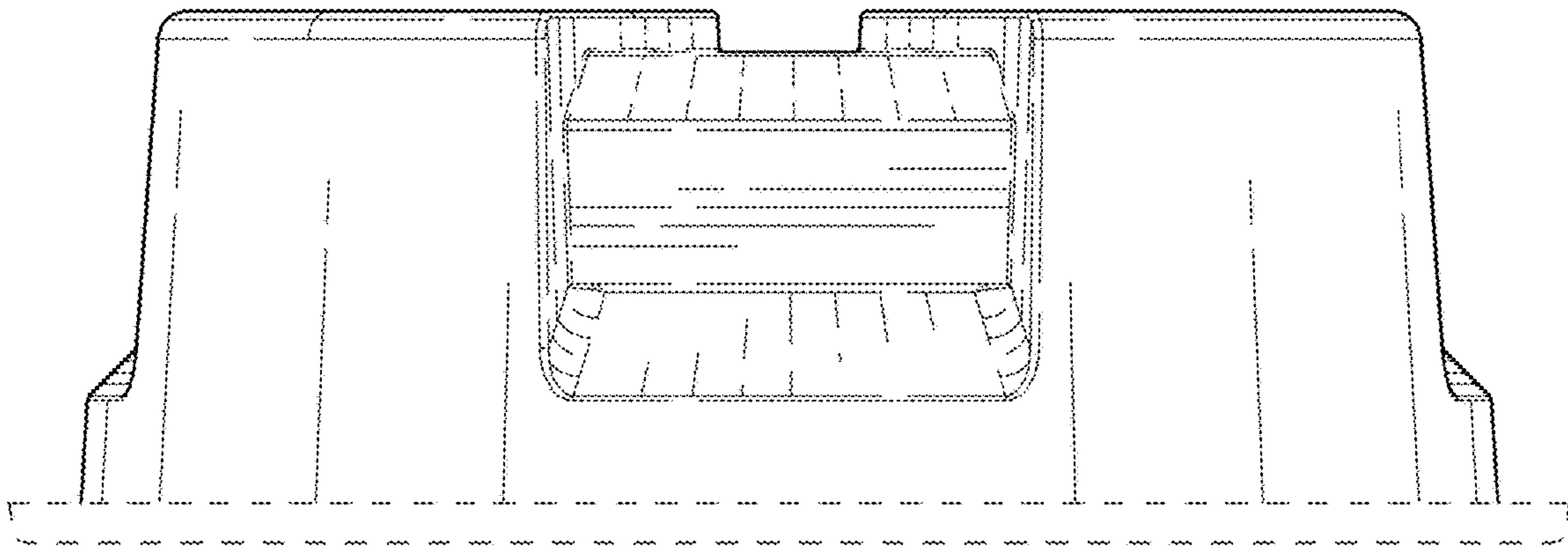


FIG. 2

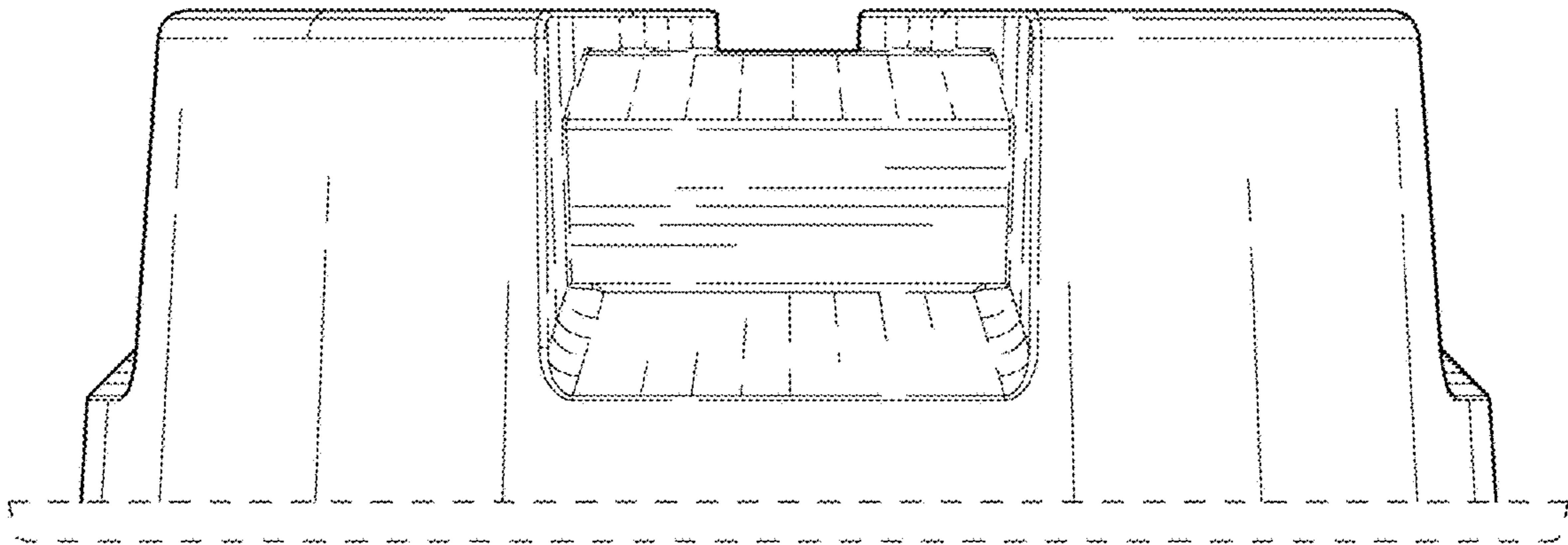


FIG. 3

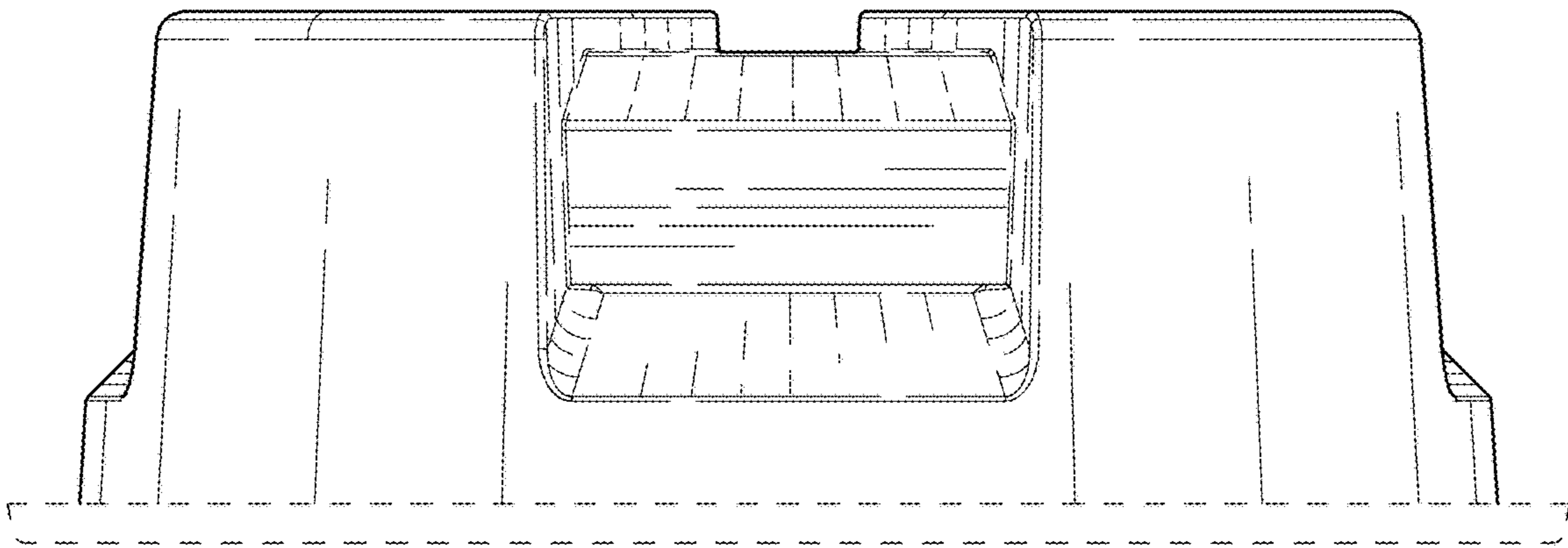


FIG. 4



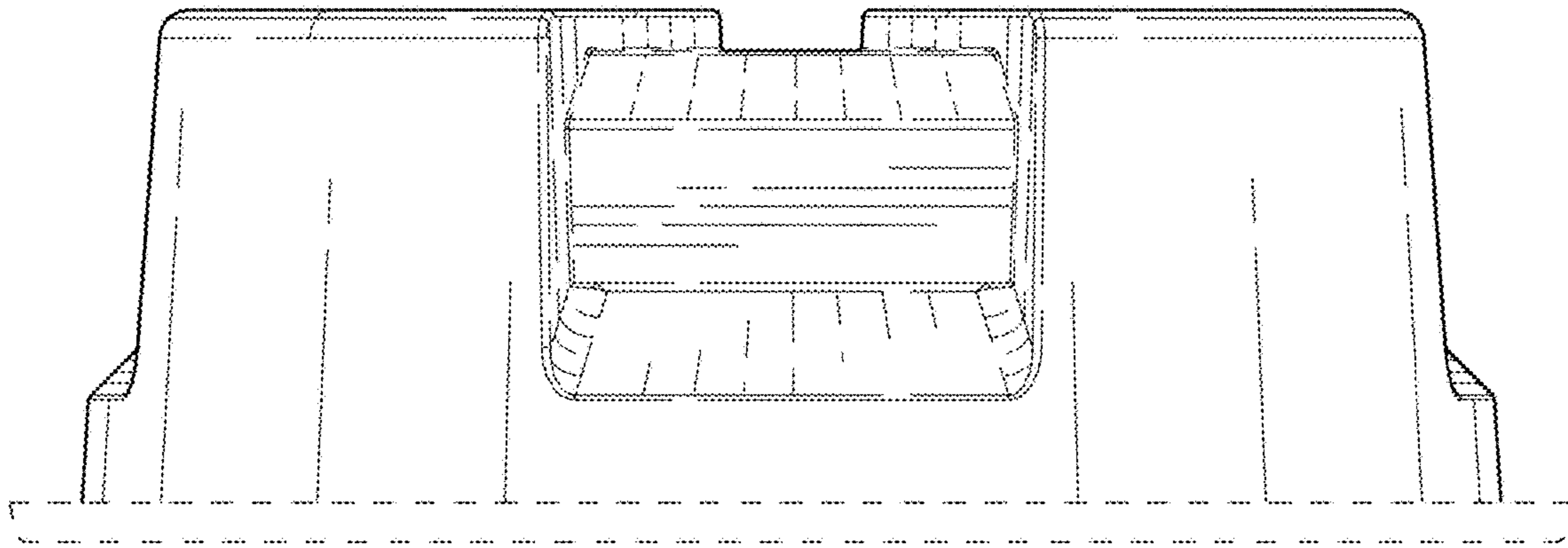


FIG. 5

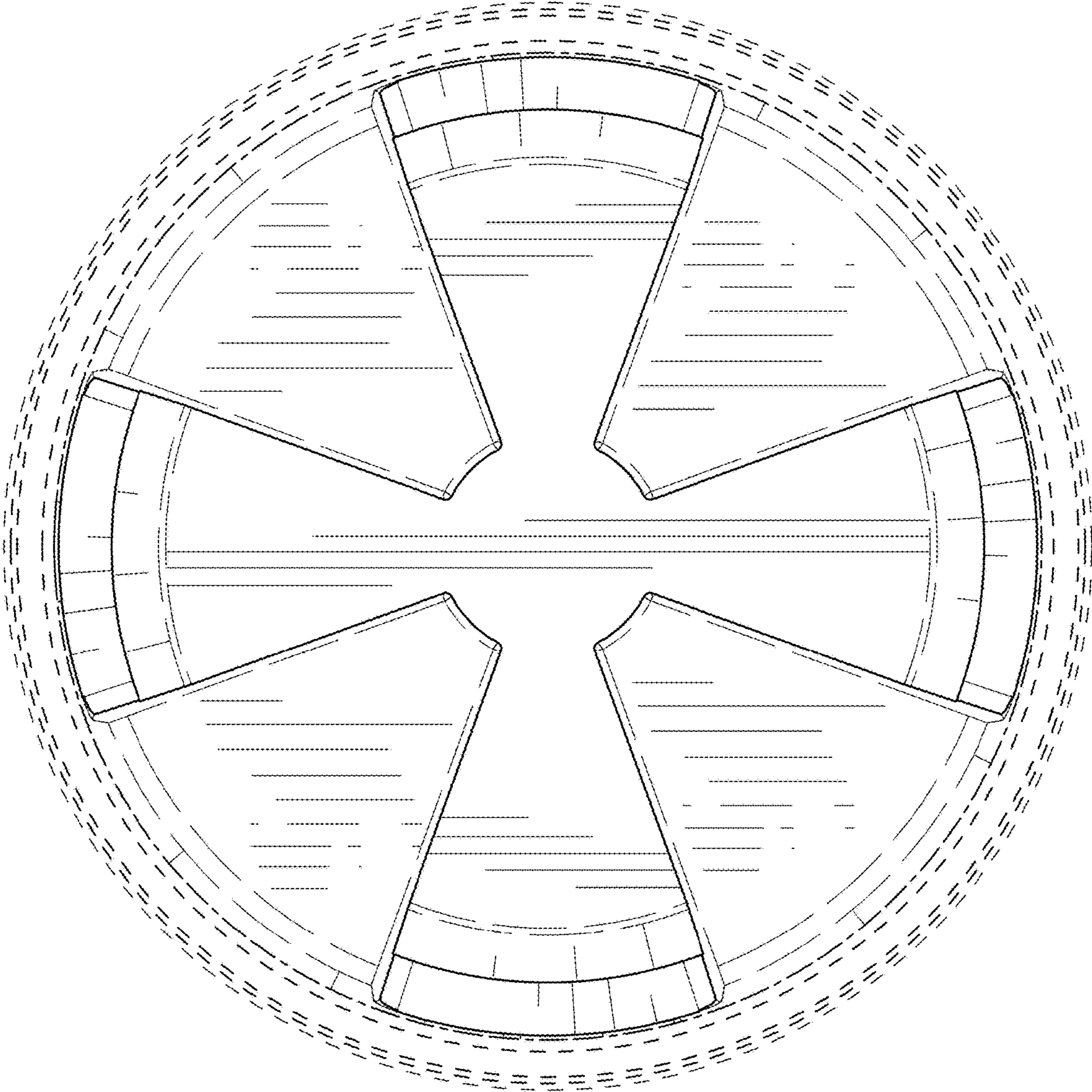


FIG. 6

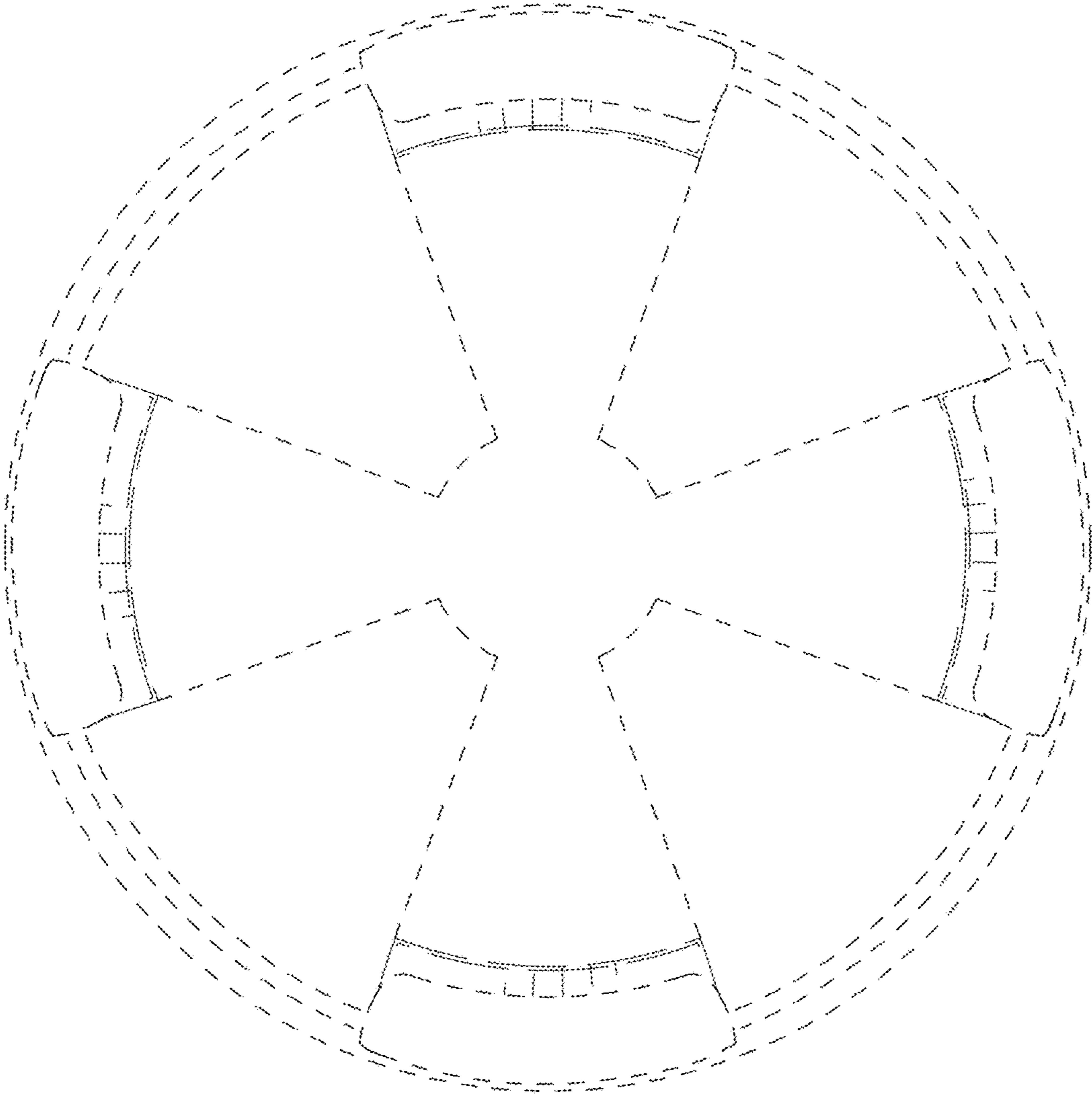


FIG. 7



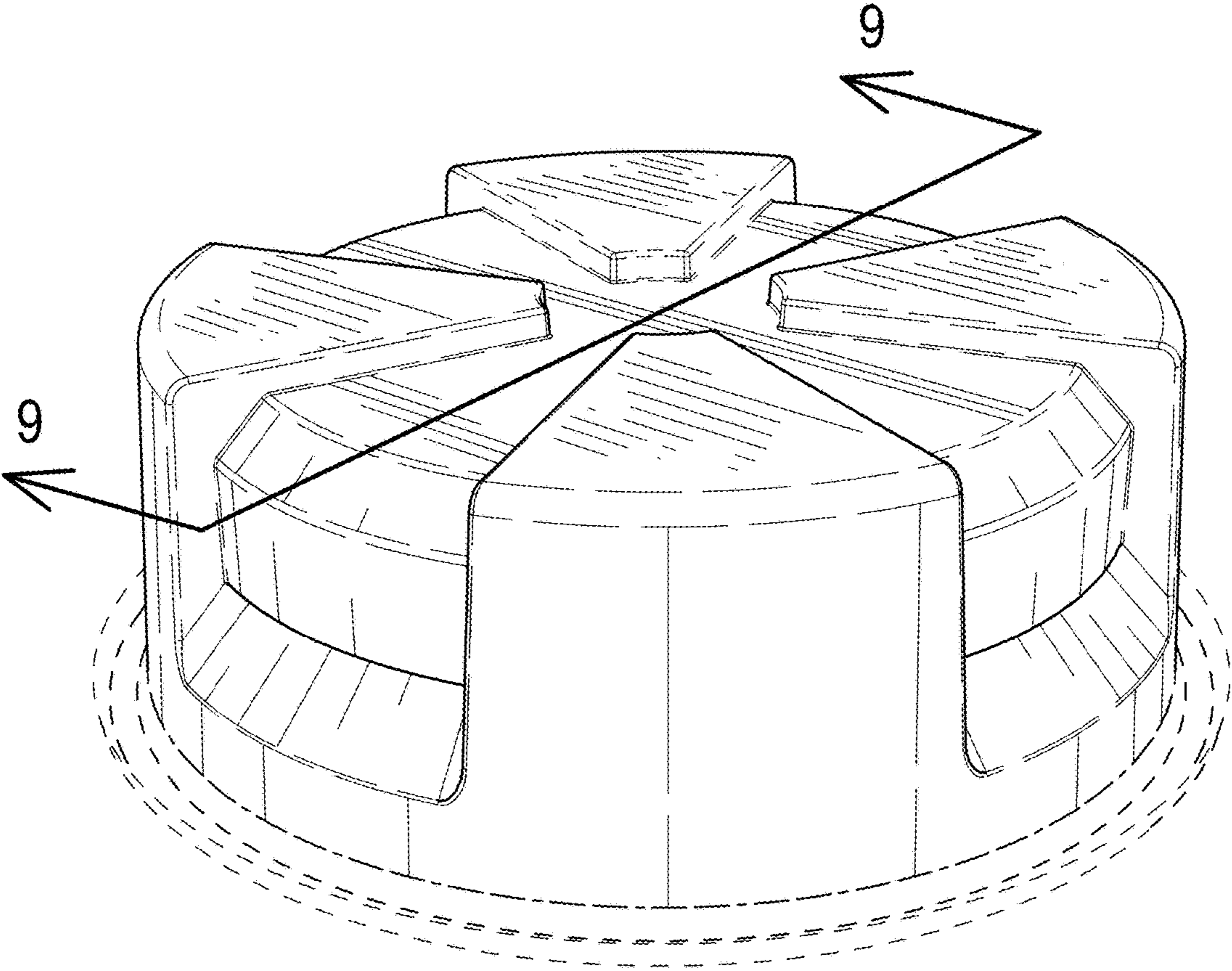


FIG. 8

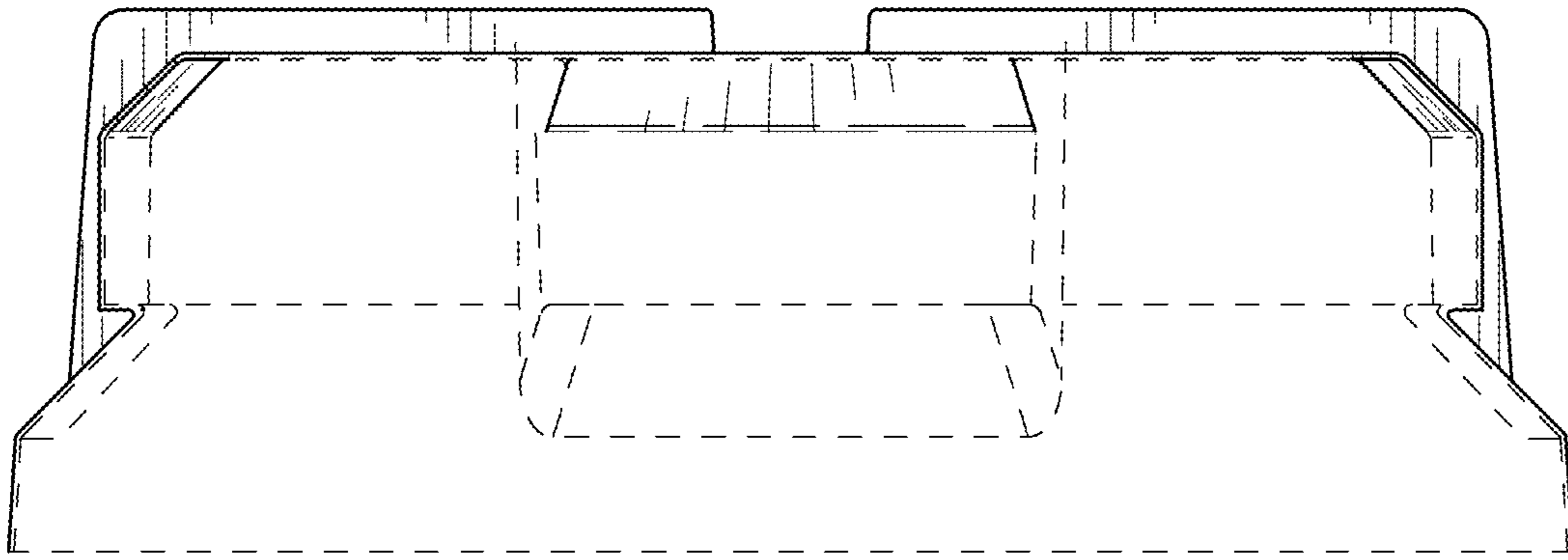


FIG. 9

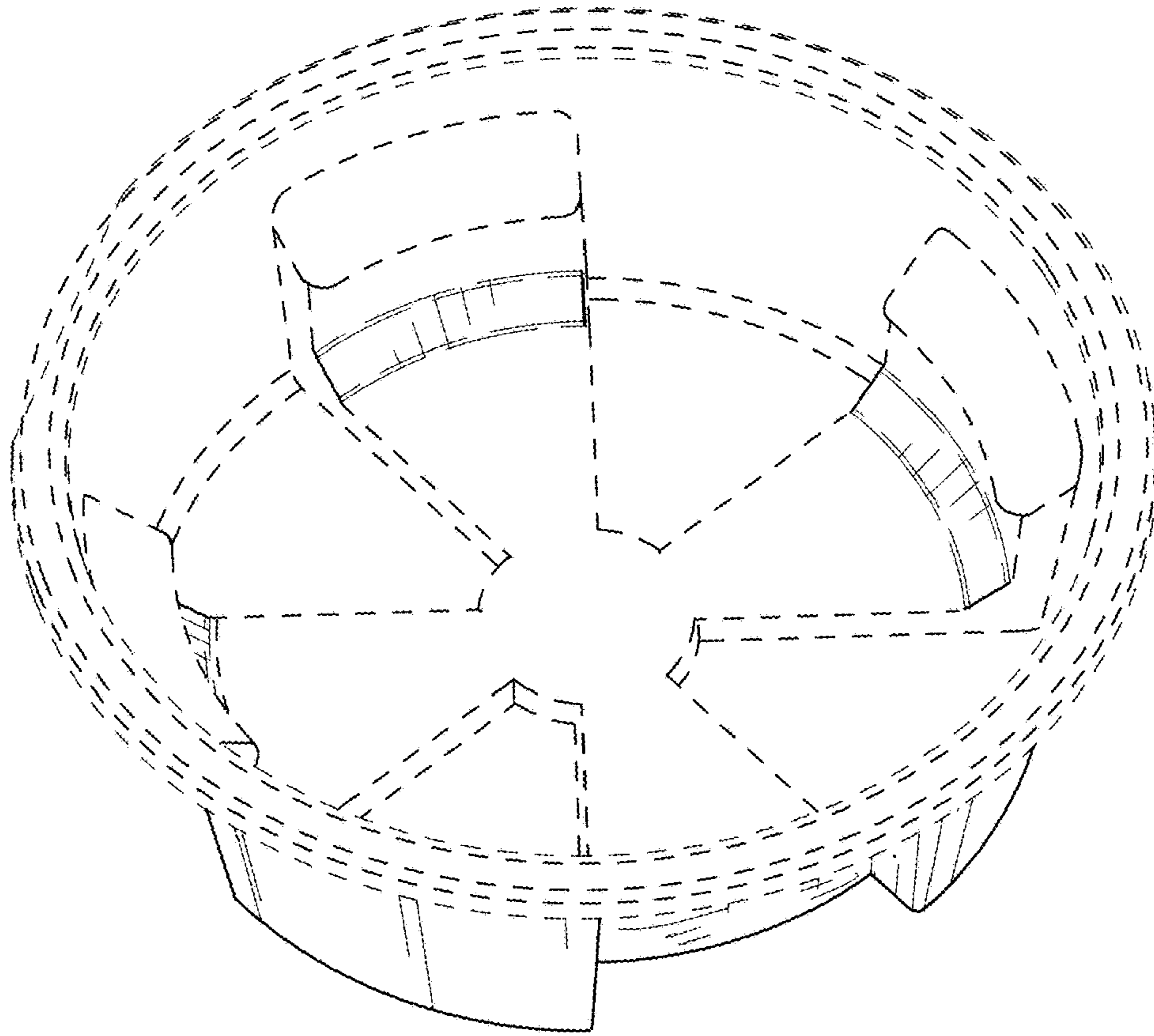


FIG. 10