



US00D838359S

(12) **United States Design Patent**
Boyaval et al.

(10) **Patent No.:** **US D838,359 S**

(45) **Date of Patent:** **** Jan. 15, 2019**

(54) **ON-BODY INJECTOR**

(71) Applicant: **AMGEN INC.**, Thousand Oaks, CA (US)

(72) Inventors: **Margaux Frances Boyaval**, Newbury Park, CA (US); **Sigrd Moeslinger**, New York, NY (US); **Lisa Nugent**, Malibu, CA (US); **Brian Stonecipher**, Newbury Park, CA (US); **Masamichi Udagawa**, New York, NY (US)

(73) Assignee: **AMGEN INC.**, Thousand Oaks, CA (US)

(**) Term: **15 Years**

(21) Appl. No.: **29/578,427**

(22) Filed: **Sep. 21, 2016**

(51) **LOC (11) Cl.** **24-02**

(52) **U.S. Cl.**
USPC **D24/112**

(58) **Field of Classification Search**
USPC D24/112-114, 108, 133, 130, 127, 186;
606/181, 185; 604/264, 272, 187, 181,
604/184, 227
CPC A61M 5/178; A61M 3/00; A61M 5/20;
A61M 5/31; A61M 5/3146; A61M
5/3129; A61M 5/3148; A61M 5/315
See application file for complete search history.

(56) **References Cited**

U.S. PATENT DOCUMENTS

D622,393 S *	8/2010	Gatrall	D24/169
D650,070 S *	12/2011	Mori	D24/113
8,105,279 B2 *	1/2012	Mernoe	A61M 5/14244 417/46
D684,686 S *	6/2013	Cronenberg	D24/108
D685,083 S *	6/2013	Schneider	D24/108
D685,084 S *	6/2013	Guarraia	D24/108

D687,140 S *	7/2013	Guarraia	D24/108
D687,141 S *	7/2013	Schneider	D24/108
D687,536 S *	8/2013	Guarraia	D24/108
D688,784 S *	8/2013	Schneider	D24/108
D693,455 S *	11/2013	Alchas	A61M 15/00 D24/108
D695,394 S *	12/2013	Takemoto	D24/113
D776,253 S *	1/2017	Li	D24/108

* cited by examiner

Primary Examiner — David G Muller

(74) *Attorney, Agent, or Firm* — Marshall, Gerstein & Borun LLP

(57) **CLAIM**

The ornamental design for an on-body injector, as shown and described.

DESCRIPTION

FIG. 1 is a perspective view showing a new design for an on-body injector having a light source shown in a powered off state;

FIG. 2 is a front view of the on-body injector of FIG. 1;

FIG. 3 is a rear view of the on-body injector of FIG. 1;

FIG. 4 is a right-side view of the on-body injector of FIG. 1;

FIG. 5 is a left-side view of the on-body injector of FIG. 1;

FIG. 6 is a top view of the on-body injector of FIG. 1;

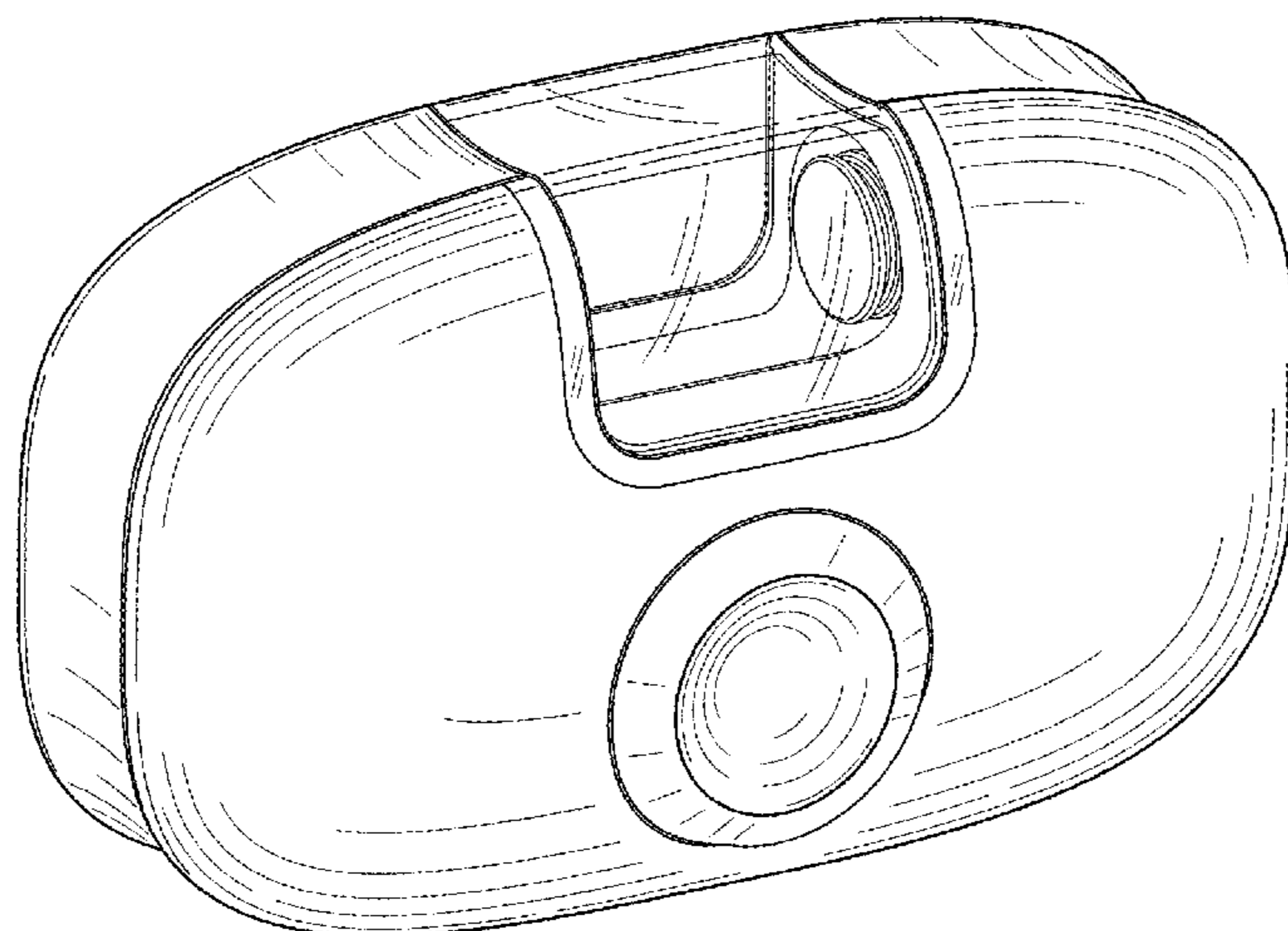
FIG. 7 is a bottom view of the on-body injector of FIG. 1; and,

FIG. 8 is a perspective view of the on-body injector of FIGS. 1-7 showing the light source in a powered on state.

The stippling shown is included for the purpose of illustrating portions of the claimed design having a visual appearance (e.g., color, texture, glow, etc.) different from the immediately adjacent portions of the claimed design.

The radiating lines are included for the purpose of illustrating a feature of the claimed design in an illuminated state, and form no part of the claimed design.

1 Claim, 5 Drawing Sheets



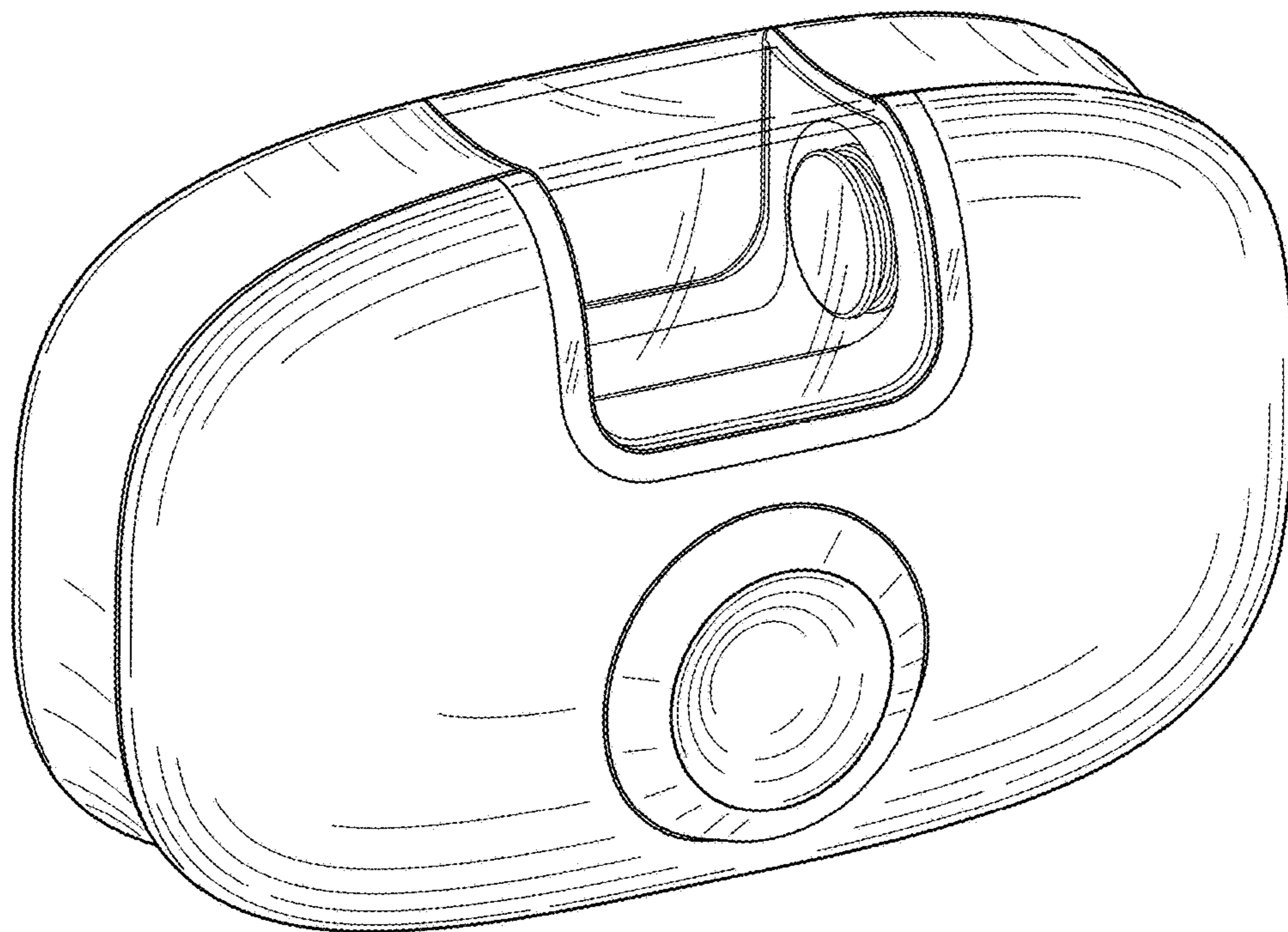


FIG. 1

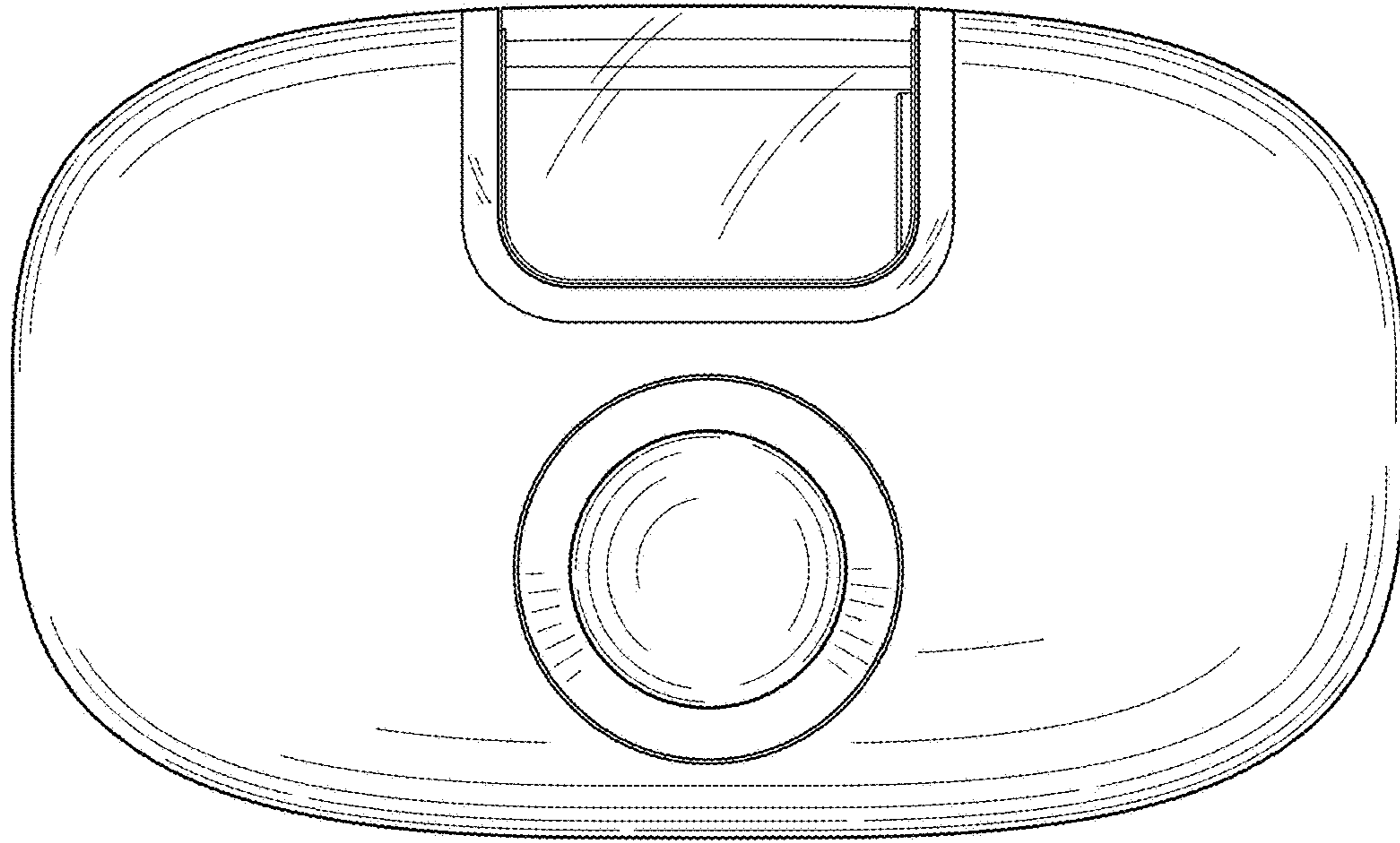


FIG. 2

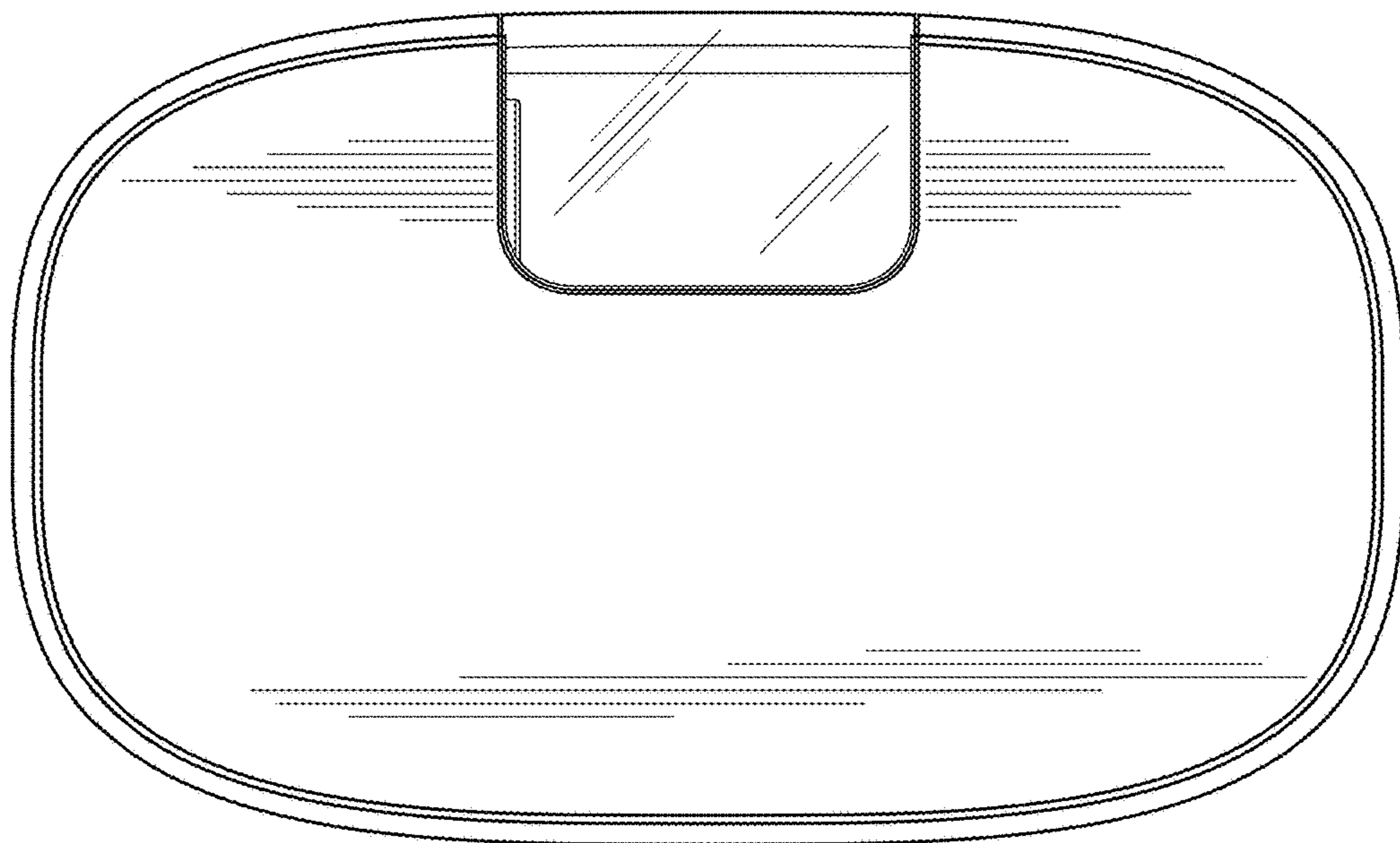


FIG. 3

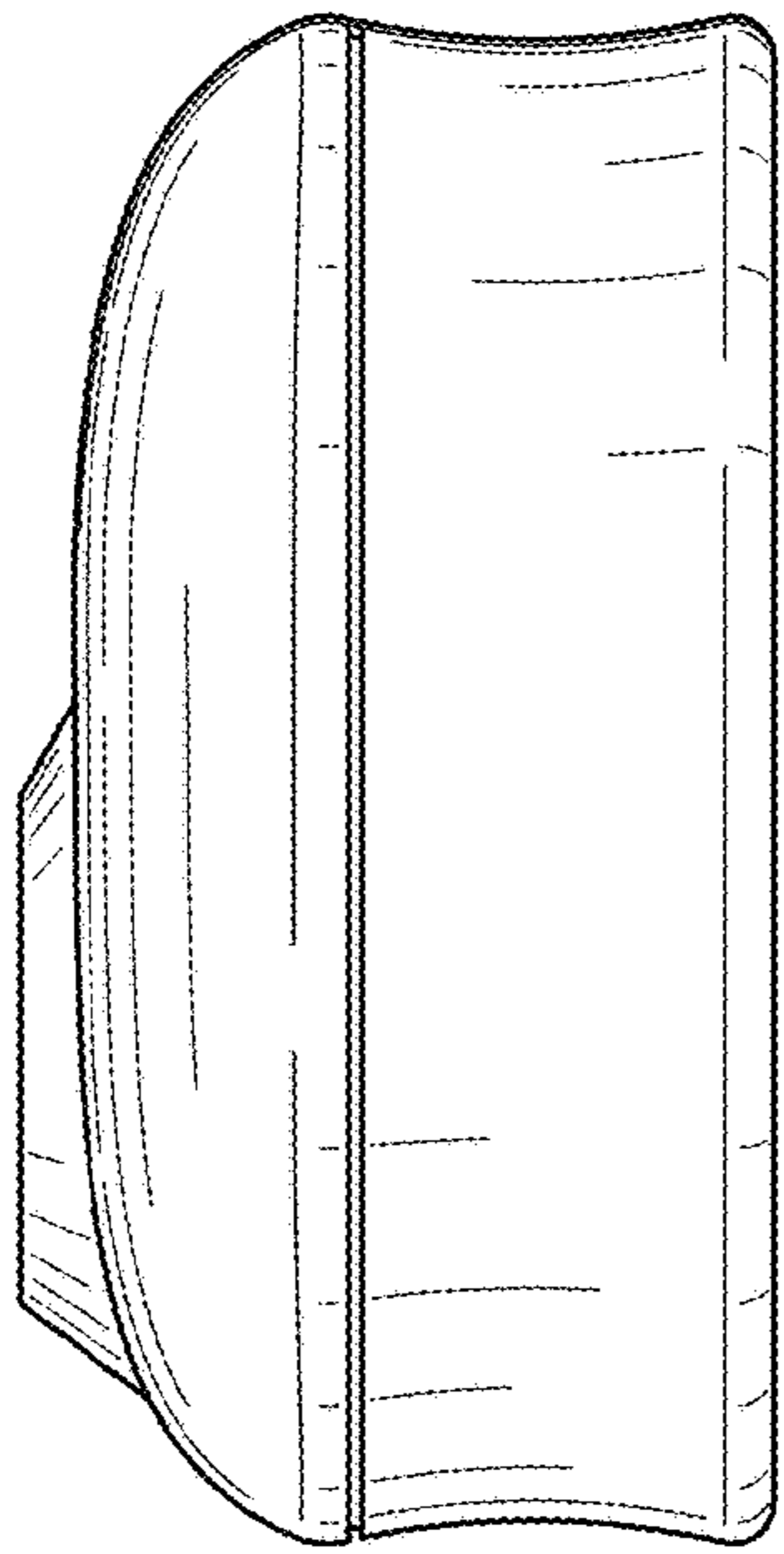


FIG. 4

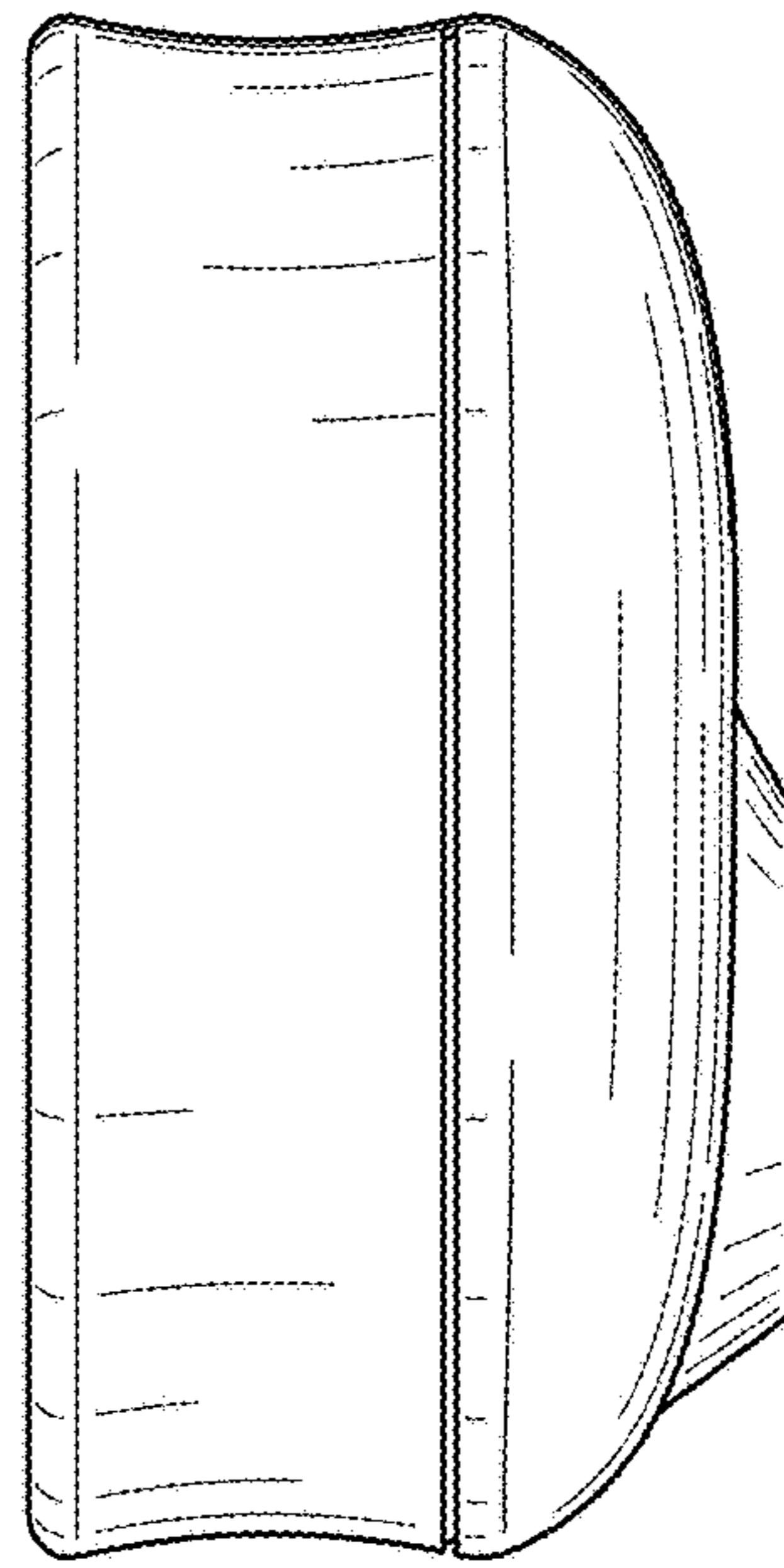


FIG. 5

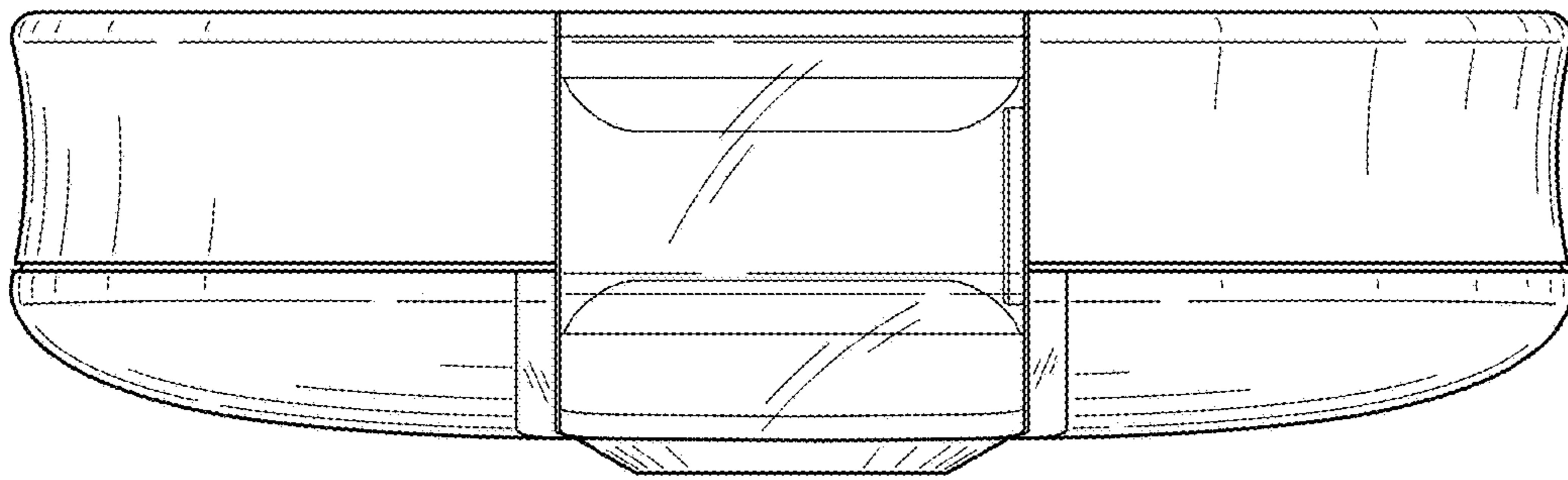


FIG. 6

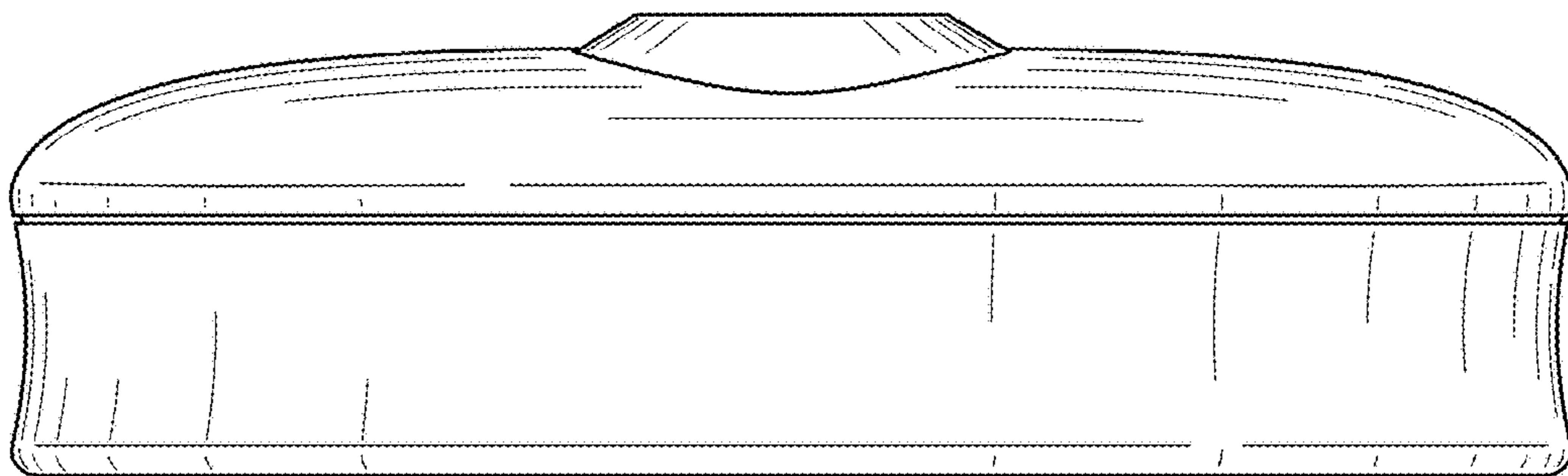


FIG. 7

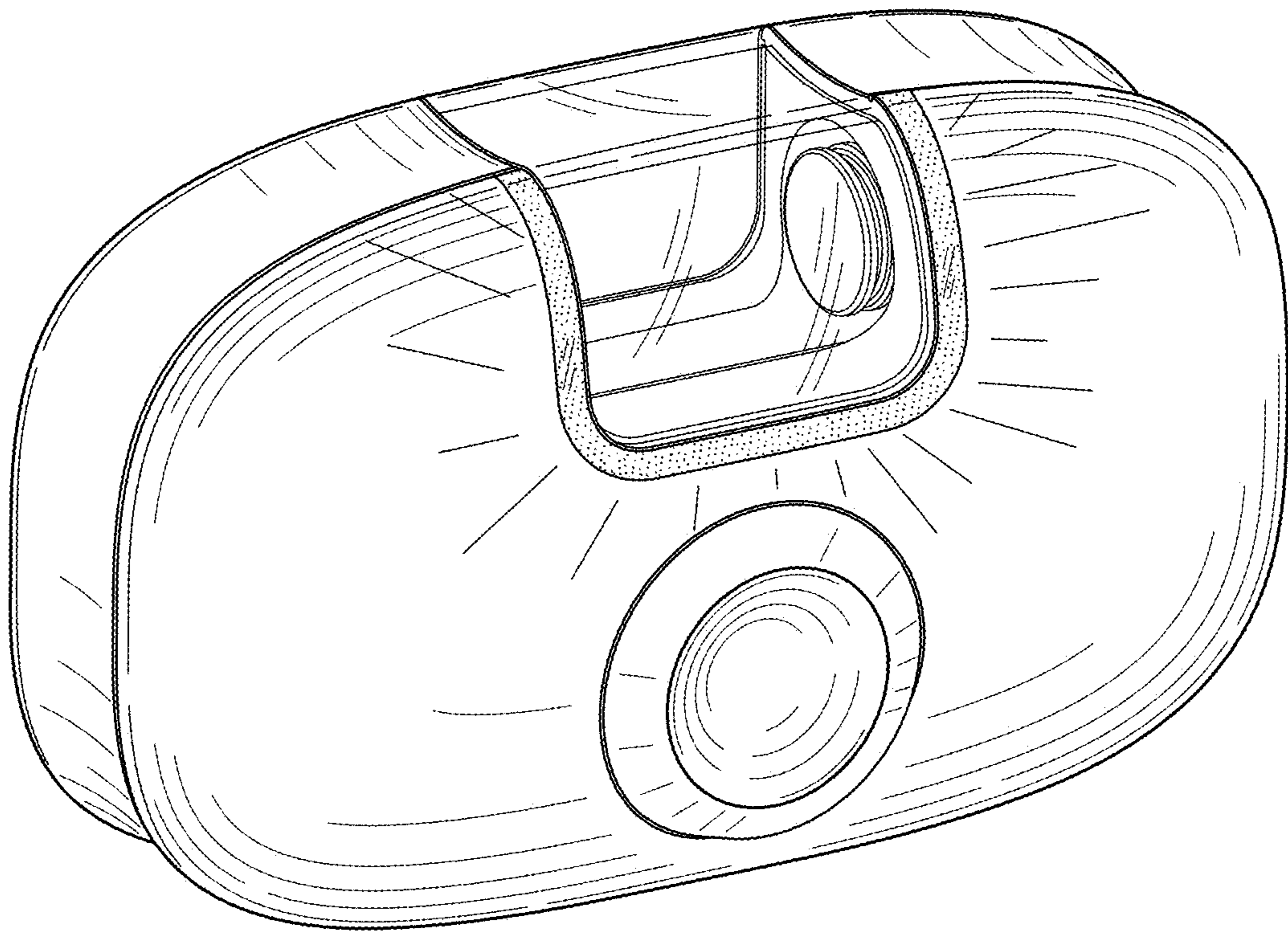


FIG. 8