



US00D838358S

(12) **United States Design Patent** (10) **Patent No.:** **US D838,358 S**
Xu (45) **Date of Patent:** **** Jan. 15, 2019**

(54) **MASK WITH SNORKEL**

(71) Applicant: **Shunhong Xu**, Guangdong (CN)

(72) Inventor: **Shunhong Xu**, Guangdong (CN)

(**) Term: **15 Years**

(21) Appl. No.: **29/600,355**

(22) Filed: **Apr. 12, 2017**

(51) **LOC (11) Cl.** **29-02**

(52) **U.S. Cl.**
USPC **D24/110.2; D24/110.4**

(58) **Field of Classification Search**
USPC D24/110-110.6, 127, 129; D29/110
CPC A61M 16/0616; A61M 16/0633; A61M
16/06; A61M 16/0666; A61M 16/0683;
A61M 16/0605; A61M 16/0622; A61M
16/0644; A61M 16/0875; A61M 16/0816;
A61M 16/08; B63C 11/205; B63C 11/16;
B63C 11/186; B63C 11/12

See application file for complete search history.

(56) **References Cited**

U.S. PATENT DOCUMENTS

D503,498 S *	3/2005	Canavan	D29/110
D552,233 S *	10/2007	Trujillo	D24/110.2
D582,547 S *	12/2008	Ungar	D24/110.1
D593,197 S *	5/2009	Todd	D24/110.2
D602,154 S *	10/2009	Ono	D24/110.2
D668,327 S *	10/2012	Sumner	D24/110.2
D668,758 S *	10/2012	Hall	D24/110.2
D704,327 S *	5/2014	Lavoie	D24/110.2
D704,328 S *	5/2014	Lavoie	D24/110.2
D775,722 S *	1/2017	Caprice	D24/110.2
D802,220 S *	11/2017	Farias	D29/110
2001/0013346 A1 *	8/2001	Lemke	B63C 11/16 128/201.11
2016/0127716 A1 *	5/2016	Ramiro	H04N 13/044 348/53
2016/0297505 A1 *	10/2016	Caprice	B63C 11/16
2017/0096204 A1 *	4/2017	Cucchia	B63C 11/12
2017/0334531 A1 *	11/2017	Shiue	A62B 9/02

OTHER PUBLICATIONS

Top 8 Best Full Face Snorkel Masks 2017, posted at vbestseller.com, earliest date reviewed on May 20, 2017, [online], acquired on Apr. 10, 2018. Available from Internet, <URL: https://vbestseller.com/best-full-face-snorkel-mask-reviews/> (Year: 2017).*

Vaincre 180° Full Face Snorkel Mask, posted at amazon.com, earliest date reviewed on Apr. 25, 2016, [online], acquired on Apr. 10, 2018. Available from Internet, <URL: https://www.amazon.com/Vaincre-Snorkeling-Adjustable-Straps-See-Traditional/dp/B074MQLR9Q/ref=cm_cr_arp_d_product_top?ie=UTF8> (Year: 2016).*

* cited by examiner

Primary Examiner — Eric L Goodman

Assistant Examiner — Aula Soroush

(74) *Attorney, Agent, or Firm* — ScienBiziP, P.C.

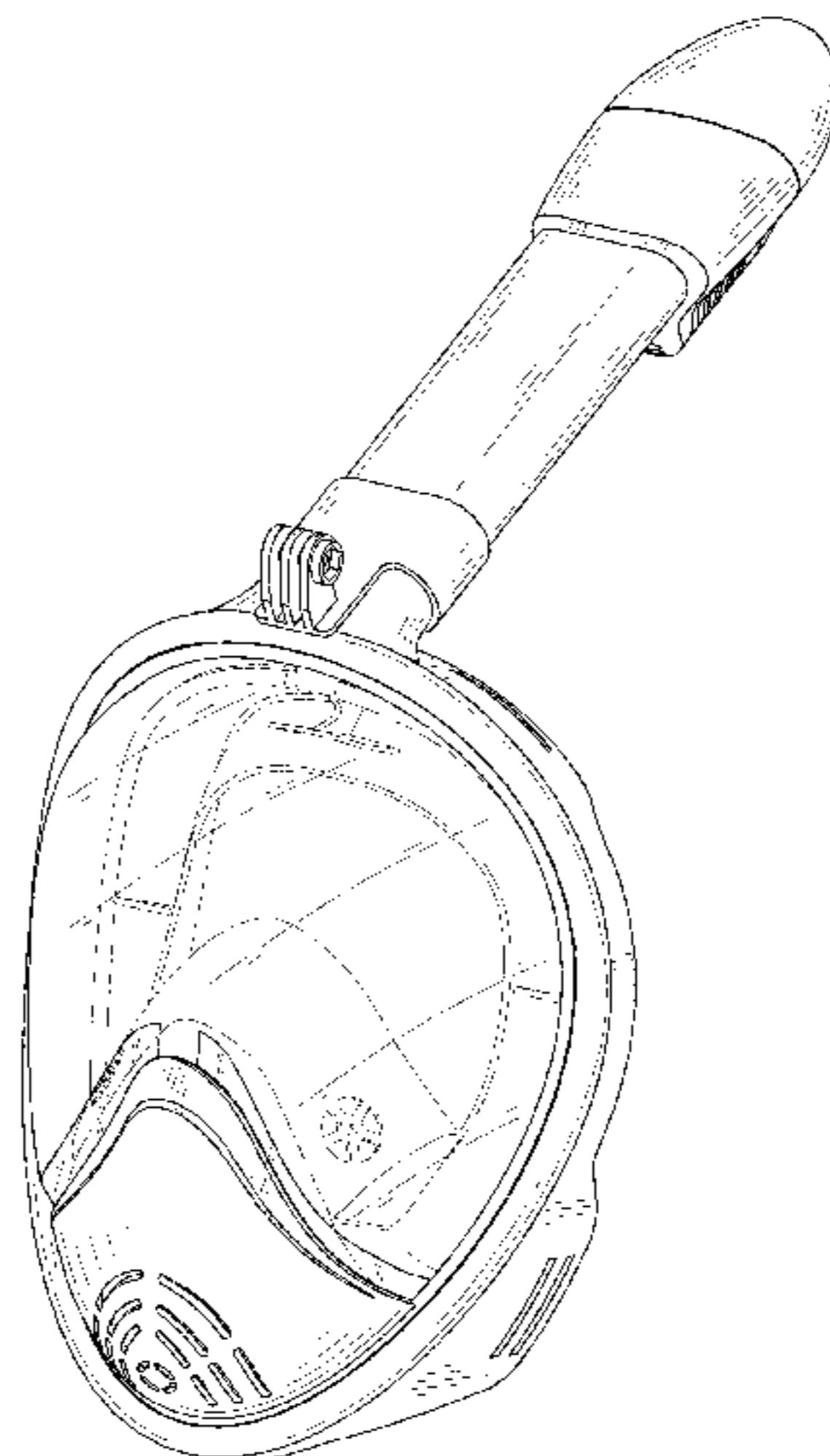
(57) **CLAIM**

The ornamental design for a mask with snorkel, as shown and described.

DESCRIPTION

FIG. 1 is a front perspective view of a mask with a snorkel showing my new design;
FIG. 2 is a second rear perspective view thereof;
FIG. 3 is a front elevational view thereof;
FIG. 4 is a rear elevational view thereof;
FIG. 5 is a left side view thereof;
FIG. 6 is a right side view thereof;
FIG. 7 is a top plan view thereof;
FIG. 8 is a bottom plan view thereof; and,
FIG. 9 is a rear perspective view of the mask with snorkel attached to belts, in an environment of use.
The broken lines in FIG. 9 depicting belts form no part of the claimed design. The oblique shade lines in the drawings indicate transparency.

1 Claim, 9 Drawing Sheets



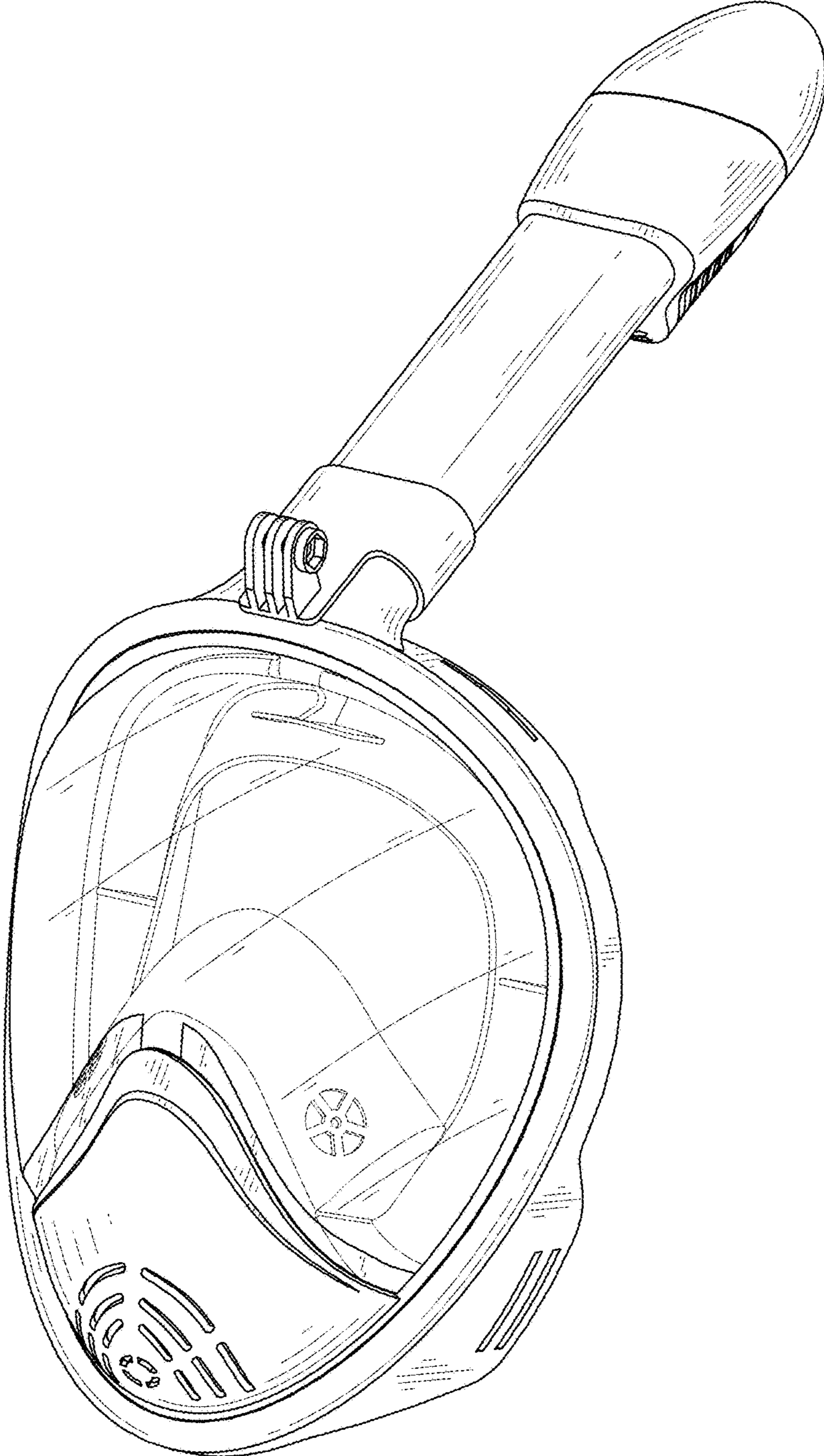


FIG. 1

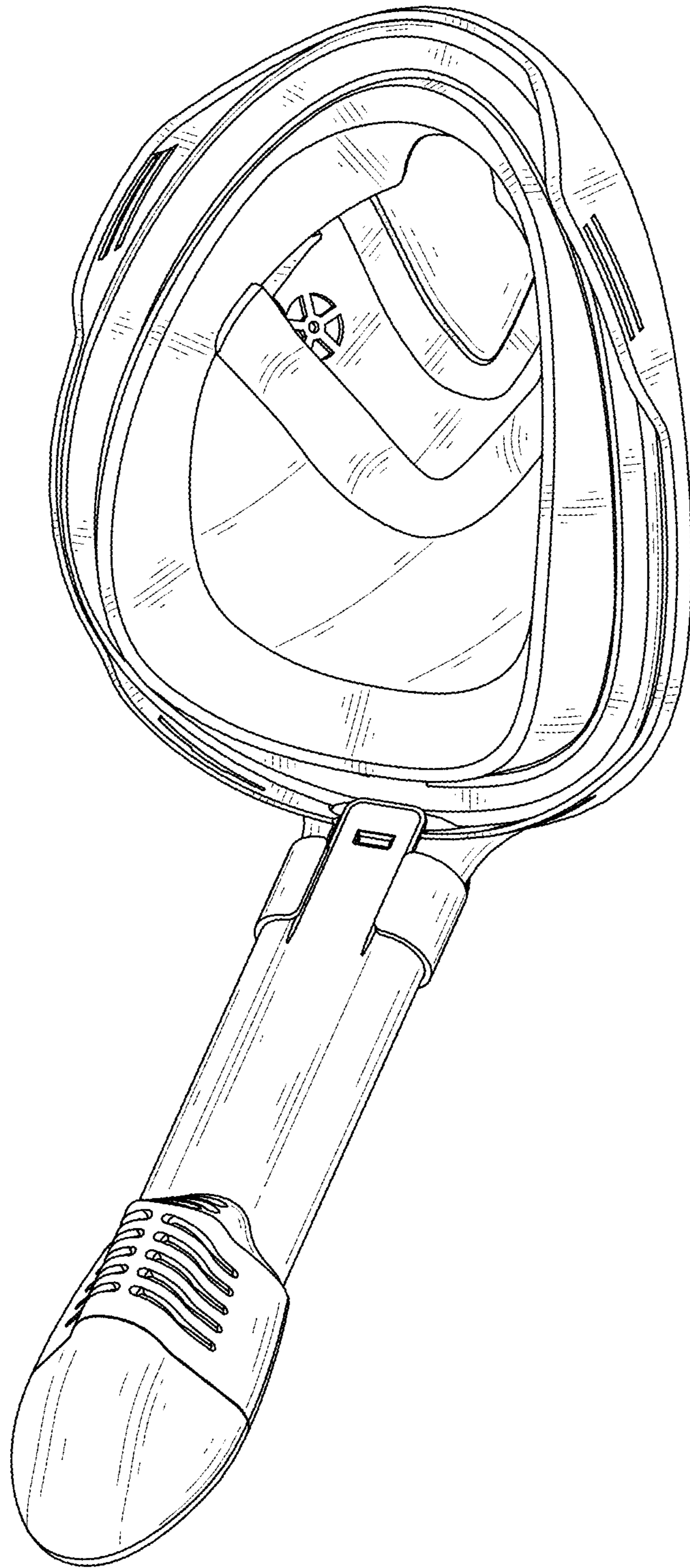


FIG. 2

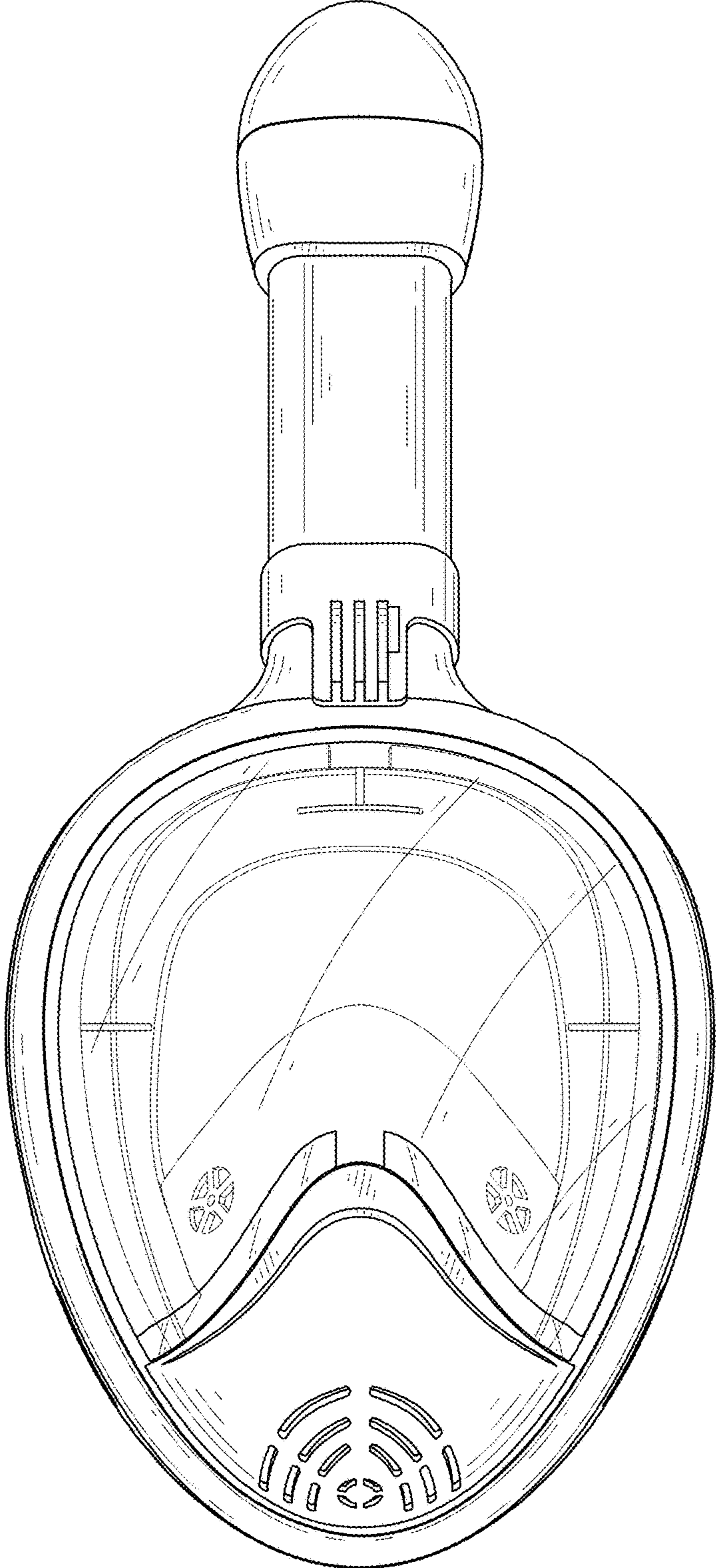


FIG. 3

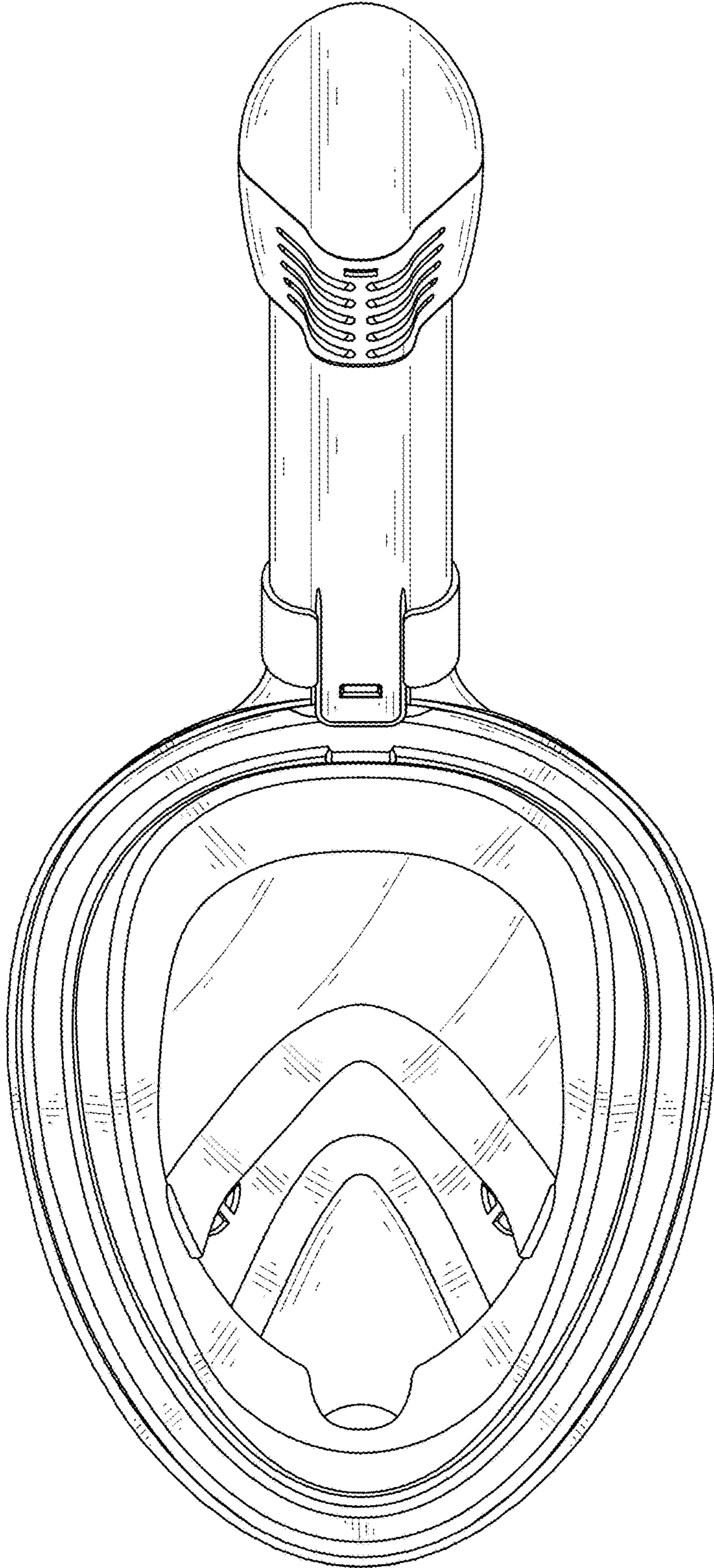


FIG. 4

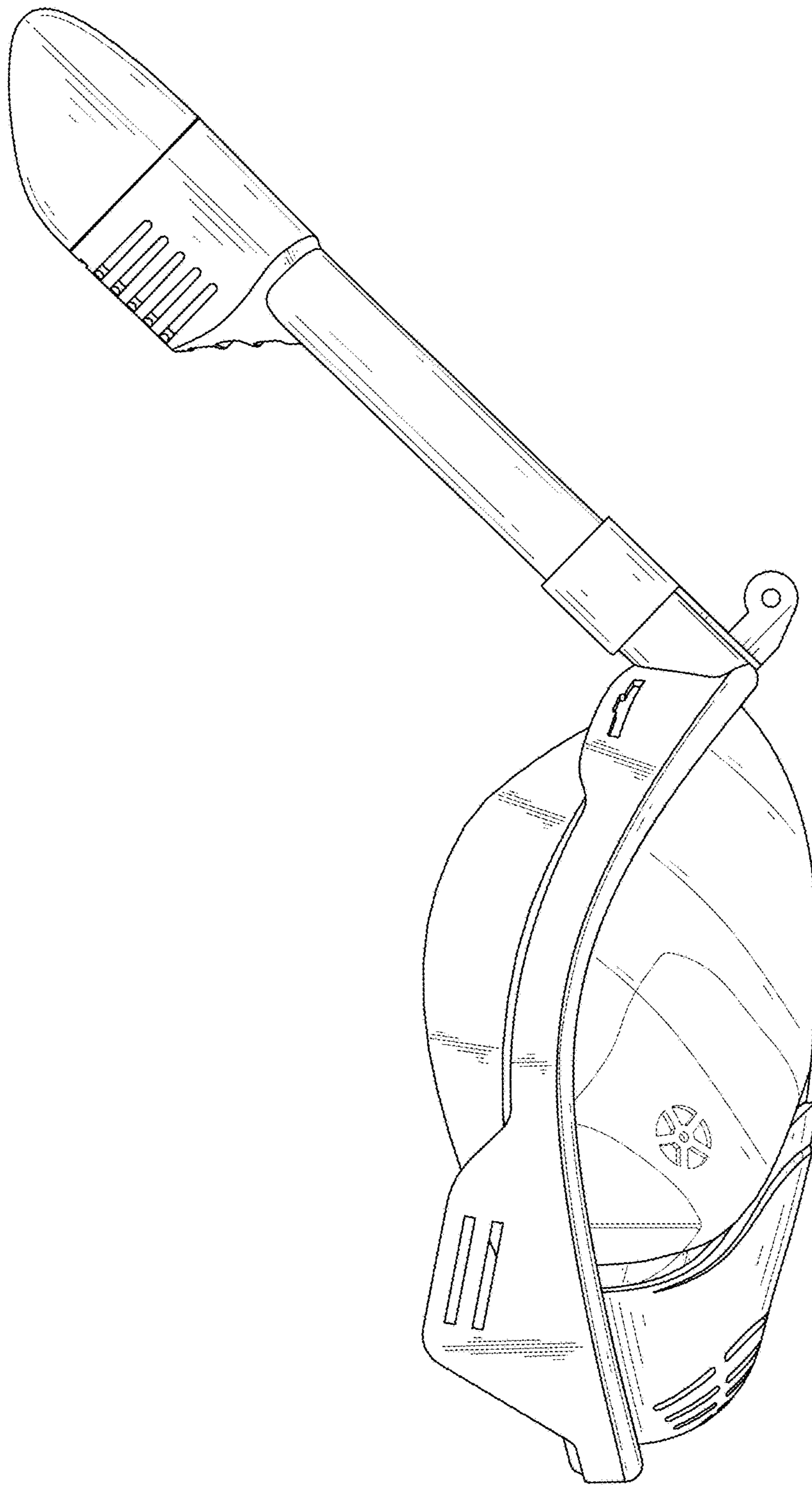


FIG. 5

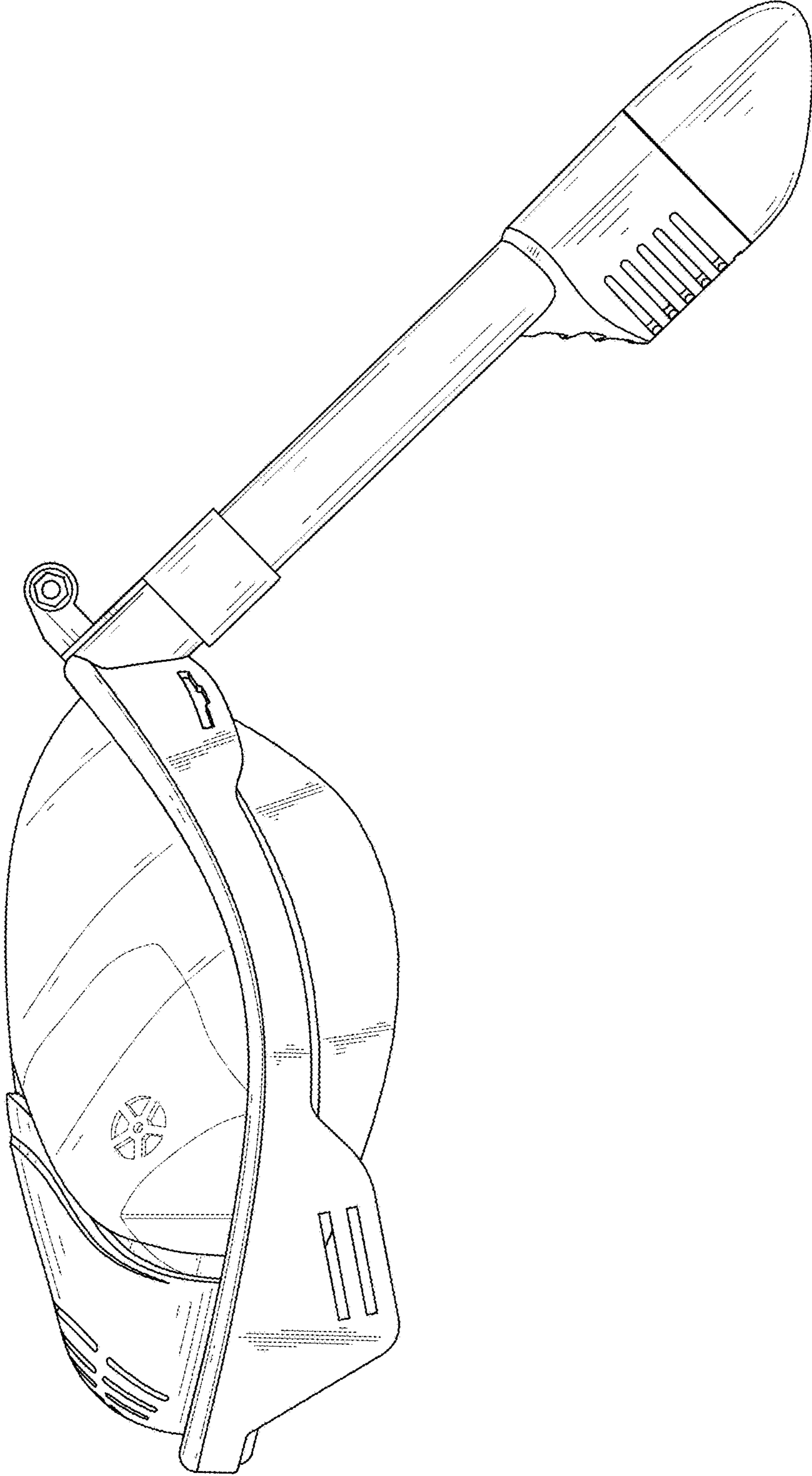


FIG. 6

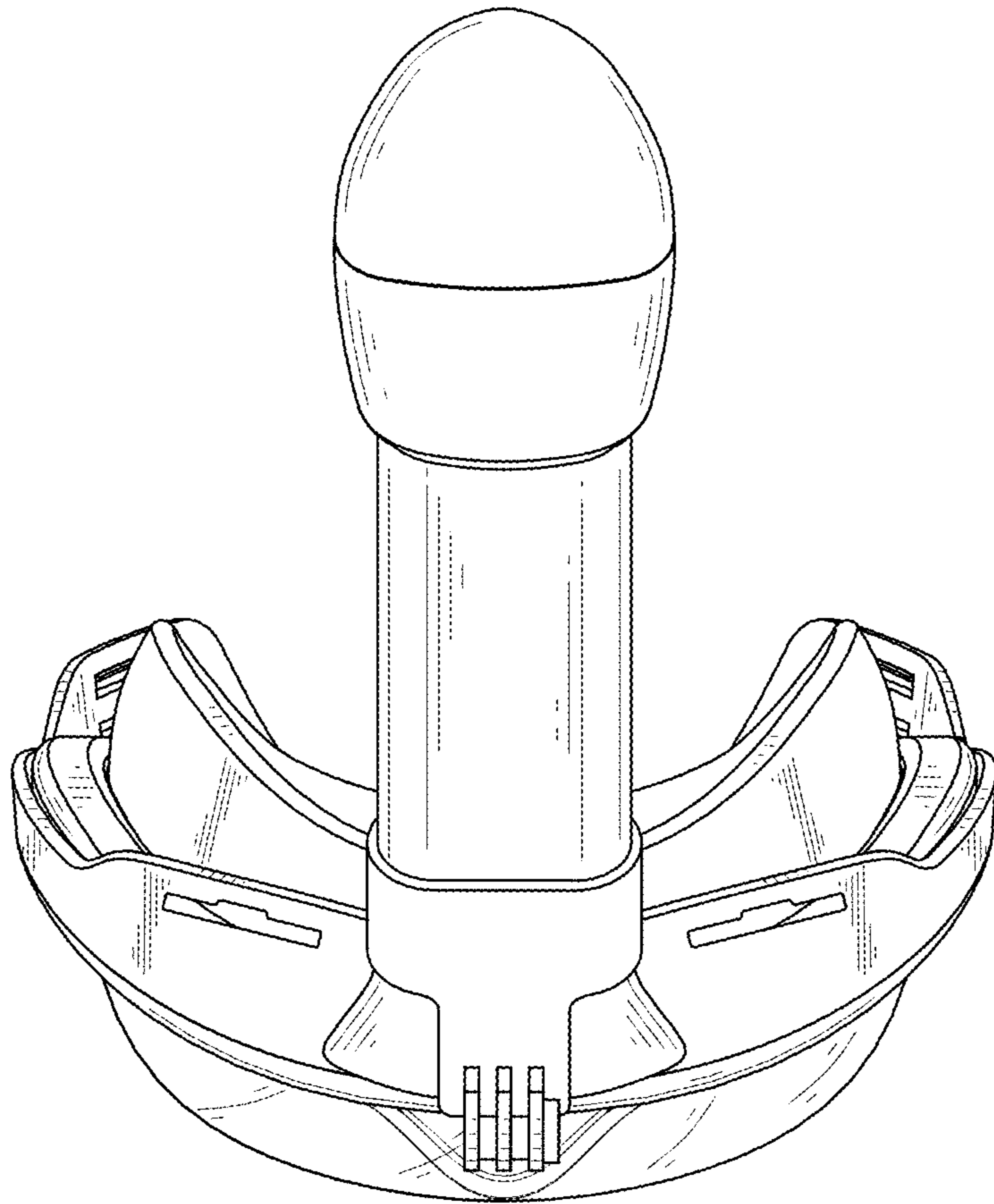


FIG. 7

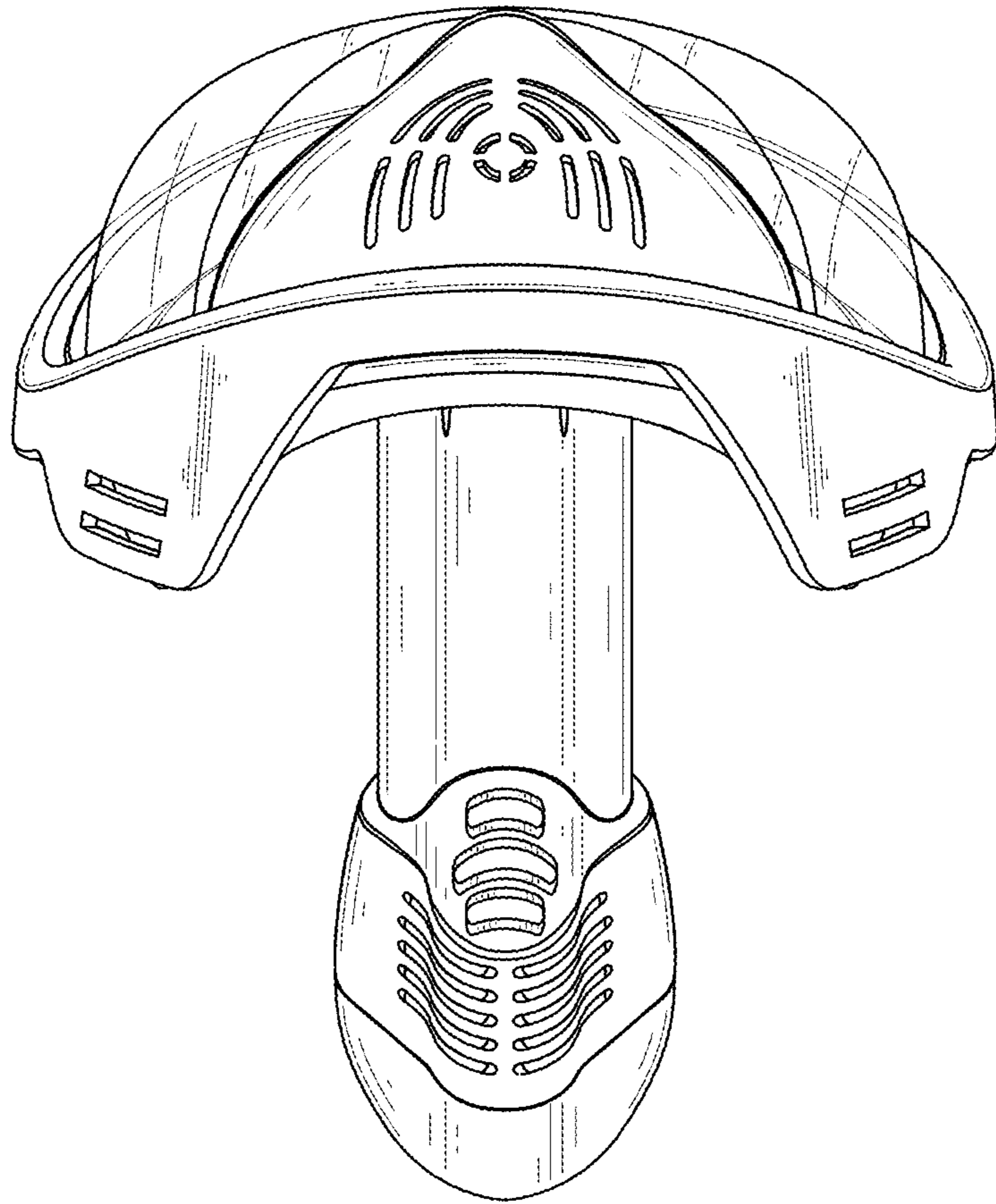


FIG. 8

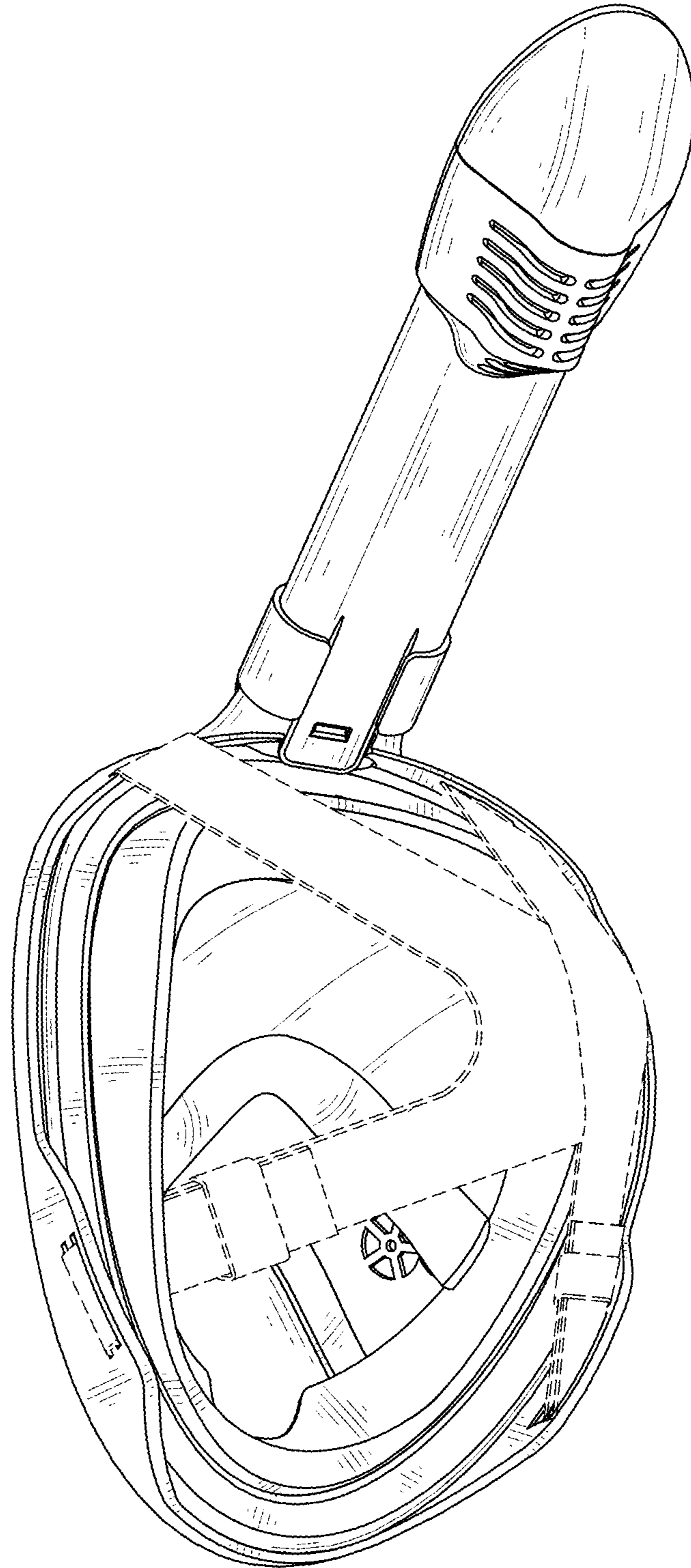


FIG. 9