



US00D838357S

(12) **United States Design Patent**  
**Haggar**

(10) **Patent No.:** **US D838,357 S**

(45) **Date of Patent:** **\*\* Jan. 15, 2019**

- (54) **CEILING FAN MOTOR HOUSING**
- (71) Applicant: **HUNTER FAN COMPANY**,  
Memphis, TN (US)
- (72) Inventor: **Alexander Jonathan Haggar**,  
Memphis, TN (US)
- (73) Assignee: **Hunter Fan Company**, Memphis, TN  
(US)

- 7,080,813 B1 \* 7/2006 Frampton ..... F04D 25/088  
248/342
- D542,905 S 5/2007 Young
- D547,436 S \* 7/2007 Shurtleff ..... D23/411
- D549,315 S 8/2007 Gajewski
- D549,814 S 8/2007 Gajewski
- D566,259 S 4/2008 Bucher et al.
- D581,040 S \* 11/2008 Pickett ..... D23/411
- D600,339 S 9/2009 Searle

(Continued)

- (\*\*) Term: **15 Years**
- (21) Appl. No.: **29/629,583**
- (22) Filed: **Dec. 14, 2017**

**OTHER PUBLICATIONS**

<http://ceilingfans.emerson.com/shop/en/fan/fan-s-all/fans-s-browse-all/highrise-fan-p-cf430>, Item Specification for Emerson Highrise, Model No. CF430BS, Accessed on Oct. 27, 2016.

(Continued)

**Related U.S. Application Data**

- (62) Division of application No. 29/582,444, filed on Oct. 27, 2016, now Pat. No. Des. 810,919.
- (51) **LOC (11) Cl.** ..... **23-04**
- (52) **U.S. Cl.**  
USPC ..... **D23/411**
- (58) **Field of Classification Search**  
USPC ..... D23/370, 377, 379, 385, 411; D26/59  
CPC ..... F04D 25/088; F21V 33/0096  
See application file for complete search history.

*Primary Examiner* — Janice Hallmark

(74) *Attorney, Agent, or Firm* — McGarry Bair PC

(57) **CLAIM**

The ornamental design for a ceiling fan motor housing, as shown and described.

**DESCRIPTION**

FIG. 1 is a top perspective view of a ceiling fan motor housing in the environment of a ceiling fan showing my new design;

FIG. 2 is a bottom perspective view of the ceiling fan motor housing of FIG. 1.

FIG. 3 is a top view of the ceiling fan motor housing of FIG. 1;

FIG. 4 is a bottom view of the ceiling fan motor housing of FIG. 1; and,

FIG. 5 is a side view of the ceiling fan motor housing of FIG. 1.

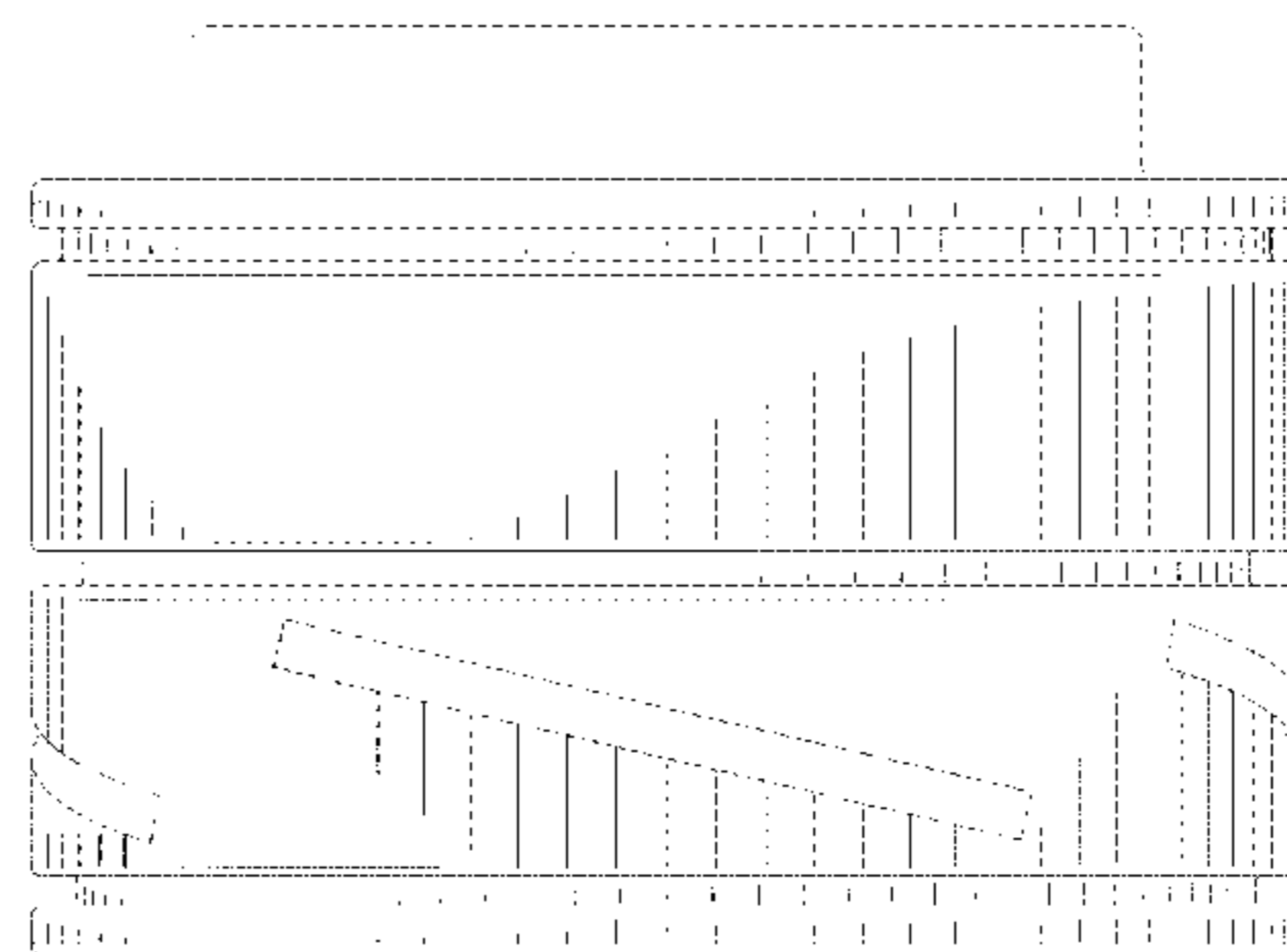
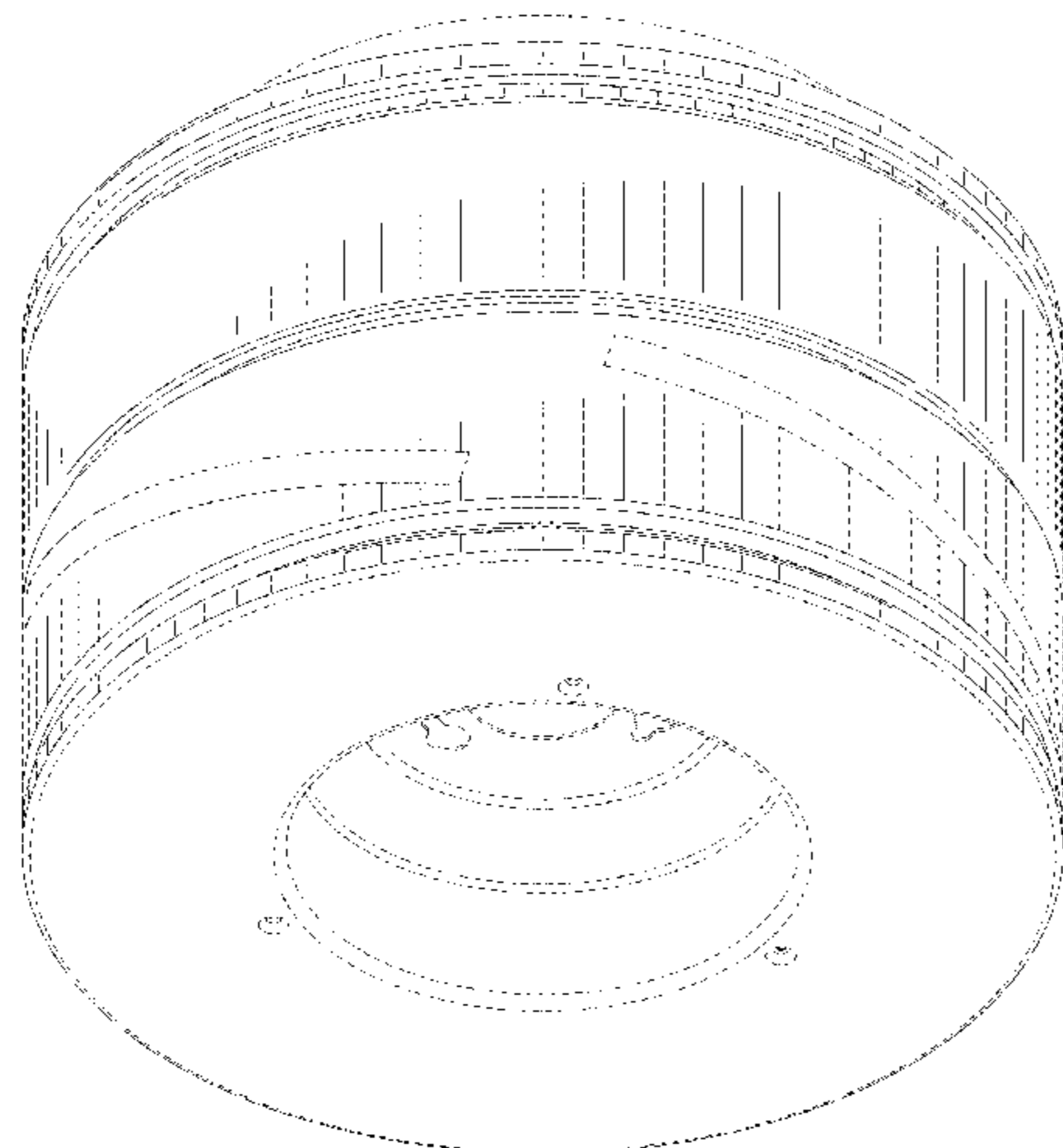
The broken lines immediately adjacent the shaded areas depict the bounds of the claimed design, while all other broken lines are directed to environment.

(56) **References Cited**

**U.S. PATENT DOCUMENTS**

- D304,229 S 10/1989 Rezek
- D314,618 S \* 2/1991 Yen ..... D23/377
- D325,776 S 4/1992 Scofield et al.
- D340,515 S 10/1993 Rezek
- D386,257 S 11/1997 Liu
- D398,980 S 9/1998 Pearce
- D408,515 S 4/1999 Evans
- D445,887 S 7/2001 Campbell
- D449,682 S 10/2001 Gajewski
- D479,317 S 9/2003 Gajewski
- D485,897 S \* 1/2004 Tai ..... D23/377

**1 Claim, 5 Drawing Sheets**



(56)

References Cited

U.S. PATENT DOCUMENTS

D603,955	S	*	11/2009	Patton	.....	D23/411
D627,456	S		11/2010	Glasbrenner		
D627,874	S		11/2010	Pan		
D630,312	S		1/2011	Spaulding		
D632,384	S		2/2011	Pan		
D708,315	S	*	7/2014	Wang	.....	D23/377
D715,418	S		10/2014	Schulzman		
D744,082	S	*	11/2015	Wang	.....	D23/411
D744,634	S		12/2015	Wang		
D785,157	S	*	4/2017	Wang	.....	D23/377
D794,768	S	*	8/2017	Wang	.....	D23/377
D795,410	S	*	8/2017	Holmes	.....	D23/377
D795,411	S	*	8/2017	Wang	.....	D23/377
D796,024	S	*	8/2017	Holmes	.....	D23/377
D799,660	S	*	10/2017	Jones	.....	D23/377
D804,629	S	*	12/2017	McRoberts	.....	D23/377
D804,630	S	*	12/2017	Holmes	.....	D23/377
D804,639	S	*	12/2017	Guthrie	.....	D23/377
D810,270	S	*	2/2018	Wang	.....	D23/411
D810,917	S	*	2/2018	Holmes	.....	D23/377
D810,919	S	*	2/2018	Haggar	.....	D23/377
2008/0286105	A1		11/2008	Gajewski et al.		

OTHER PUBLICATIONS

<http://ceilingfans.emerson.com/shop/en/fan/fans-s-emerson-fans/fans-s-contemporary/atomical-fan-p-cf930>, Item Specification for Emerson Atomical, Model No. CF930WW, Accessed on Oct. 27, 2016.  
<http://www.minkagroup.net/products/f734-gl>, Item Specification for Minka Group Strata, Model No. F734-GL, Accessed on Oct. 27, 2016.

<http://www.craftmade.com/Craftmade-MN44FB4-Flat-Black-Ceiling-Fan.HTM>, Item Specification for Craftmade Montreal, Model No. MN44FB4, Accessed on Oct. 27, 2016.  
<http://www.kichler.com/products/product/52-arkwet-patio-ceiling-fan-wsp-339529wsp.aspx>, Item Specification for Kichler Arkwet Patio Collection 52" Arkwet Patio Ceiling Fan WSP, Model No. 339529WSP, Accessed on Oct. 27, 2016.  
<http://www.kichler.com/products/product/arkwright-ceiling-fan-ap-300146ap.aspx>, Item Specification for Kichler Arkwright Collection Arkwright Fan AP, Model No. 300146AP, Accessed on Oct. 27, 2016.  
<http://www.quoruminternational.com/index.cfm/app/productDetail?product=32323-65>, Item Specification for Quorum Gusto Satin Nickel Ceiling Fan, Model No. 32323-65, Accessed on Oct. 27, 2016.  
<http://www.montecarlofans.com/38127/42-Vision-II---Oil-Rubbed-Bronze-3VNR42OZD.html>, Monte Carlo 42" Vision II, Model No. 3VNR42OZD, Accessed on Oct. 27, 2016.  
<http://www.modernfan.com/products/lumina.html>, Item Specification for Modern Fan Co Lumina, Accessed on Oct. 27, 2016.  
<http://www.kingoffans.com/#/products/ceilingFans>, Item Specification for Tripoli, Accessed on Oct. 27, 2016.  
<http://www.fanimation.com/products/index.php/fans/distinction-dc.html>, Item Specification for Fanimation Distinction DC, Model No. D1, Accessed on Oct. 27, 2016.  
<http://www.fanimation.com/products/crestford/>, Item Specification for Fanimation Crestford, Model No. FP7954, Accessed on Oct. 27, 2016.  
<http://www.craftmade.com/Craftmade-FB60OBG5-Oiled-Bronze-Gilded-Outdoor-Ceiling-Fan.HTM>, Item Specification for Craftmade Fredericksburg, Model FB60OBG5, Accessed on Oct. 27, 2016.

\* cited by examiner

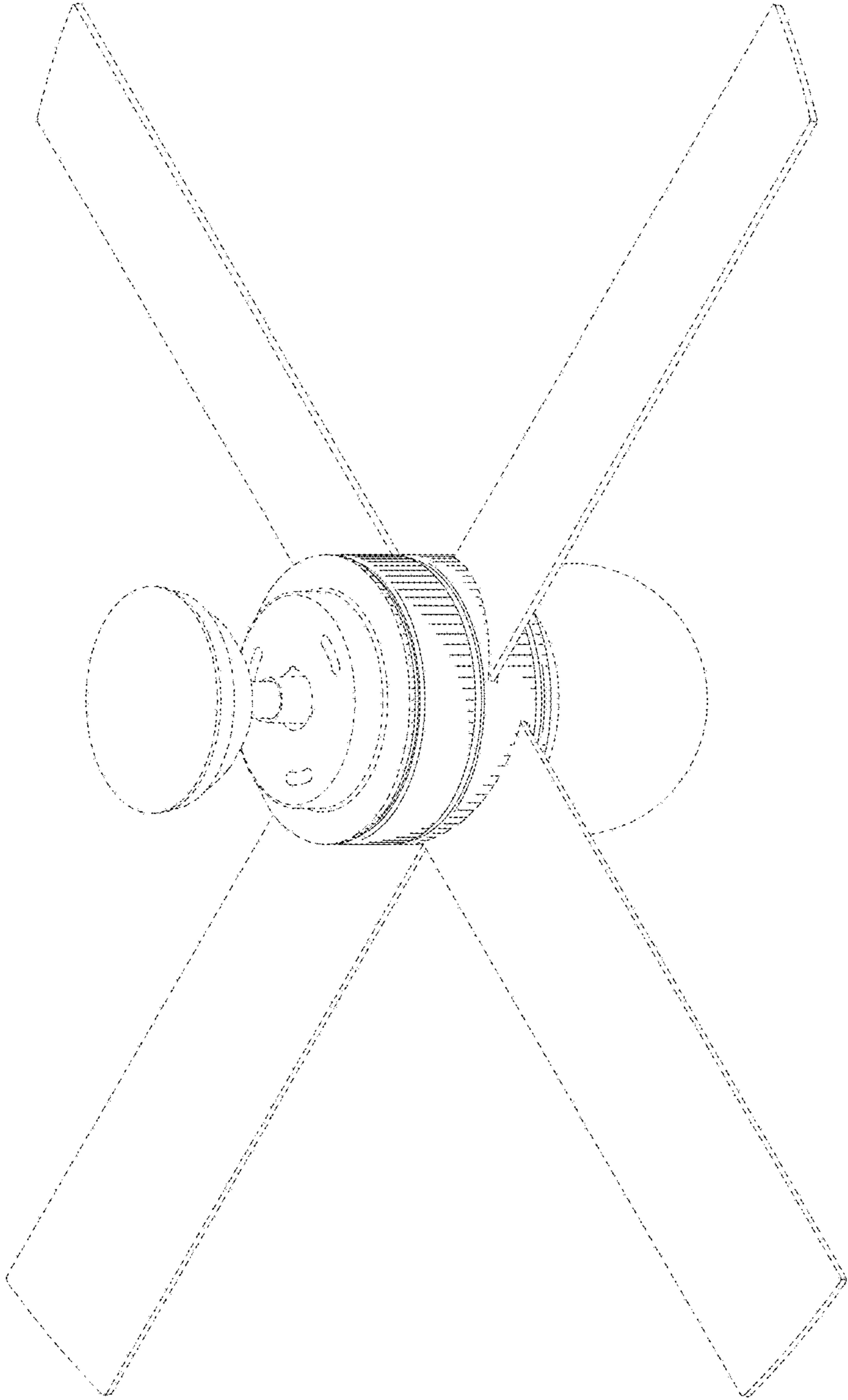


FIG.1



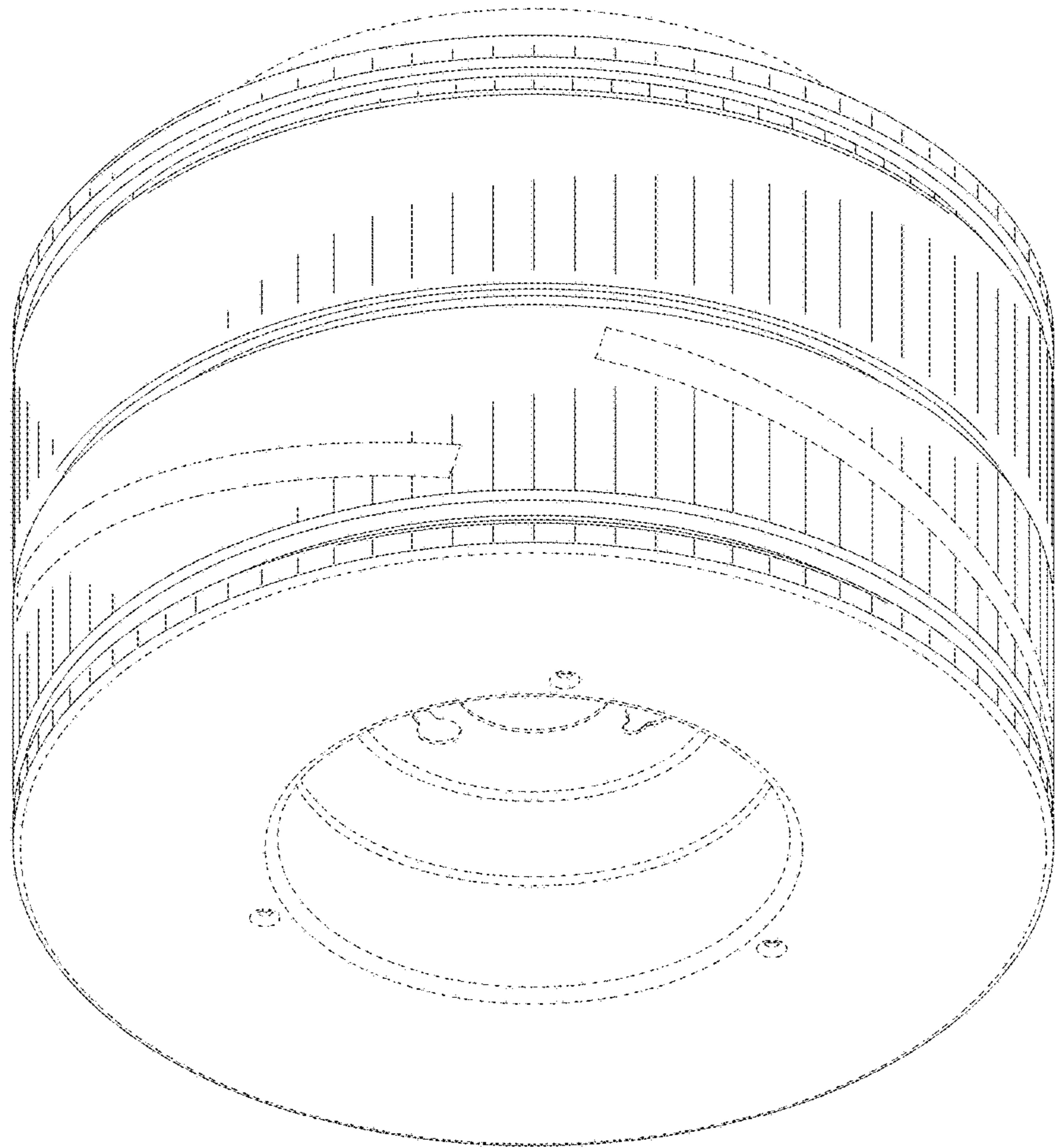


FIG.2

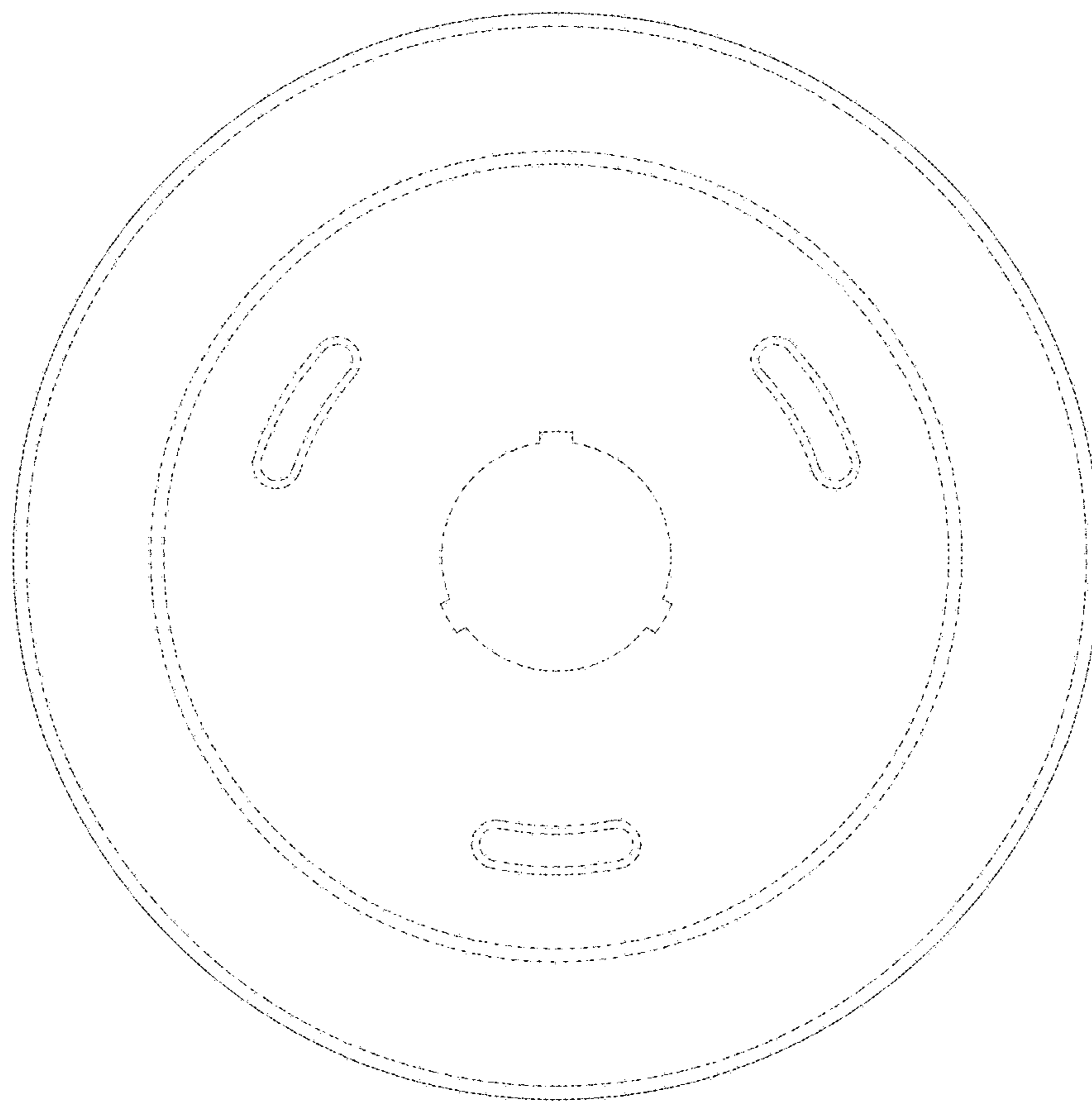


FIG.3

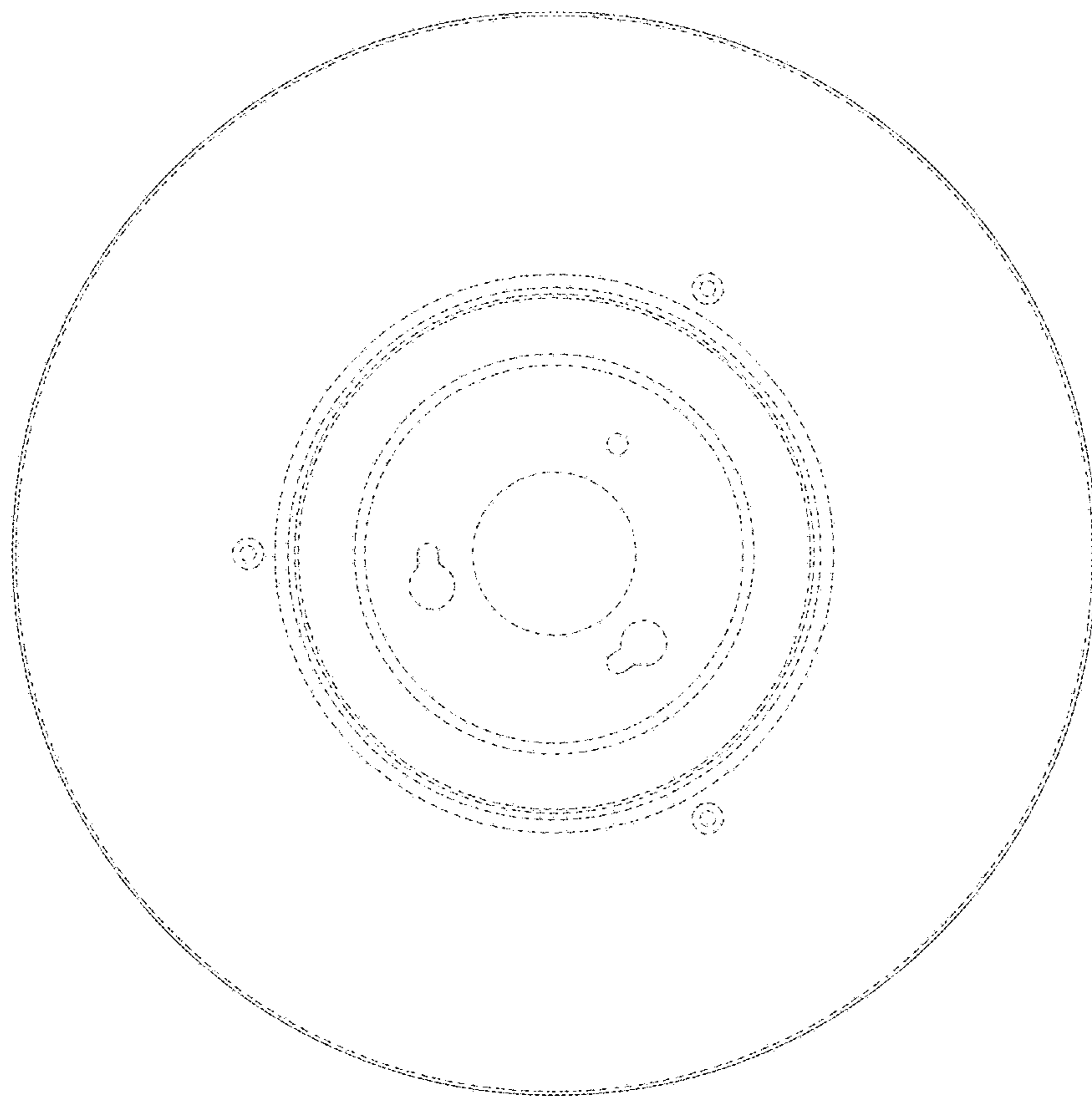


FIG.4

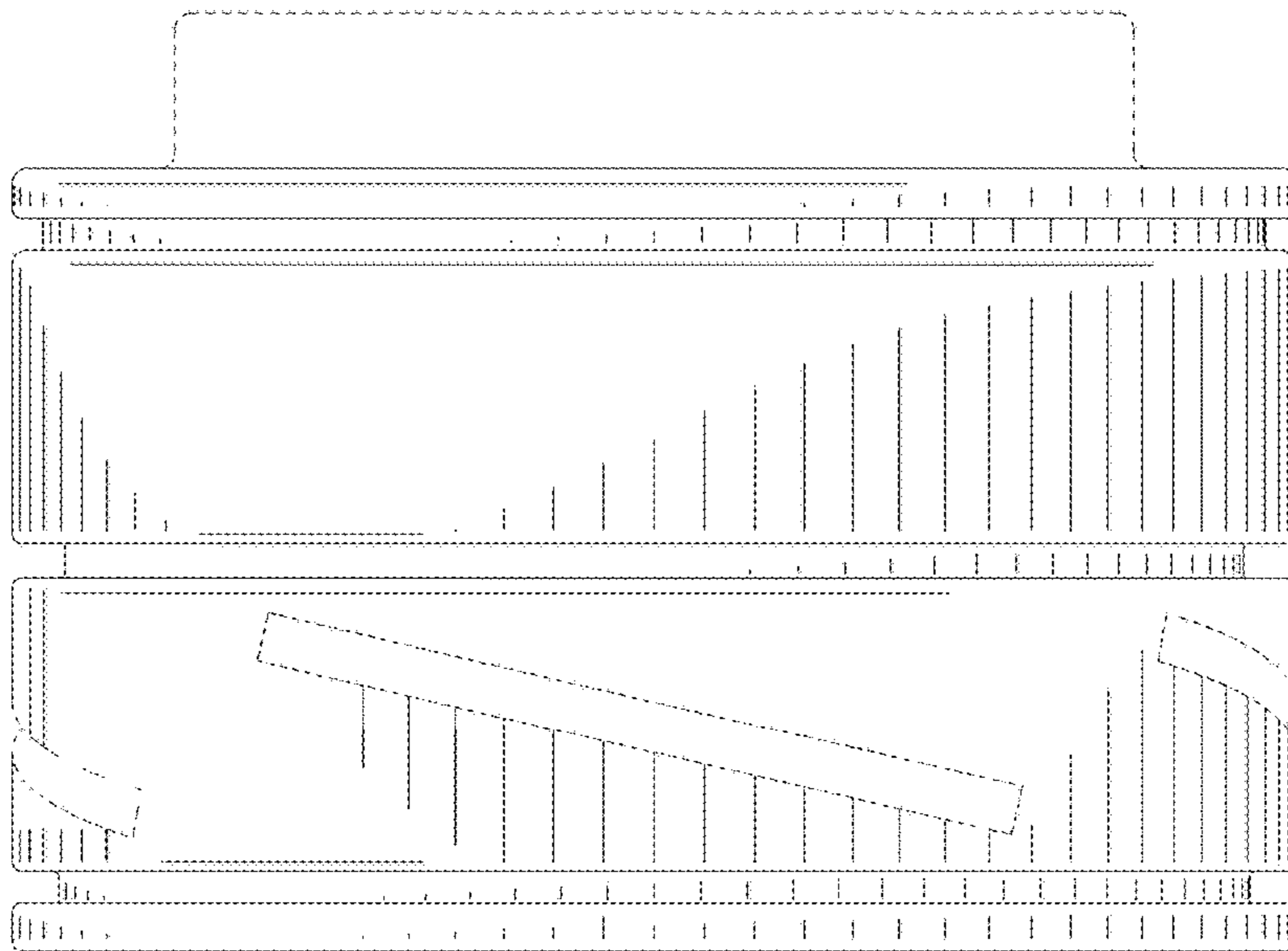


FIG.5