



US00D838356S

(12) **United States Design Patent**
Haggar

(10) **Patent No.:** **US D838,356 S**

(45) **Date of Patent:** **** Jan. 15, 2019**

(54) **CEILING FAN MOTOR HOUSING**

D627,874 S 11/2010 Pan
D628,688 S 12/2010 Pan
D707,336 S 6/2014 Pan

(Continued)

(71) Applicant: **HUNTER FAN COMPANY**,
Memphis, TN (US)

(72) Inventor: **Alexander Jonathan Haggar**,
Memphis, TN (US)

(73) Assignee: **Hunter Fan Company**, Memphis, TN
(US)

(**) Term: **15 Years**

(21) Appl. No.: **29/629,381**

(22) Filed: **Dec. 13, 2017**

OTHER PUBLICATIONS

<http://ceilingfans.emerson.com/shop/en/fan/fan-s-all/fans-s-browse-all/highrise-fan-p-cf430>, Item Specification for Emerson Highrise Model CF430BS Ceiling Fan, accessed on Oct. 28, 2016.

(Continued)

Primary Examiner — Janice Hallmark

(74) *Attorney, Agent, or Firm* — McGarry Bair PC

(57) **CLAIM**

The ornamental design for a ceiling fan motor housing, as shown and described.

DESCRIPTION

Related U.S. Application Data

(62) Division of application No. 29/582,526, filed on Oct. 28, 2016, now Pat. No. Des. 810,920.

(51) **LOC (11) Cl.** **23-04**

(52) **U.S. Cl.**
USPC **D23/411**

(58) **Field of Classification Search**
USPC D23/370, 377, 379, 385, 411; D26/59
CPC F04D 25/088; F21V 33/0096
See application file for complete search history.

(56) **References Cited**

U.S. PATENT DOCUMENTS

D298,052 S 10/1988 Sonneman
D328,491 S 8/1992 Markwardt
D328,785 S 8/1992 Markwardt
D333,867 S 3/1993 Markwardt
D345,790 S 4/1994 Caldwell
D510,425 S 10/2005 Young
7,080,813 B1 * 7/2006 Frampton F04D 25/088
248/342

D552,293 S 10/2007 Silver
D557,789 S 12/2007 Pickett

FIG. 1 is a top perspective view of a ceiling fan motor housing in the environment of a ceiling fan showing my new design;

FIG. 2 is a bottom perspective view of the ceiling fan motor housing of FIG. 1;

FIG. 3 is a top view of the ceiling fan motor housing of FIG. 1;

FIG. 4 is a bottom view of the ceiling fan motor housing of FIG. 1;

FIG. 5 is a front side view of the ceiling fan motor housing of FIG. 1;

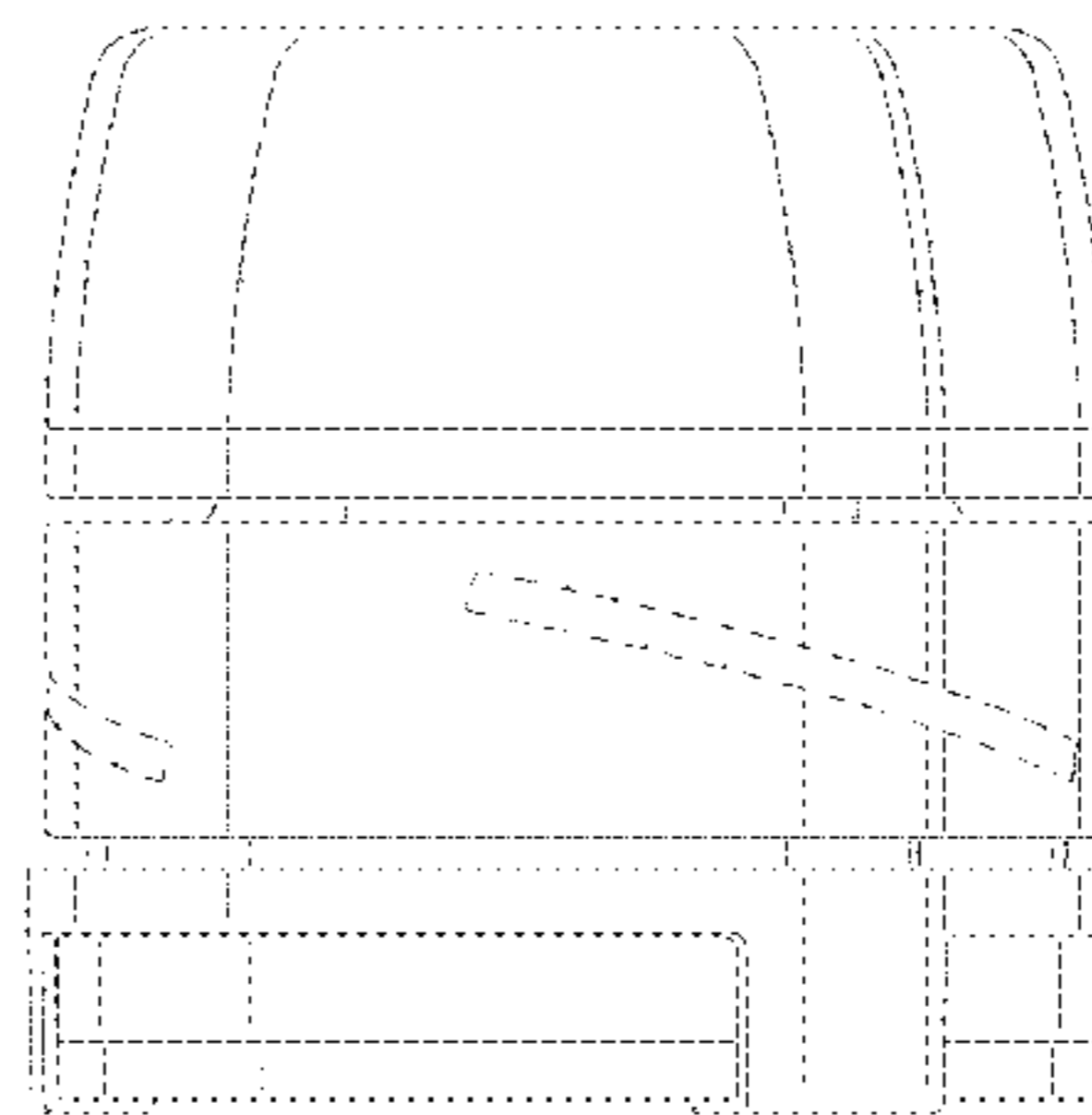
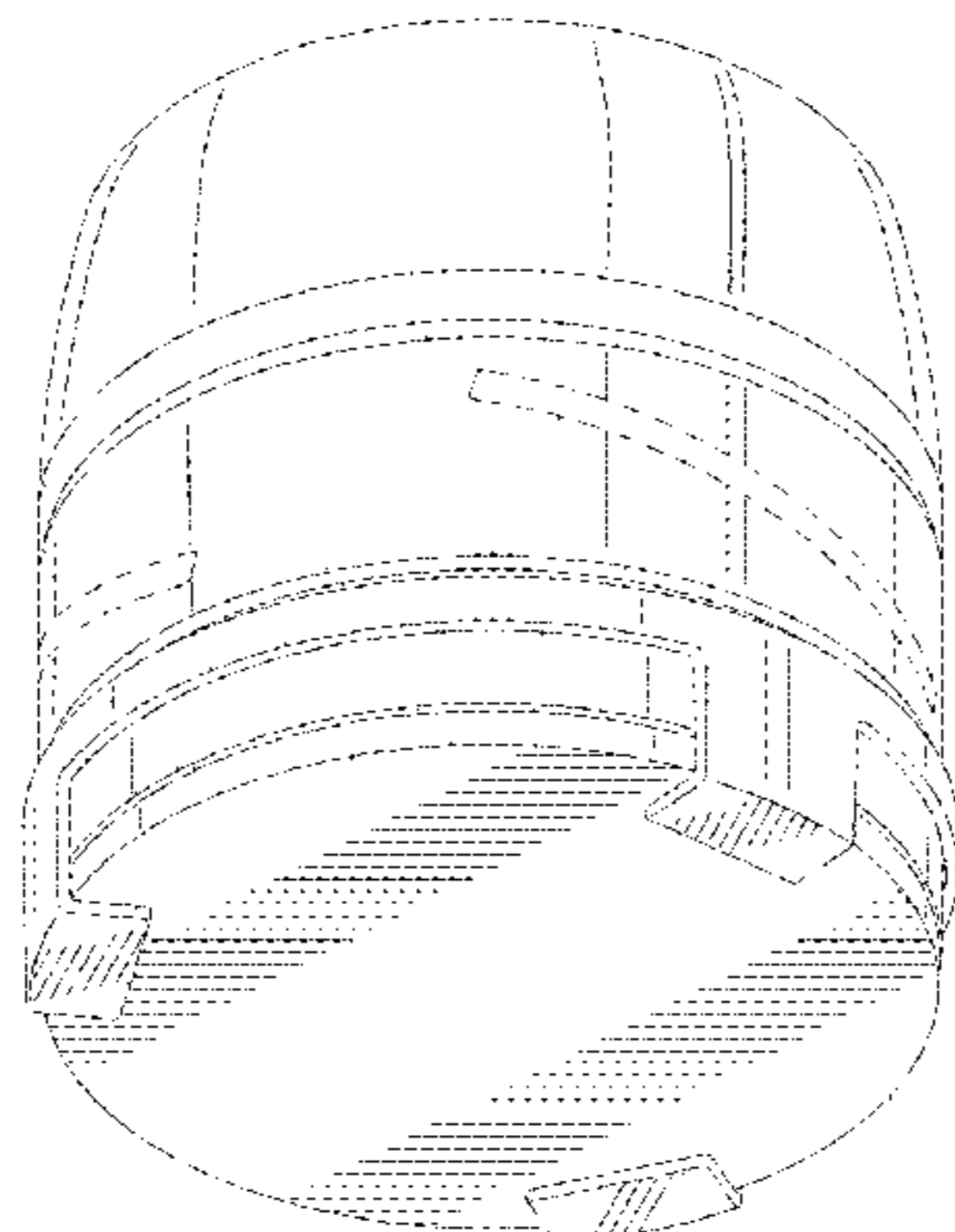
FIG. 6 is a rear side view of the ceiling fan motor housing of FIG. 1;

FIG. 7 is a right side view of the ceiling fan motor housing of FIG. 1; and,

FIG. 8 is a left side view of the ceiling fan motor housing of FIG. 1.

The broken lines immediately adjacent the shaded areas depict the bounds of the claimed design, while all other broken lines are directed to environment; the broken lines form no part of the claimed design.

1 Claim, 8 Drawing Sheets



(56)

References Cited

U.S. PATENT DOCUMENTS

D744,634 S	12/2015	Wang	
D771,794 S	11/2016	Wang	
D782,644 S	3/2017	Wang	
D785,157 S *	4/2017	Wang D23/377
D795,410 S *	8/2017	Holmes D23/377
D804,629 S *	12/2017	McRoberts D23/377
D804,630 S *	12/2017	Holmes D23/377
D804,639 S *	12/2017	Guthrie D23/377
D810,270 S *	2/2018	Wang D23/411
D810,917 S *	2/2018	Holmes D23/377
2005/0249598 A1	11/2005	Young	

OTHER PUBLICATIONS

<http://www.montecarlofans.com/50454/56-Vision-Max---Roman-Bronze-3VNMR56RBD.html>, Item Specification for Monte Carlo 56in Vision Max Roman Bronze Ceiling Fan Model# 3VNMR56RBD, accessed on Oct. 28, 2016.

<http://ceilingfans.emerson.com/shop/en/fan/fans-s-emerson-fans/fans-s-contemporary/atomical-fan-p-cf930>, Item Specification for Emerson Atomical Model CF930BS Ceiling Fan, accessed on Oct. 28, 2016.

<http://www.minkagroup.net/products/f134-gl>, Item Specification for Minka Aire—Strata F734-GL 52in Ceiling Fan, accessed on Oct. 28, 2016.

<http://www.craftmade.com/Craftmade-MN44FB4-Flat-Black-Ceiling-Fan.HTM>, Item Specification for Craftmade MN44FB4 Montreal Ceiling Fan, accessed on Oct. 28, 2016.

<http://www.kichler.com/products/product/52-arkwet-patio-ceiling-fan-wsp-339529wsp.aspx>, Item Specification for (Kichler Arkwet Patio Collection 52in Model 339529WSP Ceiling Fan, accessed on Oct. 28, 2016.

<http://www.kichler.com/products/product/arkwright-ceiling-fan-ap-300146ap.aspx>, Item Specification for Kichler Arkwright Collection Model 300146AP Ceiling Fan, accessed on Oct. 28, 2016.

<http://www.montecarlofans.com/38127/42-Vision-II---Oil-Rubbed-Bronze-3VNR42OZD.html>, Item Specification for Monte Carlo 42in Vision II—Oil Rubbed Bronze Model 3VNR42OZD Ceiling Fan, accessed on Oct. 28, 2016.

<http://www.fanimation.lightingnewyork.com/product/fanimation-fans-zonix-indoor-Geiling-fans-fp4650ob.html?page=1> Item Specification for Fanimation Zonix 54in Oil-Rubbed Bronze Model FP4650OB Ceiling Fan, accessed on Oct. 28, 2016.

<http://www.fanimation.lightingnewyork.com/product/fanimation-fans-xeno-indoor-ceiling-fans-fp6728bn.html?page=1>, Item Specification for Fanimation Xeno 56in Brushed Nickel Model FP6728BN Ceiling Fan, accessed on Oct. 28, 2016.

<http://www.fanimation.com/products/index.php/fans/odyn.html>, Item Specification for Fanimation Odyn Model FPD8149 Ceiling Fan, accessed on Oct. 28, 2016.

<http://www.quoruminternational.com/index.cfm/app/productDetail?product=20543-965>, Item Specification for Quorum International 20543-965 Ceiling Fan, accessed on Oct. 28, 2016.

<http://www.kichler.com/products/product/52-inch-vassar-ceiling-fan-ni-300175ni.aspx>, Item Specification for Kichler 52in Vassar Ceiling Fan Model 300175NI, accessed on Oct. 28, 2016.

* cited by examiner

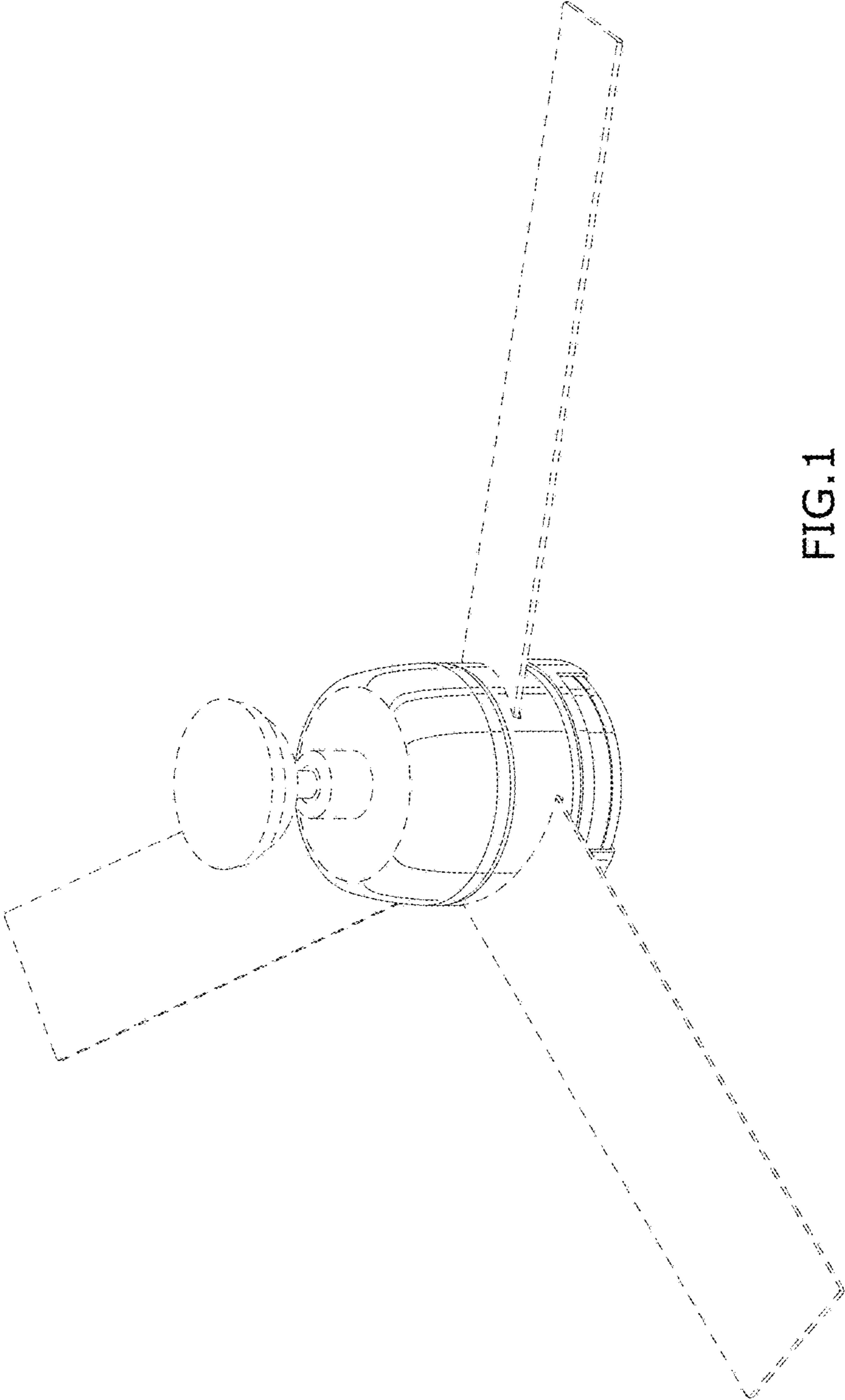


FIG. 1

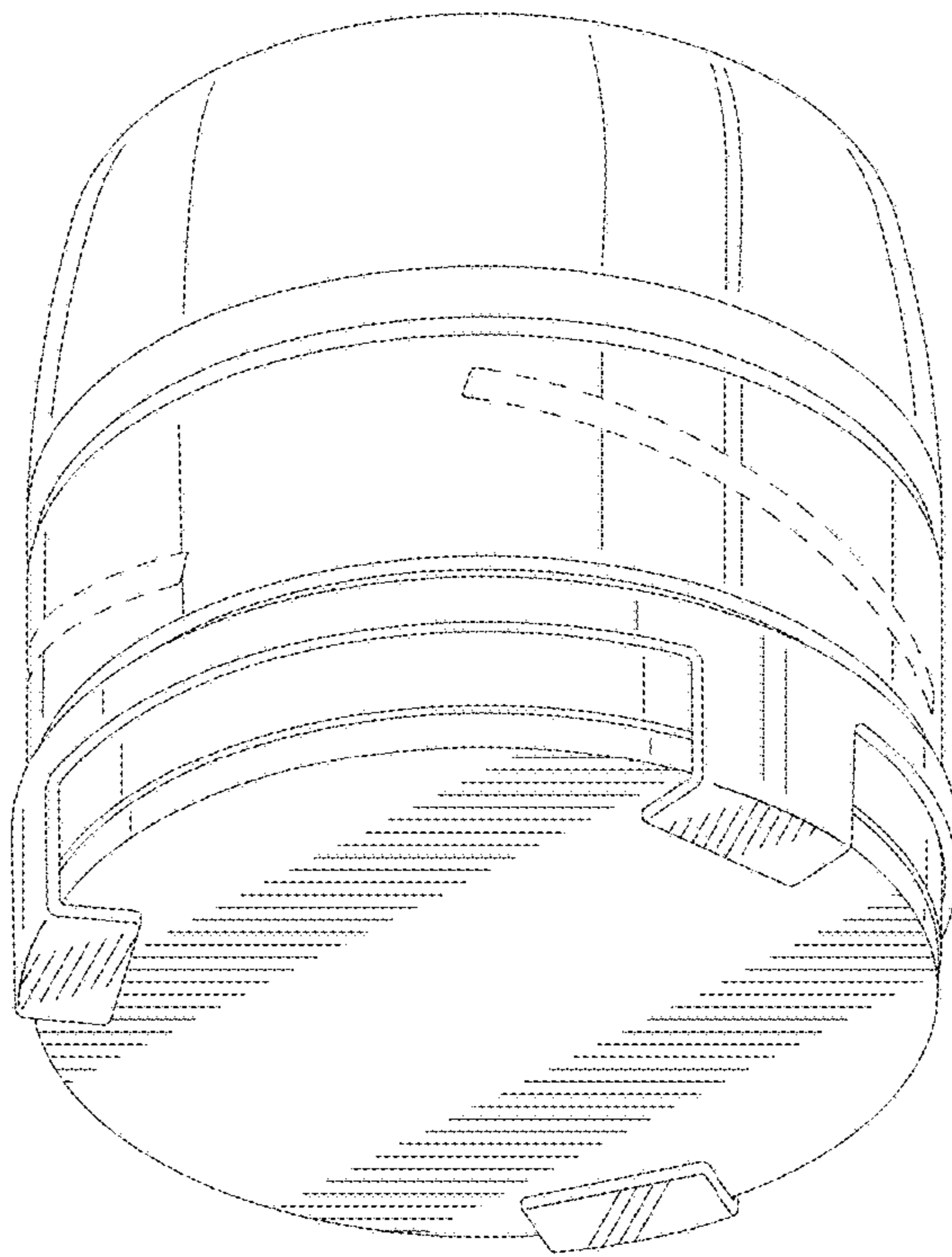


FIG.2

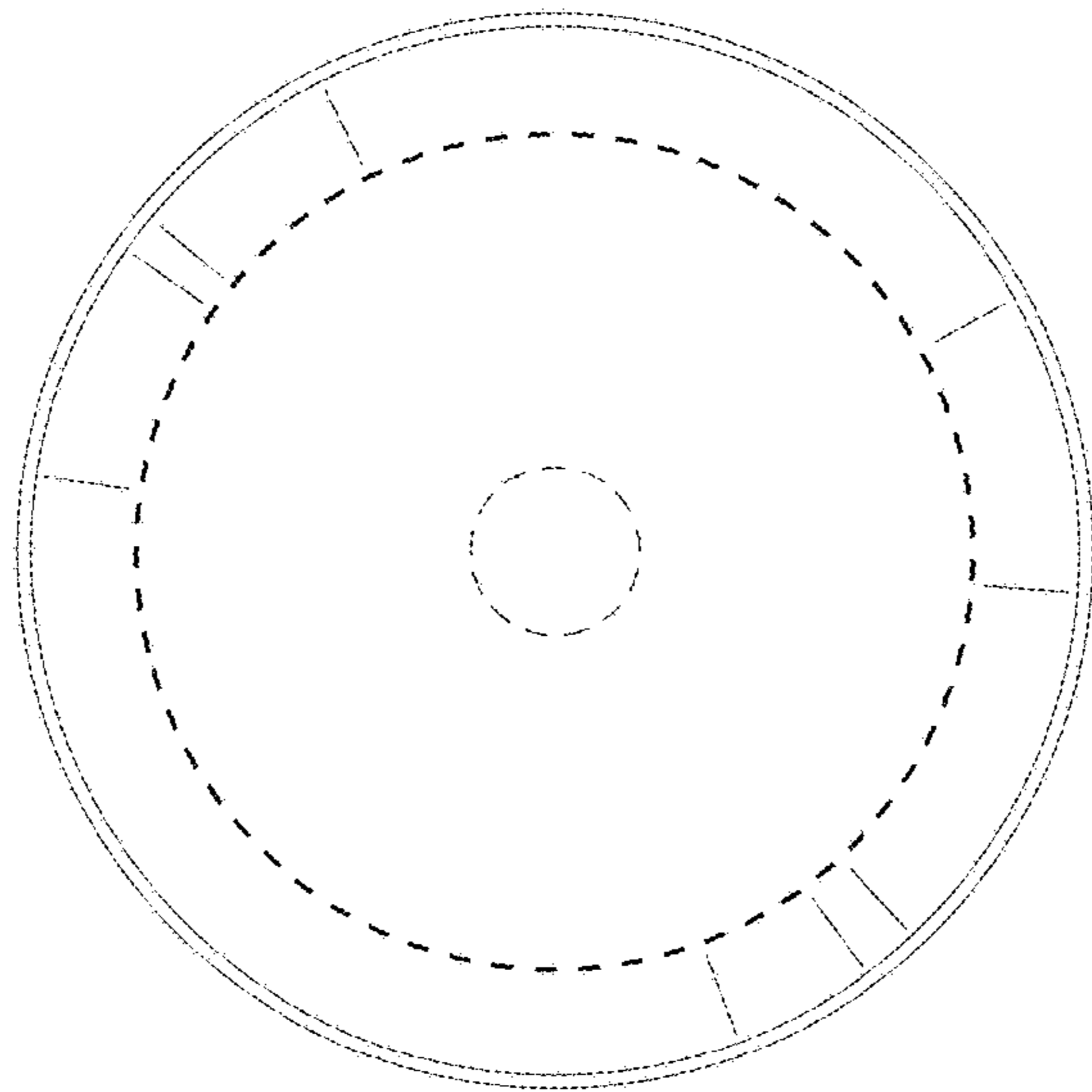


FIG.3

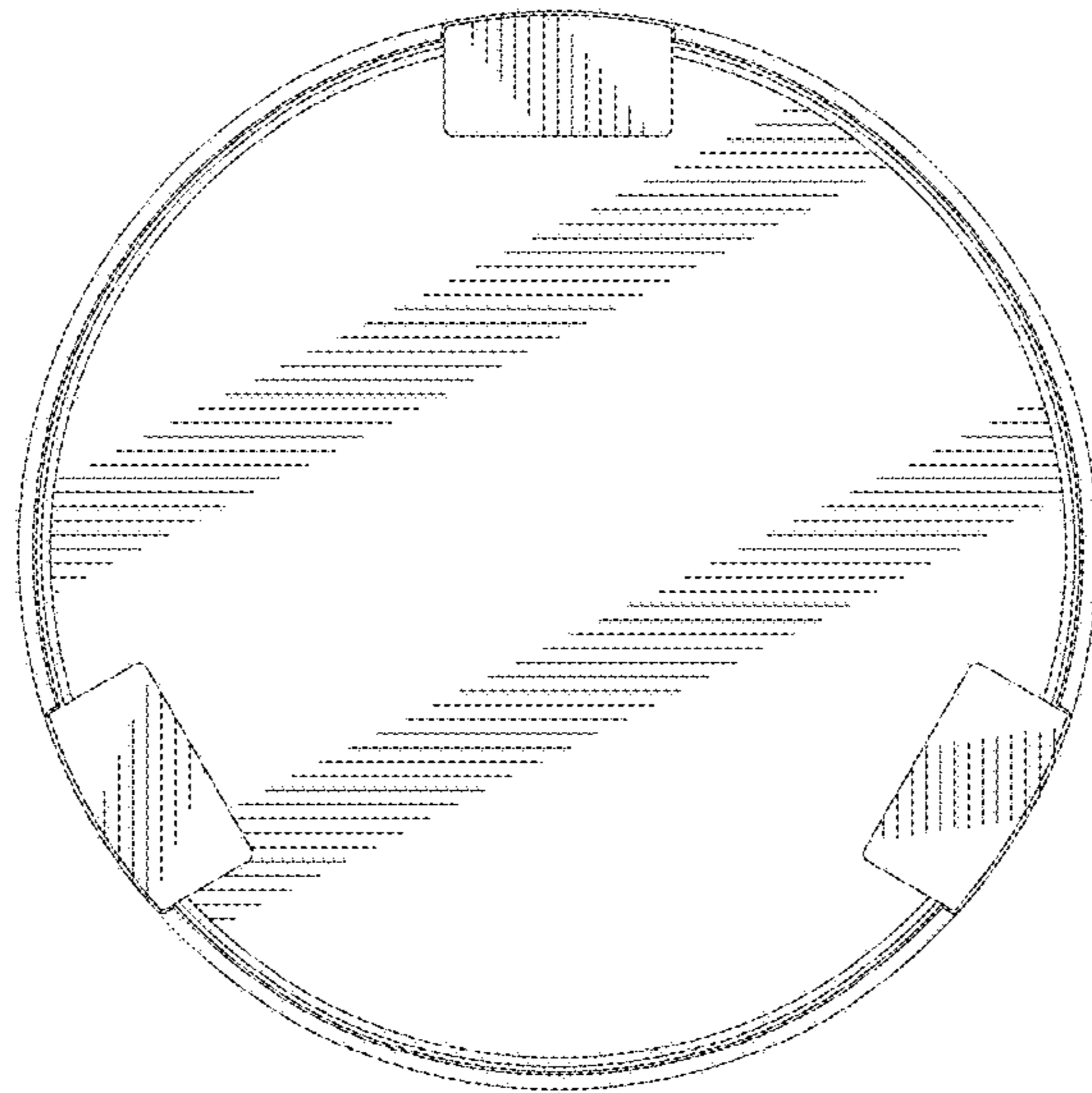


FIG. 4

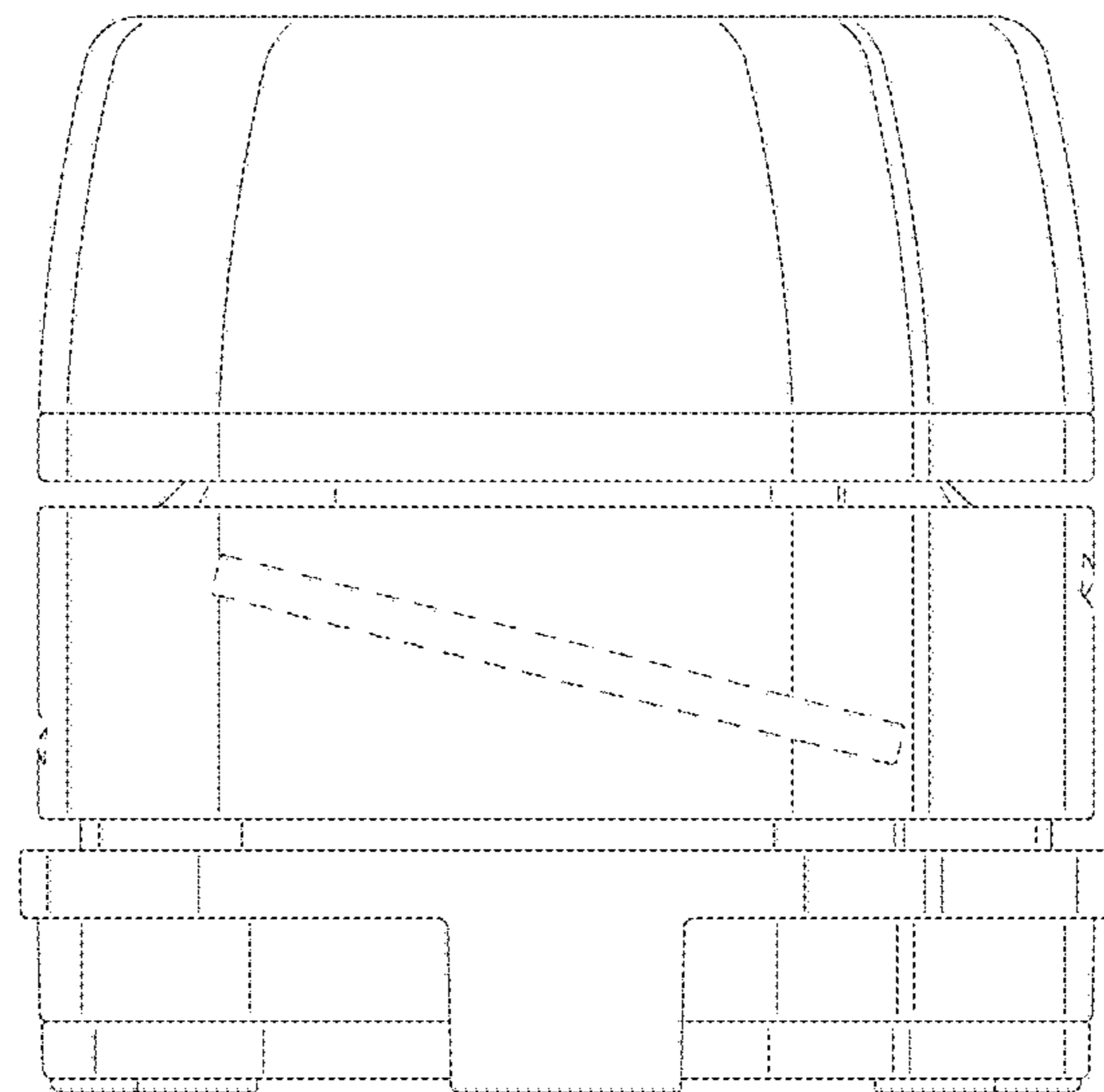


FIG.5

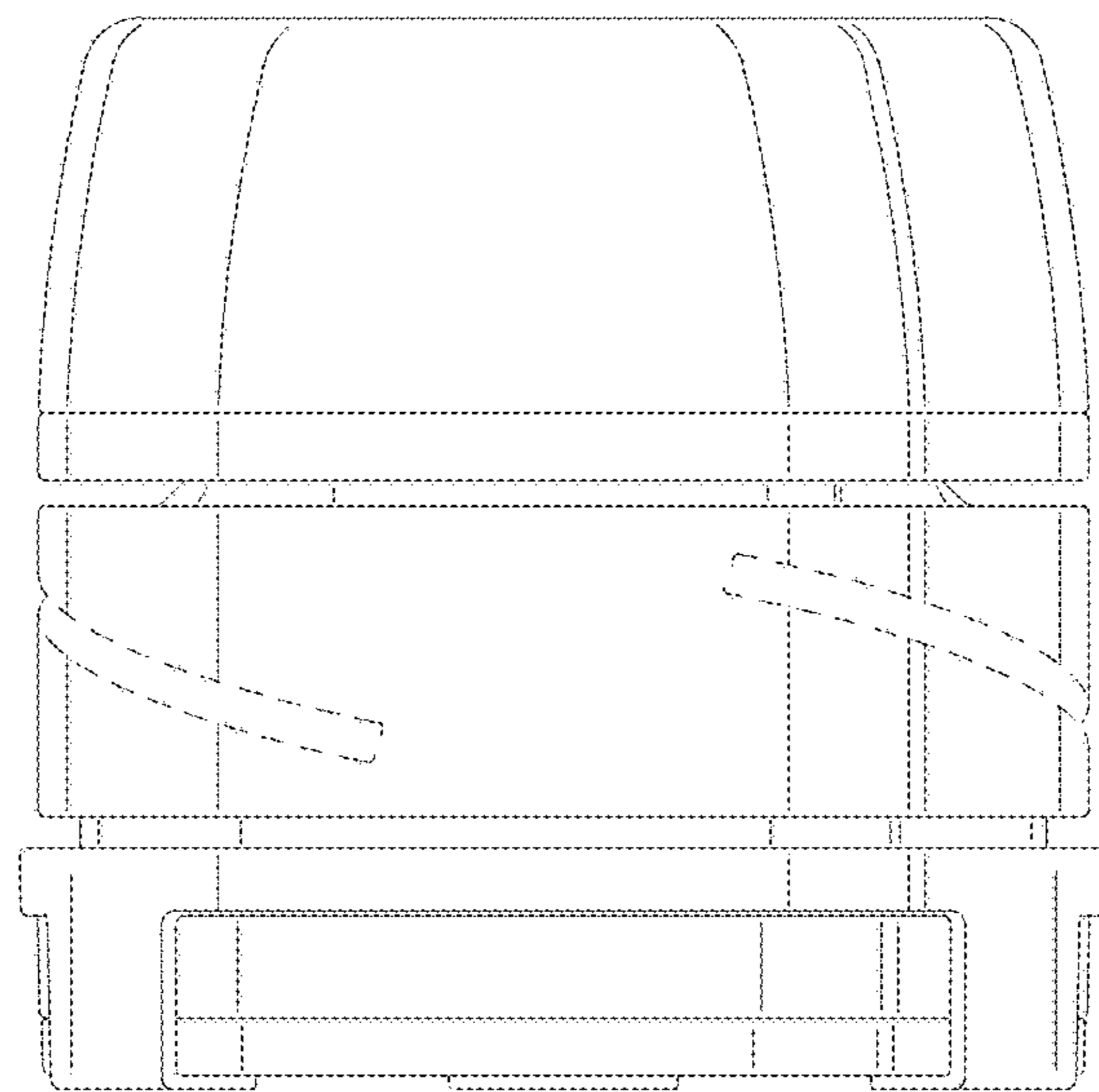


FIG.6

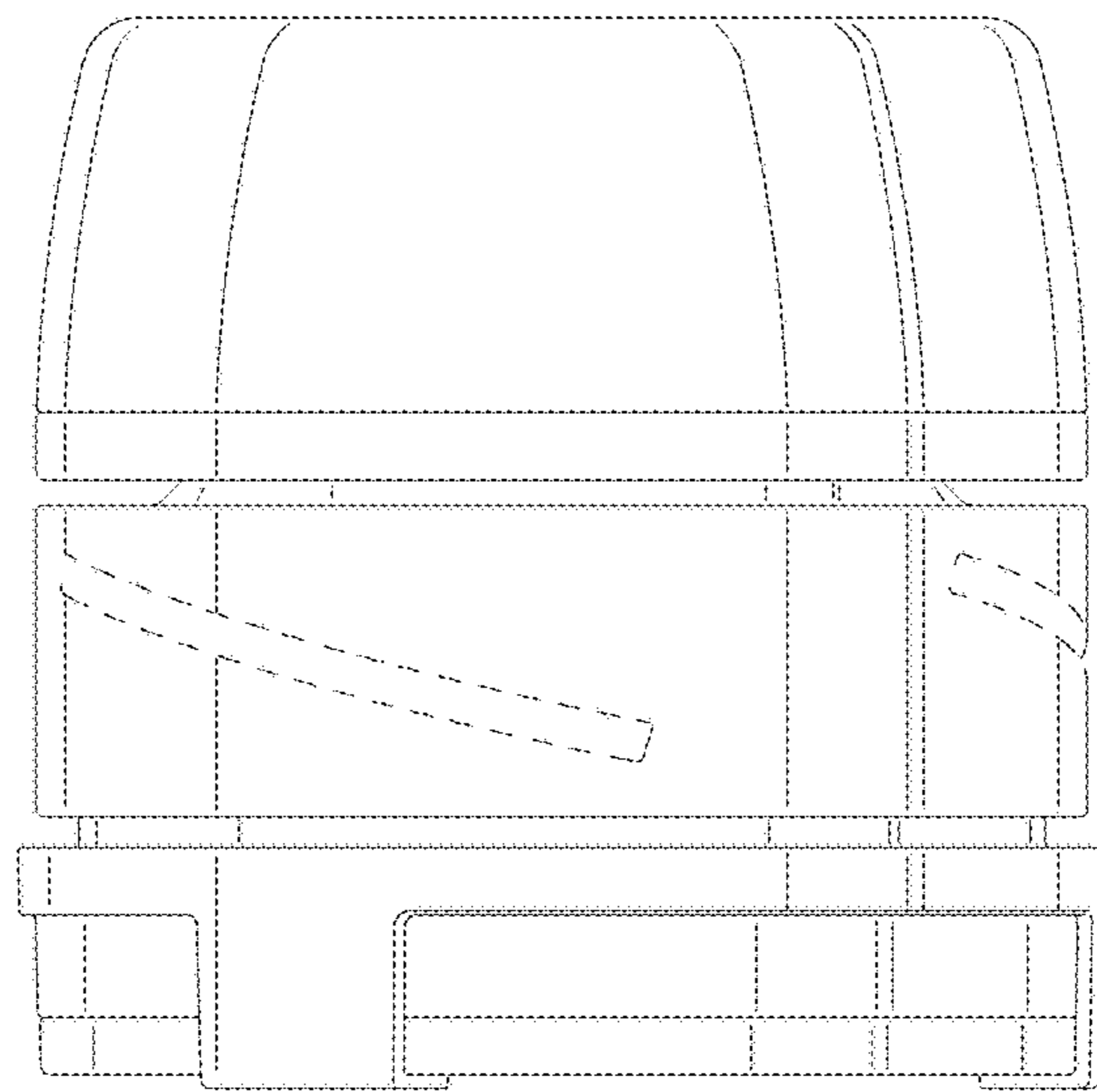


FIG. 7

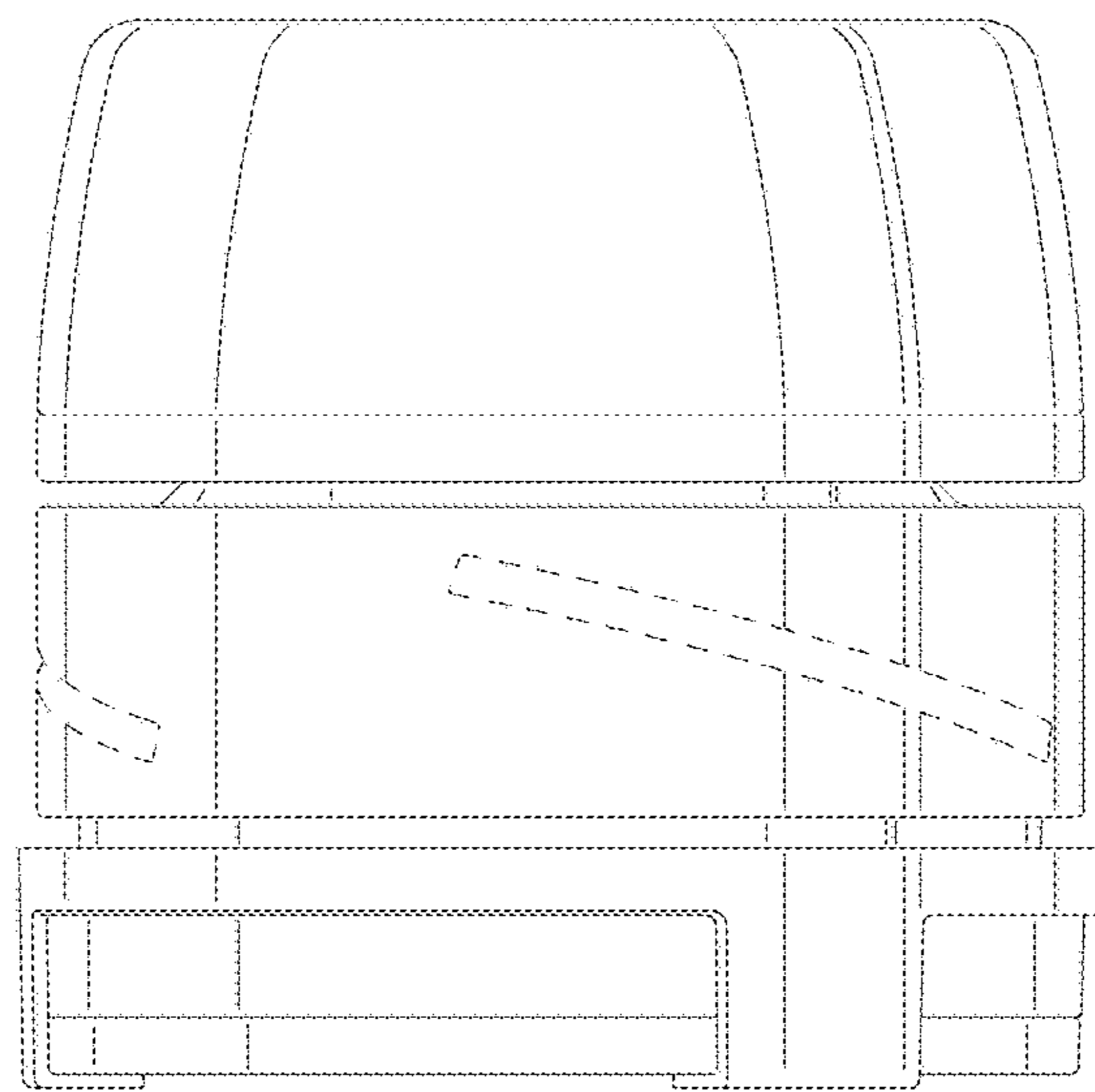


FIG.8