

US00D838353S

(12) **United States Design Patent**  
**Lilly et al.**

(10) **Patent No.:** **US D838,353 S**  
(45) **Date of Patent:** **\*\* Jan. 15, 2019**

(54) **SINK**  
(71) Applicant: **Kohler Co.**, Kohler, WI (US)  
(72) Inventors: **Thomas Lilly**, Kohler, WI (US);  
**Terrence K. Mahon**, Whitefish Bay,  
WI (US)  
(73) Assignee: **KOHLER CO.**, Kohler, WI (US)

D495,037 S 8/2004 Ziemann  
D520,125 S 5/2006 Paredes  
D549,806 S 8/2007 Taylor  
D634,826 S \* 3/2011 Booth ..... D23/290  
D678,990 S 3/2013 Eilmus  
D680,631 S 4/2013 Eilmus  
D680,632 S 4/2013 Eilmus  
RE45,624 E 7/2015 Eilmus  
D746,419 S \* 12/2015 Kurth ..... D23/290

(\*\*) Term: **15 Years**  
(21) Appl. No.: **29/604,345**  
(22) Filed: **May 17, 2017**

**Related U.S. Application Data**

(62) Division of application No. 29/578,679, filed on Sep. 23, 2016, now Pat. No. Des. 787,654, which is a division of application No. 29/536,274, filed on Aug. 14, 2015, now Pat. No. Des. 767,740.

(51) **LOC (11) Cl.** ..... **23-02**  
(52) **U.S. Cl.**  
USPC ..... **D23/308**

(58) **Field of Classification Search**  
USPC ..... D23/284, 286, 287, 290, 303, 308  
CPC . A47K 1/02; A47L 17/02; A47L 19/02; E03C  
1/14; E03C 1/18; E03C 1/182; E03C  
1/186

See application file for complete search history.

(56) **References Cited**

**U.S. PATENT DOCUMENTS**

D346,014 S \* 4/1994 Berge ..... D23/284  
D464,123 S 10/2002 Paredes  
D464,125 S 10/2002 Bayer  
D464,126 S 10/2002 Bayer  
D478,970 S \* 8/2003 Ziemann ..... D23/290

**OTHER PUBLICATIONS**

U.S. Appl. No. 29/514,952, filed Jan. 19, 2015, Lilly.  
U.S. Appl. No. 29/521,960, filed Mar. 26, 2015, Eilmus.

\* cited by examiner

*Primary Examiner* — Robert A Delehanty

(74) *Attorney, Agent, or Firm* — Foley & Lardner LLP

(57) **CLAIM**

We claim the ornamental design for a sink, as shown and described.

**DESCRIPTION**

FIG. 1 is a top, front, left perspective view of an embodiment of the claimed design;

FIG. 2 is a top plan view thereof;

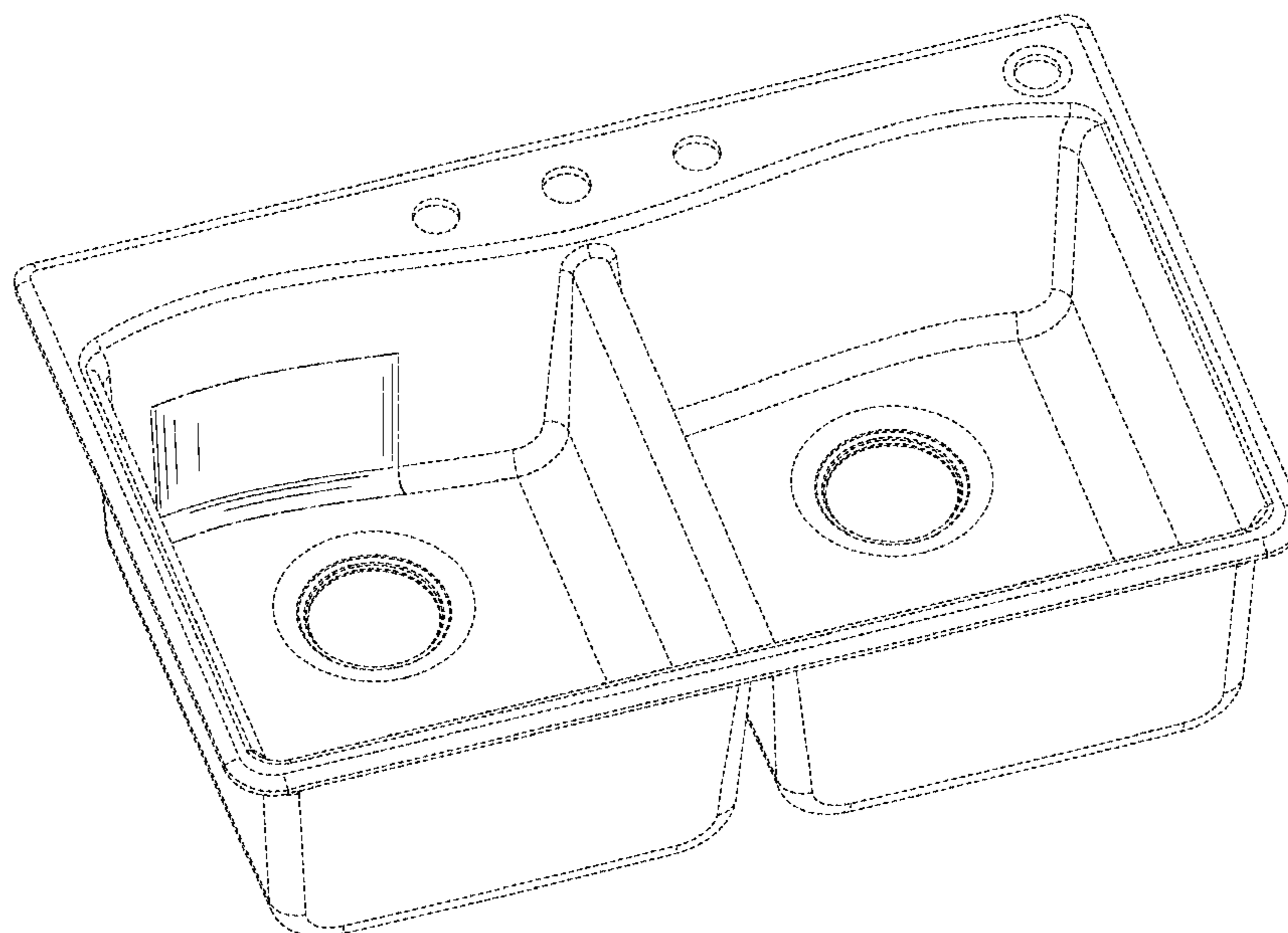
FIG. 3 is a bottom plan view thereof;

FIG. 4 is a front elevation view thereof; and,

FIG. 5 is a side elevation view thereof.

The ornamental design which is claimed is shown in solid lines in the drawings. The broken lines in the drawings form no part of the claimed design. Broken lines formed by equal length dashes show unclaimed subject matter. Broken lines formed of unequal length dashes (i.e., dash-dot) define bounds of the claimed design.

**1 Claim, 5 Drawing Sheets**



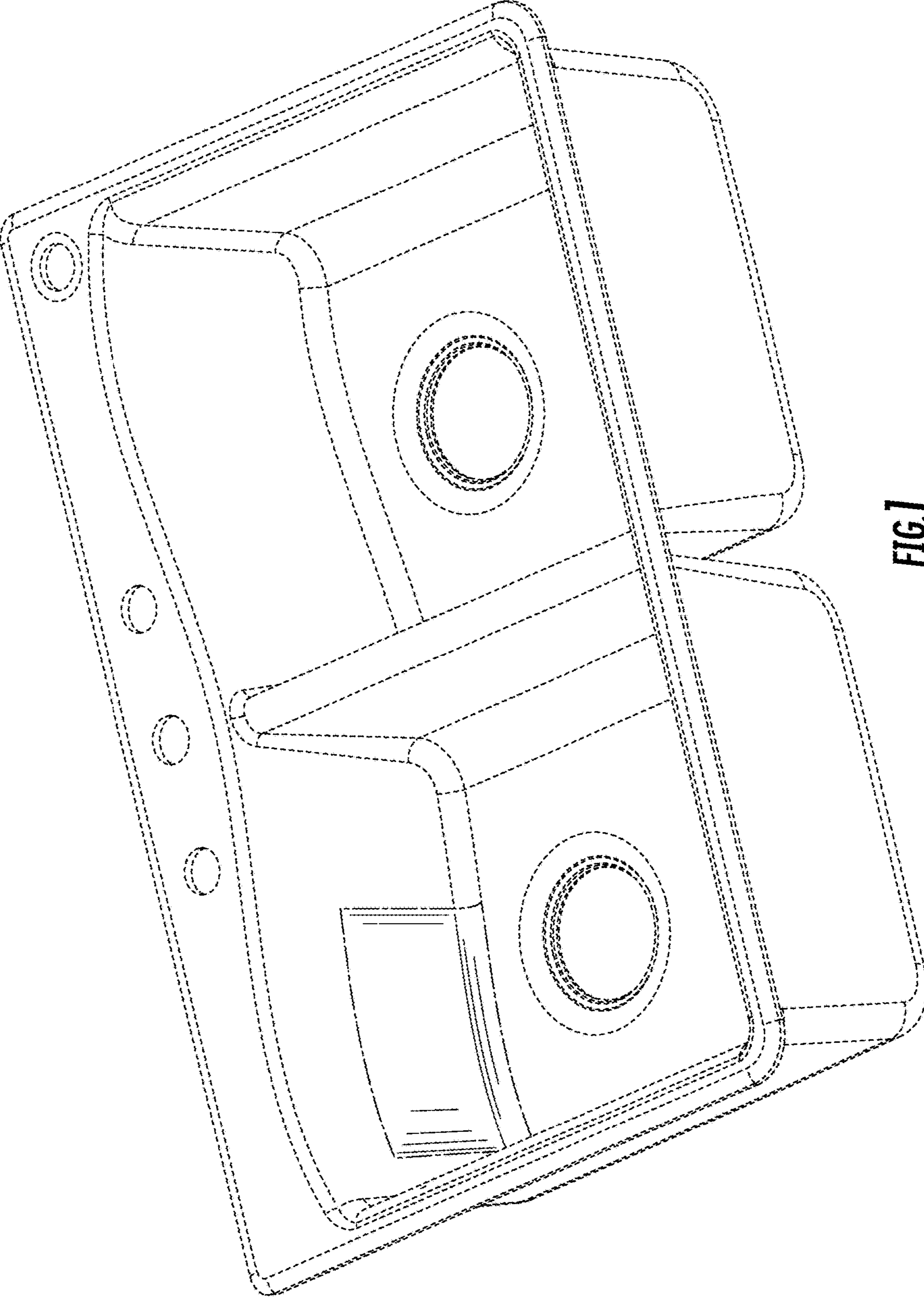


FIG. 1

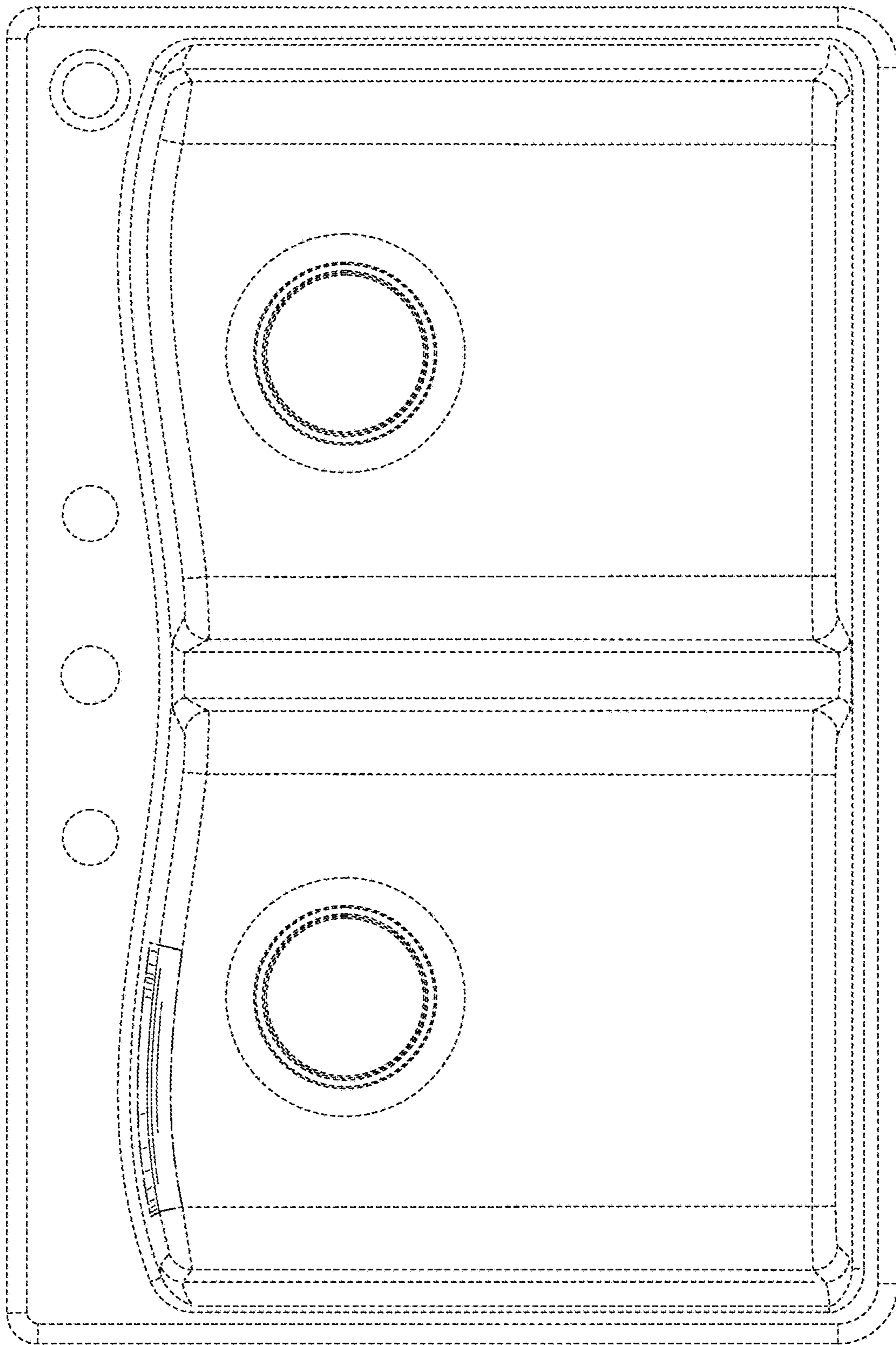


FIG. 2

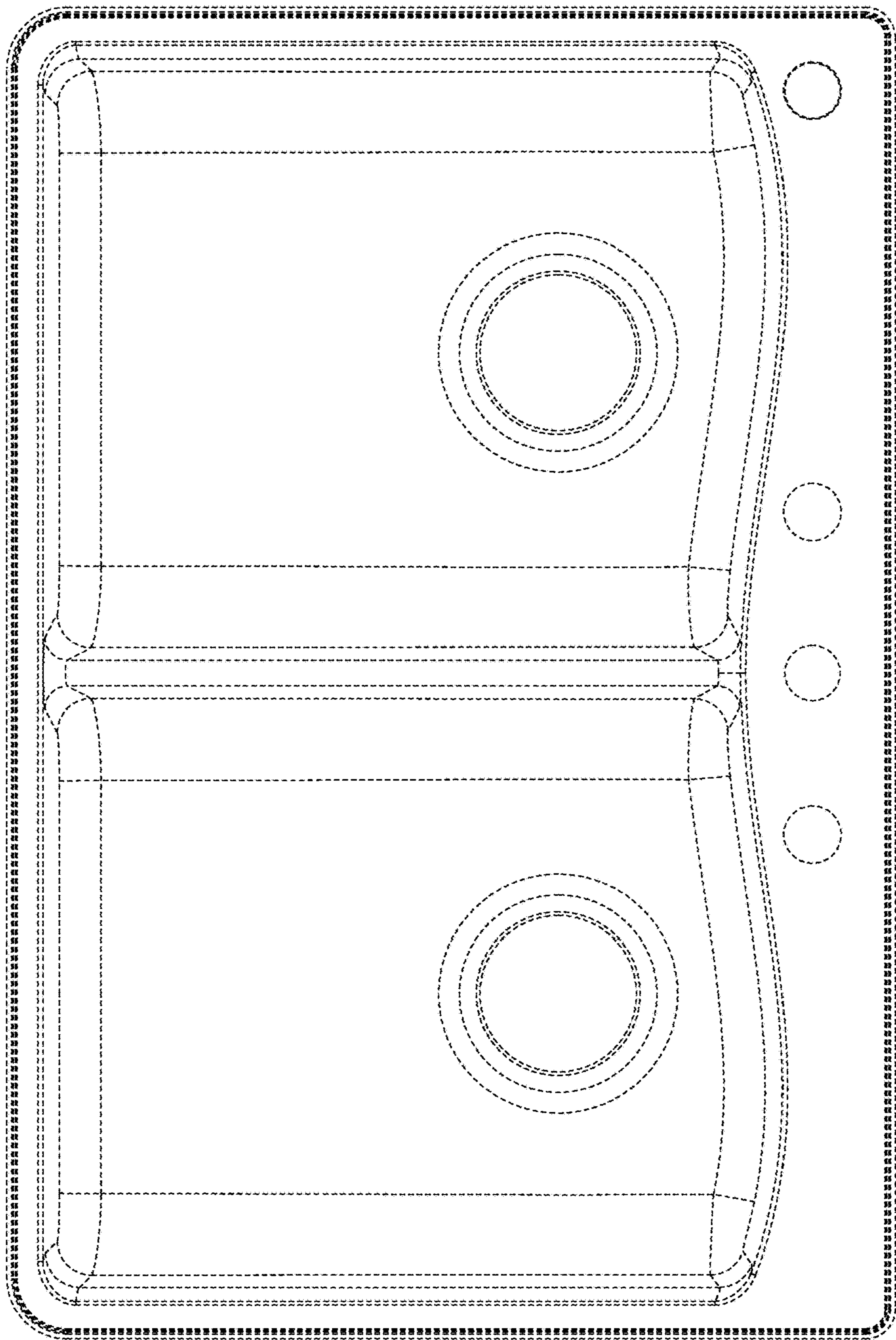
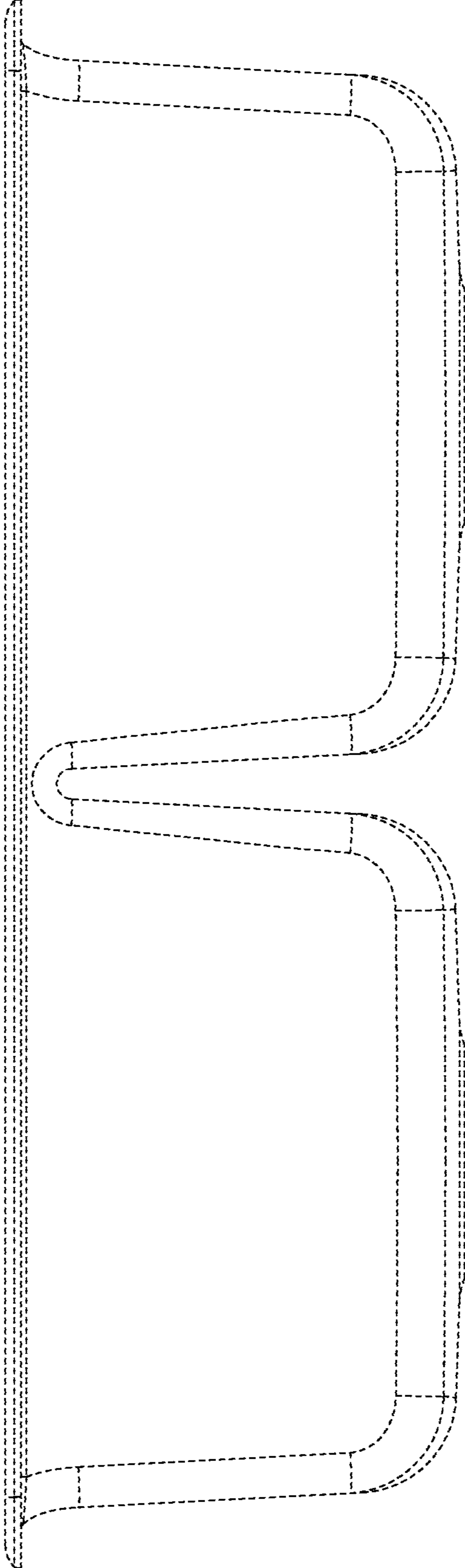
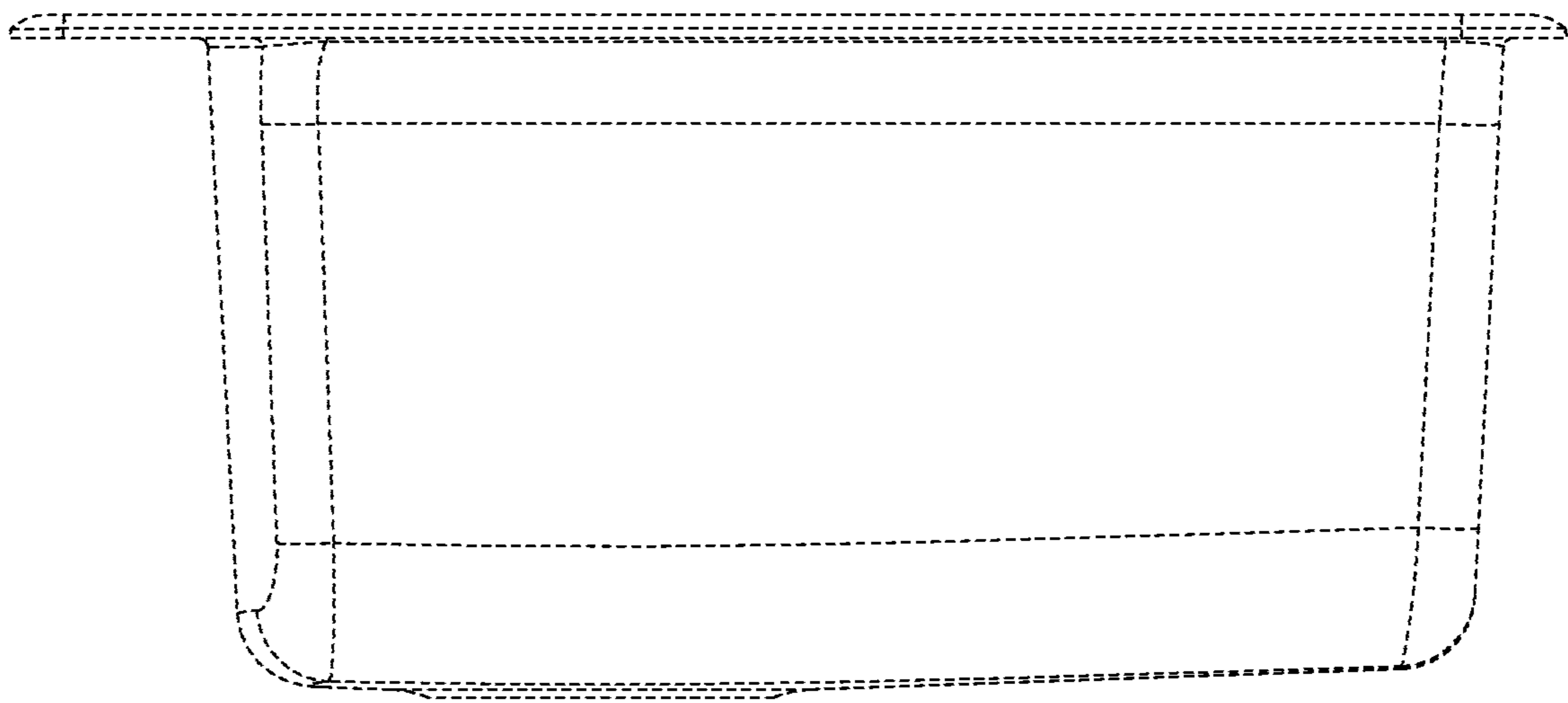


FIG. 3



**FIG. 4**



**FIG. 5**