



US00D838351S

(12) **United States Design Patent**
Yoshihara

(10) **Patent No.:** **US D838,351 S**

(45) **Date of Patent:** **** Jan. 15, 2019**

(54) **WASHBASIN**

OTHER PUBLICATIONS

(71) Applicant: **LIXIL Corporation**, Tokyo (JP)

Notice of Reasons for Rejection issued to JP Design Application No. 2016-026435, dated Jun. 6, 2017, with English language translation, 4 pages.

(72) Inventor: **Shinichiro Yoshihara**, Tokyo (JP)

* cited by examiner

(73) Assignee: **LIXIL CORPORATION**, Tokyo (JP)

(**) Term: **15 Years**

Primary Examiner — Robert A Delehanty

(21) Appl. No.: **29/605,885**

(74) *Attorney, Agent, or Firm* — Muncy, Geissler, Olds & Lowe, P.C.

(22) Filed: **May 31, 2017**

(30) **Foreign Application Priority Data**

(57) **CLAIM**

Dec. 6, 2016 (JP) 2016-026435

The ornamental design for a washbasin, as shown and described.

(51) **LOC (11) Cl.** **23-02**

(52) **U.S. Cl.**
USPC **D23/284**

(58) **Field of Classification Search**
USPC D23/284, 293.1, 303, 308
CPC E03C 1/18
See application file for complete search history.

DESCRIPTION

(56) **References Cited**

U.S. PATENT DOCUMENTS

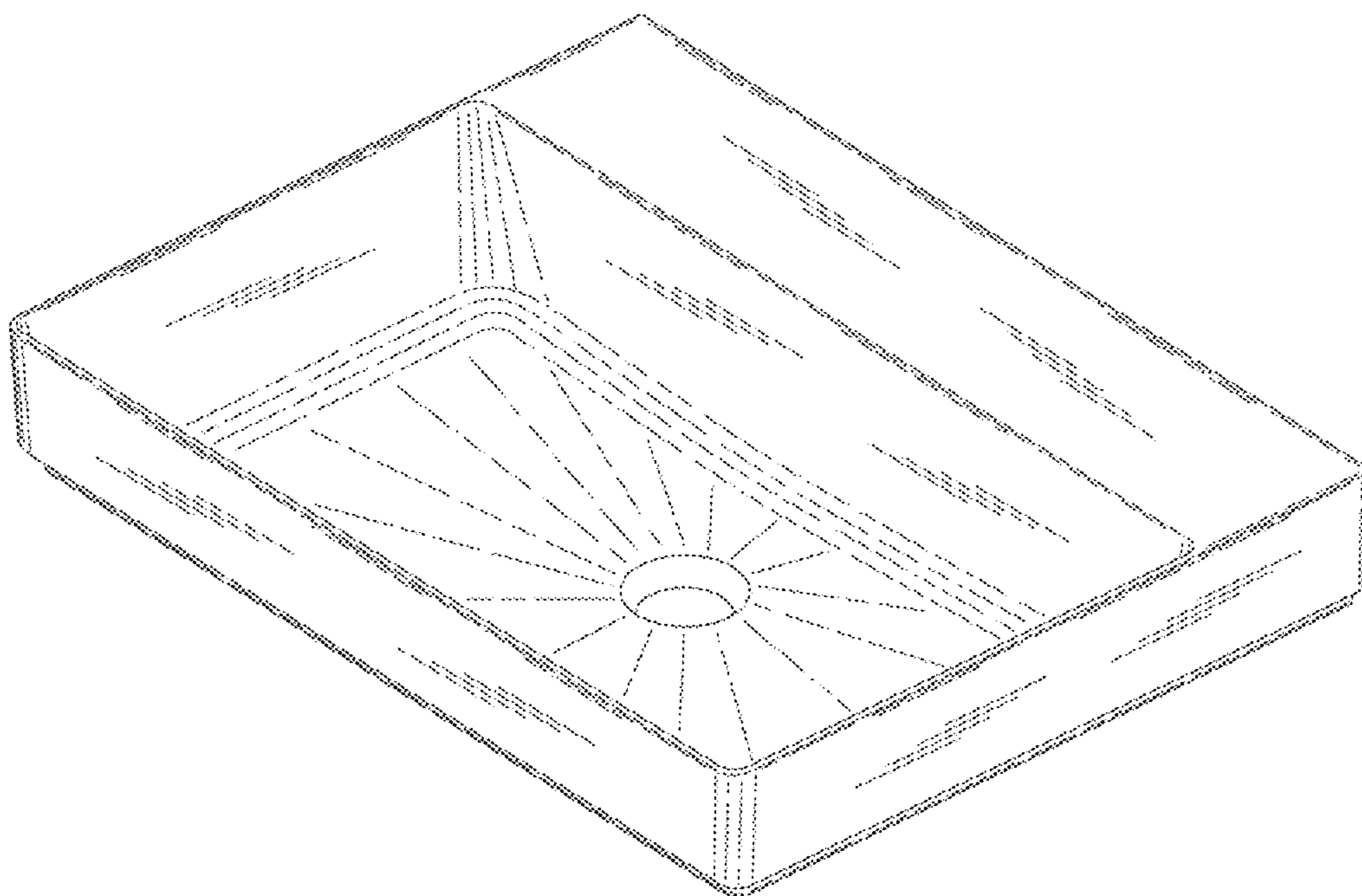
D473,293 S * 4/2003 Piatt D23/293.1
D659,811 S * 5/2012 Licini D23/293.1
D697,596 S * 1/2014 Spangler D23/293.1
D791,289 S * 7/2017 Danelon D23/293.1

FIG. 1 is a top, front perspective view of a washbasin showing my new design;
FIG. 2 is a front elevational view thereof;
FIG. 3 is a rear elevational view thereof;
FIG. 4 is a right side view thereof;
FIG. 5 is a left side view thereof;
FIG. 6 is a top plan view thereof;
FIG. 7 is a bottom plan view thereof;
FIG. 8 is a cross-sectional view taken along line 8-8 of FIG. 6; and,
FIG. 9 is a cross-sectional view taken along line 9-9 of FIG. 6.

FOREIGN PATENT DOCUMENTS

EM 003481142-0069 11/2016

1 Claim, 9 Drawing Sheets



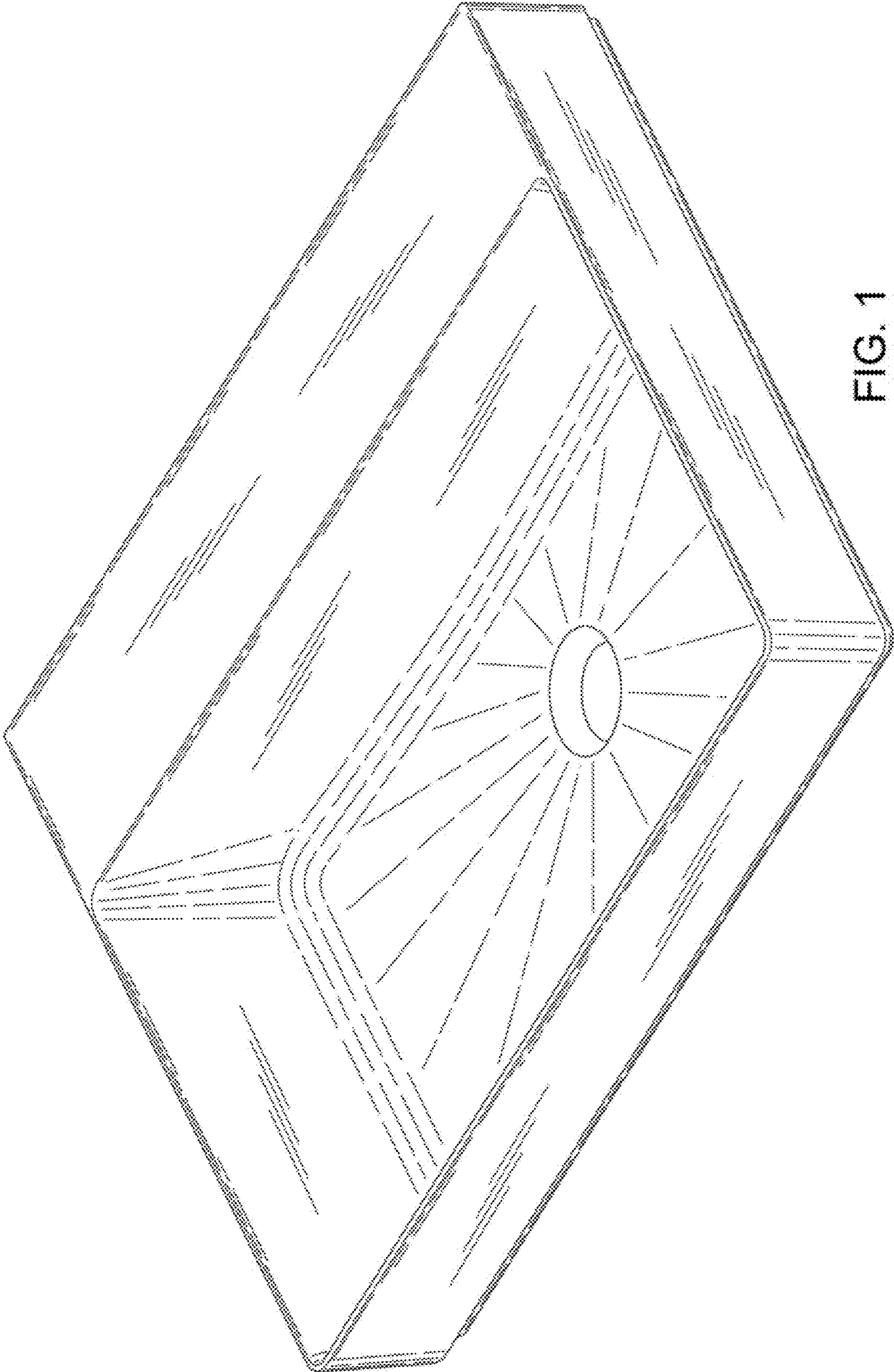


FIG. 1

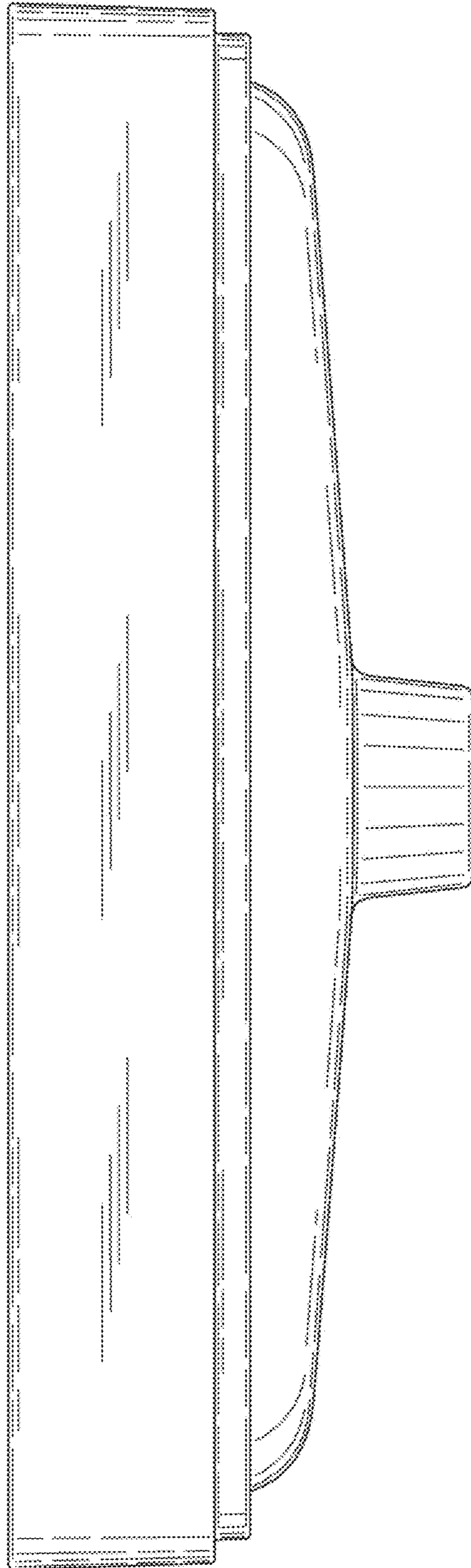


FIG. 2

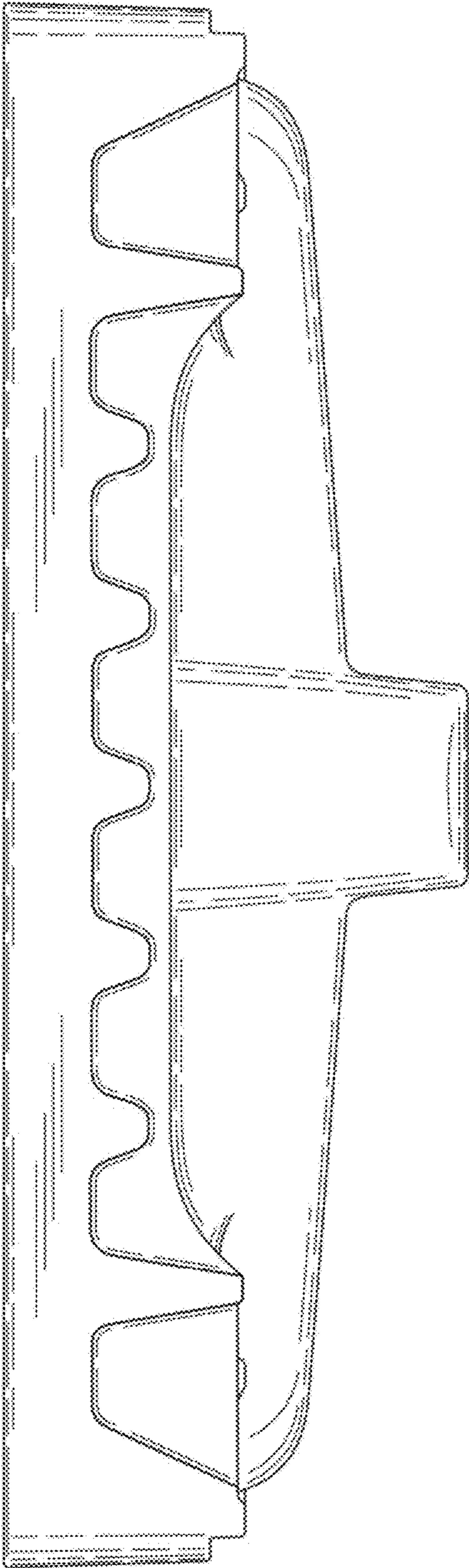


FIG. 3

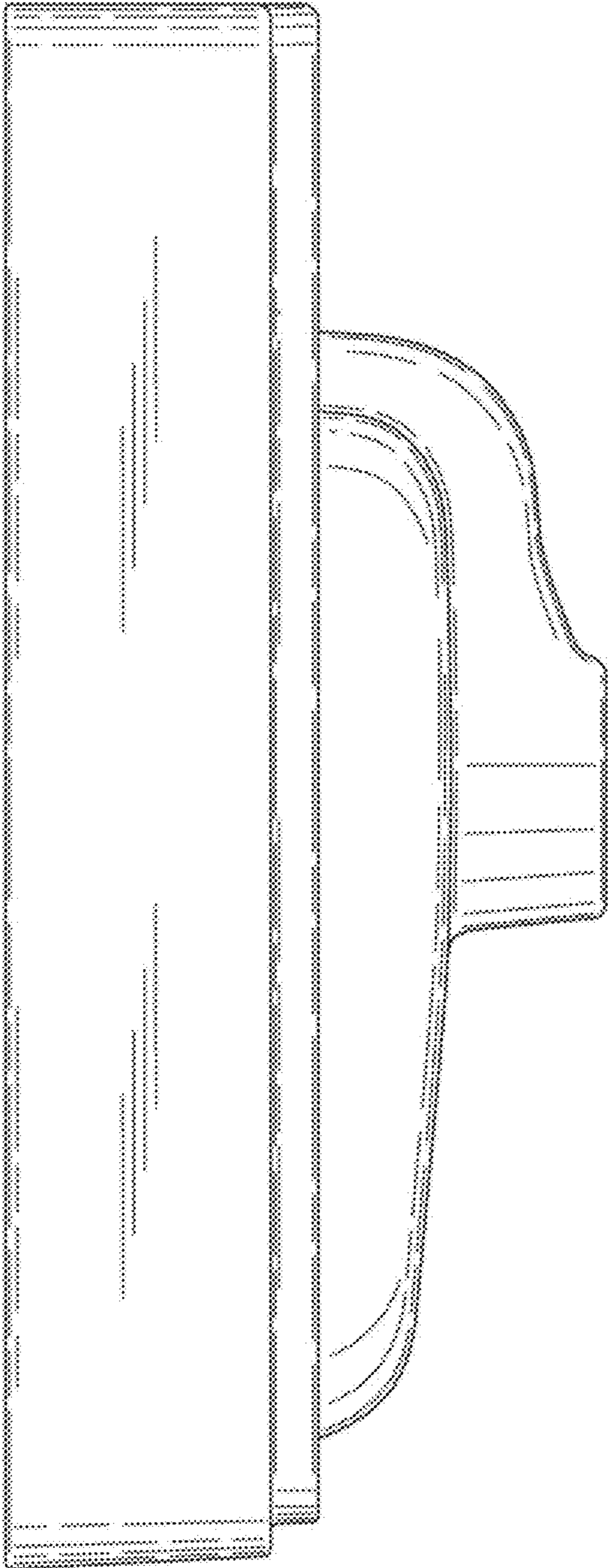


FIG. 4

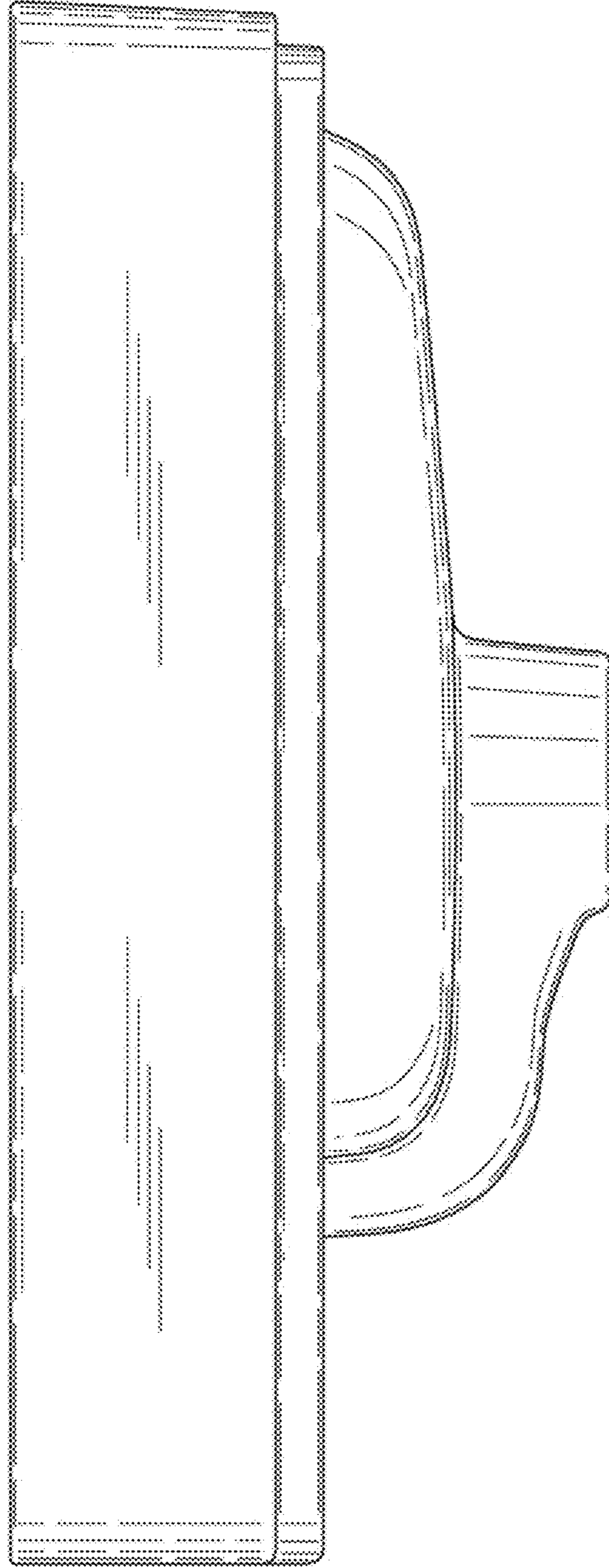


FIG. 5

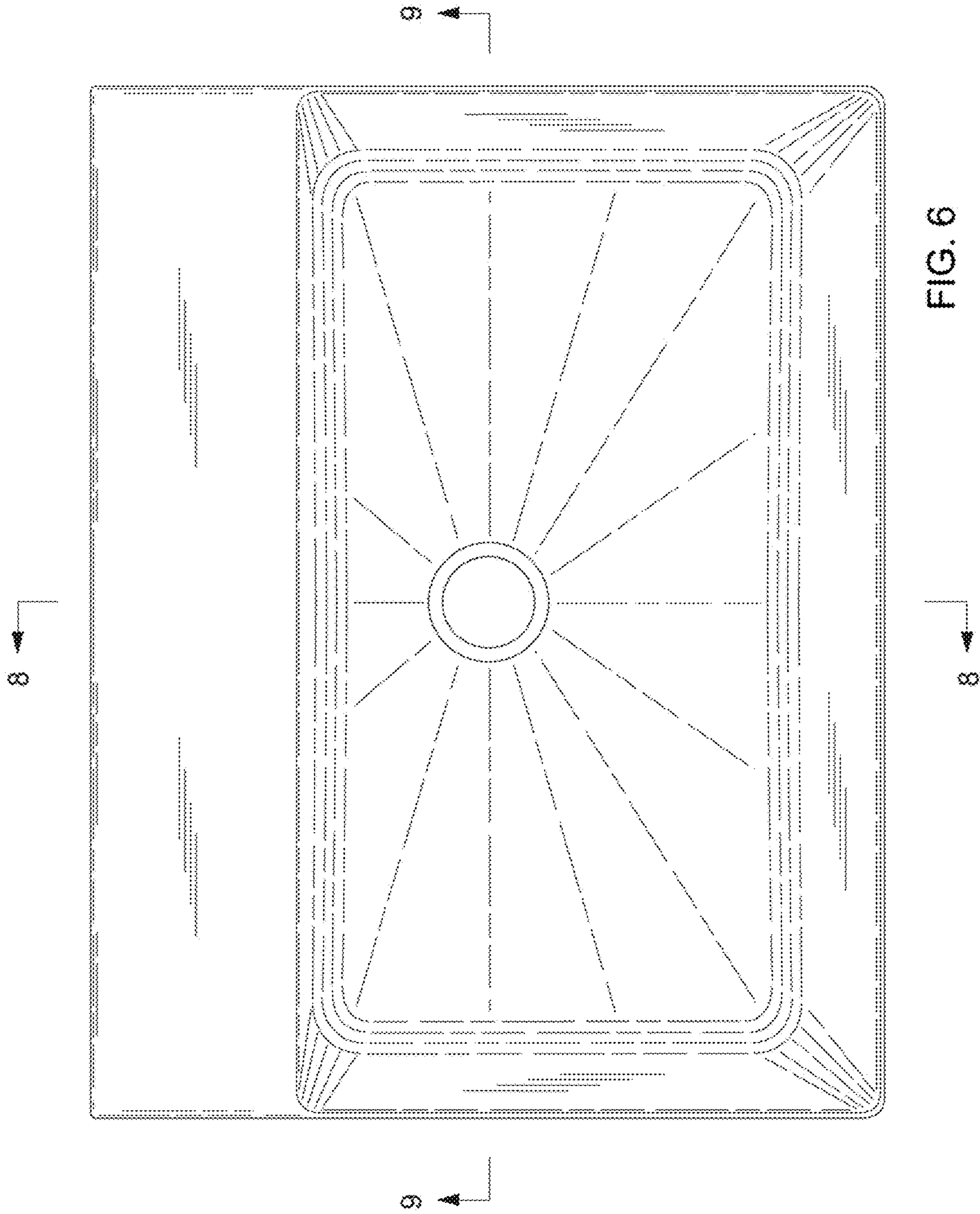


FIG. 6

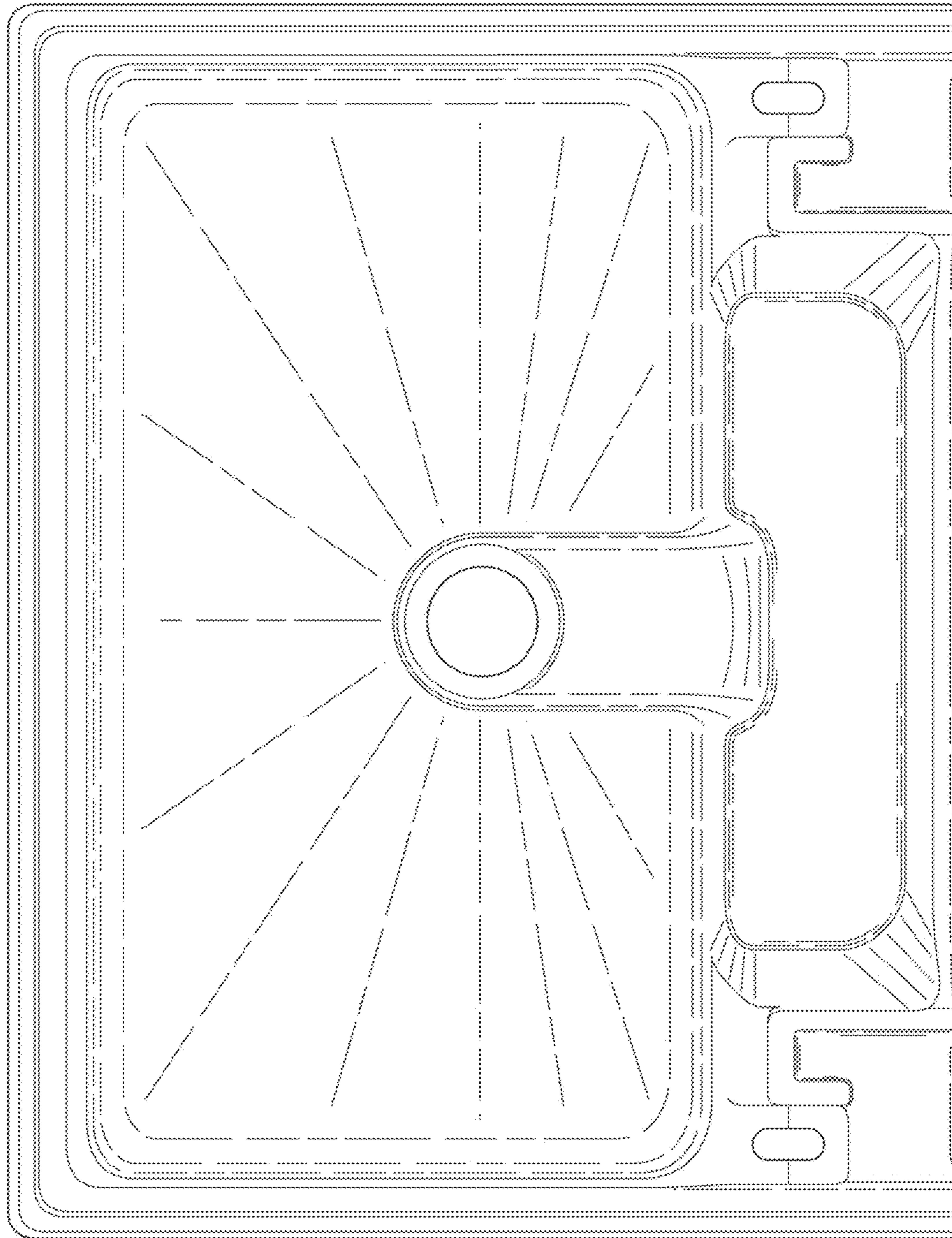


FIG. 7

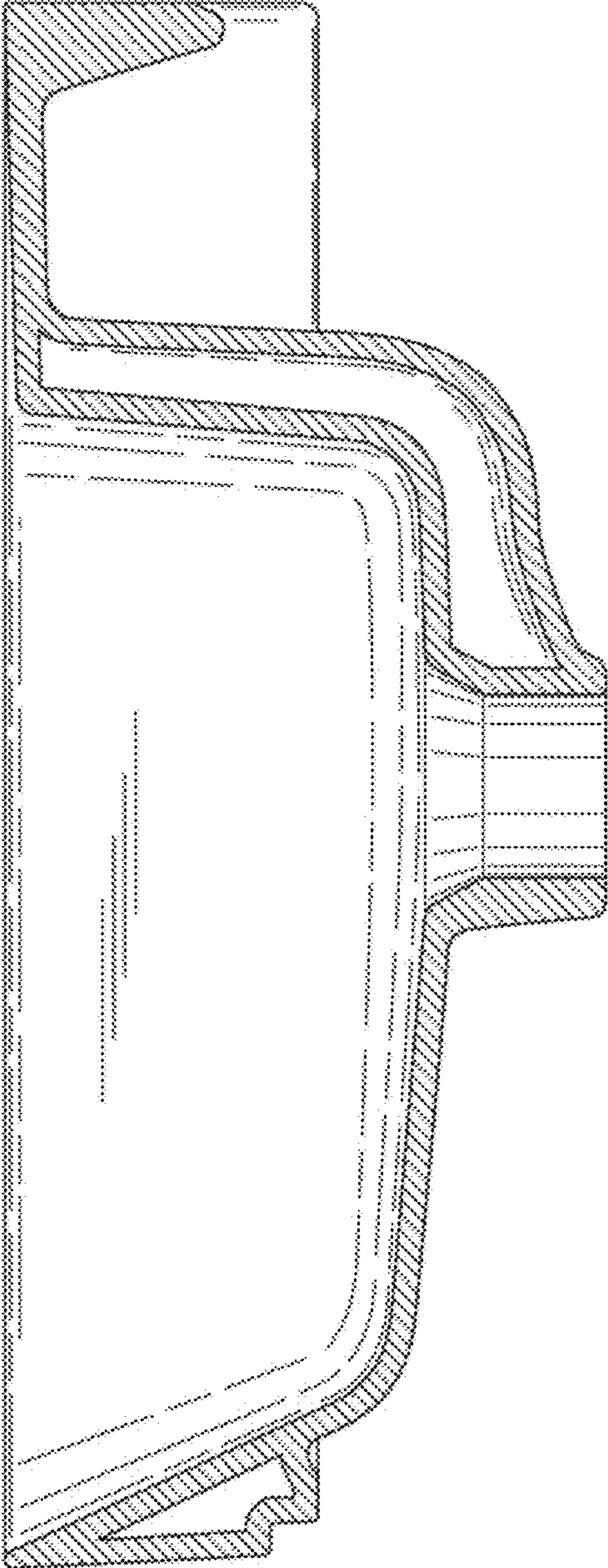


FIG. 8

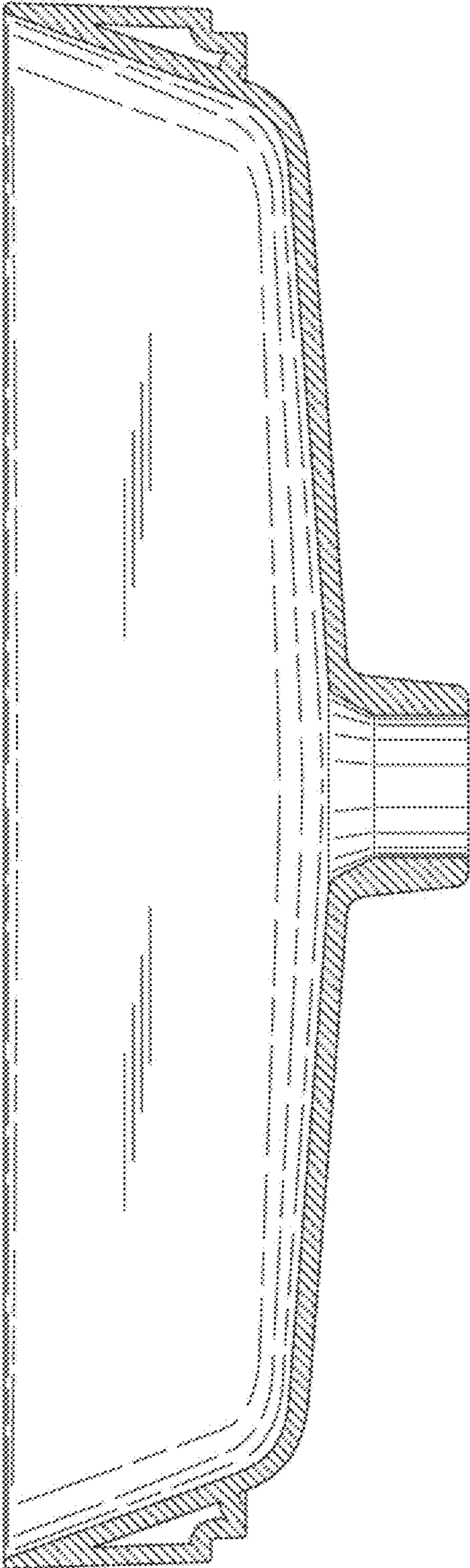


FIG. 9