



US00D838350S

(12) **United States Design Patent** (10) **Patent No.:** **US D838,350 S**
Downs et al. (45) **Date of Patent:** **** Jan. 15, 2019**

(54) **COUPLING**

(71) Applicant: **Colder Products Company**, St. Paul, MN (US)

(72) Inventors: **Dennis Daniel Downs**, Andover, MN (US); **Gary James Harris**, Maple Grove, MN (US); **Grant Armin Wilhelm**, Plymouth, MN (US)

(73) Assignee: **Colder Products Company**, St. Paul, MN (US)

(**) Term: **15 Years**

(21) Appl. No.: **29/603,021**

(22) Filed: **May 5, 2017**

Related U.S. Application Data

(63) Continuation of application No. 29/553,778, filed on Feb. 4, 2016, now Pat. No. Des. 788,890, which is a (Continued)

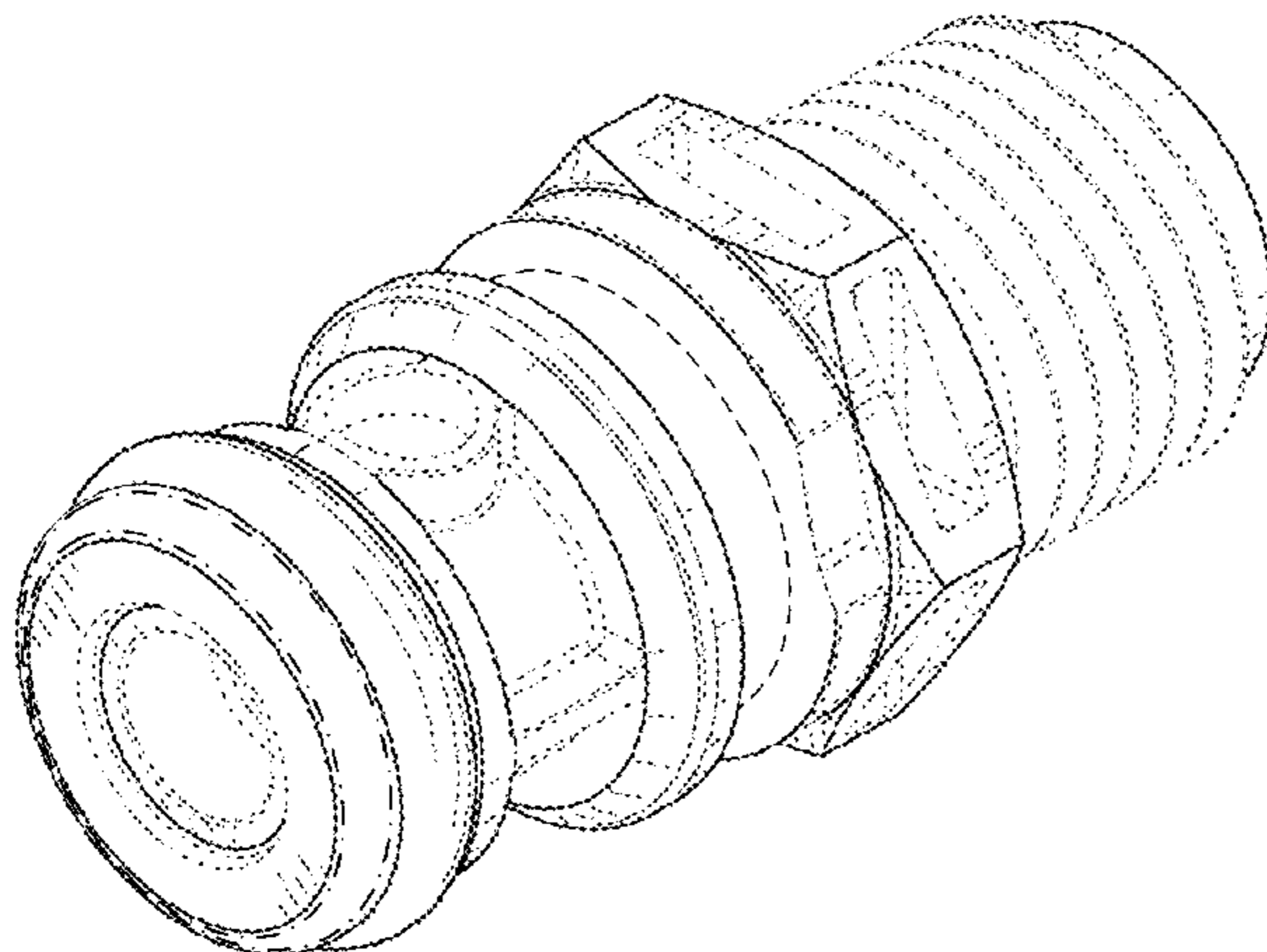
(51) **LOC (11) Cl.** **23-01**

(52) **U.S. Cl.**
USPC **D23/262**; D24/129

(58) **Field of Classification Search**
USPC D23/259–260, 262–266, 223, 233, 245; D8/382, 394–396; 403/290, 343, 344, 75, 403/78, 44, 46, 57, 300, 296, 314; 285/15, 180, 181, 197, 205, 206, 11, 12, 285/38, 86, 89, 90, 92, 242, 245, 247, 285/366, 368, 406, 410, 412, 415, 179, 285/270; 251/147, 148, 149.4, 149.6, 251/152, 155; 137/614.06, 798; D24/127, 129

CPC . F16L 21/02; F16L 21/06; F16L 55/18; F16L 15/22; F16L 23/00; F16L 21/022; F16L 37/113; F16L 37/133; F16L 37/138; F16L 37/252; F16L 41/007; F16L 27/06;

(Continued)



(56) **References Cited**

U.S. PATENT DOCUMENTS

592,899 A 11/1897 Wilson
4,070,003 A 1/1978 Shames et al.
(Continued)

FOREIGN PATENT DOCUMENTS

DE 1298378 6/1969
DE 20011308 12/2000
(Continued)

OTHER PUBLICATIONS

International Search Report and Written Opinion in Application No. PCT/US2012/059958, dated Jan. 18, 2013, 11 pages.

(Continued)

Primary Examiner — Eric L Goodman

Assistant Examiner — Amy C Wierenga

(74) *Attorney, Agent, or Firm* — Fish & Richardson P.C.

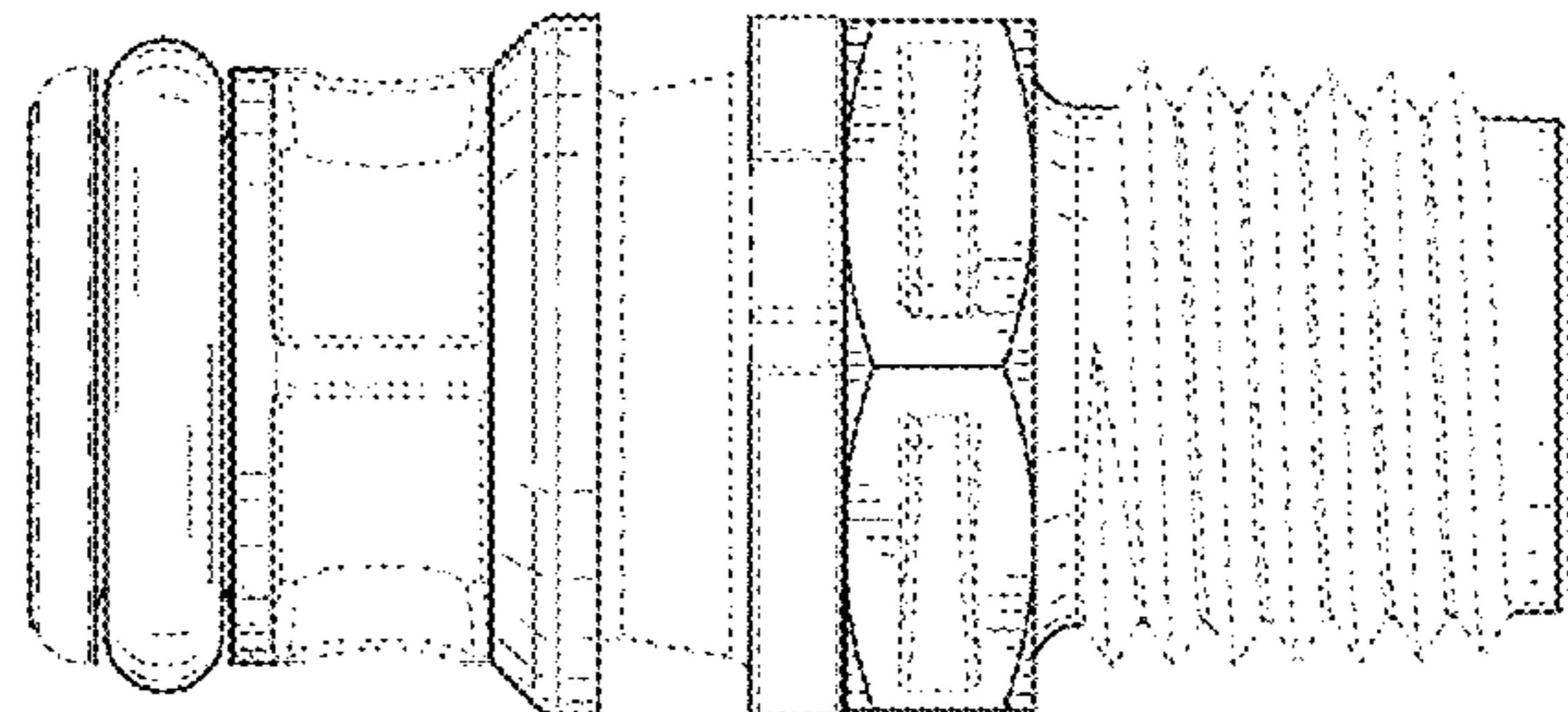
(57) **CLAIM**

The ornamental design for a coupling, substantially as shown and described.

DESCRIPTION

FIG. 1 is a perspective view of the coupling.
FIG. 2 is a front view of the coupling of FIG. 1.
FIG. 3 is a back view of the coupling of FIG. 1.
FIG. 4 is a left side view of the coupling of FIG. 1.
FIG. 5 is a right side view of the coupling of FIG. 1.
FIG. 6 is a top view of the coupling of FIG. 1; and,
FIG. 7 is a bottom view of the coupling of FIG. 1.
The evenly dashed broken lines illustrate portions of the coupling that form no part of the claim. The dash dot broken lines indicate boundaries of the claim and form no part thereof.

1 Claim, 3 Drawing Sheets



Related U.S. Application Data

continuation of application No. 13/650,914, filed on Oct. 12, 2012.

(58) **Field of Classification Search**

CPC F16L 37/0841; F16L 37/08; F16L 37/34; F16L 37/35; F16J 15/22; F16J 1/005; B65D 45/34; E03C 1/26; E03C 1/28; E03C 1/262

See application file for complete search history.

(56) **References Cited**

U.S. PATENT DOCUMENTS

4,469,136	A	9/1984	Watkins	
4,541,457	A	9/1985	Blenkush	
D313,067	S *	12/1990	Kotake	D23/262
D315,400	S *	3/1991	Medvick	D23/262
D357,307	S *	4/1995	Ramacier, Jr.	D23/262
5,765,612	A	6/1998	Morin	
5,845,943	A	12/1998	Ramacier et al.	
6,024,124	A	2/2000	Braun et al.	
D463,537	S *	9/2002	Kozu	D23/233
6,758,457	B2	7/2004	Nicolino et al.	
6,837,262	B2	1/2005	Cortez et al.	
6,895,952	B1	5/2005	Bachelder	
D521,614	S	5/2006	Kitagawa	
7,469,472	B2	12/2008	deCler et al.	
7,571,937	B2 *	8/2009	Patel	F16L 19/005 285/386
D627,039	S *	11/2010	Yu	D23/260
D629,891	S	12/2010	Virr et al.	
D638,933	S	5/2011	Hill et al.	
D639,398	S	6/2011	Wilhelm	
D642,244	S	7/2011	Wilhelm	
D654,573	S	2/2012	Lombardi et al.	
8,256,743	B2	9/2012	Tiberghien et al.	

8,356,794	B1 *	1/2013	Liu	F16L 37/42 251/149.6
D679,784	S	4/2013	Meyer	
D687,528	S	8/2013	Meyer	
8,764,068	B2	7/2014	Frick et al.	
8,807,601	B2 *	8/2014	Anderson	F16L 5/06 285/139.2
D724,703	S	3/2015	Downs	
D742,508	S	11/2015	Row et al.	
D746,953	S *	1/2016	Gledhill	D23/259
D751,674	S *	3/2016	Gledhill	D23/259
D758,555	S *	6/2016	Van Dyke	D23/262
2003/0132631	A1	7/2003	Nagata et al.	
2004/0056481	A1 *	3/2004	Do	F16L 19/005 285/92
2004/0089301	A1	5/2004	Choi et al.	
2005/0001425	A1	1/2005	deCler et al.	
2005/0012330	A1	1/2005	Schmidt	
2007/0025811	A1	2/2007	Wilhelm	
2010/0019487	A1	1/2010	deCler et al.	
2010/0276922	A1	11/2010	Rehder et al.	
2013/0092271	A1	4/2013	Downs et al.	
2014/0060675	A1	3/2014	Wilhelm et al.	

FOREIGN PATENT DOCUMENTS

EP	0200561	11/1986
WO	WO 2008008392	1/2008

OTHER PUBLICATIONS

Colder Products Company, Catalog, "Cleaner, Faster, Safer, Smarter Colder, first in choice in couplings," Oct. 2007, 4 pages.
 Colder Products Company, Product Line Overview, "Quick Couplings and Fillings for Plastic Tubing," 2004, 5 pages.
 International Preliminary Report on Patentability in Application No. PCT/US2012/059958, dated Apr. 15, 2014, 7 pages.

* cited by examiner

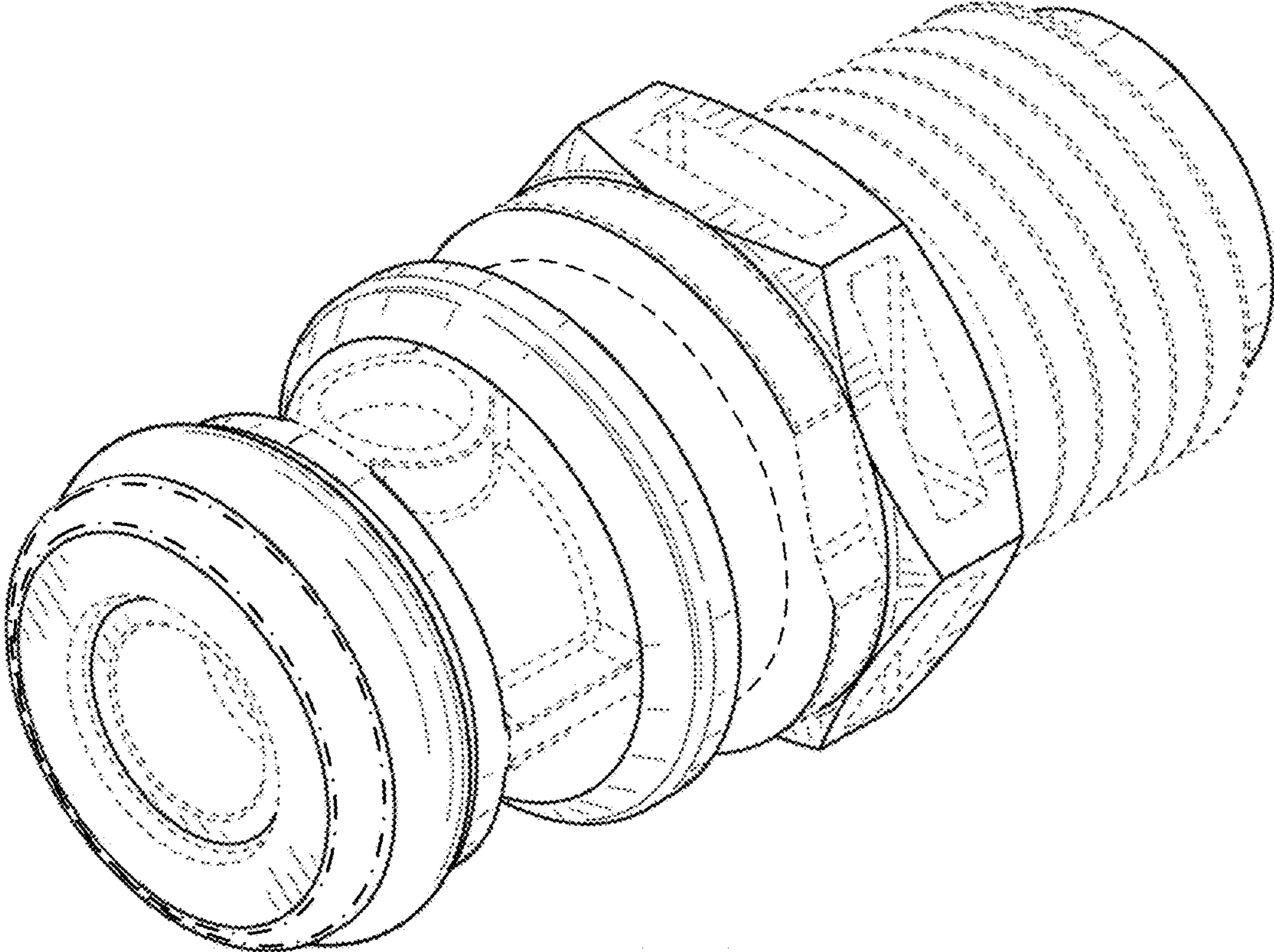


FIG. 1

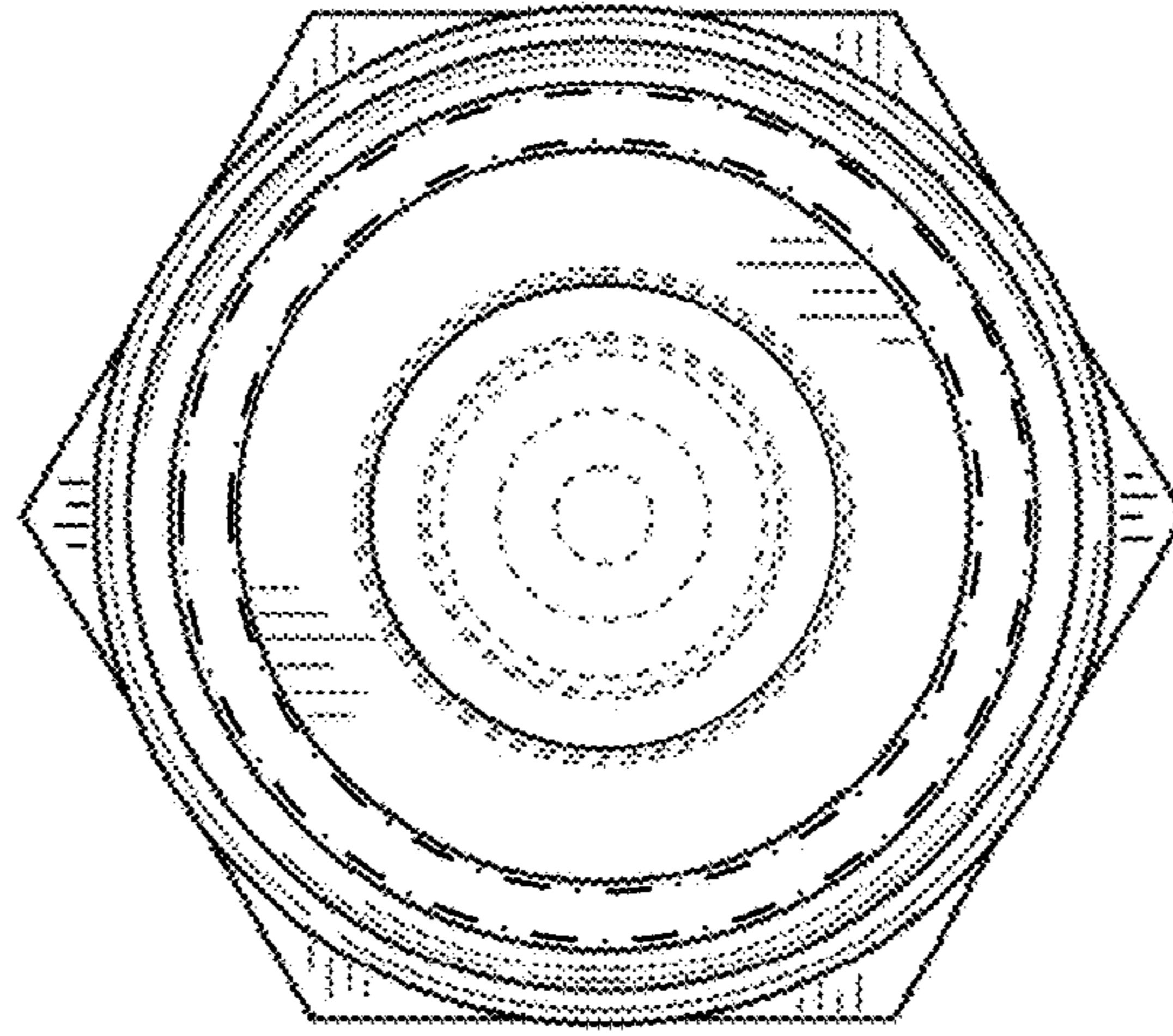


FIG. 2

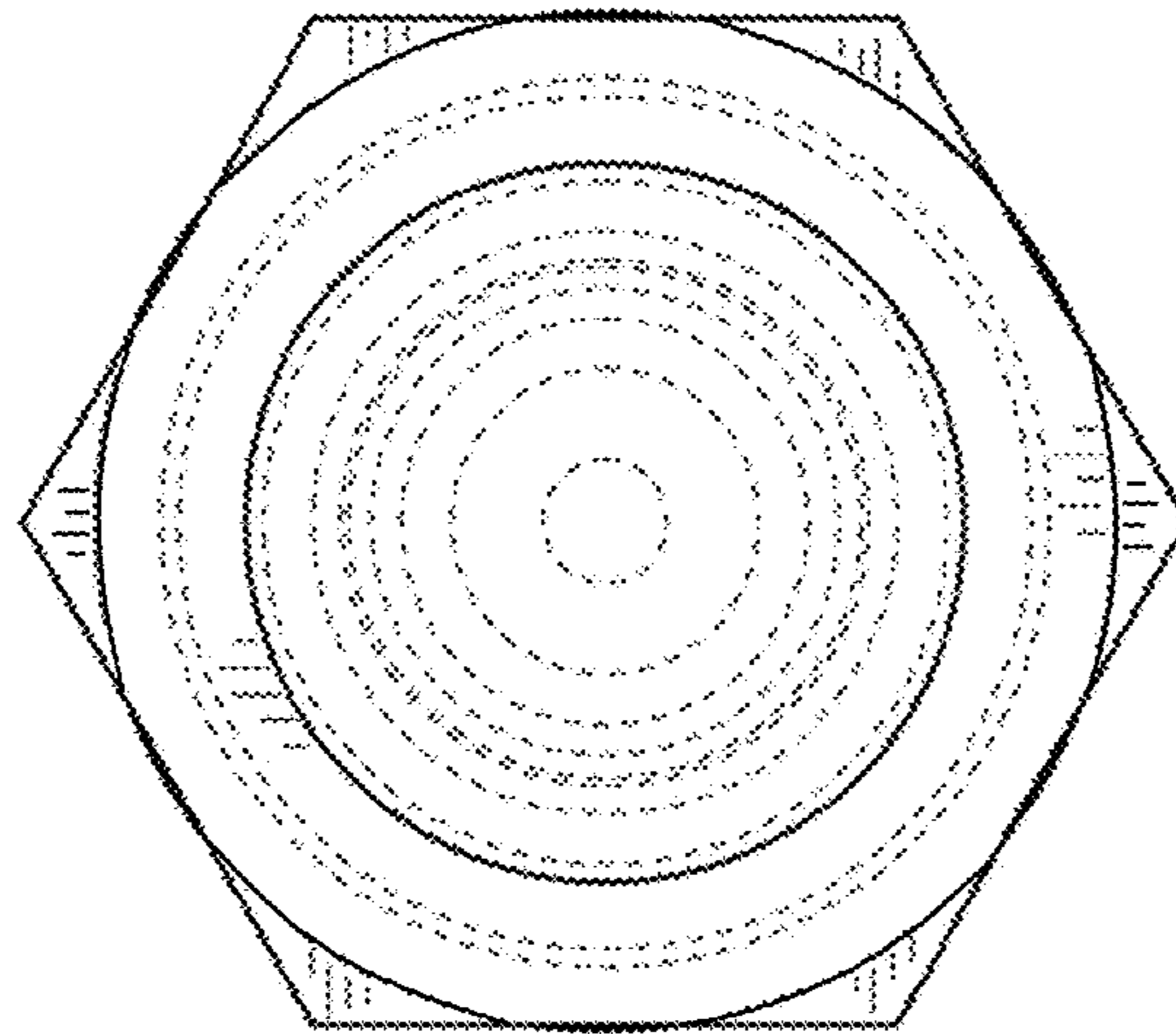


FIG. 3

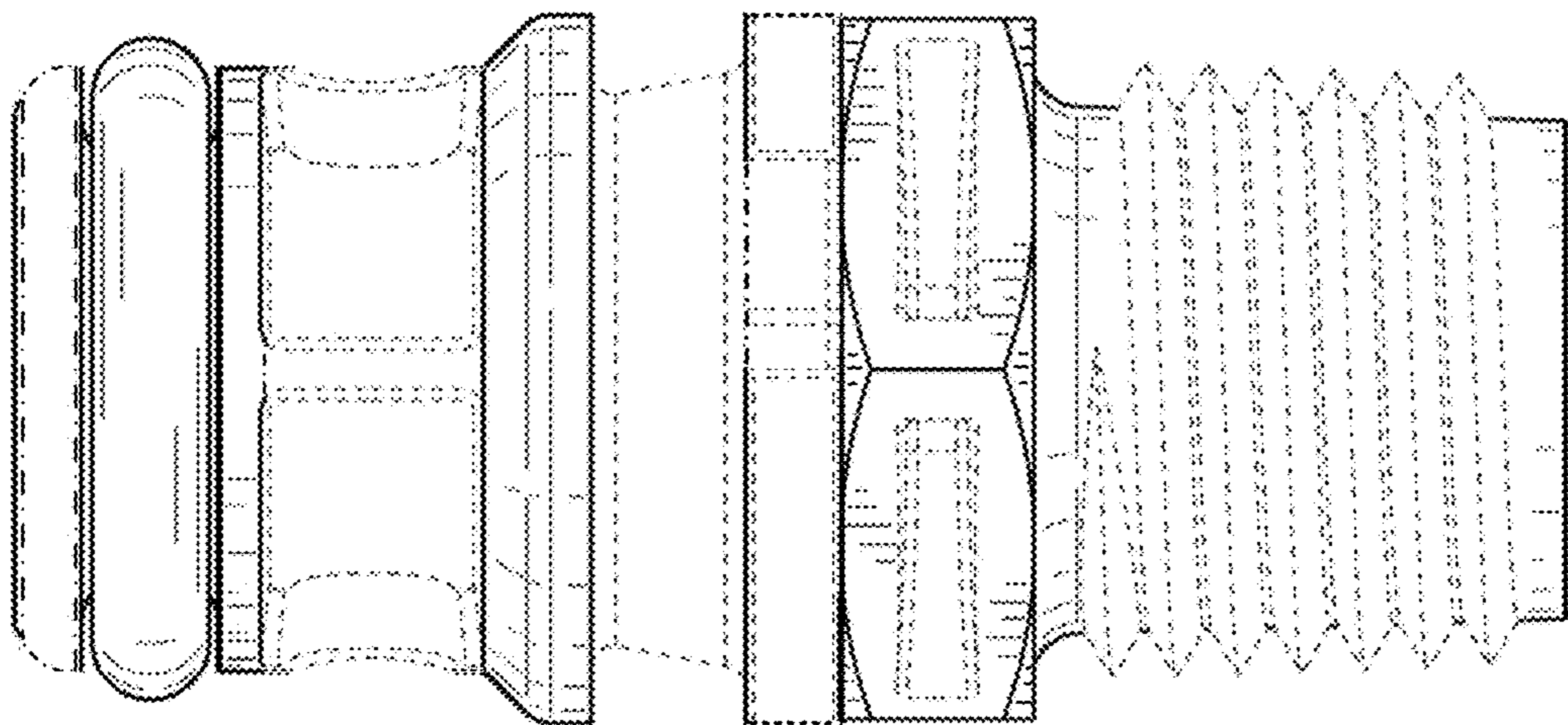


FIG. 4

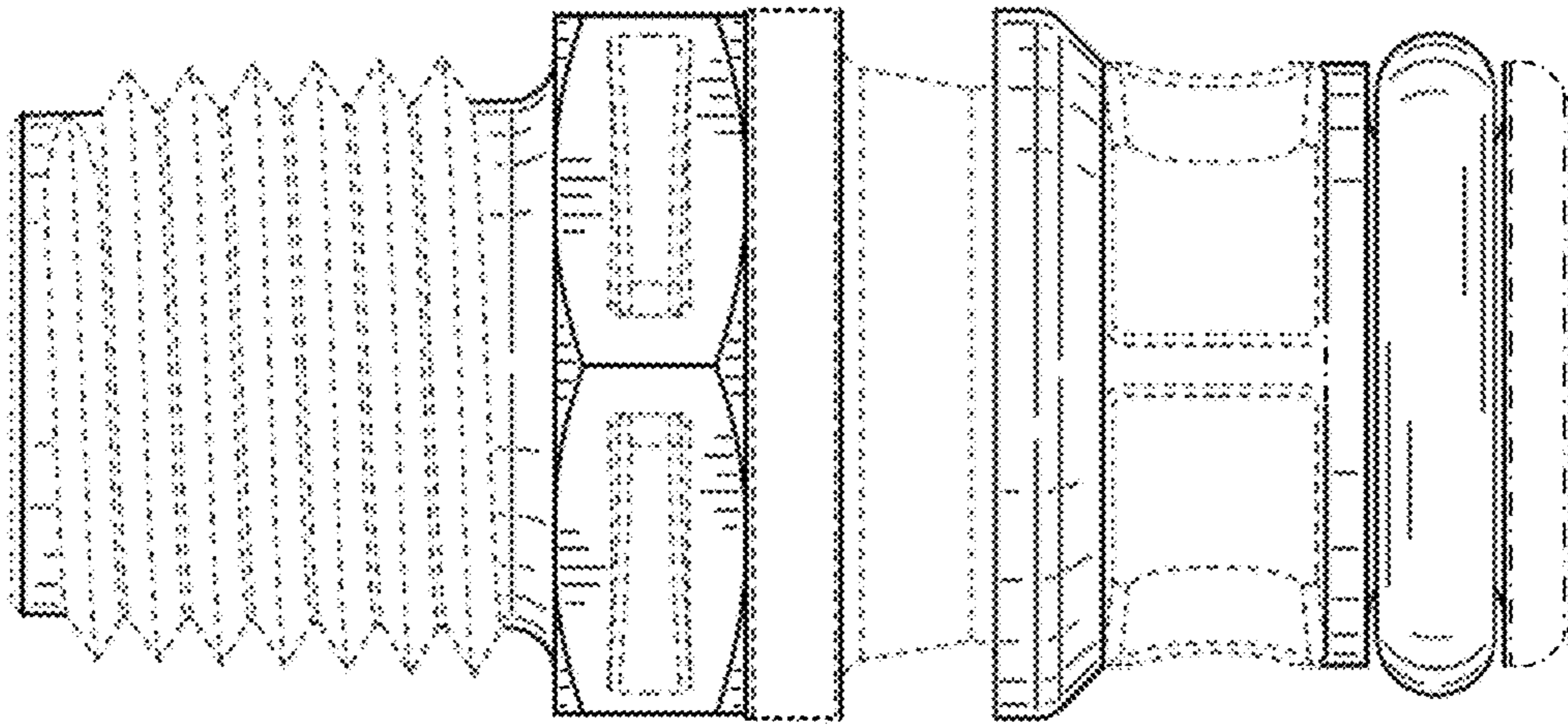


FIG. 5

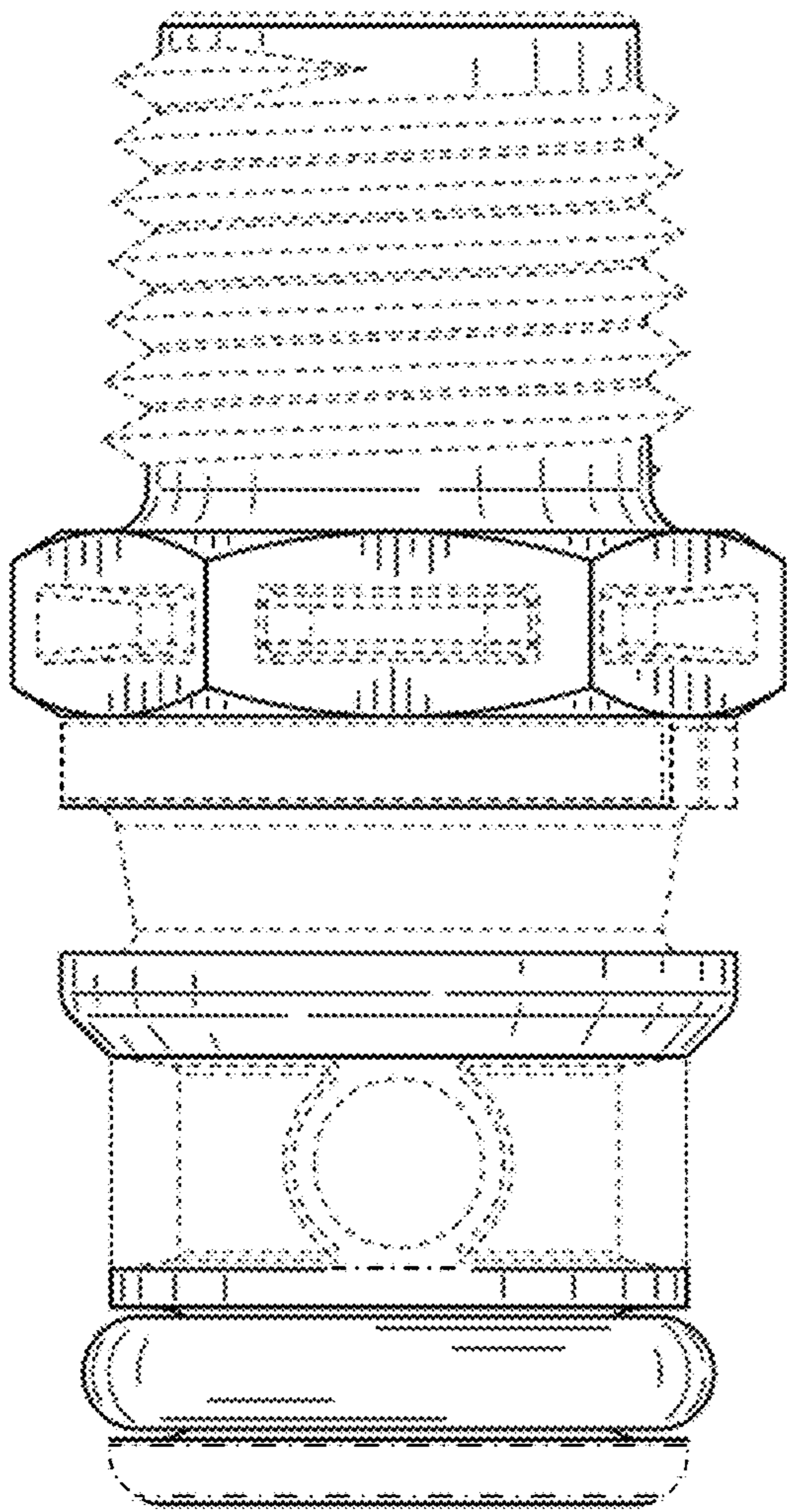


FIG. 6

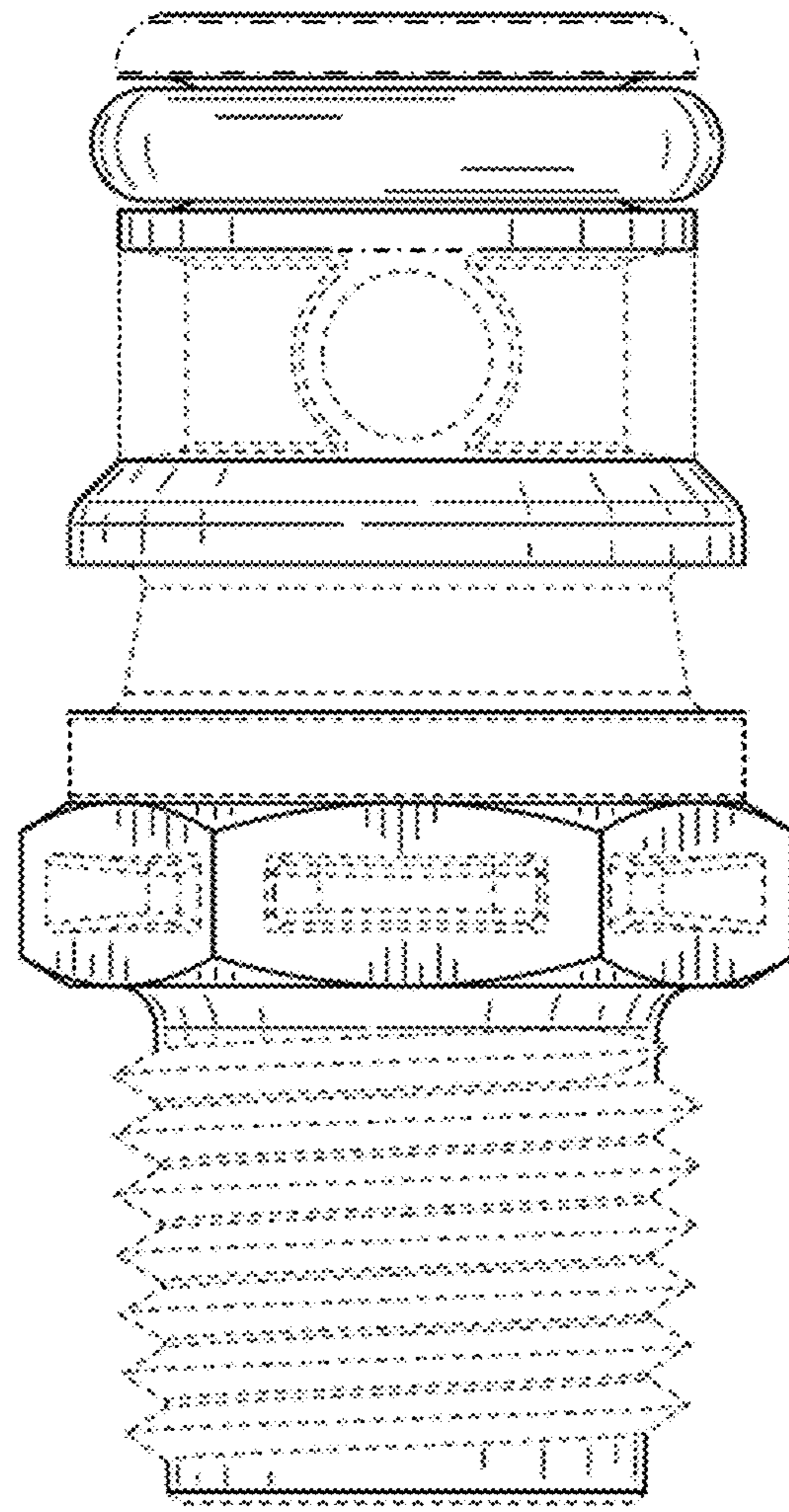


FIG. 7