



US00D838349S

(12) **United States Design Patent** (10) **Patent No.:** **US D838,349 S**
McKeone et al. (45) **Date of Patent:** **** Jan. 15, 2019**

(54) **FAUCET HANDLE**

(71) Applicant: **Kohler Co.**, Kohler, WI (US)

(72) Inventors: **William C. McKeone**, Sheboygan, WI (US); **Jill E. Hundley**, Sheboygan, WI (US)

(73) Assignee: **KOHLER CO.**, Kohler, WI (US)

(**) Term: **15 Years**

(21) Appl. No.: **29/661,772**

(22) Filed: **Aug. 30, 2018**

Related U.S. Application Data

(62) Division of application No. 29/577,787, filed on Sep. 15, 2016, now Pat. No. Des. 829,867.

(51) **LOC (11) Cl.** **23-01**

(52) **U.S. Cl.**
USPC **D23/253**

(58) **Field of Classification Search**
USPC D23/238–242, 249, 254, 255, 257, 253;
D8/350, 353
CPC Y10T 137/9464
See application file for complete search history.

(56) **References Cited**

U.S. PATENT DOCUMENTS

D117,171 S	10/1939	Fraser
D324,726 S	3/1992	Bonnell
D325,425 S	4/1992	Bengtson
D340,763 S	10/1993	Bonnell
D458,346 S	6/2002	Mullenmeister

D466,988 S	12/2002	Marshall
D482,758 S	11/2003	Bates
D492,009 S	6/2004	Egee
D524,918 S	7/2006	Barry
D530,790 S	10/2006	Kohler, Jr. et al.
D534,251 S	12/2006	Barry
D588,235 S	3/2009	Rexach
D618,311 S	6/2010	Gao
D681,174 S	4/2013	Liao
D712,521 S	9/2014	Smith
D810,886 S	2/2018	Schoenherr
D822,177 S *	7/2018	Slothower D23/250

* cited by examiner

Primary Examiner — Robert A Delehanty

(74) *Attorney, Agent, or Firm* — Foley & Lardner LLP

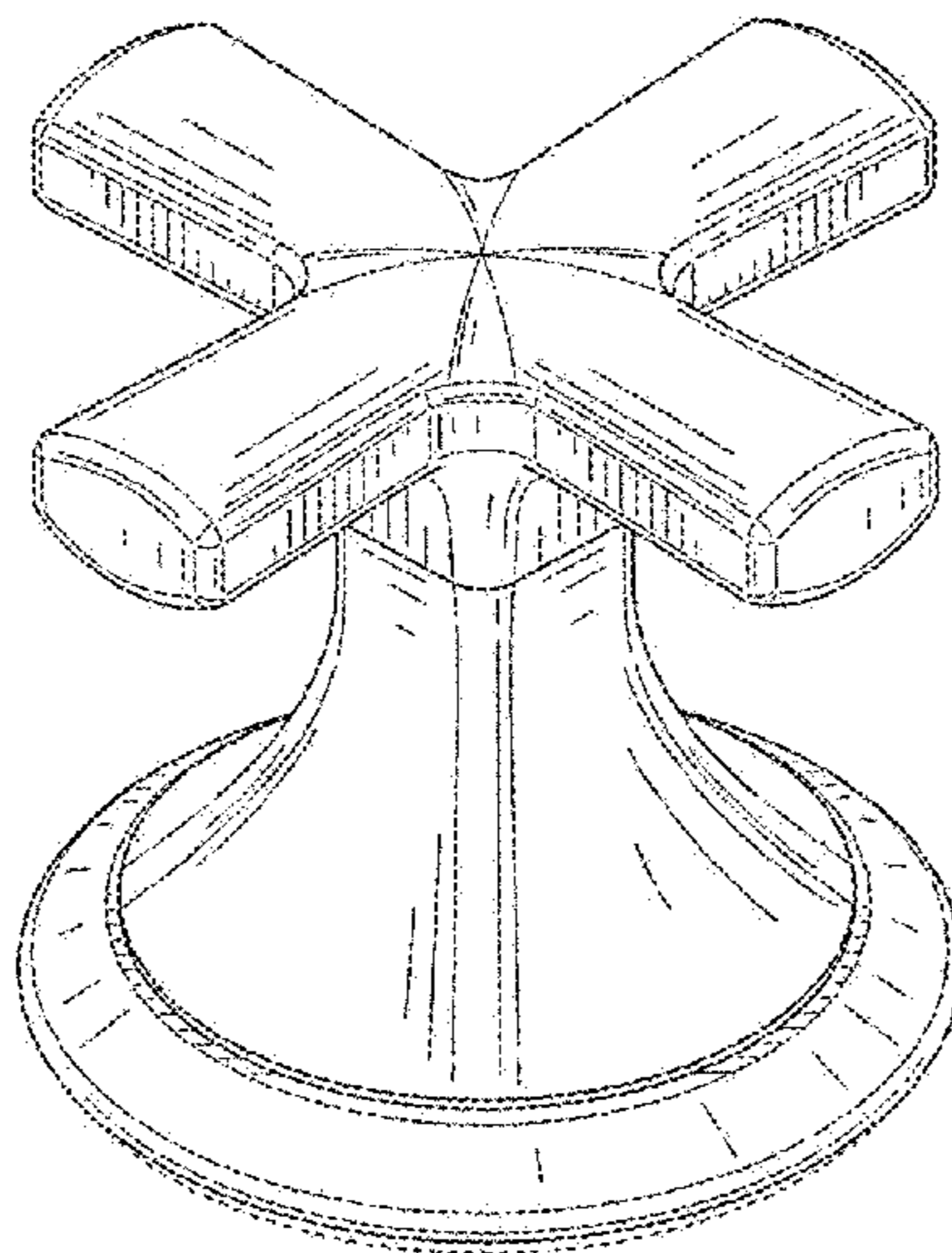
(57) **CLAIM**

We claim the ornamental design for a faucet handle, as shown and described.

DESCRIPTION

FIG. 1 is a perspective view of an embodiment of the claimed design;
FIG. 2 is a front view of the embodiment of FIG. 1;
FIG. 3 is a rear view of the embodiment of FIG. 1;
FIG. 4 is a side view of the embodiment of FIG. 1;
FIG. 5 is another side view of the embodiment of FIG. 1;
FIG. 6 is a top view of the embodiment of FIG. 1; and,
FIG. 7 is a bottom view of the embodiment of FIG. 1.
The ornamental design which is claimed is shown in solid lines in the drawings. The broken lines in the drawings form no part of the claimed design. Broken lines formed by equal length dashes show unclaimed subject matter.

1 Claim, 4 Drawing Sheets



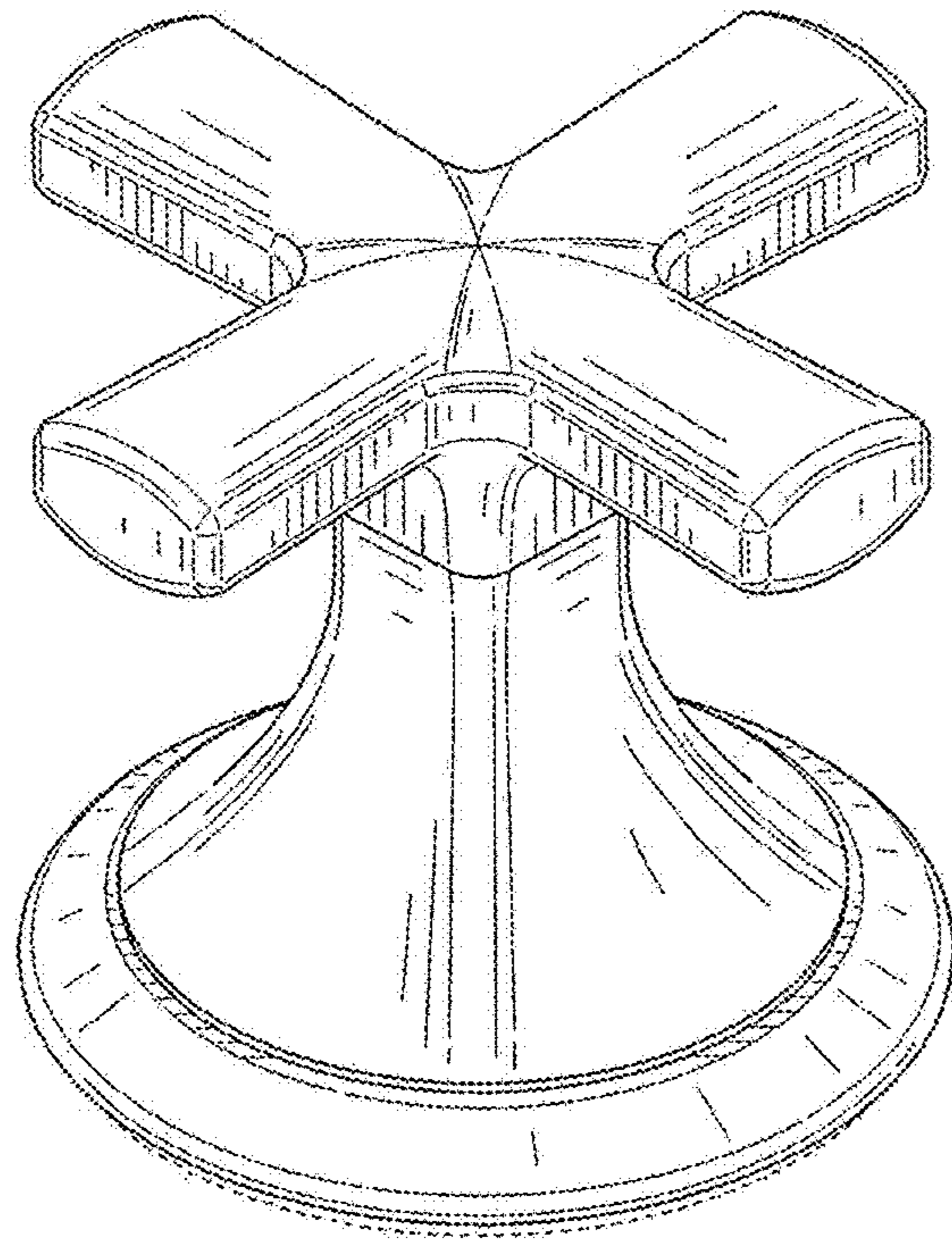


FIG. 1

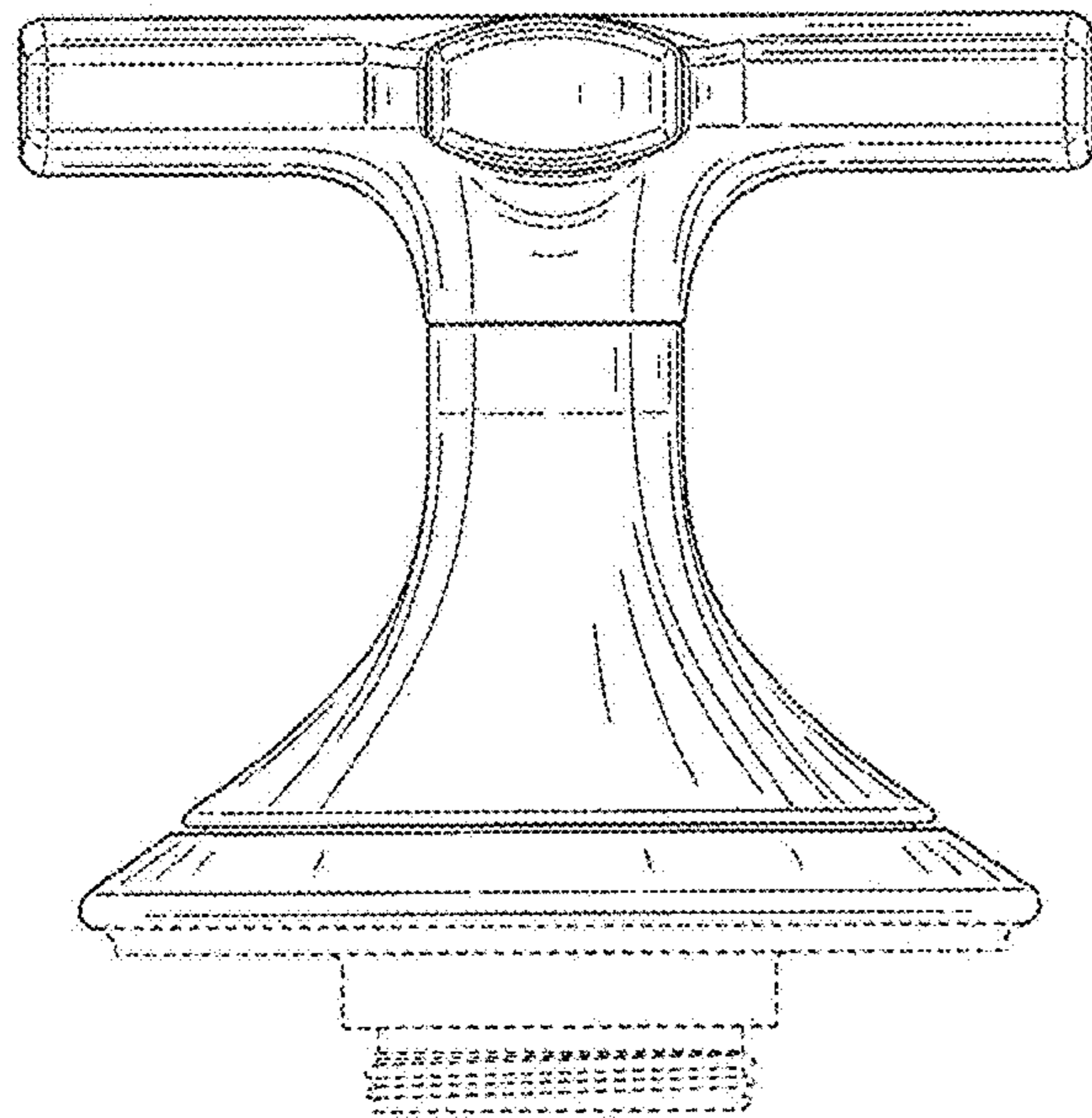


FIG. 2

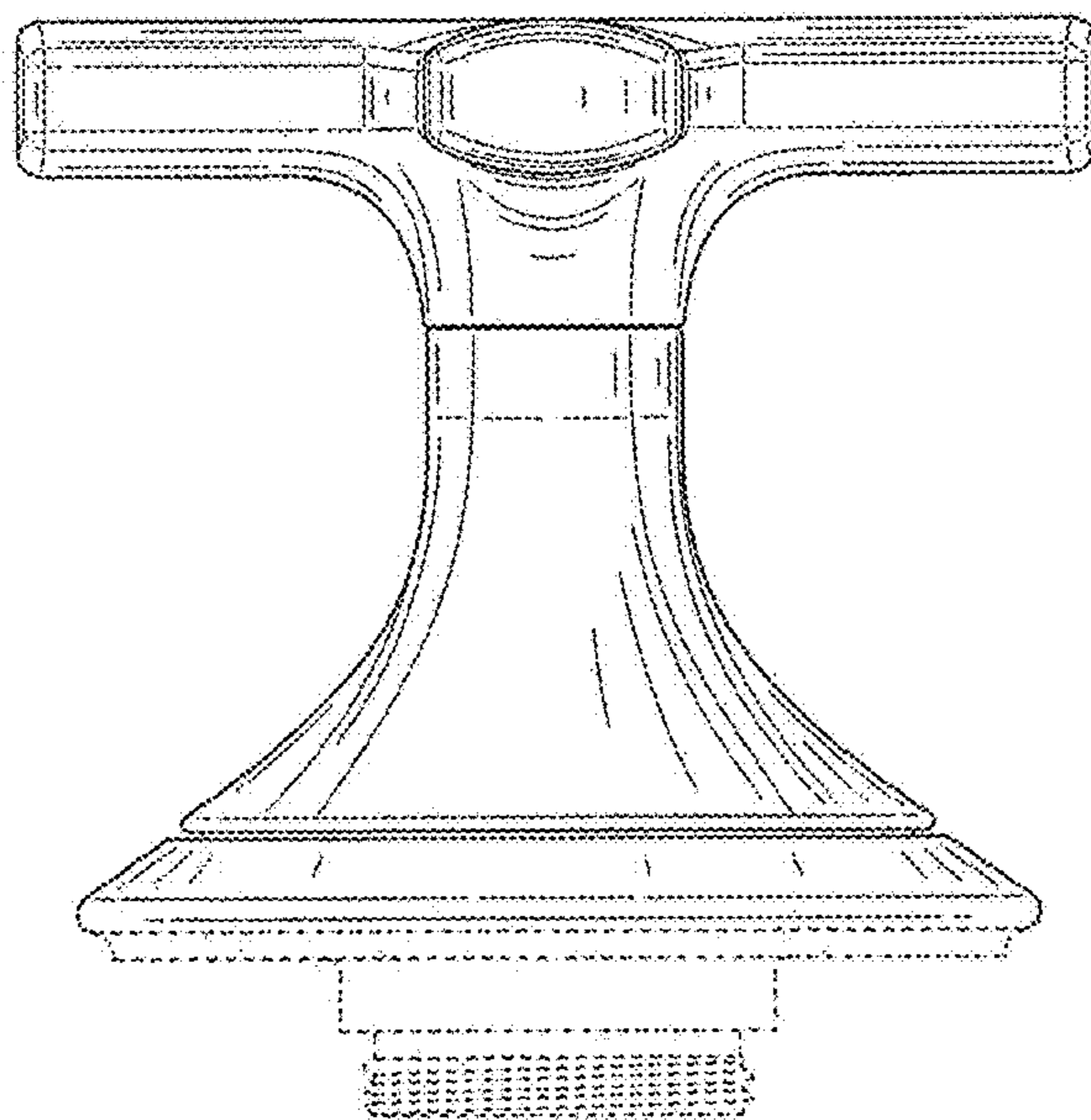


FIG. 3

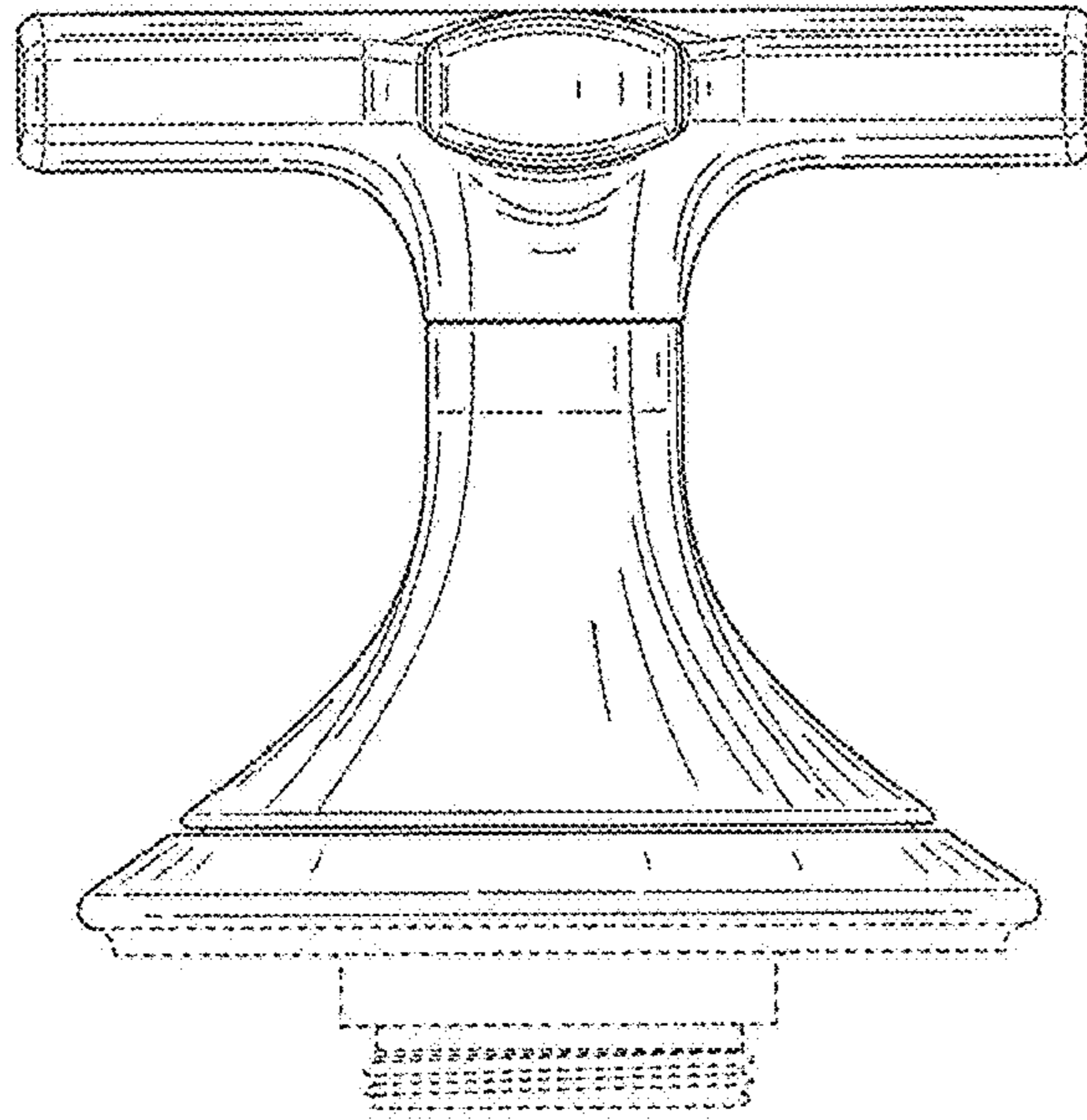


FIG. 4

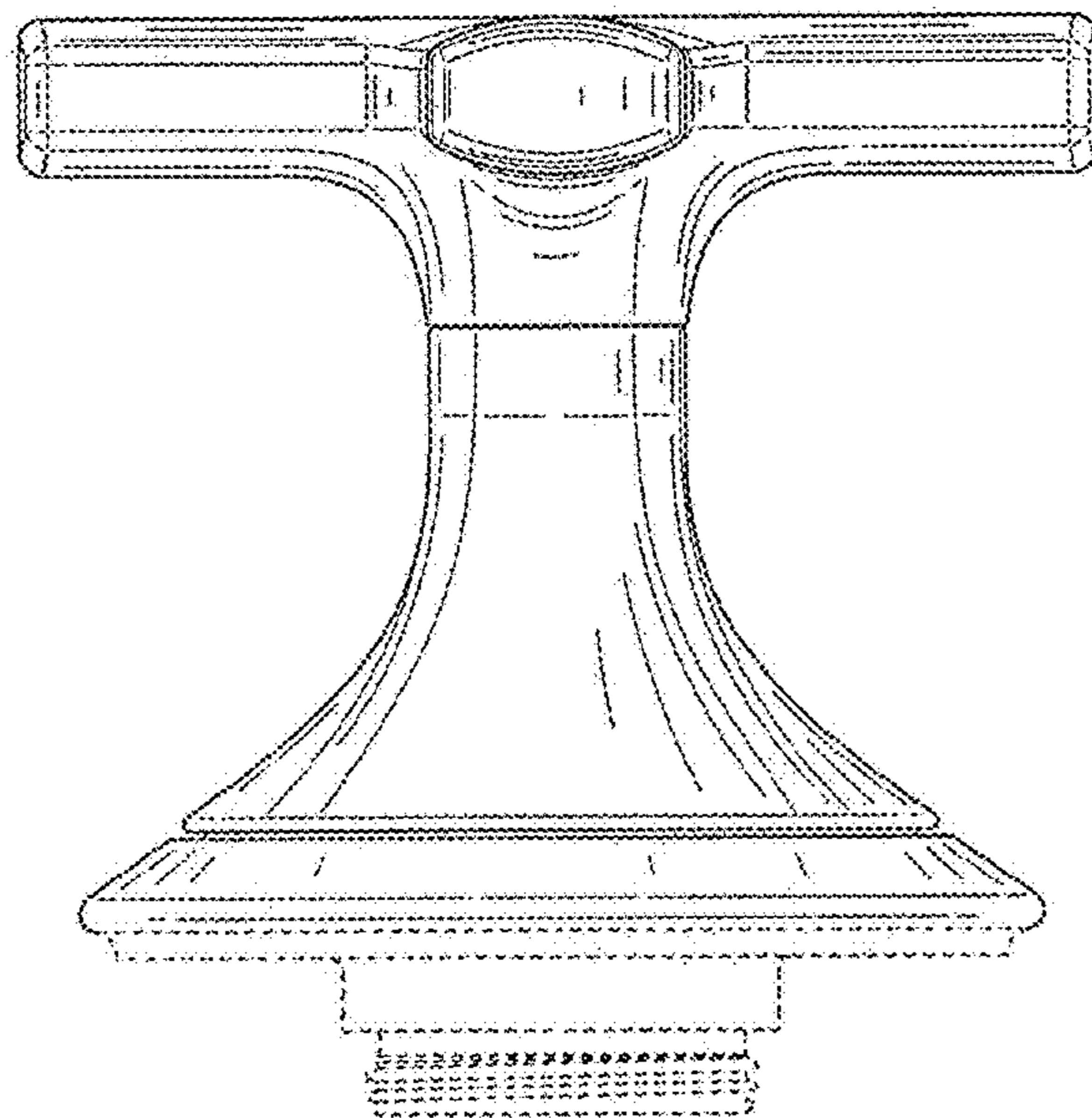


FIG. 5

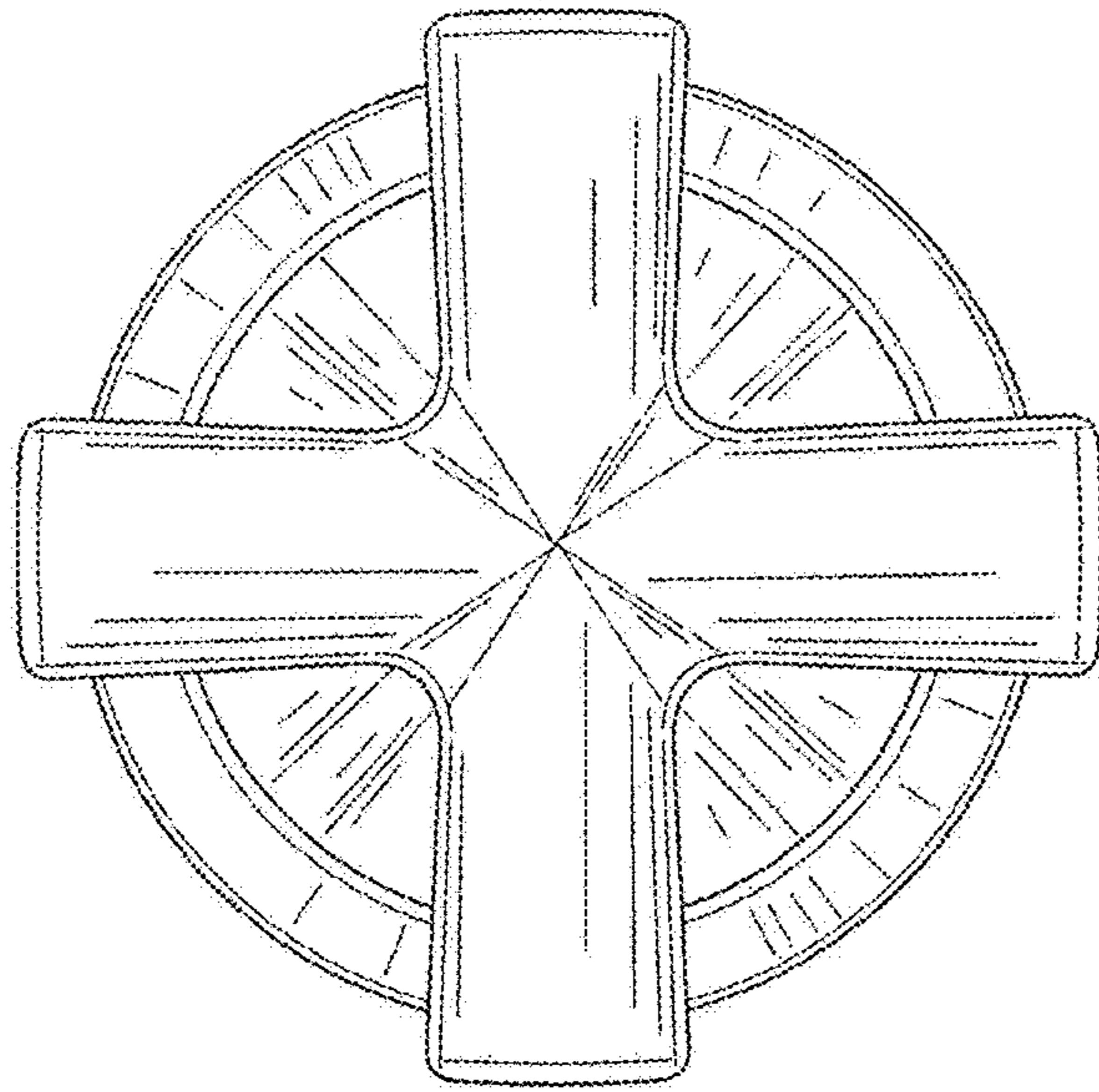


FIG. 6

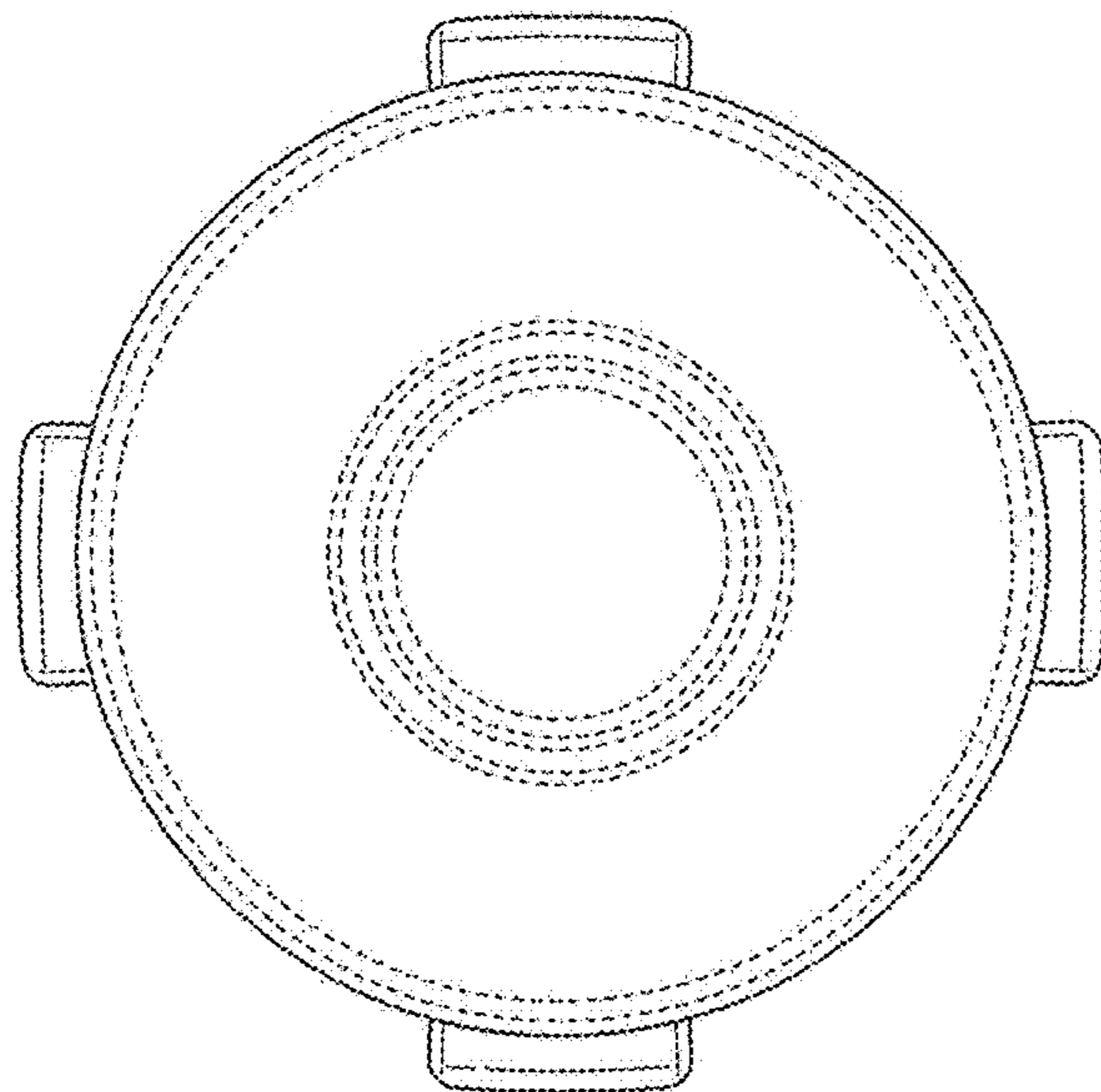


FIG. 7