



US00D838348S

(12) **United States Design Patent** (10) **Patent No.:** **US D838,348 S**  
**Soulier** (45) **Date of Patent:** **\*\* Jan. 15, 2019**

- (54) **FAUCET HANDLE**
- (71) Applicant: **Kohler Co.**, Kohler, WI (US)
- (72) Inventor: **Jean-Hugues Soulier**, Paris (FR)
- (73) Assignee: **KOHLER CO.**, Kohler, WI (US)
- (\*\*) Term: **15 Years**
- (21) Appl. No.: **29/642,467**
- (22) Filed: **Mar. 29, 2018**

D693,439 S 11/2013 Shieh  
D714,911 S 10/2014 Cai  
D786,407 S 5/2017 Clarke

*Primary Examiner* — Robert A Delehanty  
(74) *Attorney, Agent, or Firm* — Foley & Lardner LLP

(57) **CLAIM**

I claim the ornamental design for a faucet handle, as shown and described.

**DESCRIPTION**

FIG. 1 is a top, front, right perspective view of an embodiment of the claimed design;  
FIG. 2 is a front elevation view thereof;  
FIG. 3 is a rear elevation view thereof;  
FIG. 4 is a right side elevation view thereof;  
FIG. 5 is a left side elevation view thereof;  
FIG. 6 is a top plan view thereof;  
FIG. 7 is a bottom plan view thereof;  
FIG. 8 is a cross-sectional view thereof taken across line 8-8 in FIG. 6;  
FIG. 9 is a cross-sectional view thereof taken across line 9-9 in FIG. 6; and,  
FIG. 10 is a cross-sectional view thereof taken across line 10-10 in FIG. 7.

The ornamental design which is claimed is shown in solid lines in the drawings. The broken lines in the drawings are for illustrative purposes only and form no part of the claimed design. Broken lines formed by equal length dashes show unclaimed subject matter. Broken lines formed by unequal length dashes (i.e., dash-dot) define bounds of the claimed design.

Broken away symbols having a jagged element show that no particular length of the portion is claimed.

The appearance of any portion of the article between the broken away symbols forms no part of the claimed design.

**1 Claim, 5 Drawing Sheets**

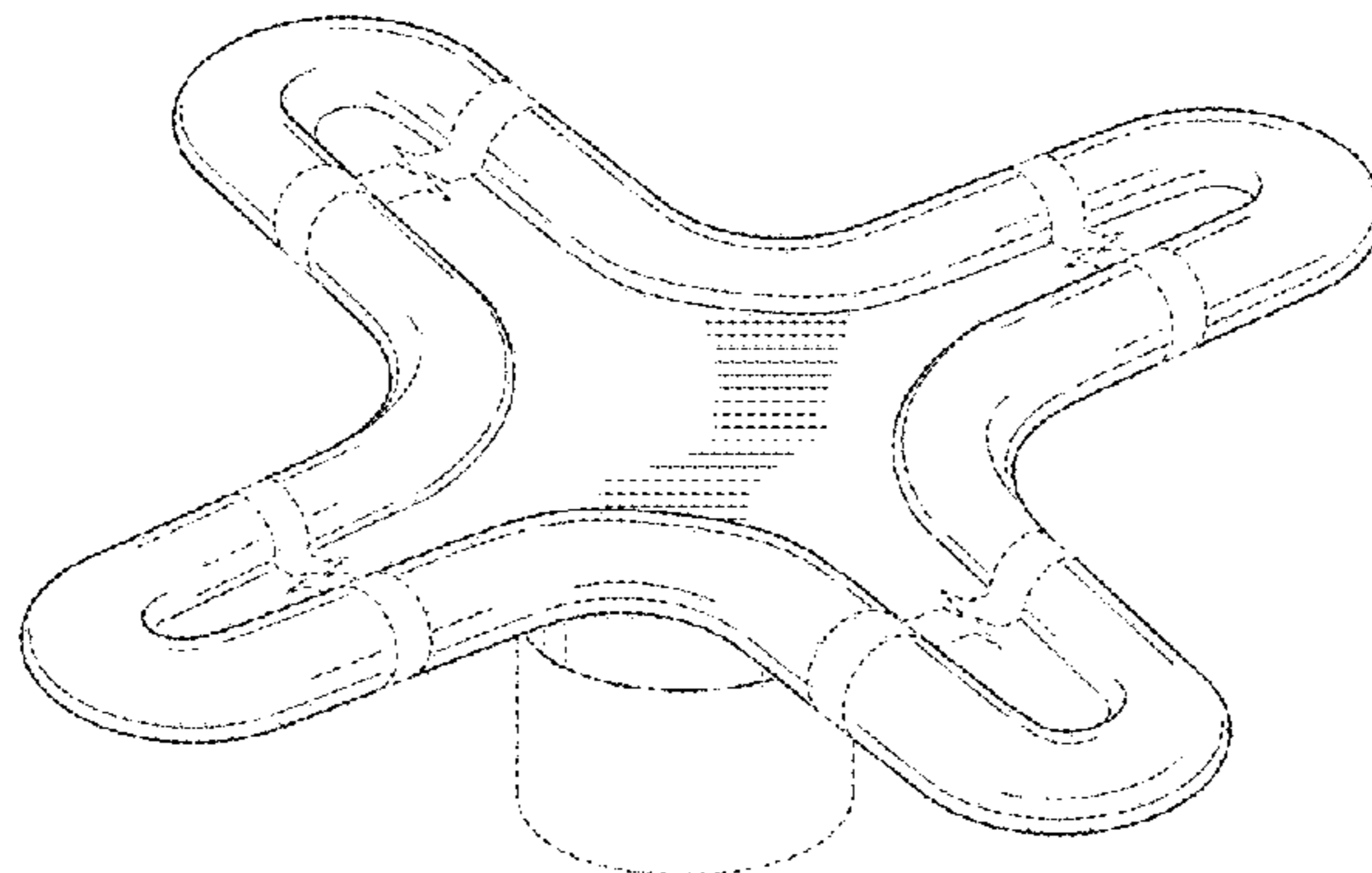
**Related U.S. Application Data**

- (62) Division of application No. 29/585,172, filed on Nov. 21, 2016, now Pat. No. Des. 816,805.
- (51) **LOC (11) Cl.** ..... **23-01**
- (52) **U.S. Cl.**  
USPC ..... **D23/253**
- (58) **Field of Classification Search**  
USPC ..... D23/238–243, 249–250, 252–253, 254;  
D8/300, 310  
CPC . E03C 1/0412; E03C 1/0408; Y10T 137/9464  
See application file for complete search history.

(56) **References Cited**

U.S. PATENT DOCUMENTS

D141,718 S	6/1945	Blank
D464,249 S	10/2002	Laabs
D484,386 S	12/2003	Thomas
D532,086 S	11/2006	Haug
D534,993 S	1/2007	Kirar
D545,664 S	7/2007	Fields
D559,956 S	1/2008	Heck
D567,910 S	4/2008	Shieh
D584,383 S	1/2009	Eilmus
D585,529 S	1/2009	Eilmus
D620,560 S	7/2010	Shieh
D669,557 S	10/2012	Citterio



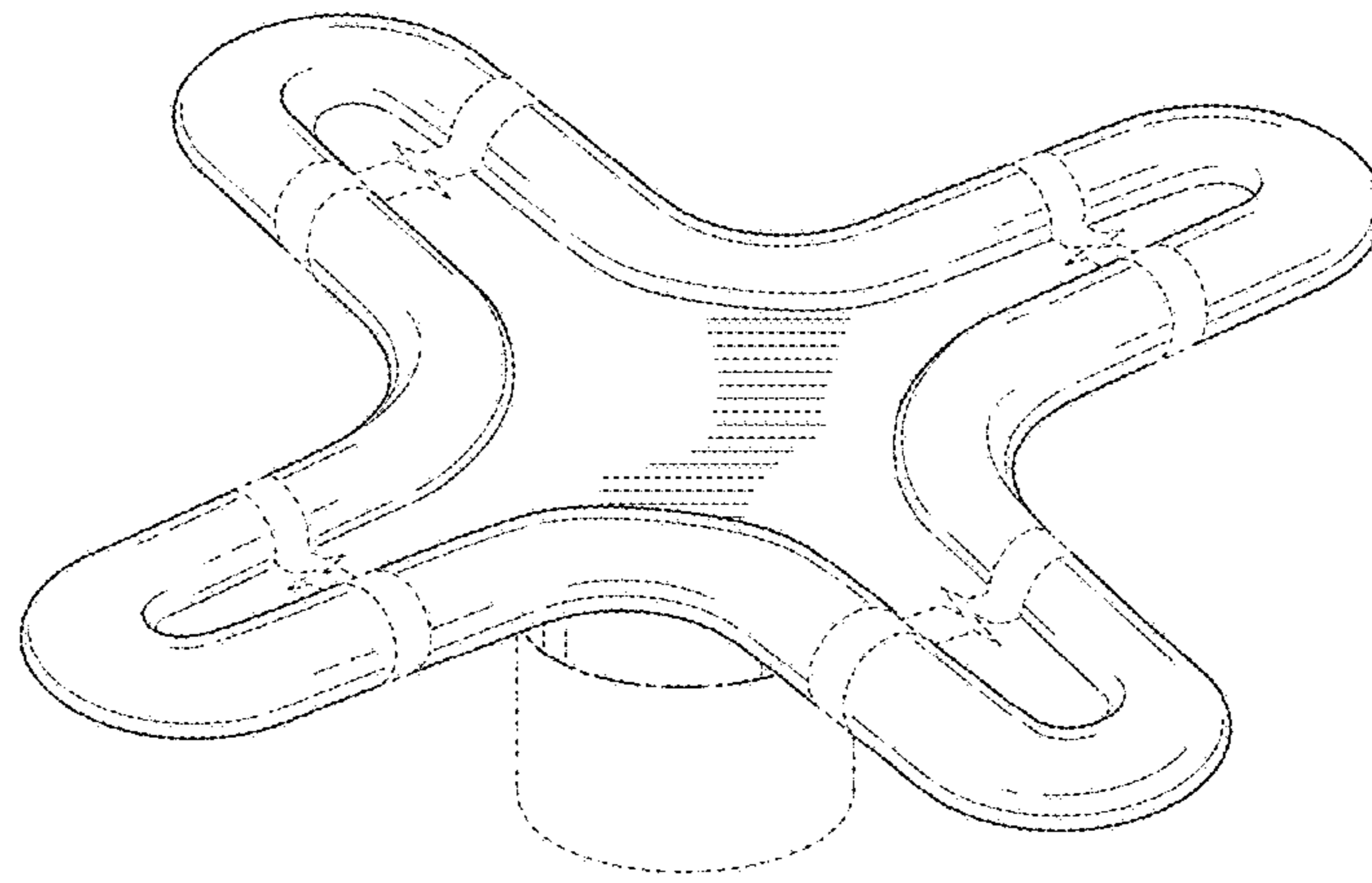


FIG. 1

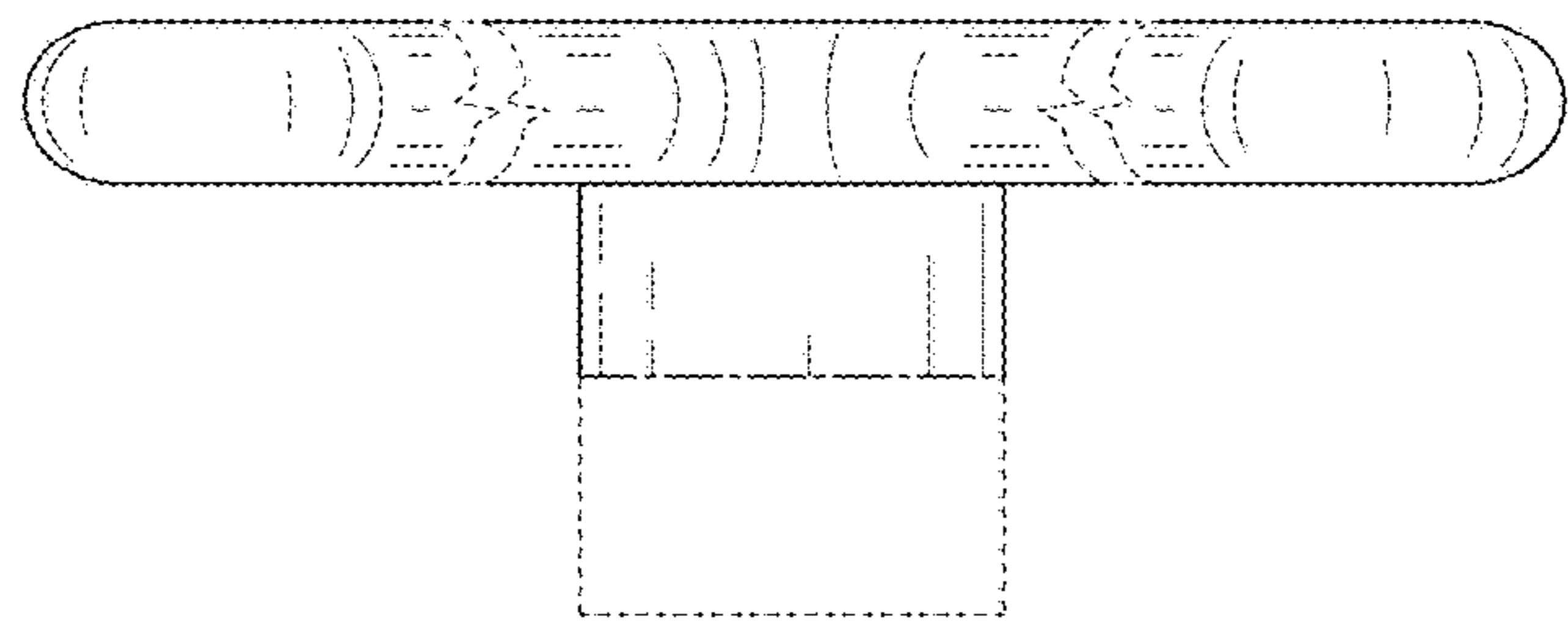


FIG. 2

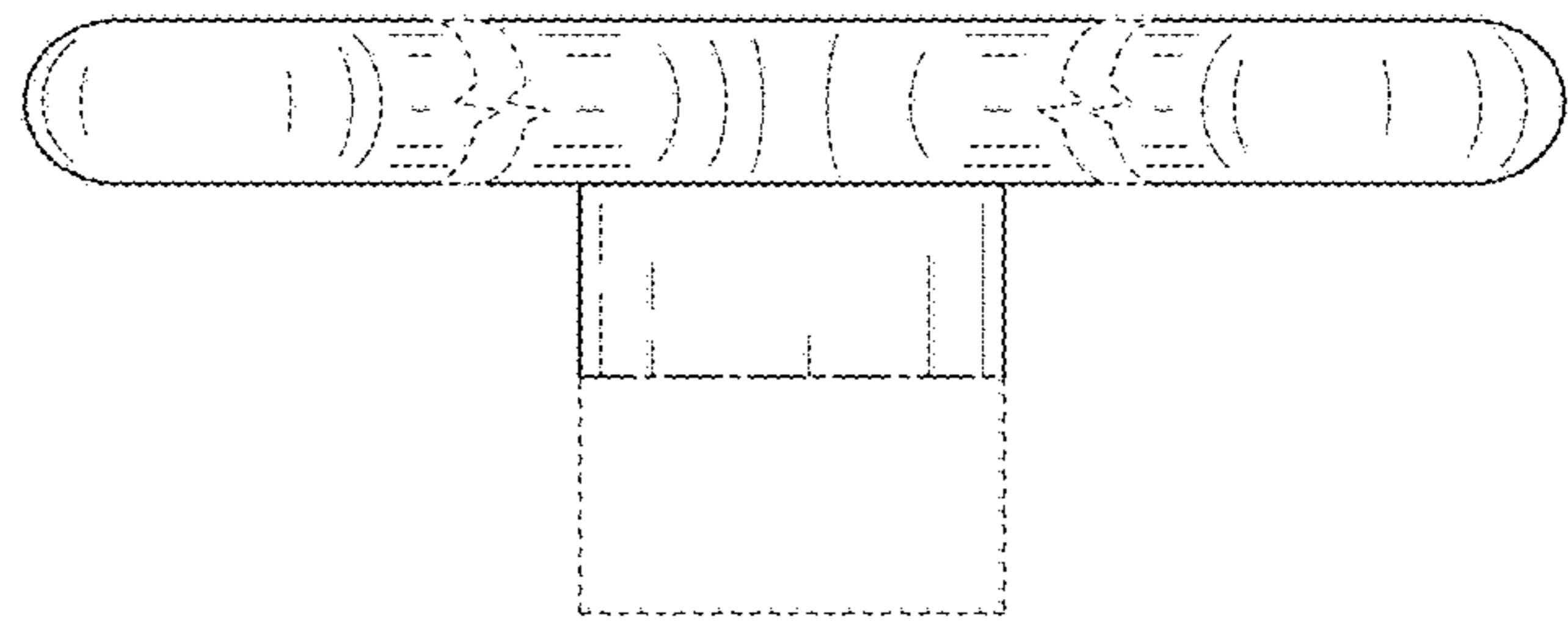


FIG. 3

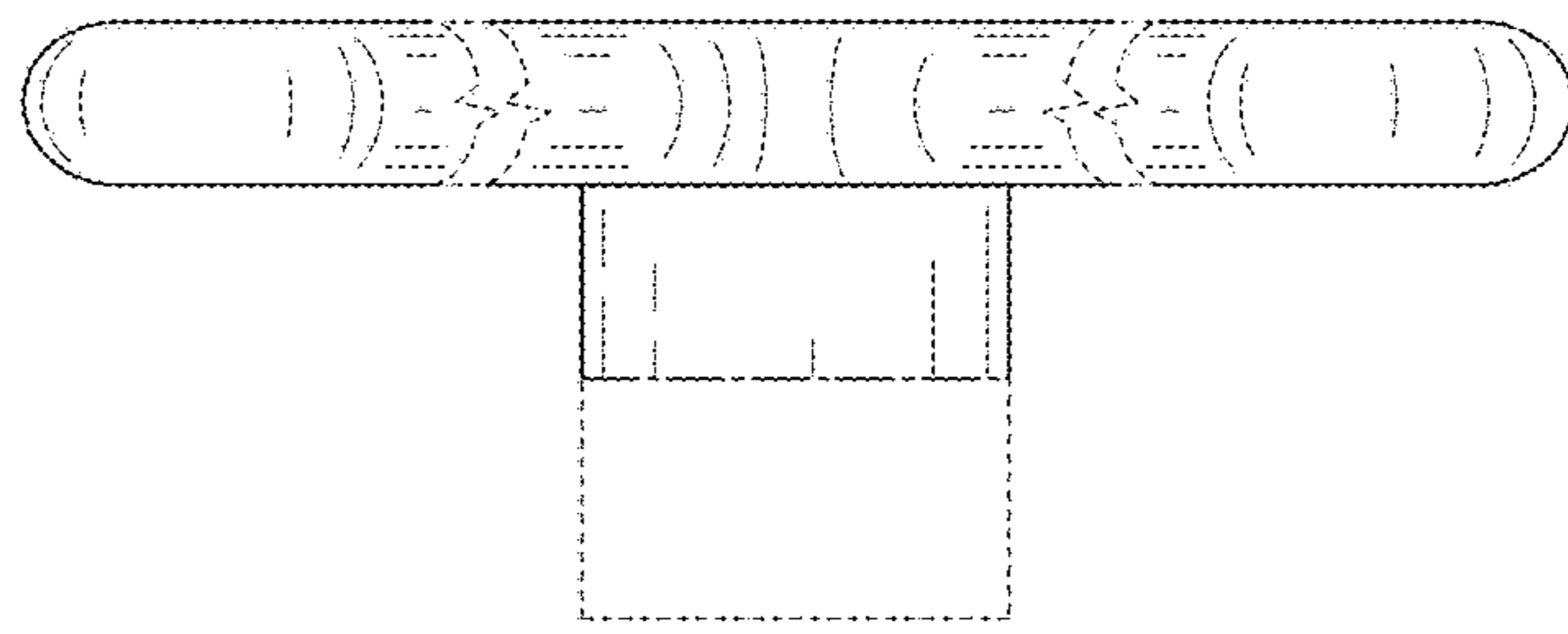


FIG. 4

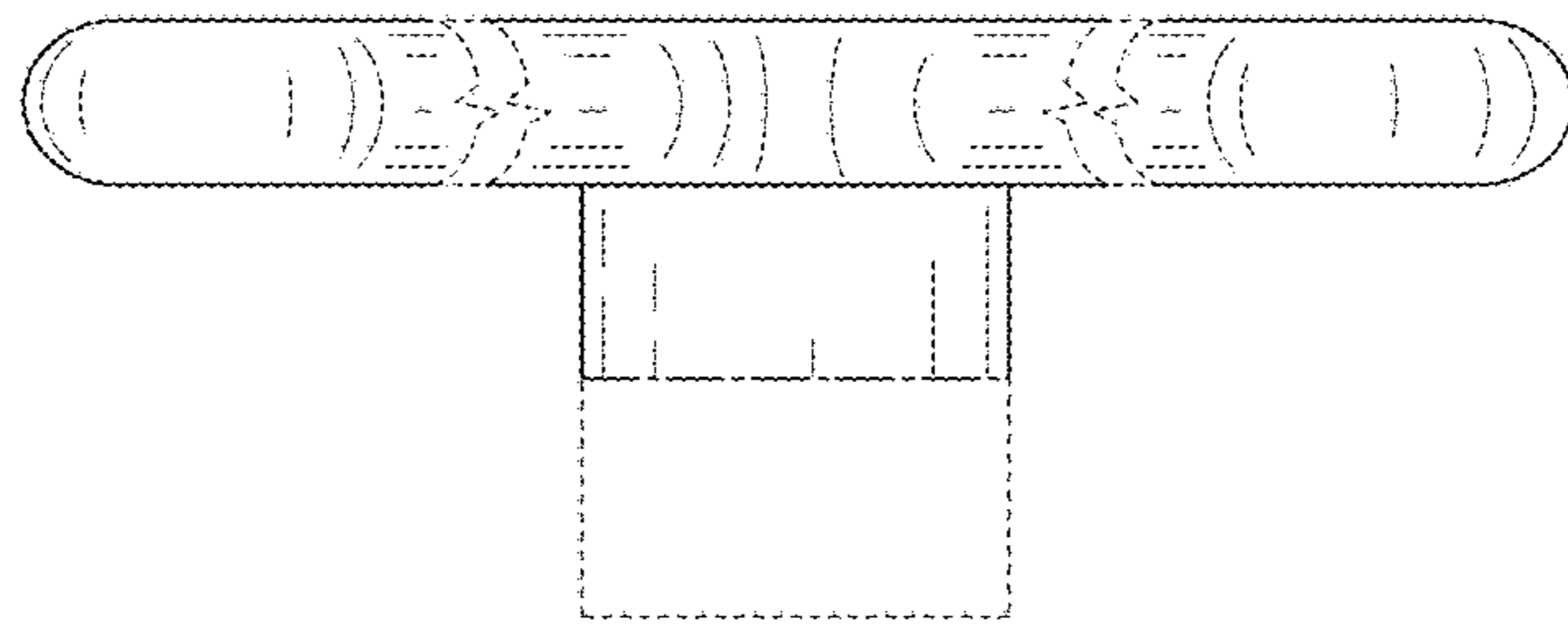
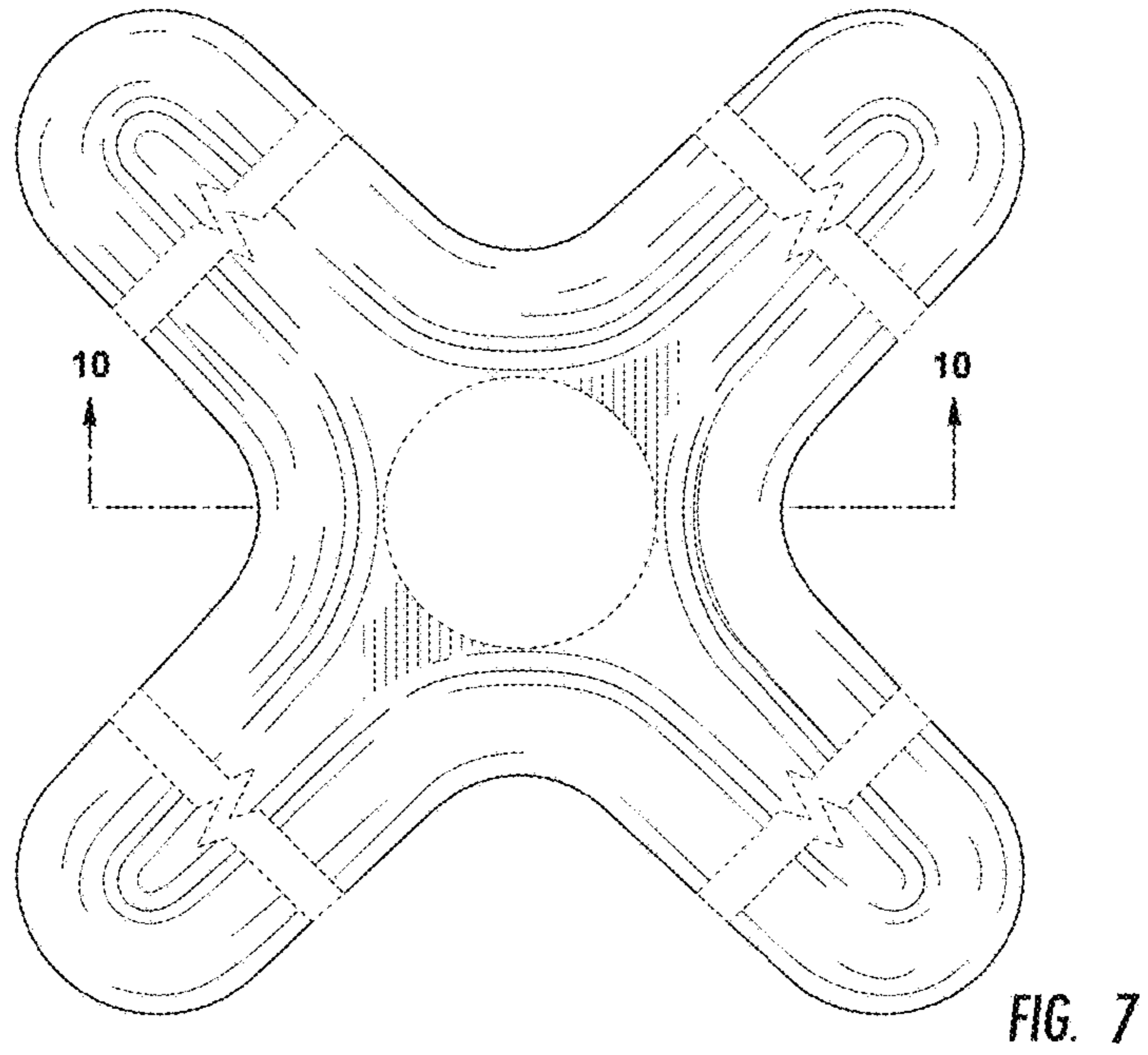
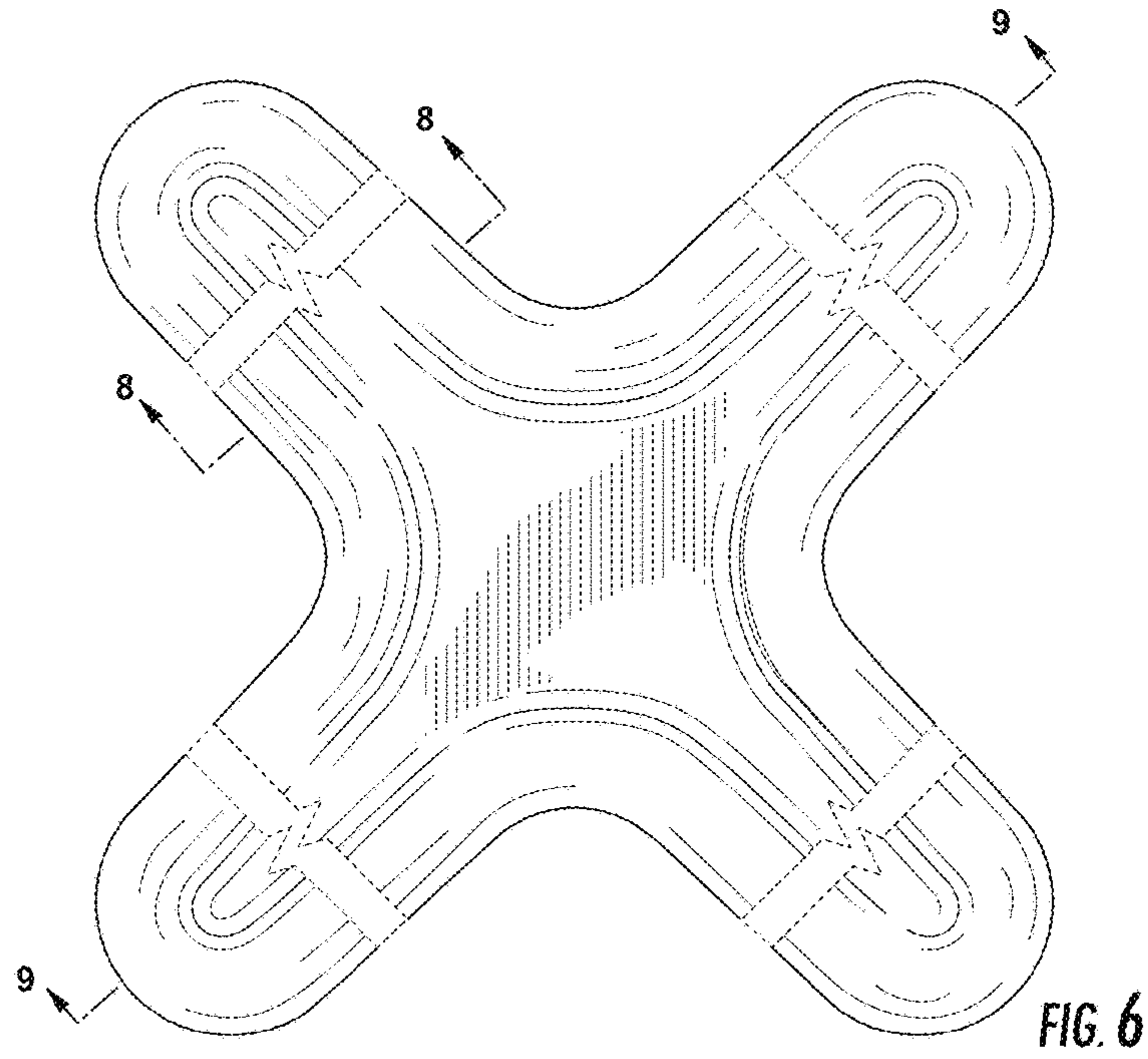


FIG. 5



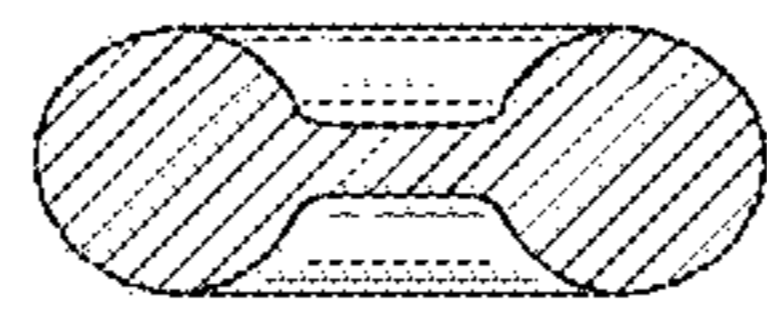


FIG. 8

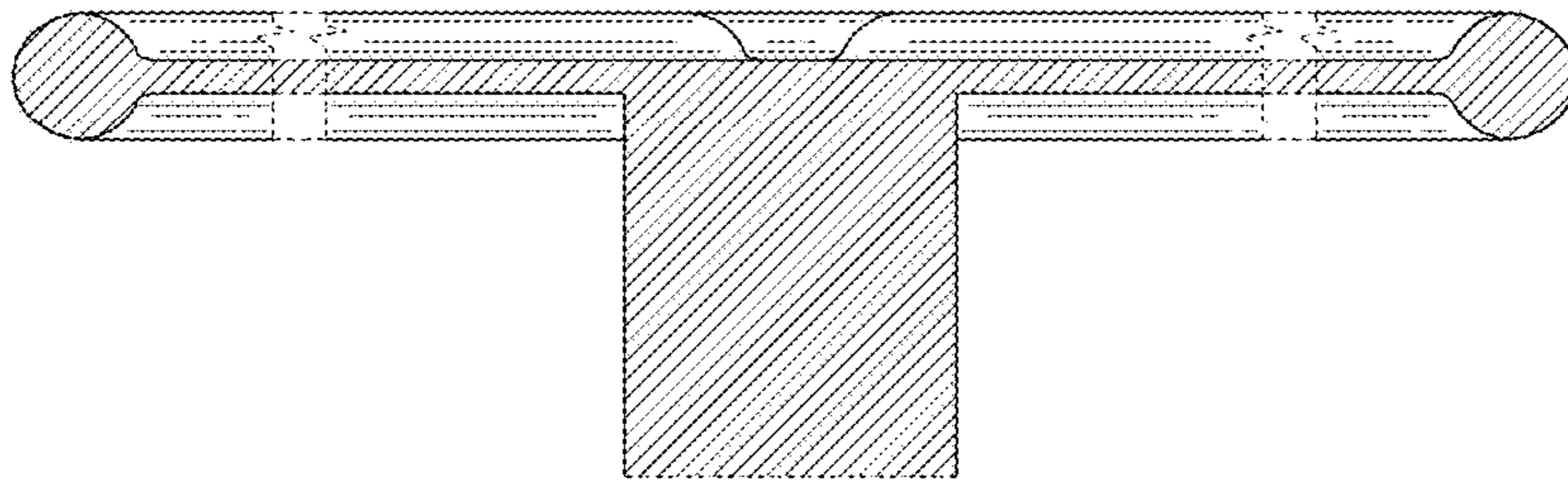


FIG. 9

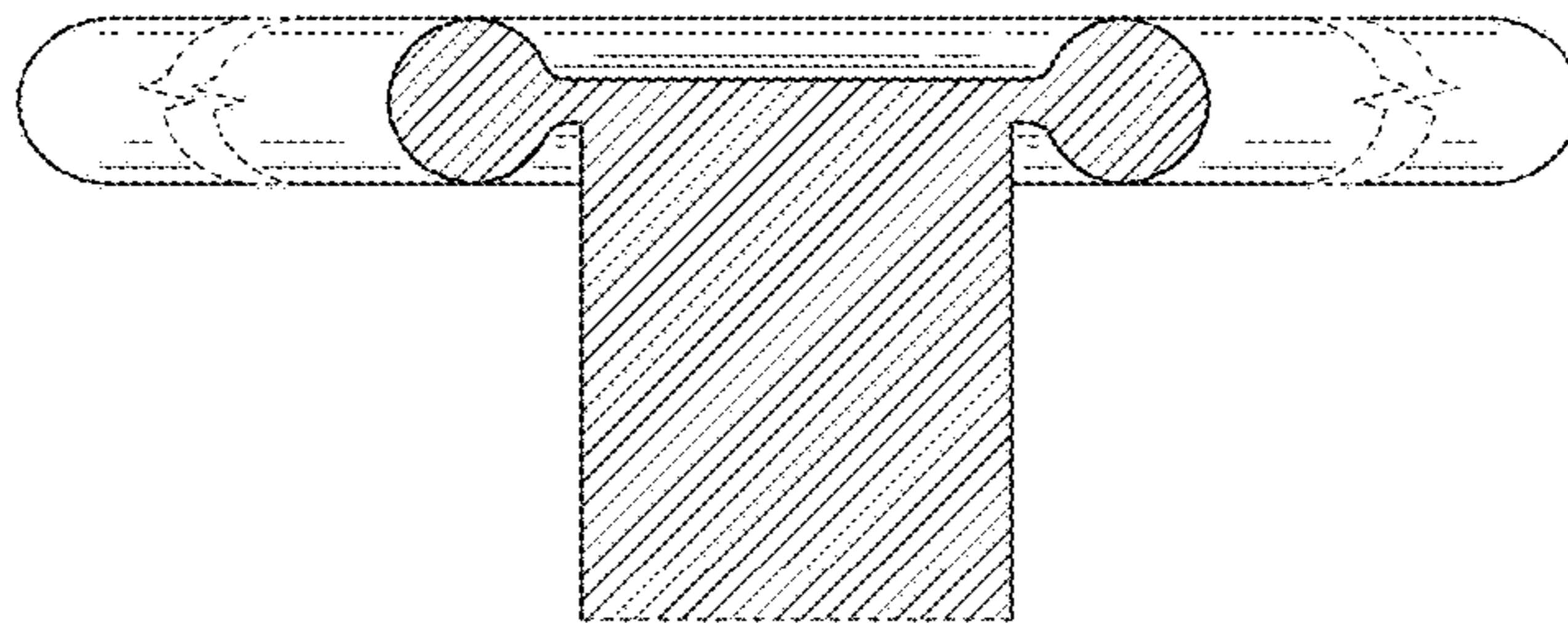


FIG. 10