



US00D838347S

(12) **United States Design Patent**
Sedwick

(10) **Patent No.:** **US D838,347 S**
(45) **Date of Patent:** **** Jan. 15, 2019**

(54) **HUB**

(71) Applicant: **Moen Incorporated**, North Olmsted, OH (US)

(72) Inventor: **Jennifer P. Sedwick**, Lakewood, OH (US)

(73) Assignee: **Moen Incorporated**, North Olmsted, OH (US)

(**) Term: **15 Years**

(21) Appl. No.: **29/605,550**

(22) Filed: **May 26, 2017**

(51) **LOC (11) Cl.** **23-01**

(52) **U.S. Cl.**
USPC **D23/249**

(58) **Field of Classification Search**
USPC D23/238-242, 249, 250-254, 255, 257;
D8/307, 310; D6/546, 550, 323

(Continued)

(56) **References Cited**

U.S. PATENT DOCUMENTS

D175,819 S 10/1955 Young
D202,095 S 8/1965 Kelly

(Continued)

OTHER PUBLICATIONS

Delta Cassidy Centerset, 1 Handle Lav, Widespread, and Roman Tub Faucets, the Delta Cassidy centerset, 1 handle lav, widespread, and roman tub faucets are believed to have been publicly available prior to May 26, 2016 (4 pages).

(Continued)

Primary Examiner — Robert A Delehanty

(74) *Attorney, Agent, or Firm* — Calfee, Halter & Griswold LLP

(57) **CLAIM**

The ornamental design for a hub, as shown and described.

DESCRIPTION

FIG. 1 is a perspective view of a first embodiment of a hub of the new design;

FIG. 2 is a front elevational view of the hub of FIG. 1;

FIG. 3 is a rear elevational view of the hub of FIG. 1;

FIG. 4 is a left side elevational view of the hub of FIG. 1, the right side elevational view being a mirror image thereof;

FIG. 5 is a top plan view of the hub of FIG. 1;

FIG. 6 is a perspective view of a second embodiment of a hub of the new design;

FIG. 7 is a front elevational view of the hub of FIG. 6;

FIG. 8 is a rear elevational view of the hub of FIG. 6;

FIG. 9 is a left side elevational view of the hub of FIG. 6, the right side elevational view being a mirror image thereof;

FIG. 10 is a top plan view of the hub of FIG. 6;

FIG. 11 is a perspective view of a third embodiment of a hub of the new design;

FIG. 12 is a front elevational view of the hub of FIG. 11;

FIG. 13 is a rear elevational view of the hub of FIG. 11;

FIG. 14 is a left side elevational view of the hub of FIG. 11, the right side elevational view being a mirror image thereof;

FIG. 15 is a top plan view of the hub of FIG. 11;

FIG. 16 is a perspective view of a fourth embodiment of a hub of the new design;

FIG. 17 is a front elevational view of the hub of FIG. 16, the rear elevational view being a mirror image thereof;

FIG. 18 is a left side elevational view of the hub of FIG. 16;

FIG. 19 is a right side elevational view of the hub of FIG. 16;

FIG. 20 is a top plan view of the hub of FIG. 16;

FIG. 21 is a perspective view of a fifth embodiment of a hub of the new design;

FIG. 22 is a front elevational view of the hub of FIG. 21, the rear elevational view being a mirror image thereof;

FIG. 23 is a left side elevational view of the hub of FIG. 21;

FIG. 24 is a right side elevational view of the hub of FIG. 21;

FIG. 25 is a top plan view of the hub of FIG. 21;

FIG. 26 is a perspective view of a sixth embodiment of a hub of the new design;

(Continued)

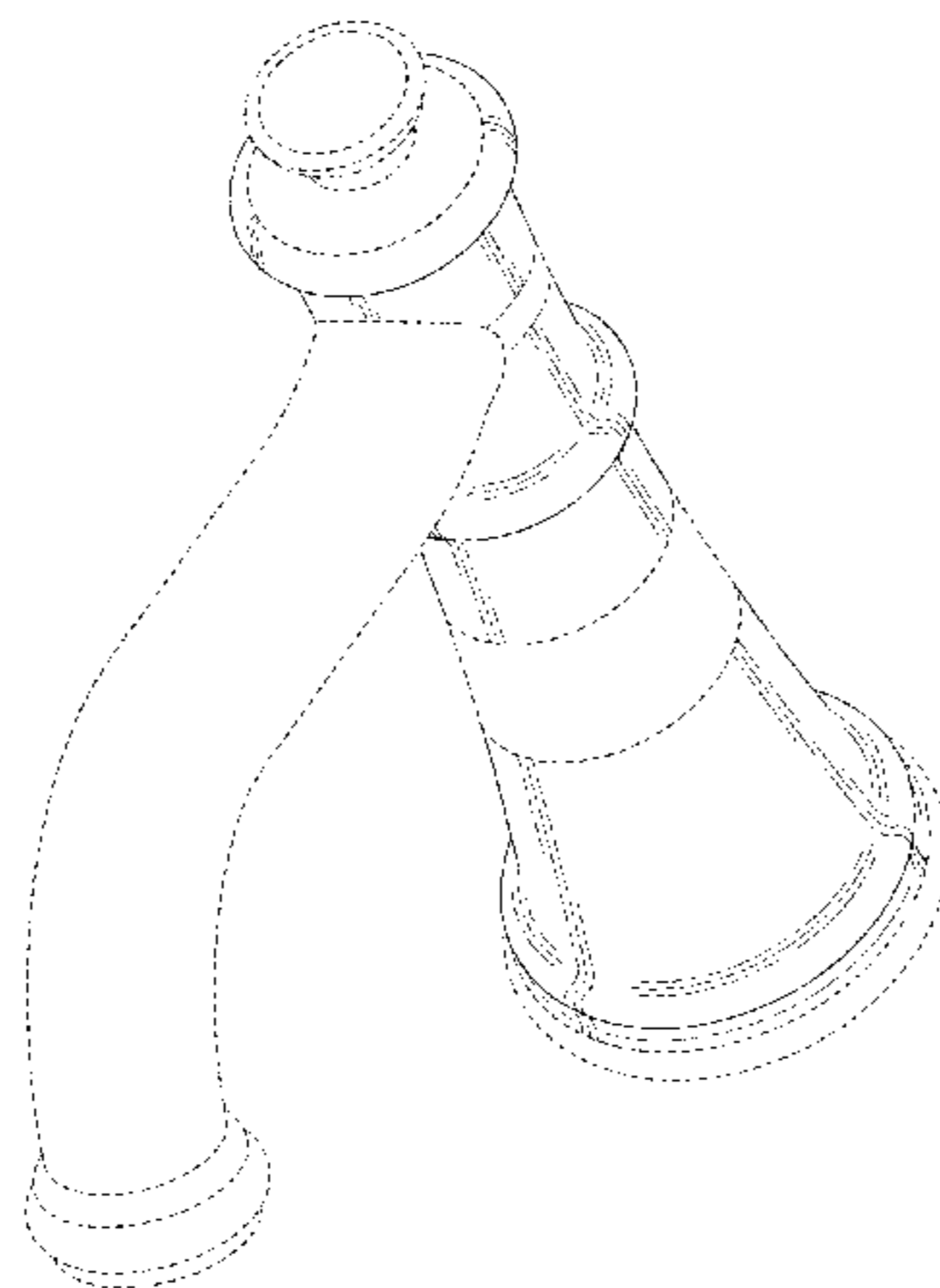


FIG. 27 is a front elevational view of the hub of FIG. 26; FIG. 28 is a left side elevational view of the hub of FIG. 26, the right side elevational view being a mirror image thereof; FIG. 29 is a top plan view of the hub of FIG. 26; and, FIG. 30 is a bottom plan view of the hub of FIG. 26. The portions of the Figures shown in broken lines are not part of the claimed design and are for illustration only.

1 Claim, 24 Drawing Sheets

(58) **Field of Classification Search**

CPC Y10T 137/9464
See application file for complete search history.

(56) **References Cited**

U.S. PATENT DOCUMENTS

D287,395 S	12/1986	Piesco	
D290,496 S	6/1987	Ryan	
D293,601 S	1/1988	Hill et al.	
D318,099 S	7/1991	Reid et al.	
D348,509 S	7/1994	Bollenbacher	
D350,812 S	9/1994	Kolada et al.	
D382,045 S	8/1997	Hundley et al.	
D389,898 S	1/1998	Delker et al.	
D407,466 S	3/1999	Hundley et al.	
D417,490 S	12/1999	Formgren	
D447,542 S	9/2001	Dretzka	
D460,807 S	7/2002	Singtoroj	
D461,535 S	8/2002	Antoniello et al.	
D461,536 S	8/2002	Singtoroj	
D462,749 S	9/2002	Lord	
D463,015 S	9/2002	Chang	
D464,714 S	10/2002	Lord	
D465,010 S	10/2002	Lord	
D465,269 S	11/2002	Hsu	
D465,832 S	11/2002	Singtoroj	
D465,834 S	11/2002	Singtoroj	
D466,991 S	12/2002	Otero et al.	
D467,316 S	12/2002	Otero et al.	
D467,319 S	12/2002	Otero et al.	
D467,644 S	12/2002	Panis et al.	
D468,406 S	1/2003	Sacks et al.	
D469,162 S	1/2003	Panis et al.	
D472,615 S	4/2003	Smith	
D474,671 S	5/2003	Singtoroj et al.	
D474,957 S	5/2003	Singtoroj et al.	
D475,767 S	6/2003	Yegyayan et al.	
D479,312 S	9/2003	Yegyayan	
D482,757 S	11/2003	Blomstrom	
D483,093 S	12/2003	Bates et al.	
D487,132 S	2/2004	Zhao	
D487,499 S	3/2004	Zhao	
D490,502 S	5/2004	Ouyoung	
D495,402 S	8/2004	Spiegelberg et al.	
D496,434 S	9/2004	Spangler	
D496,436 S	9/2004	Ouyoung	
D507,329 S *	7/2005	Zhao D23/238	
D507,331 S	7/2005	Lord et al.	
D508,110 S	8/2005	Spangler	
D509,287 S	9/2005	Spangler	
D509,571 S	9/2005	Green	

D512,767 S	12/2005	Ouyoung	
D516,684 S	3/2006	Ouyoung	
D517,174 S	3/2006	Singtoroj	
D517,661 S	3/2006	Wolf	
D519,768 S *	5/2006	Wu D6/550	
D521,115 S	5/2006	Koury et al.	
D521,117 S	5/2006	Fritz et al.	
D522,096 S	5/2006	Fritz	
D522,108 S	5/2006	Hoernig	
D522,345 S *	6/2006	Soriano D8/308	
D522,624 S	6/2006	Koury et al.	
D522,625 S	6/2006	Fritz	
D522,629 S	6/2006	Fritz	
D522,631 S	6/2006	Singtoroj	
D523,112 S	6/2006	Blattner et al.	
D523,119 S	6/2006	Fritz	
D523,930 S	6/2006	Fritz	
D524,425 S	7/2006	Singtoroj	
D524,923 S	7/2006	Gilbert et al.	
D526,390 S	8/2006	Schaffeld et al.	
D527,804 S	9/2006	Chu et al.	
D527,806 S	9/2006	Chu et al.	
D529,143 S	9/2006	Chu et al.	
D530,783 S	10/2006	Bayer	
D530,794 S	10/2006	Sutopo	
D531,276 S	10/2006	Tsai	
D533,257 S	12/2006	Kemp et al.	
D534,247 S	12/2006	Chu et al.	
D534,248 S	12/2006	Chu et al.	
D535,365 S	1/2007	Mullenmeister	
D550,010 S *	9/2007	Gilbert D6/524	
D556,034 S *	11/2007	Lee D8/402	
D557,049 S	12/2007	Sedwick et al.	
D564,635 S	3/2008	Hsui et al.	
D566,244 S	4/2008	Dolan	
D580,529 S	11/2008	Splangler	
D582,017 S	12/2008	Yuan	
D582,522 S	12/2008	Hanna	
D583,441 S	12/2008	Williams	
D587,342 S	2/2009	Sorzio	
D591,834 S	5/2009	Williams	
D603,938 S	11/2009	Schoenherr et al.	
D630,083 S	1/2011	Zhang	
D634,815 S	3/2011	Barry	
D655,546 S *	3/2012	Gilbert D6/524	
D655,961 S	3/2012	Kemp	
D656,349 S *	3/2012	Sedwick D6/524	
D659,801 S	5/2012	Padgett	
D666,697 S	9/2012	Romero	
D671,777 S *	12/2012	Kwok D6/548	
D676,114 S	2/2013	Lord	
D676,530 S	2/2013	Kwok	
D680,196 S	4/2013	Kwok	
D683,826 S *	6/2013	Kwok D23/249	
D713,509 S	9/2014	Potter et al.	
D754,823 S	4/2016	Garland	
D757,908 S	5/2016	Fritz	

OTHER PUBLICATIONS

Kohler Kelston Centerset, Widespread, and Roman Tub Faucets, the Kohler Kelston centerset, widespread, and roman tub faucets are believed to have been publicly available prior to May 26, 2016 (3 pages).

* cited by examiner

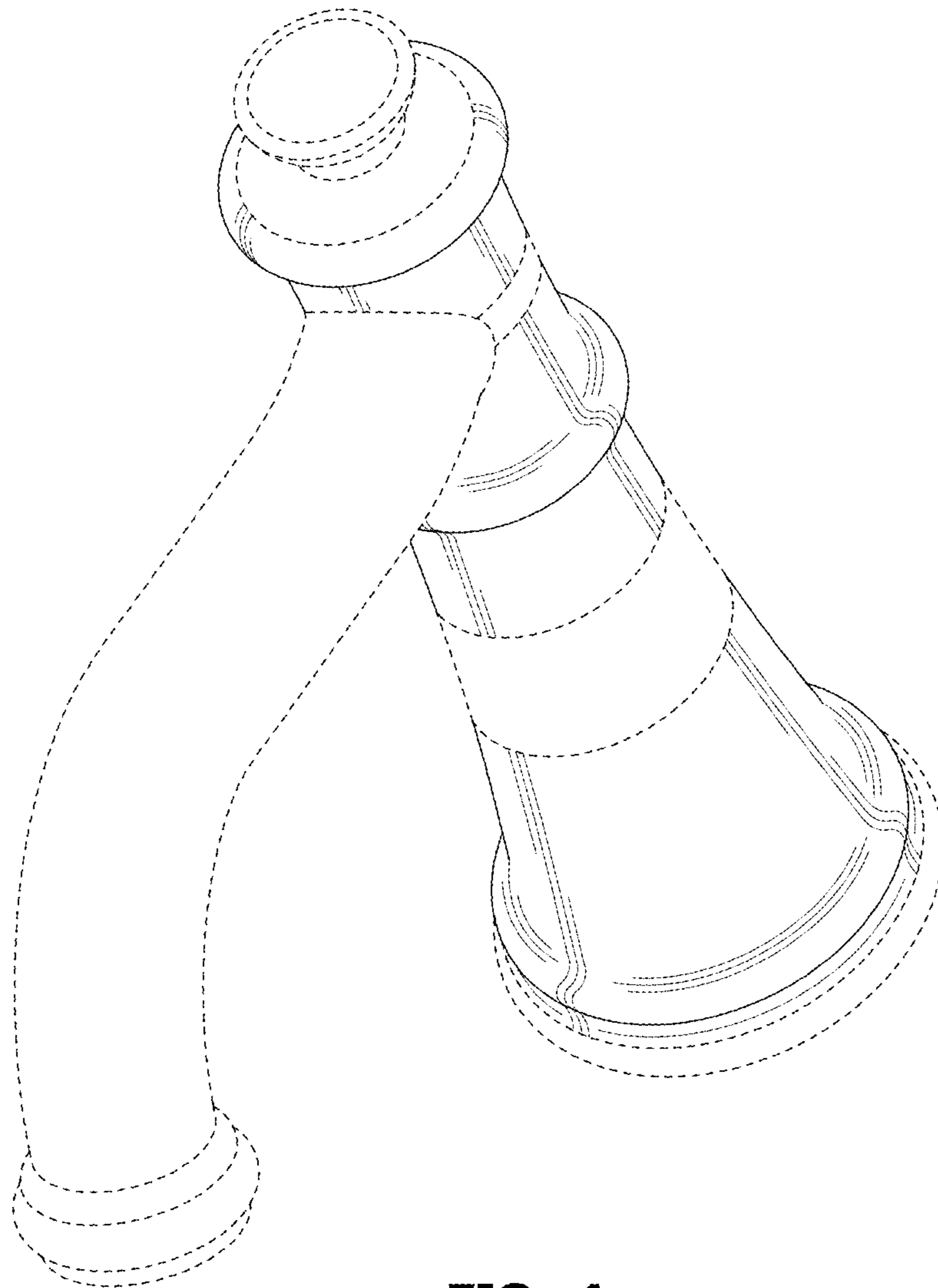


FIG. 1

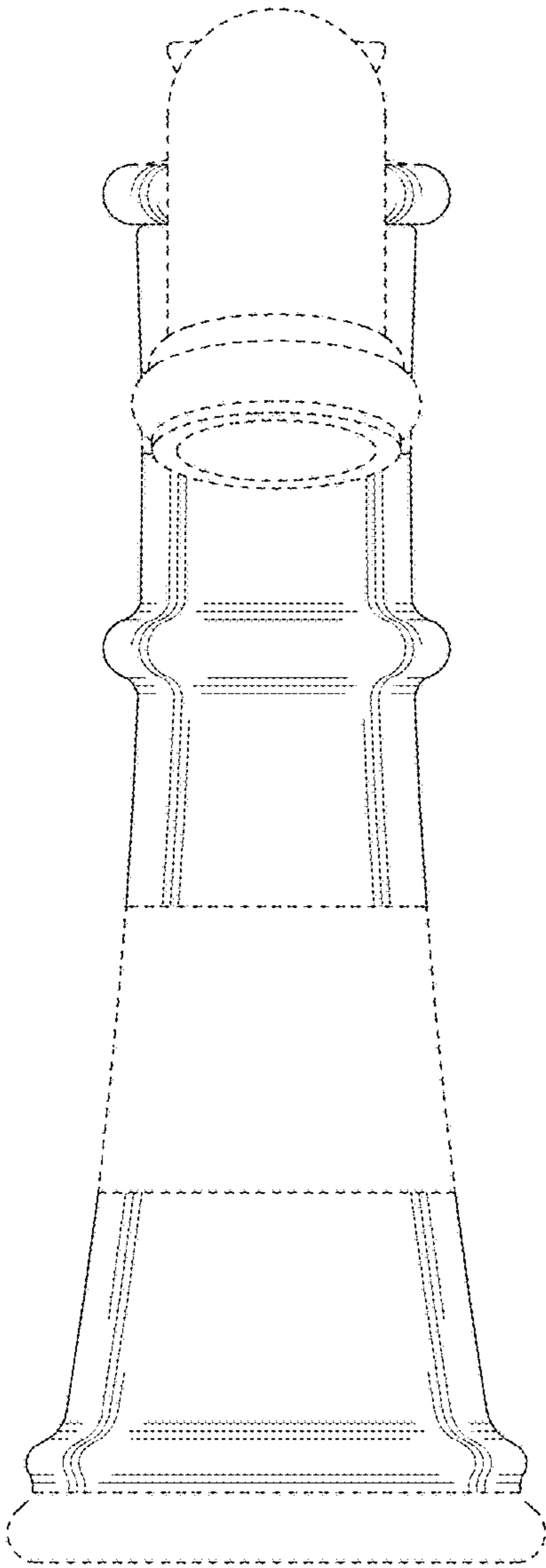


FIG. 2

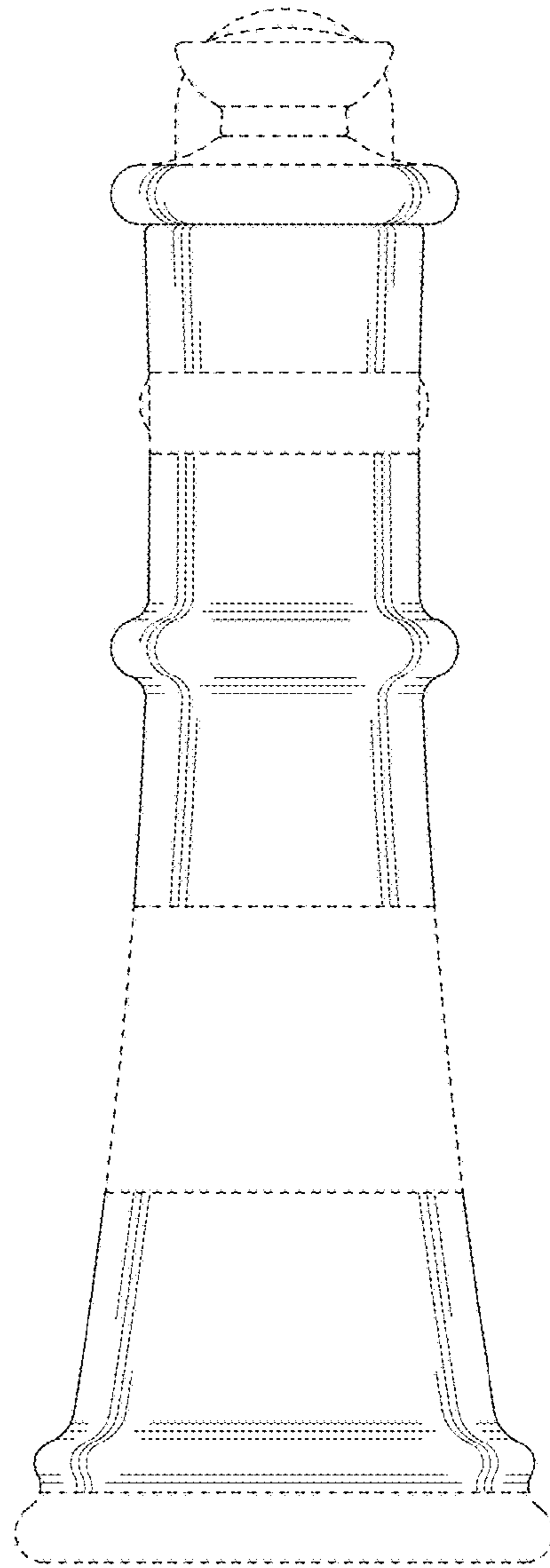


FIG. 3

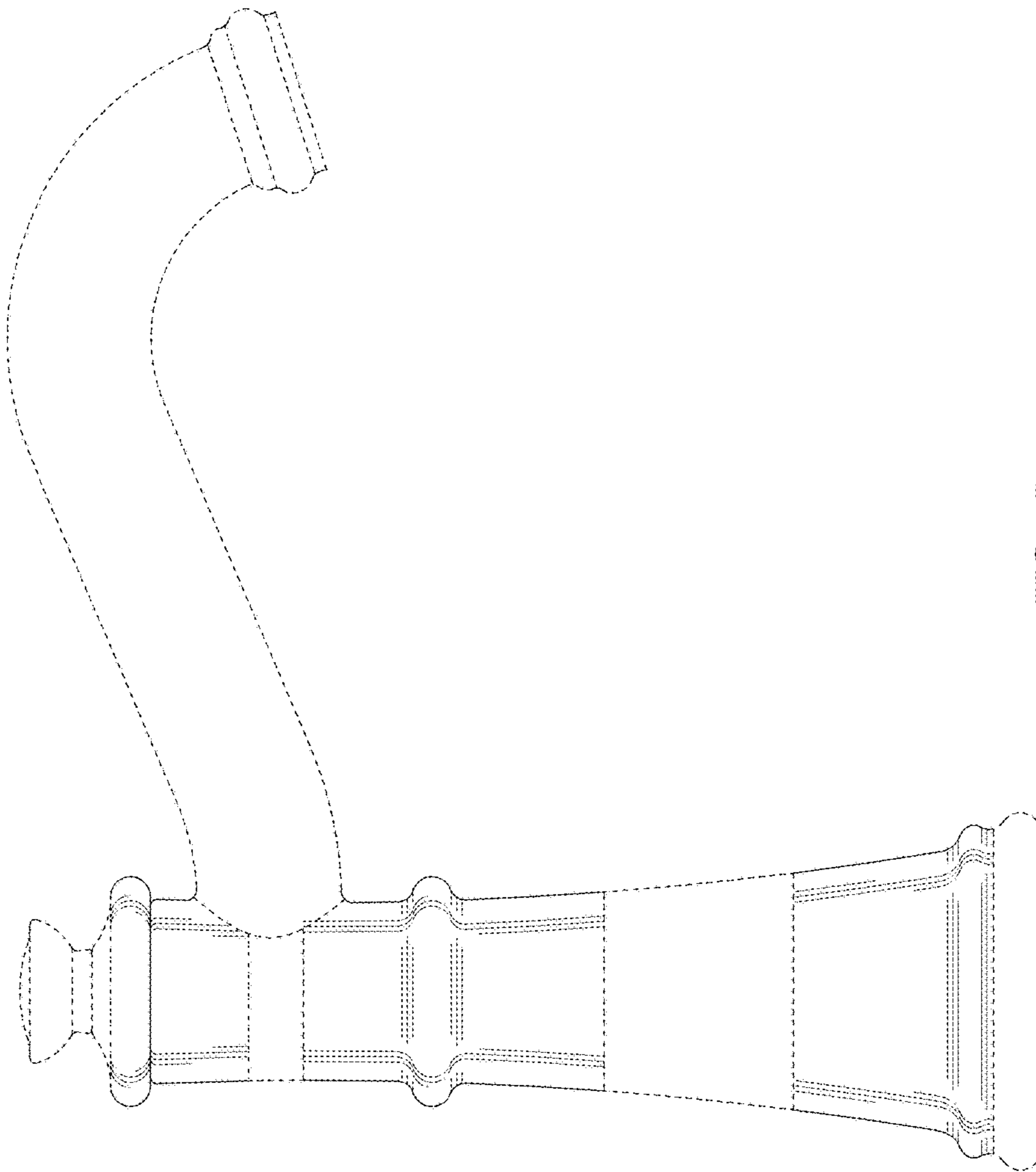


FIG. 4

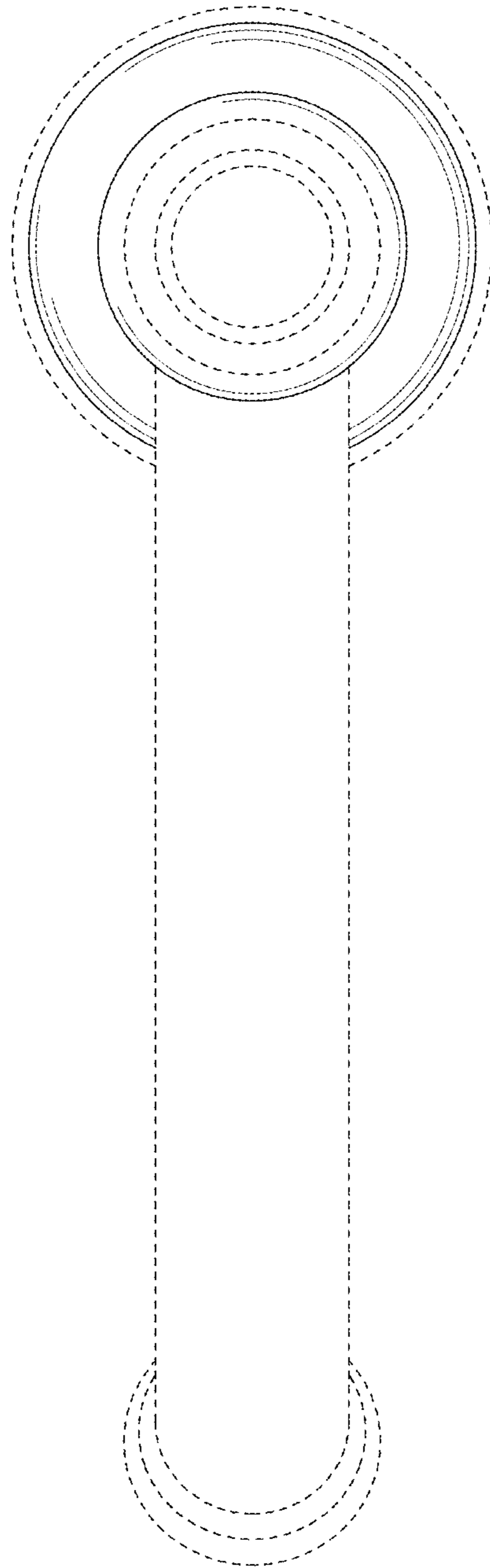


FIG. 5

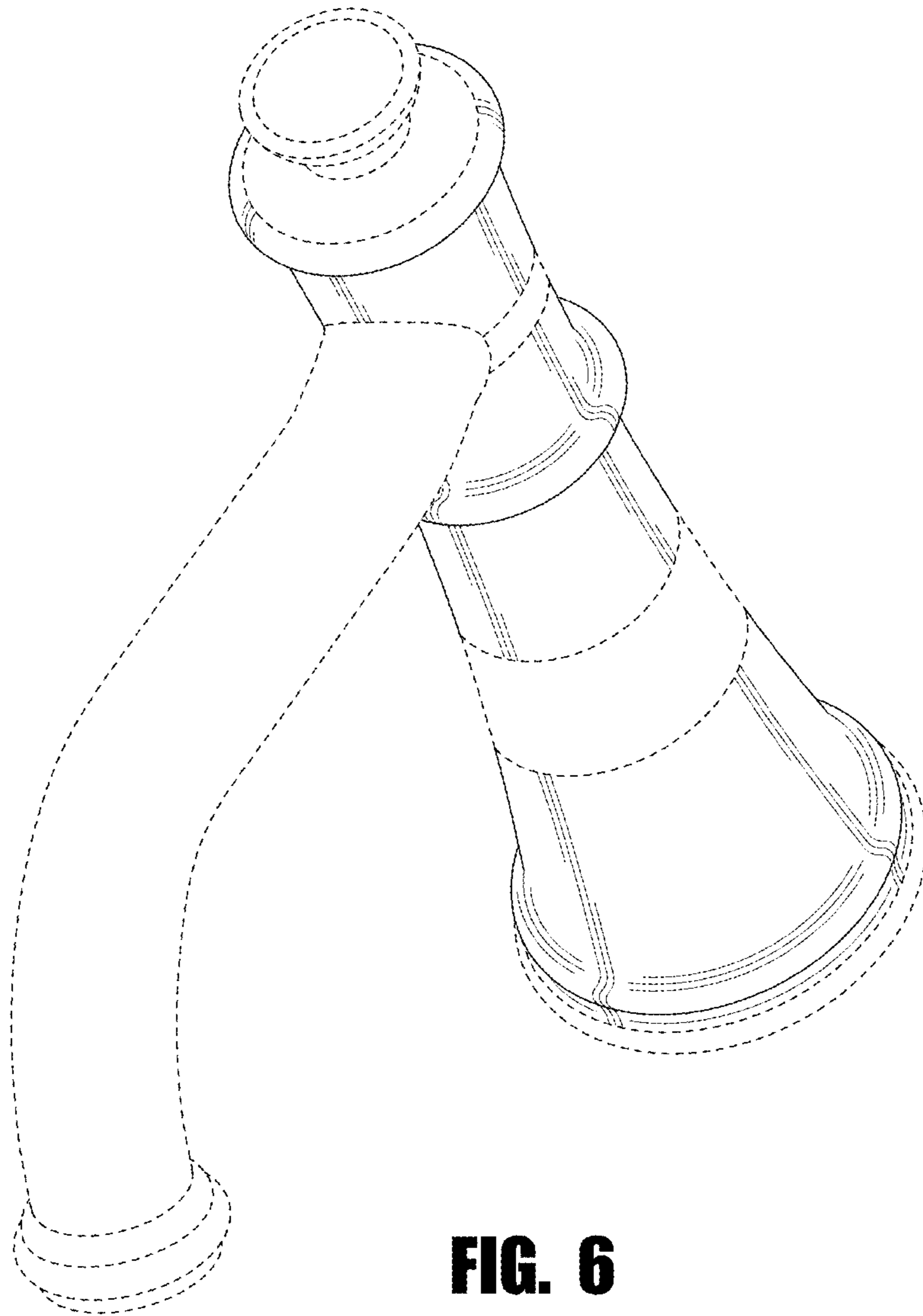


FIG. 6

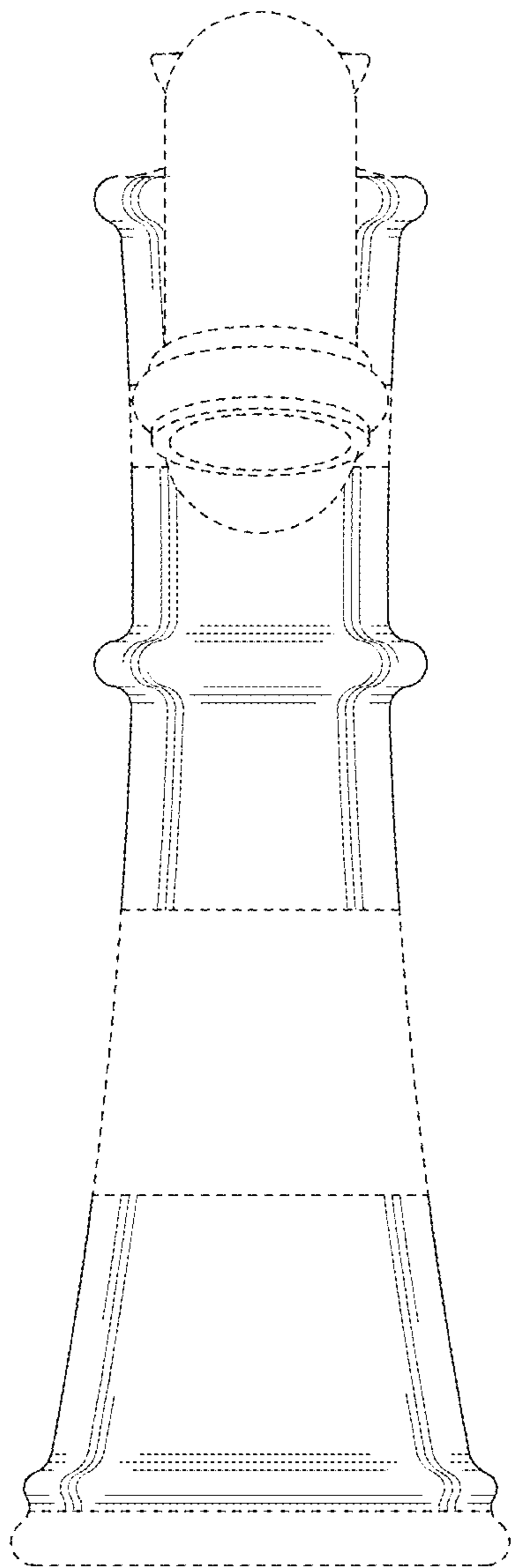


FIG. 7

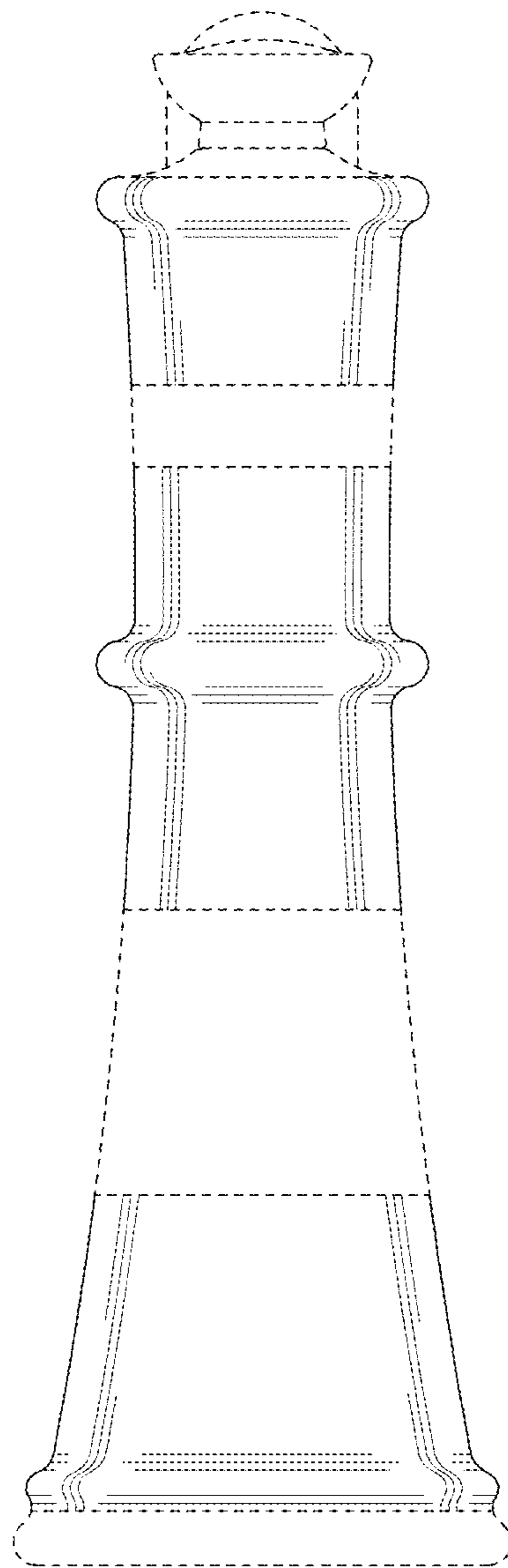


FIG. 8

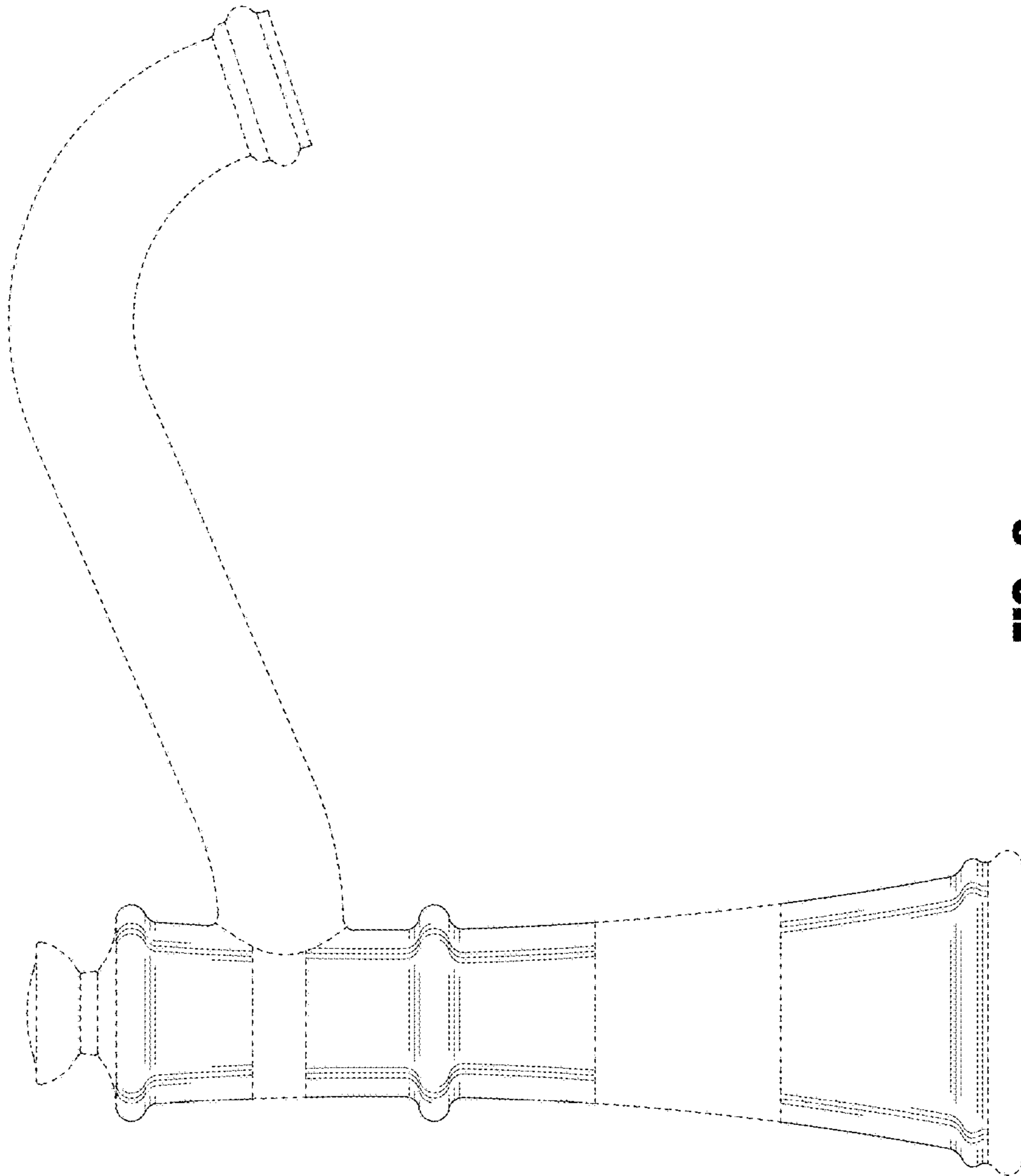


FIG. 9

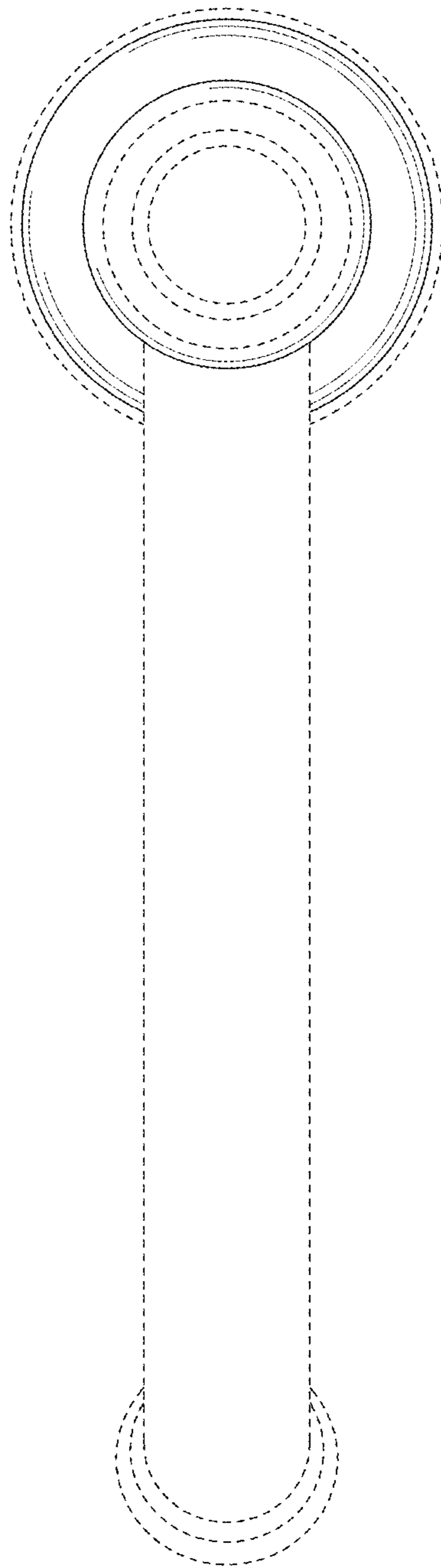
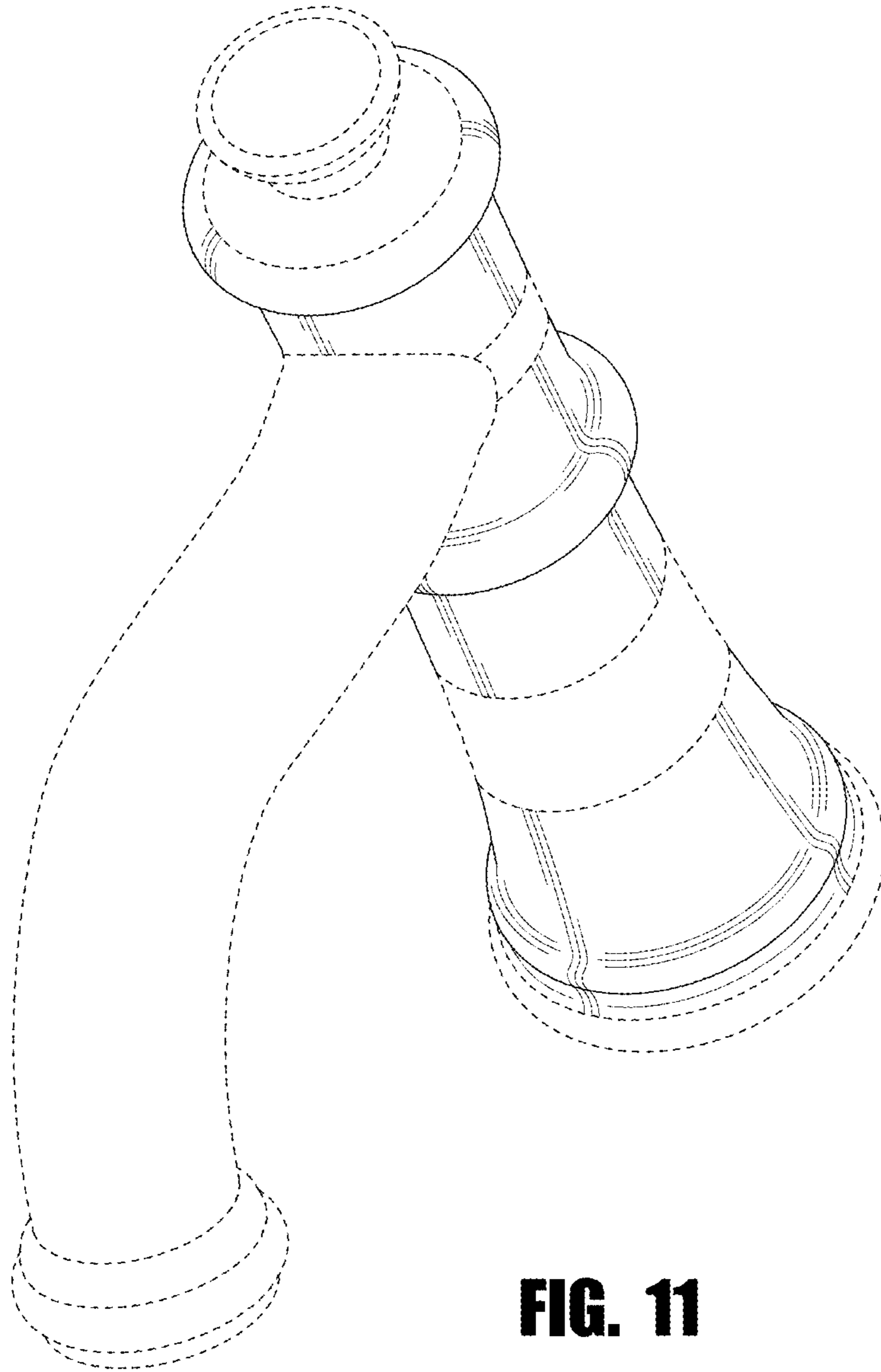


FIG. 10



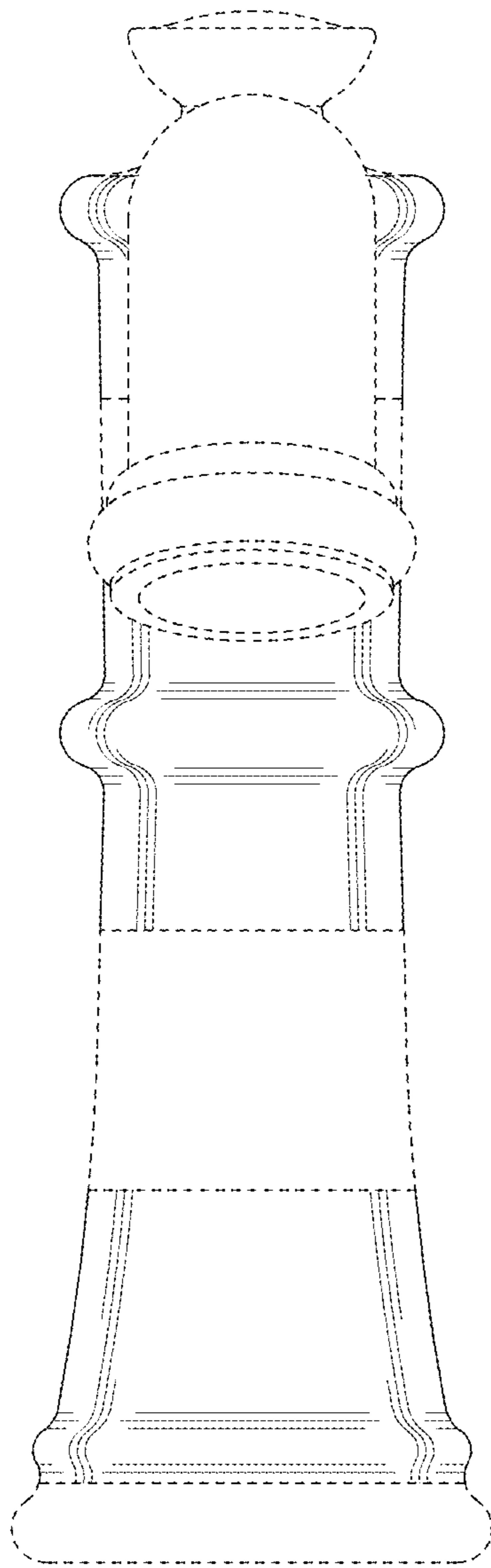


FIG. 12

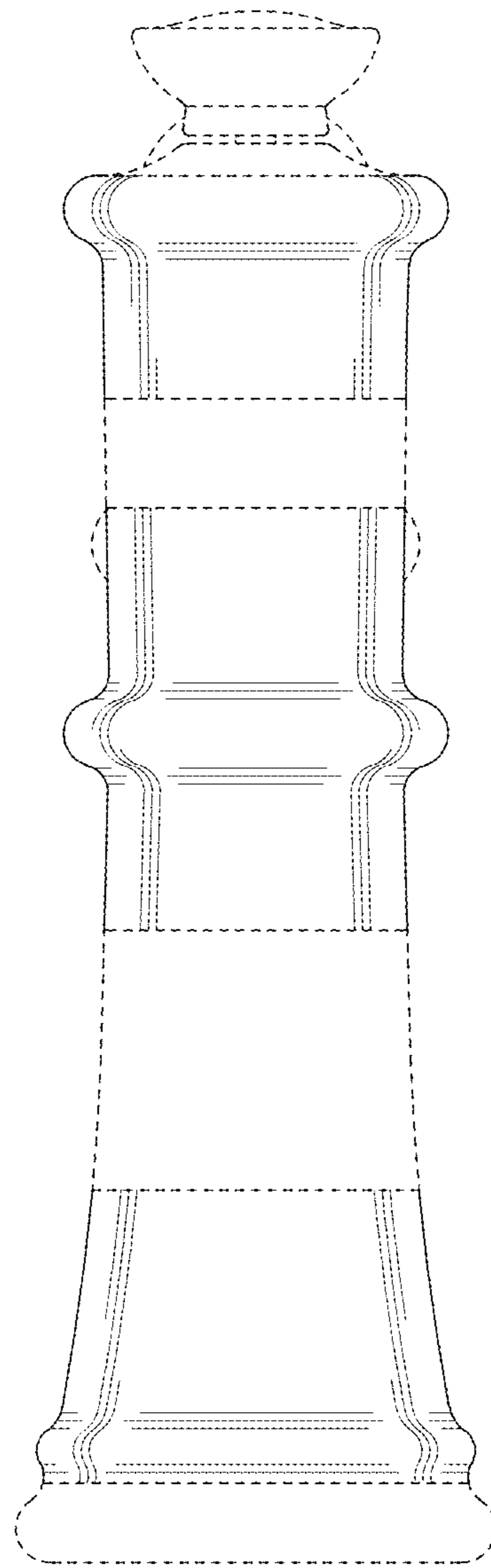


FIG. 13

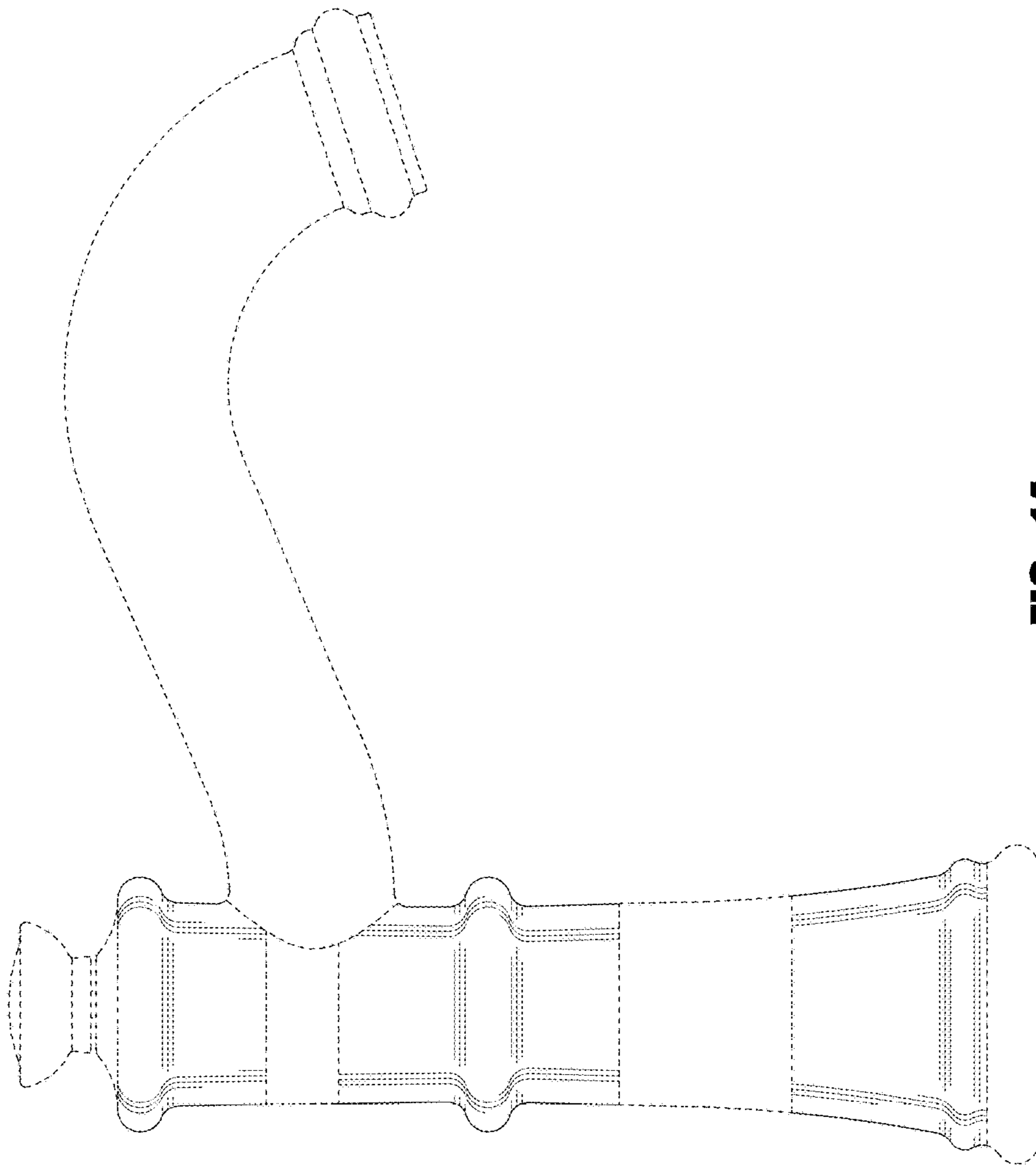


FIG. 14

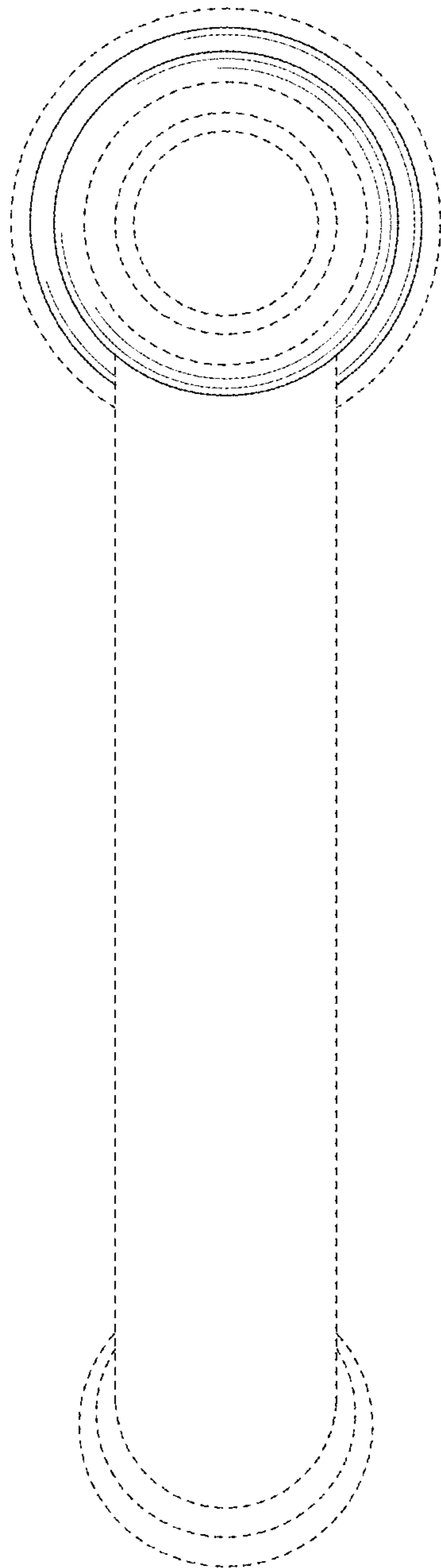


FIG. 15

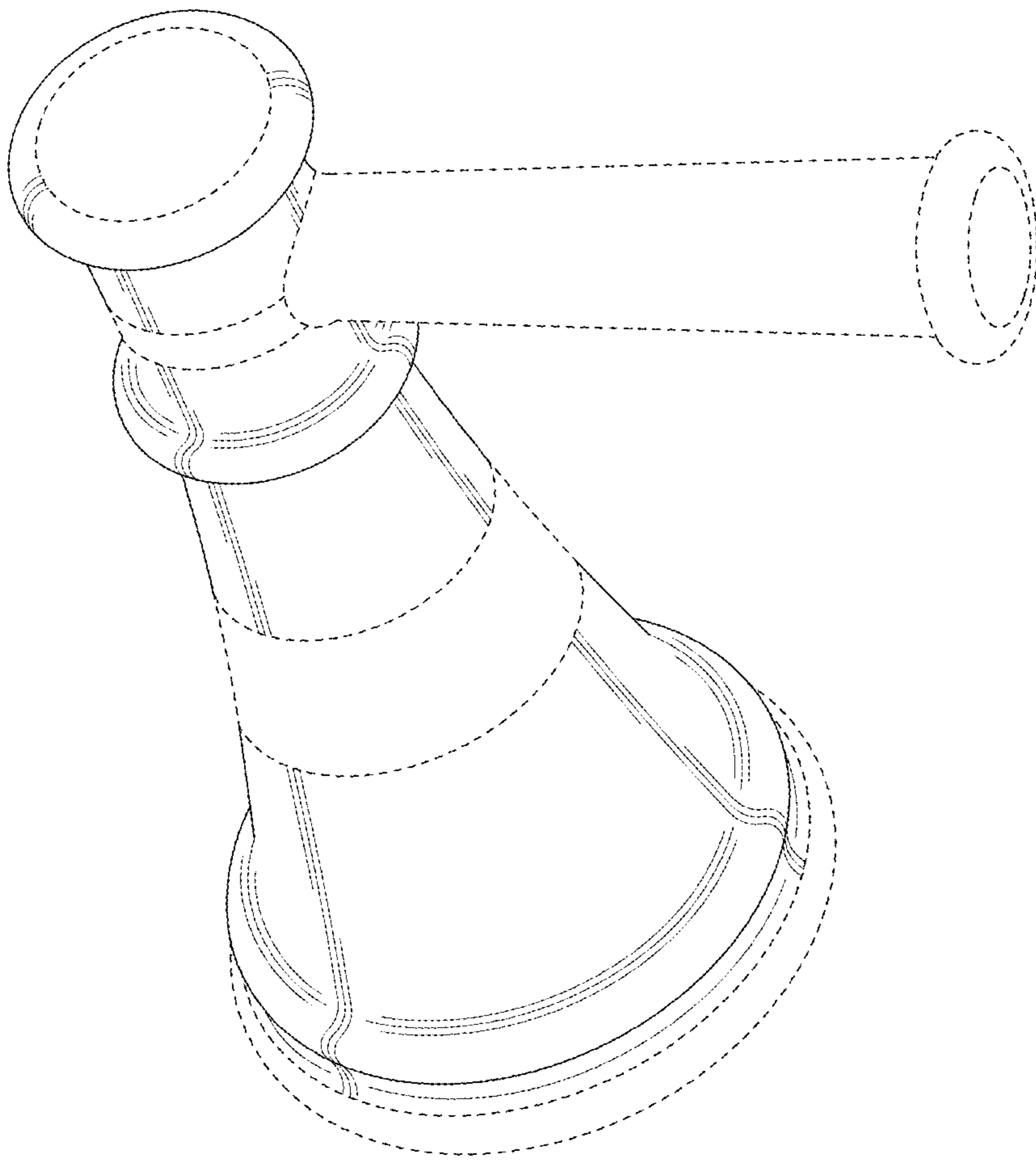


FIG. 16

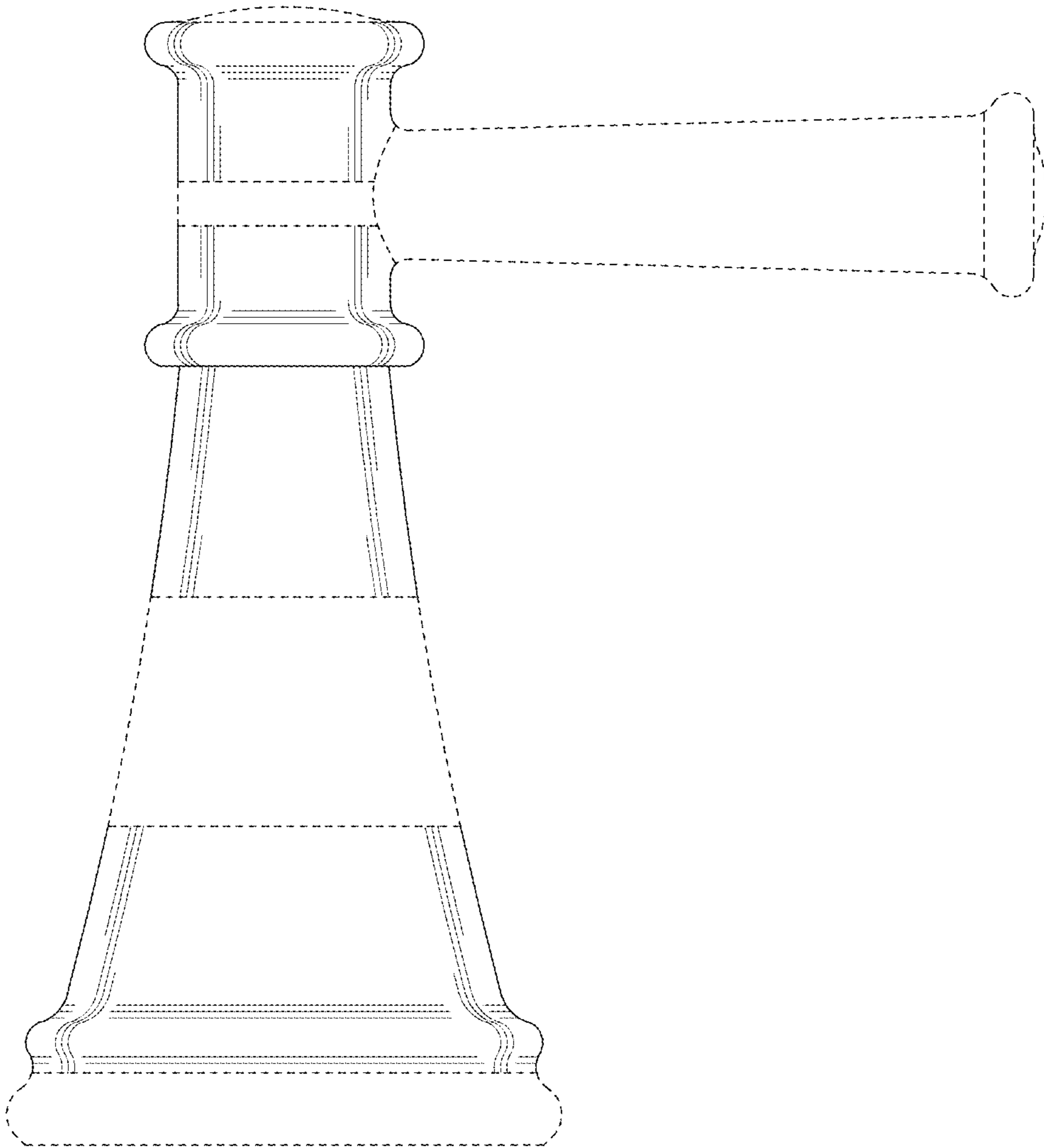


FIG. 17

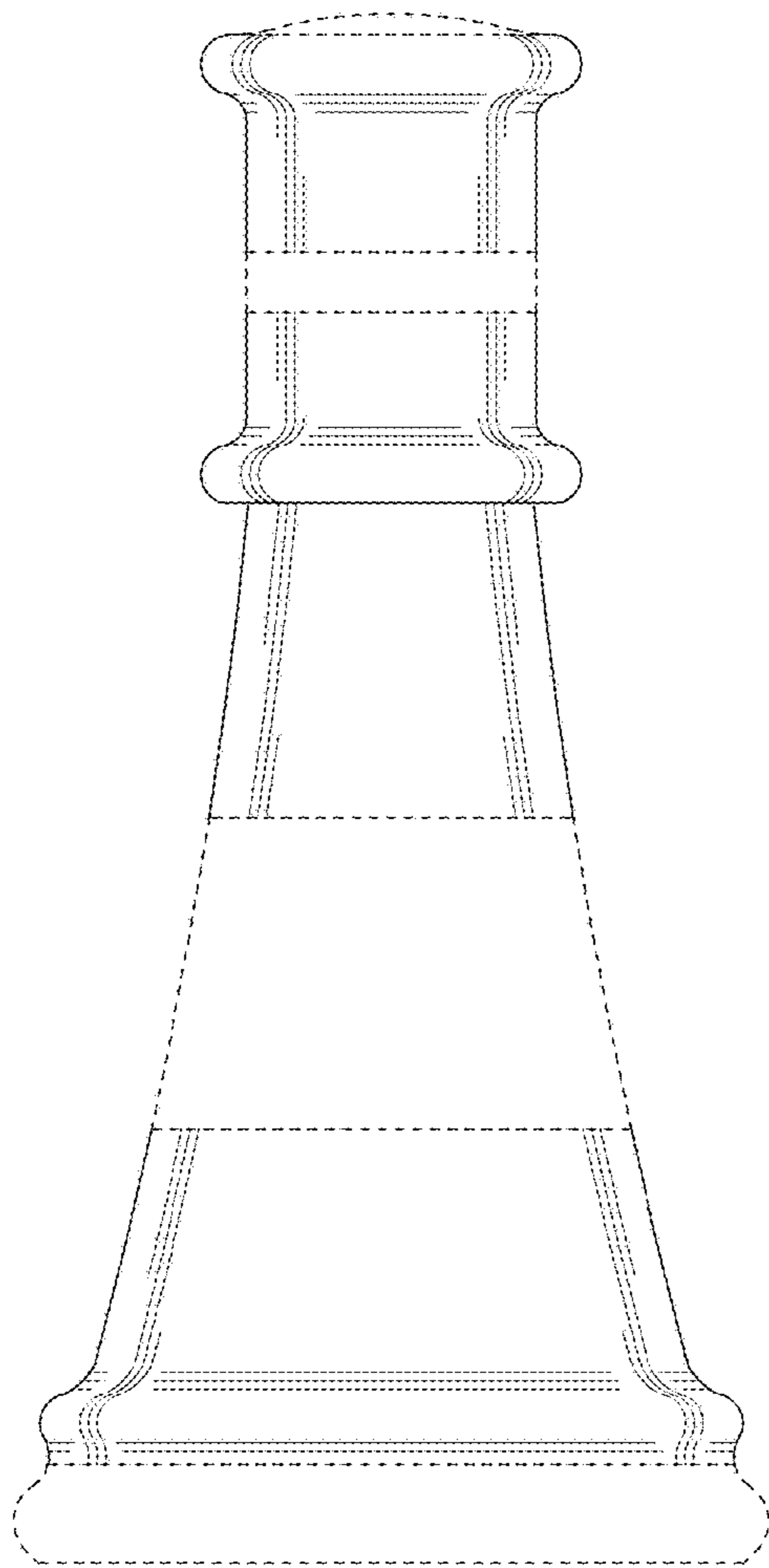


FIG. 18

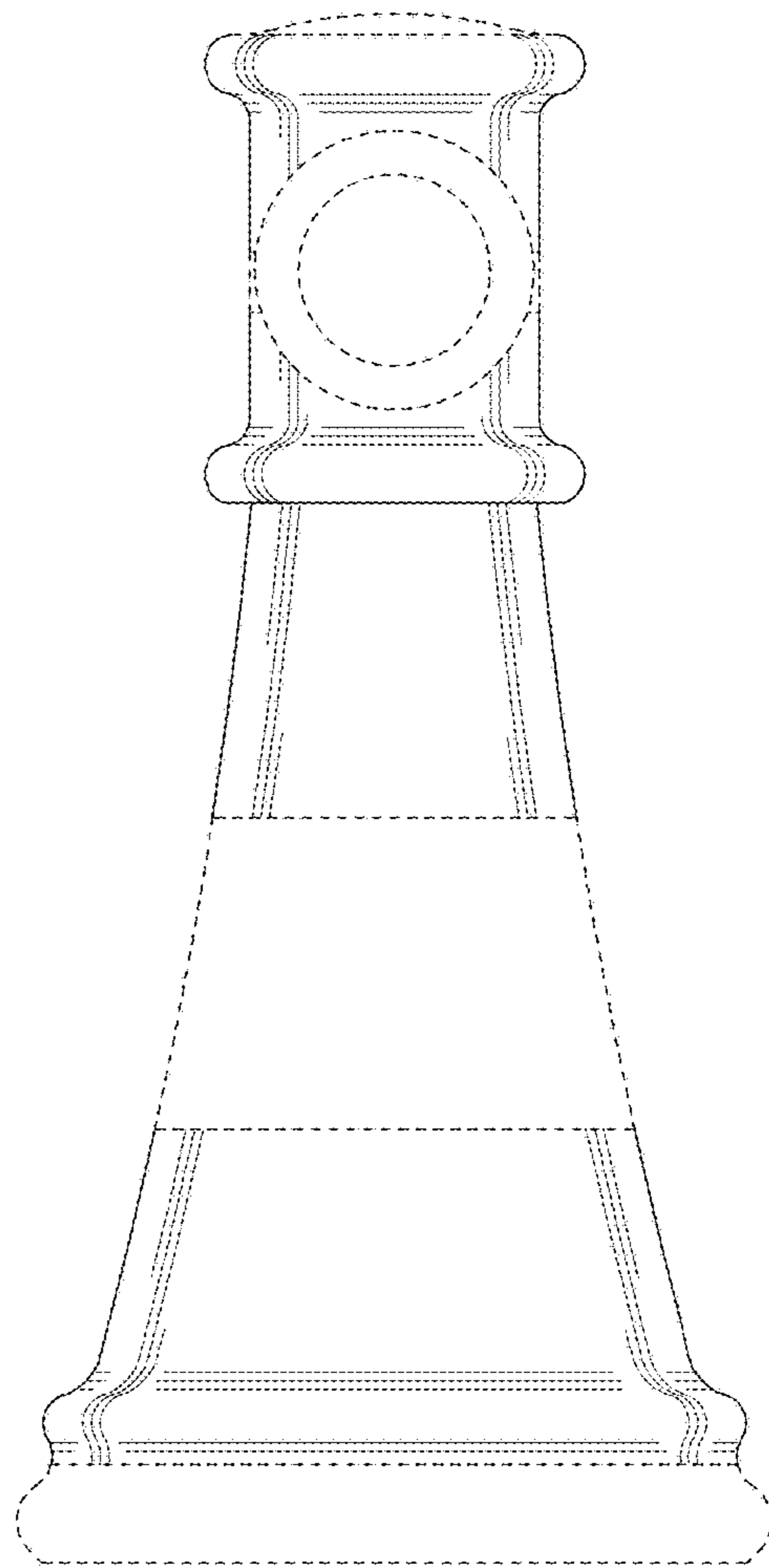


FIG. 19

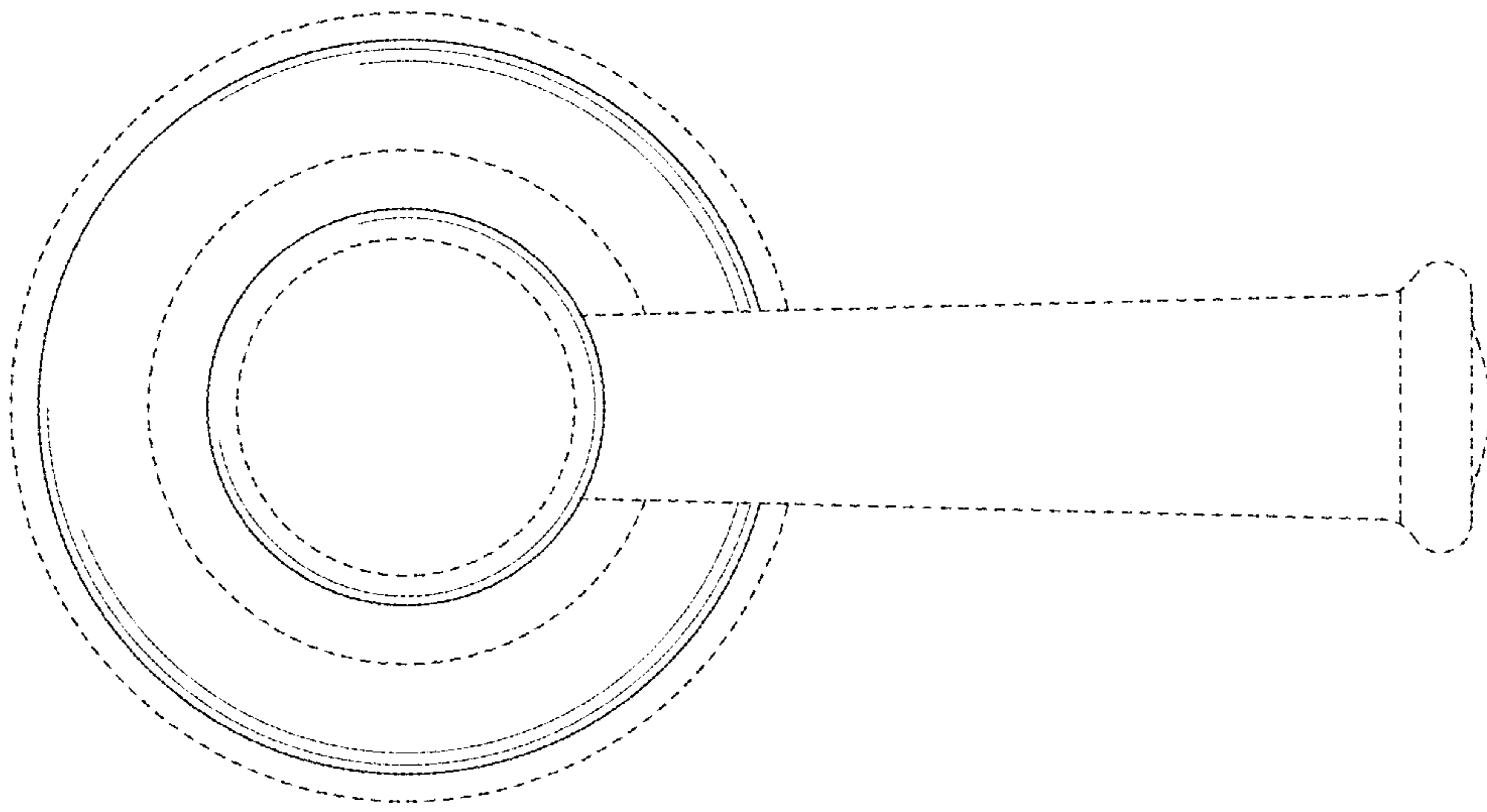


FIG. 20

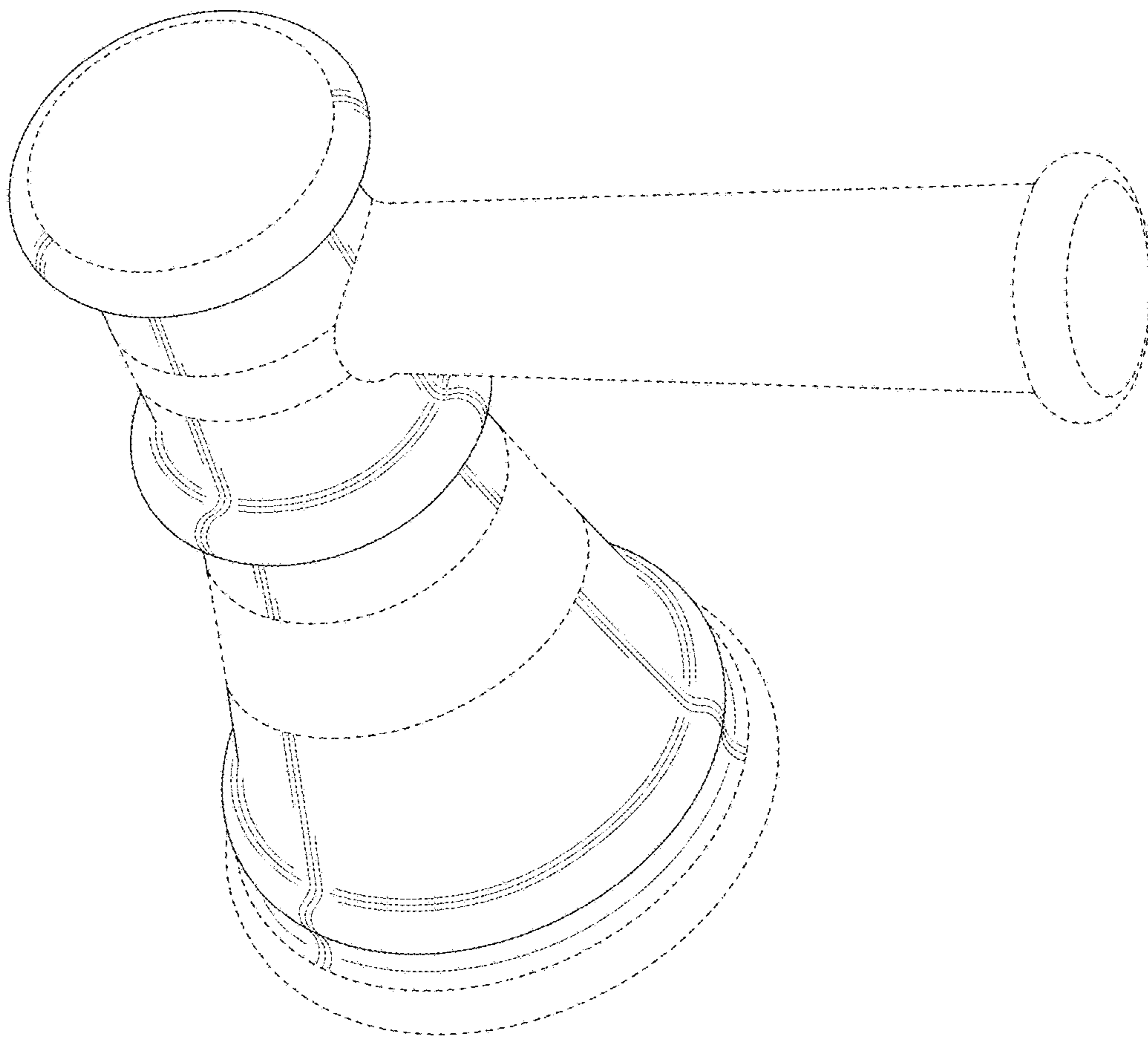


FIG. 21

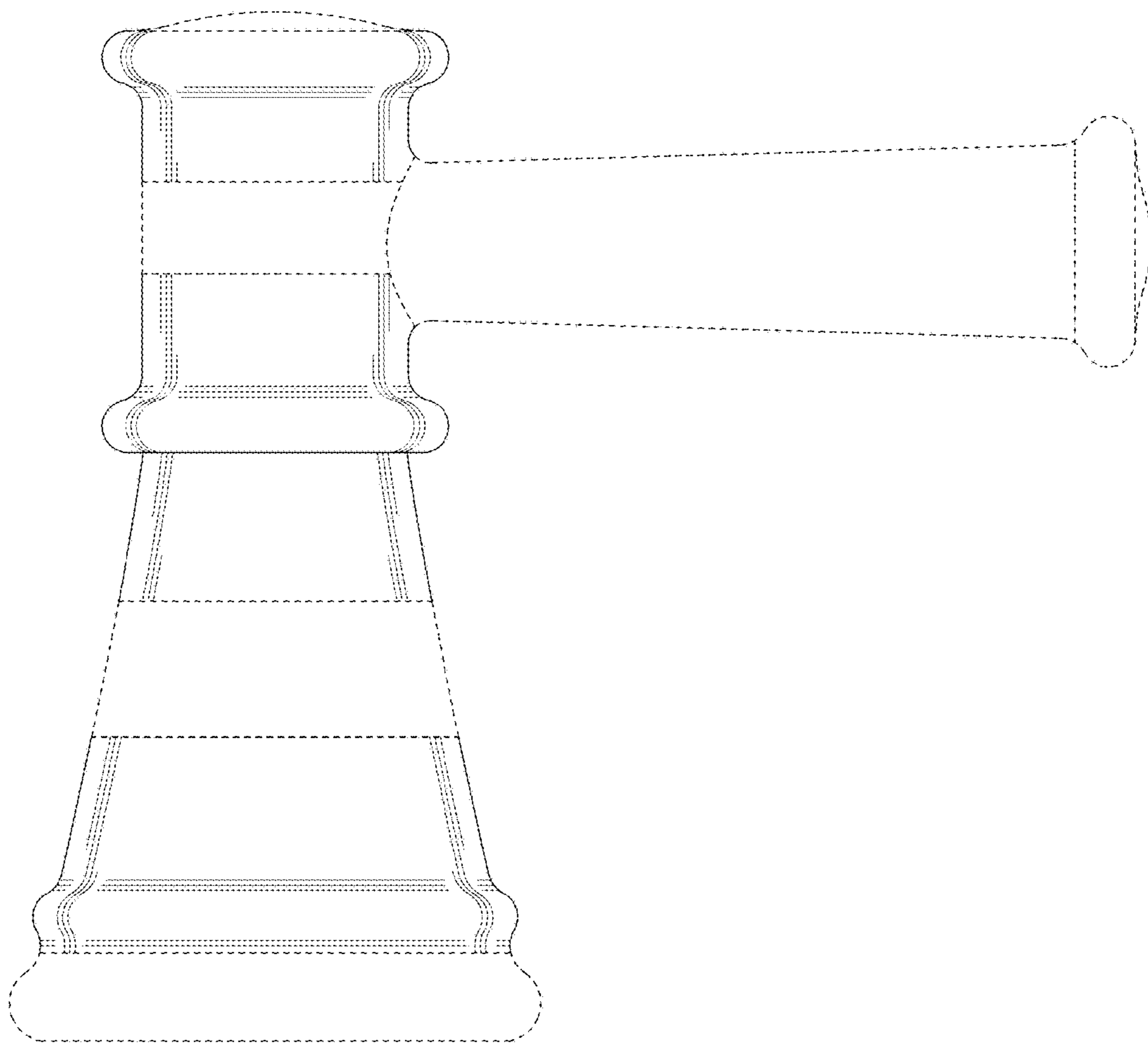


FIG. 22

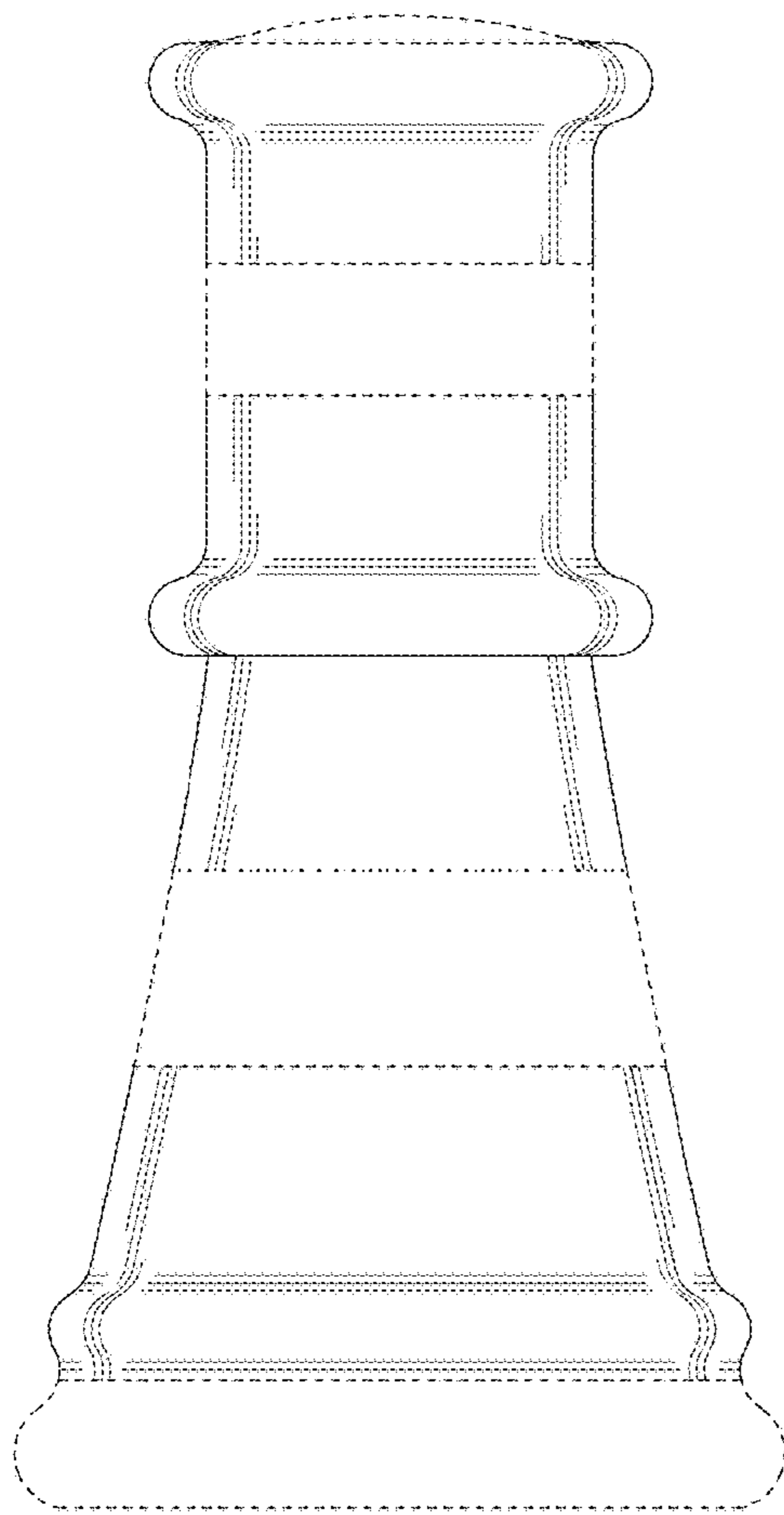


FIG. 23

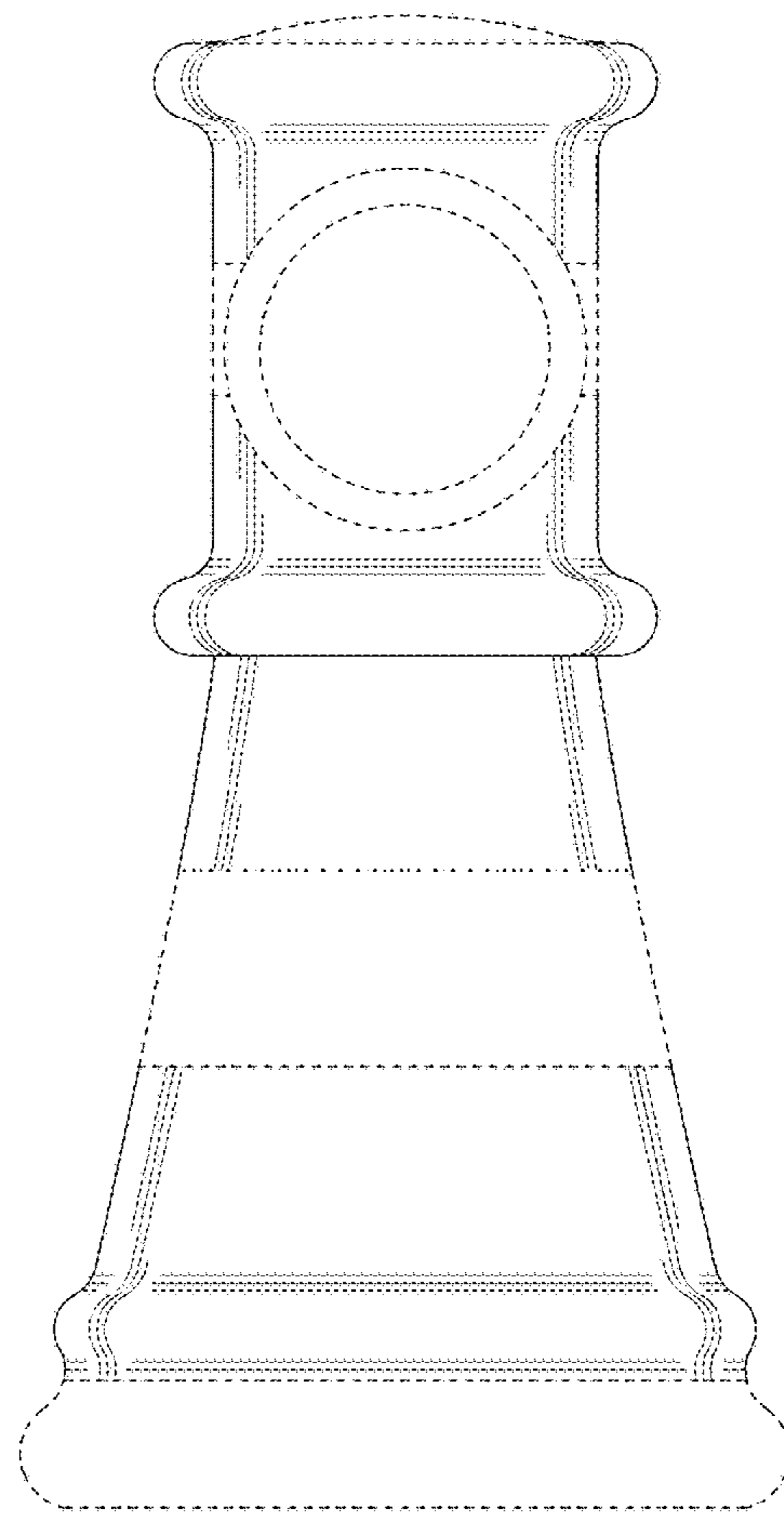


FIG. 24

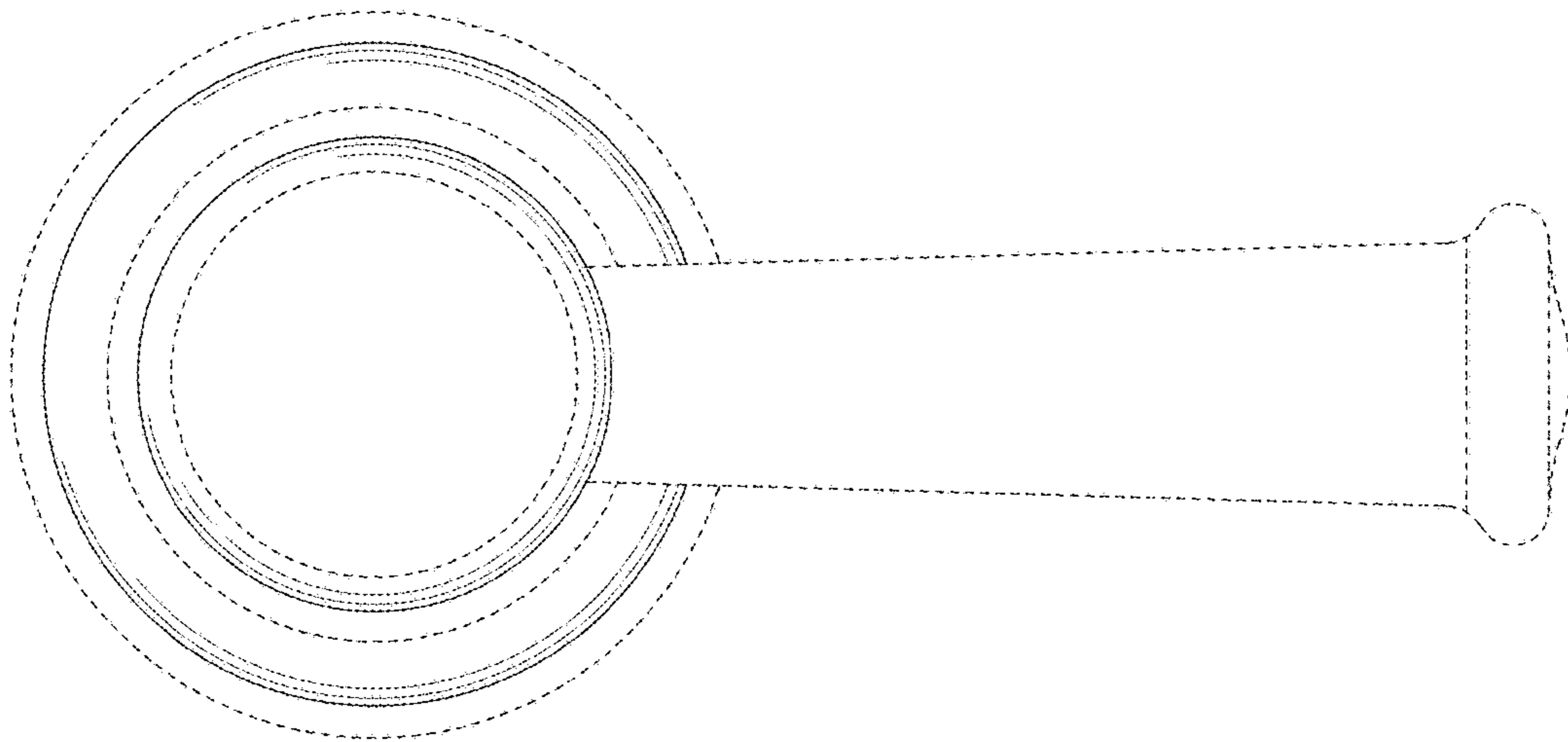


FIG. 25

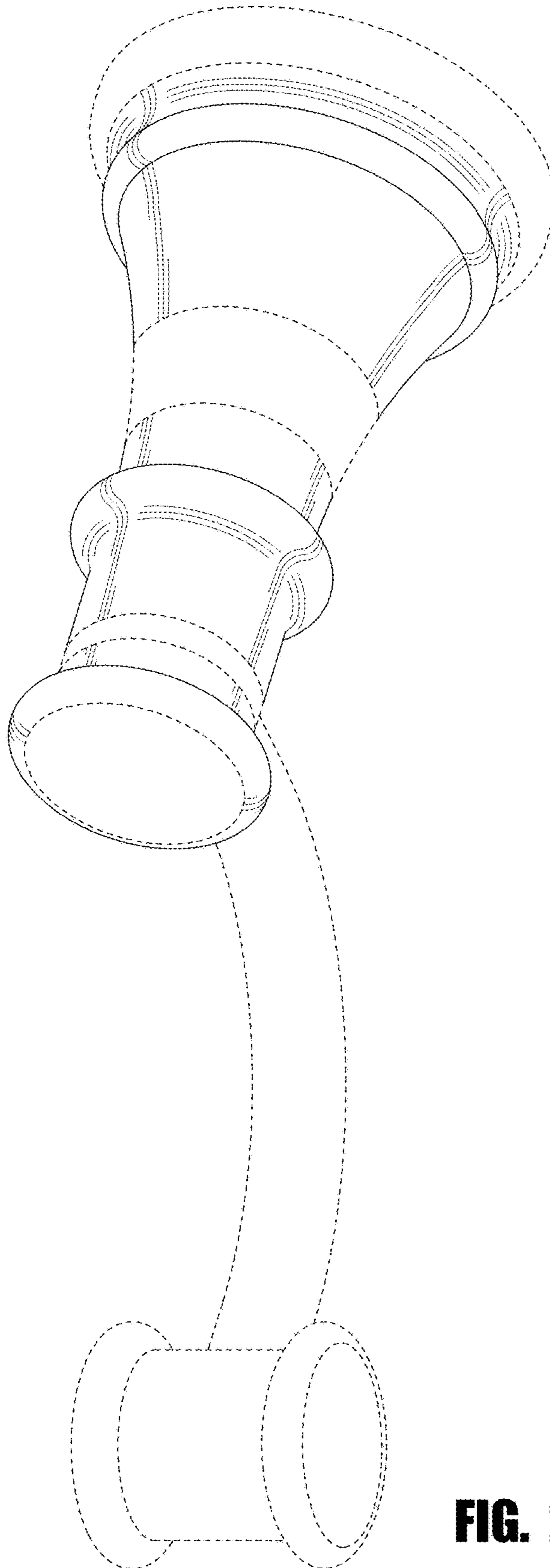


FIG. 26

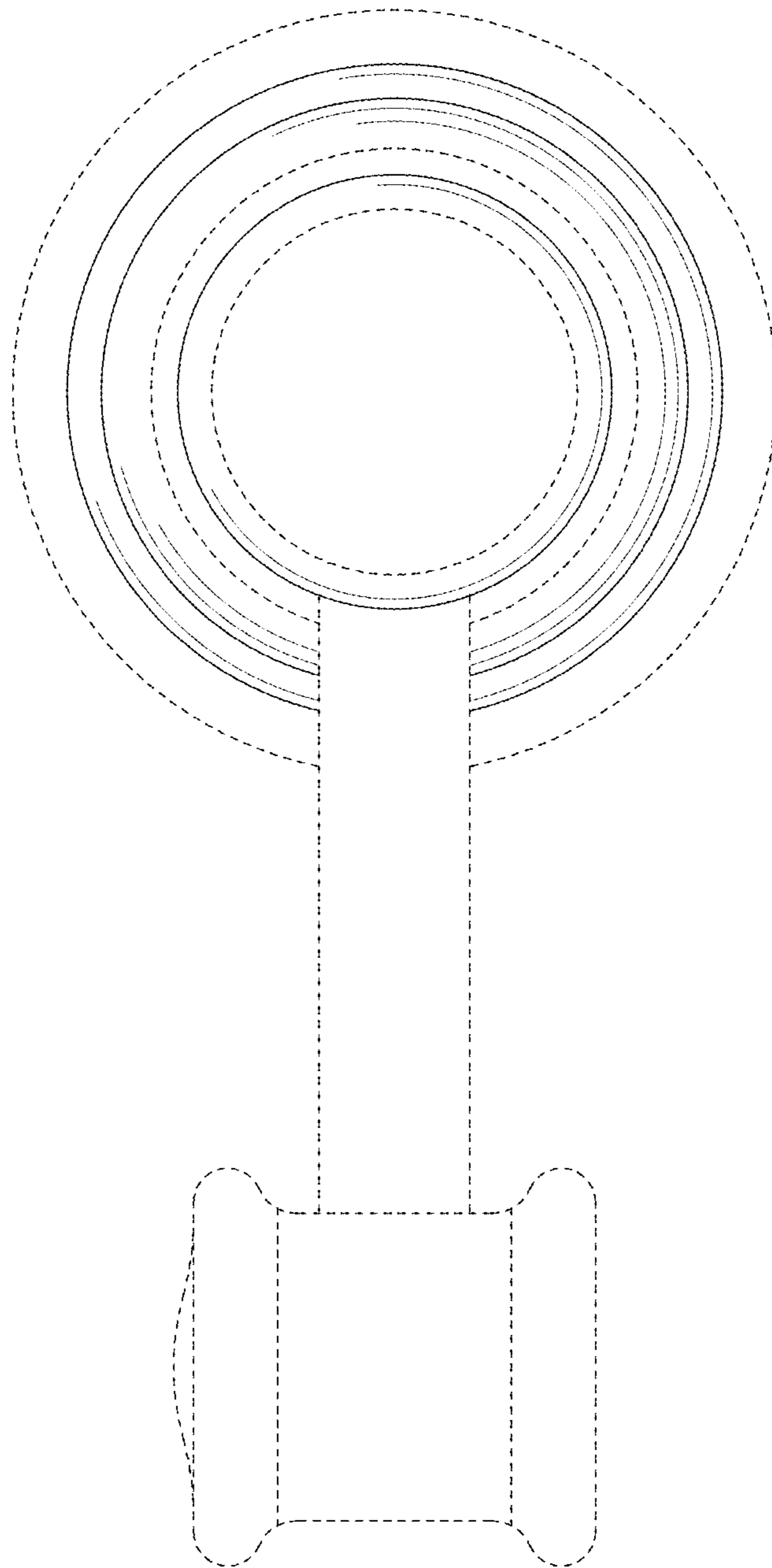


FIG. 27

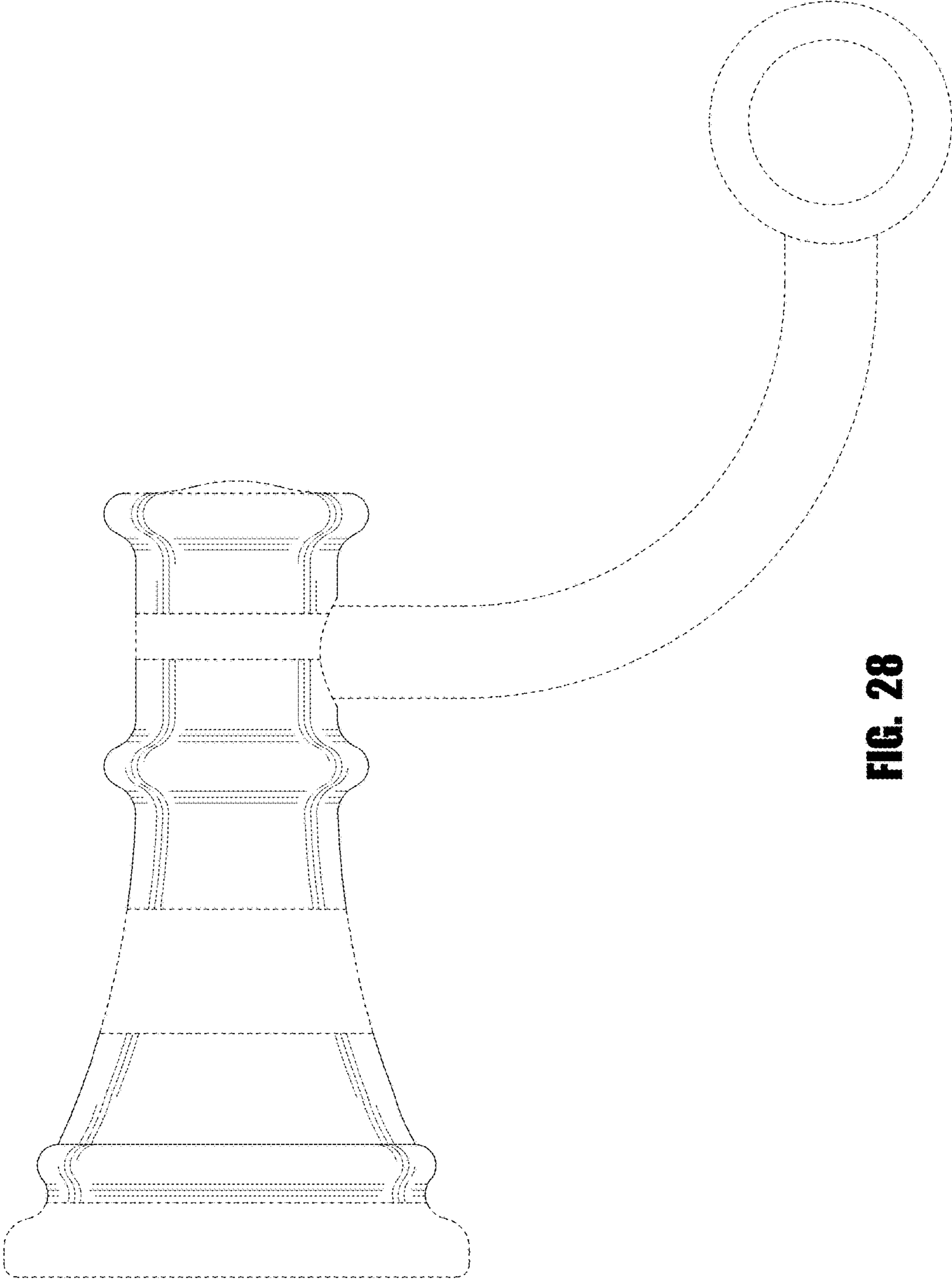


FIG. 28

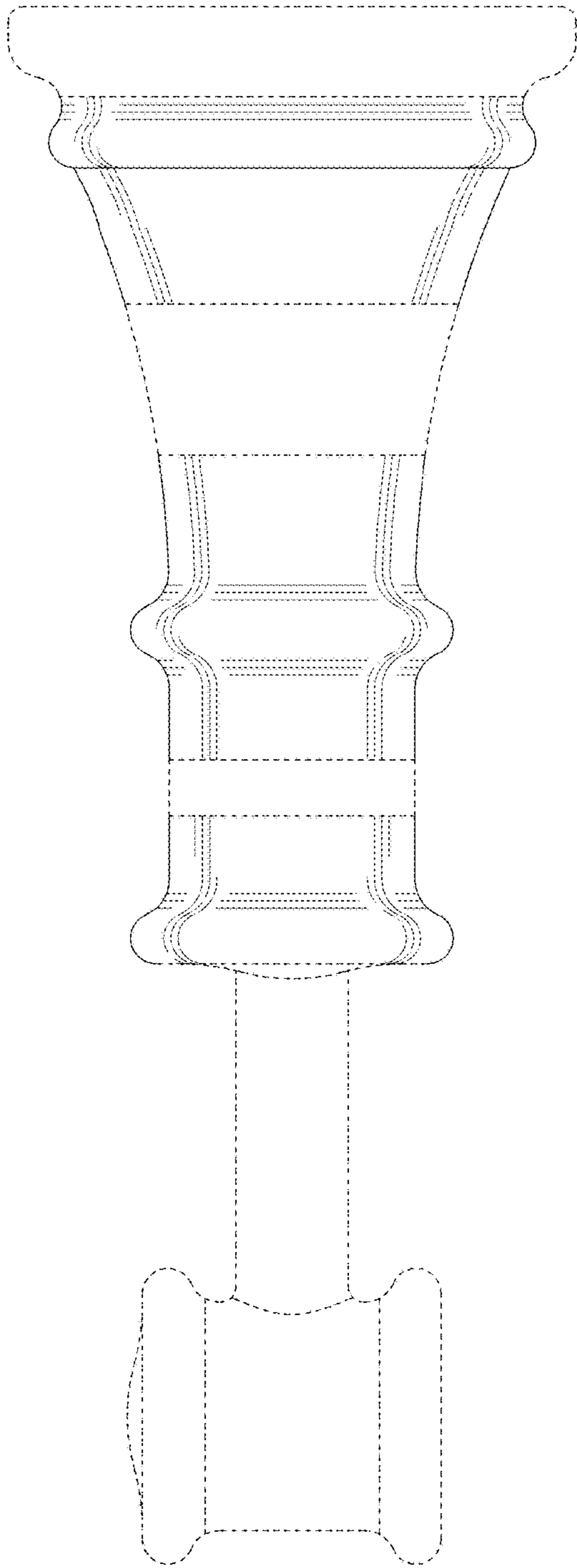


FIG. 29

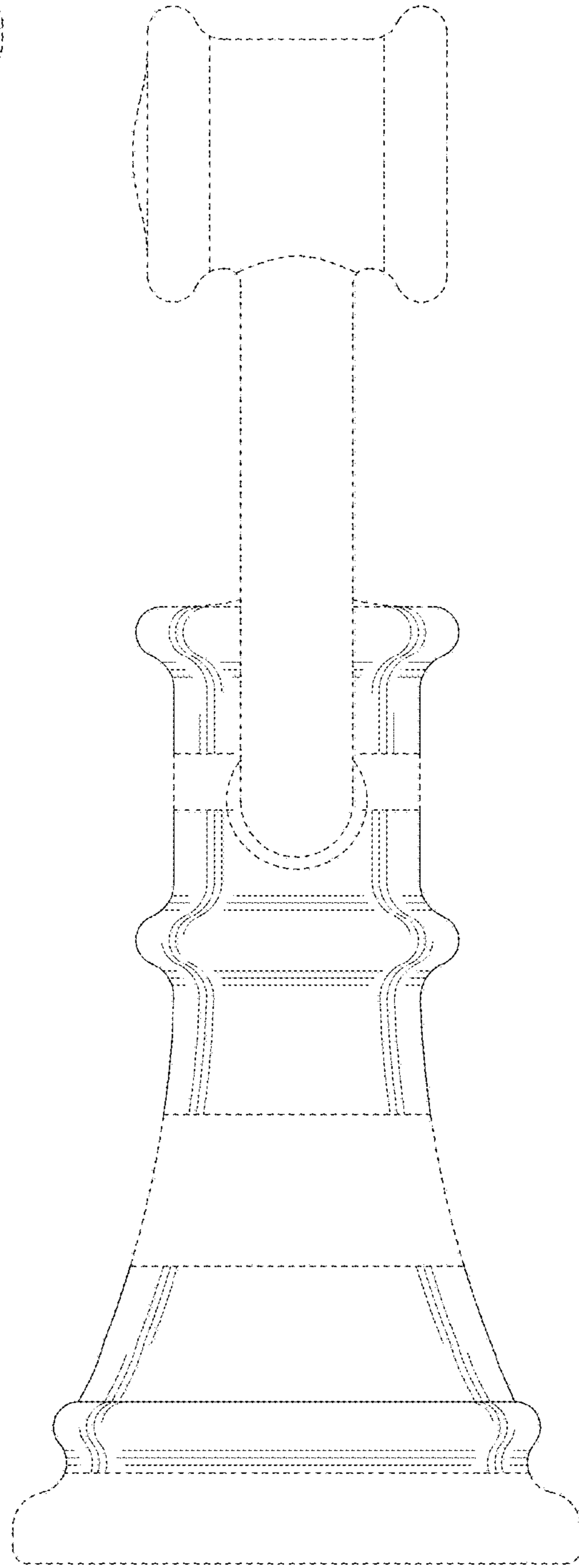


FIG. 30