



US00D838345S

(12) **United States Design Patent**
Thun et al.

(10) **Patent No.:** **US D838,345 S**

(45) **Date of Patent:** **** Jan. 15, 2019**

(54) **FAUCET**

(71) Applicant: **Fratelli Fantini S.p.A.**, Pella NO (IT)

(72) Inventors: **Matteo Thun**, Milan (IT); **Antonio Rodriguez**, Milan (IT)

(73) Assignee: **FRATELLI FANTINI S.P.A.**, Pella (IT)

(**) Term: **15 Years**

(21) Appl. No.: **29/580,541**

(22) Filed: **Oct. 11, 2016**

(30) **Foreign Application Priority Data**

Apr. 11, 2016 (EM) 003064252-0013

(51) **LOC (11) Cl.** **23-01**

(52) **U.S. Cl.**

USPC **D23/238**

(58) **Field of Classification Search**

USPC D23/238-242, 249, 255, 257

CPC Y10T 137/9464

See application file for complete search history.

(56) **References Cited**

U.S. PATENT DOCUMENTS

D581,016 S * 11/2008 Lin D23/238

D631,138 S * 1/2011 Yokoyama D23/255

D662,181 S * 6/2012 Thun D23/238

D666,695 S * 9/2012 Kulig D23/238

D689,170 S * 9/2013 Sieger D23/238

D799,642 S * 10/2017 Sieger D23/238

D809,628 S * 2/2018 Schoenherr D23/238

D809,629 S * 2/2018 Streng D23/240

D811,532 S * 2/2018 Schoenherr D23/238

D822,798 S * 7/2018 Sieger D23/255

* cited by examiner

Primary Examiner — Robert A Delehanty

(74) *Attorney, Agent, or Firm* — Nixon & Vanderhye P.C.

(57) **CLAIM**

The ornamental design for a faucet, as shown and described.

DESCRIPTION

FIG. 1 is a plan view of the bottom of the faucet showing my new design;

FIG. 2 is an elevational view of the rear thereof;

FIG. 3 is an elevational view of one side thereof;

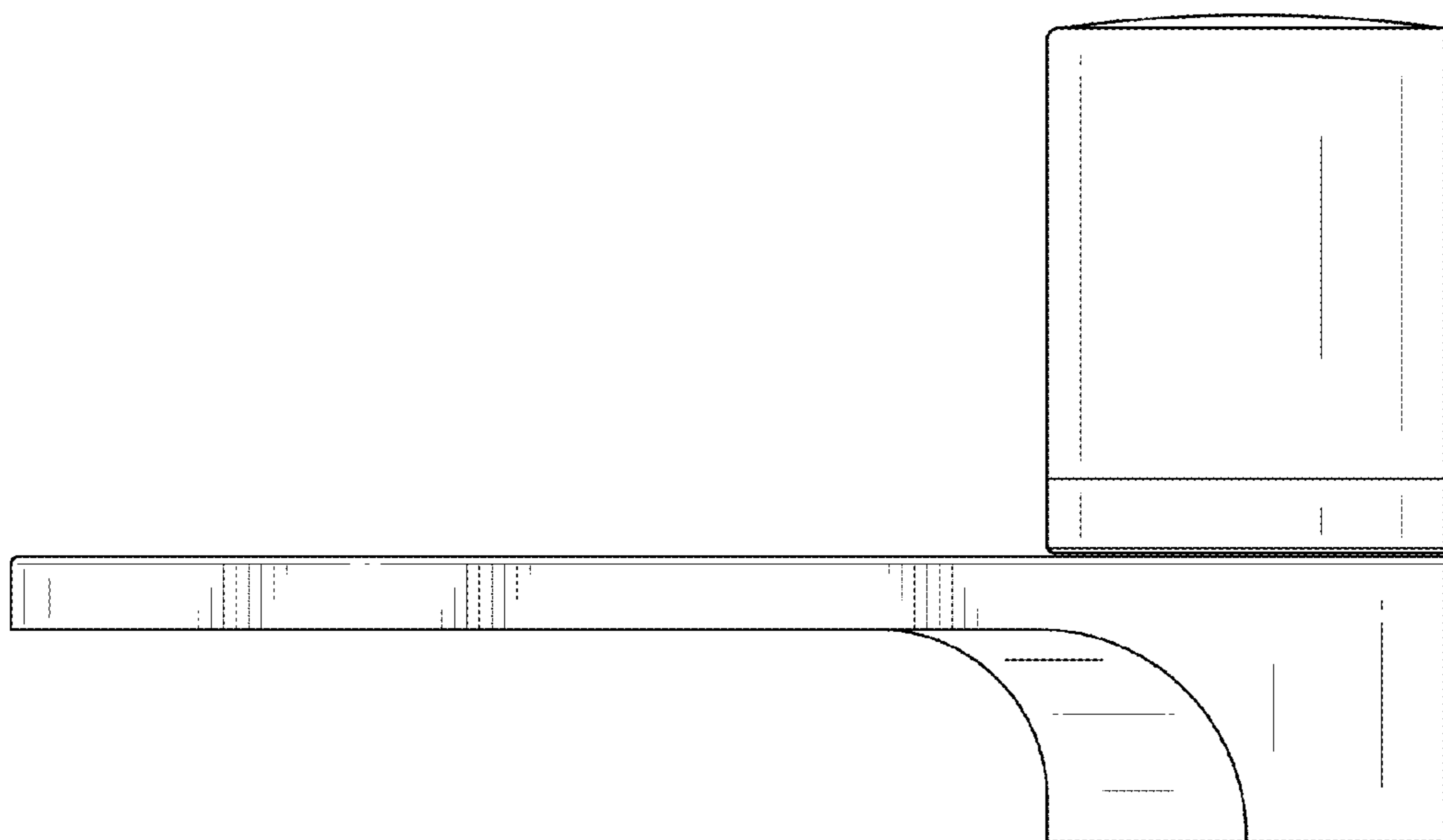
FIG. 4 is an elevational view of the front thereof; and

FIG. 5 is an elevational view of the other side thereof; and,

FIG. 6 is a plan view of the top thereof.

The broken lines represent portions of the article not claimed and form no part of the claimed design.

1 Claim, 6 Drawing Sheets



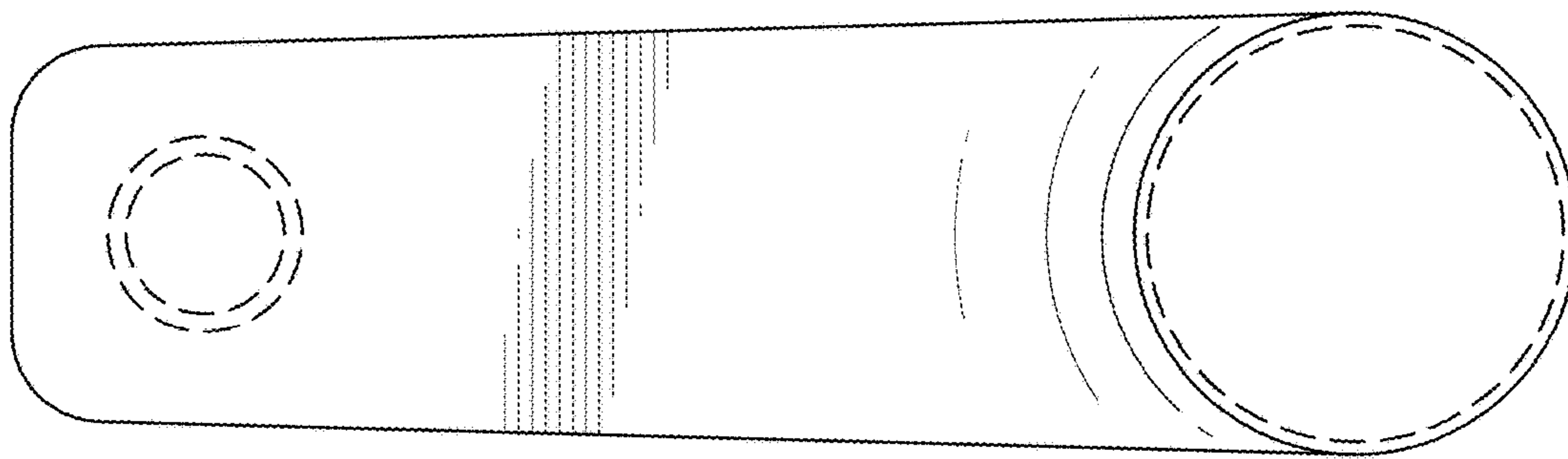


Fig. 1

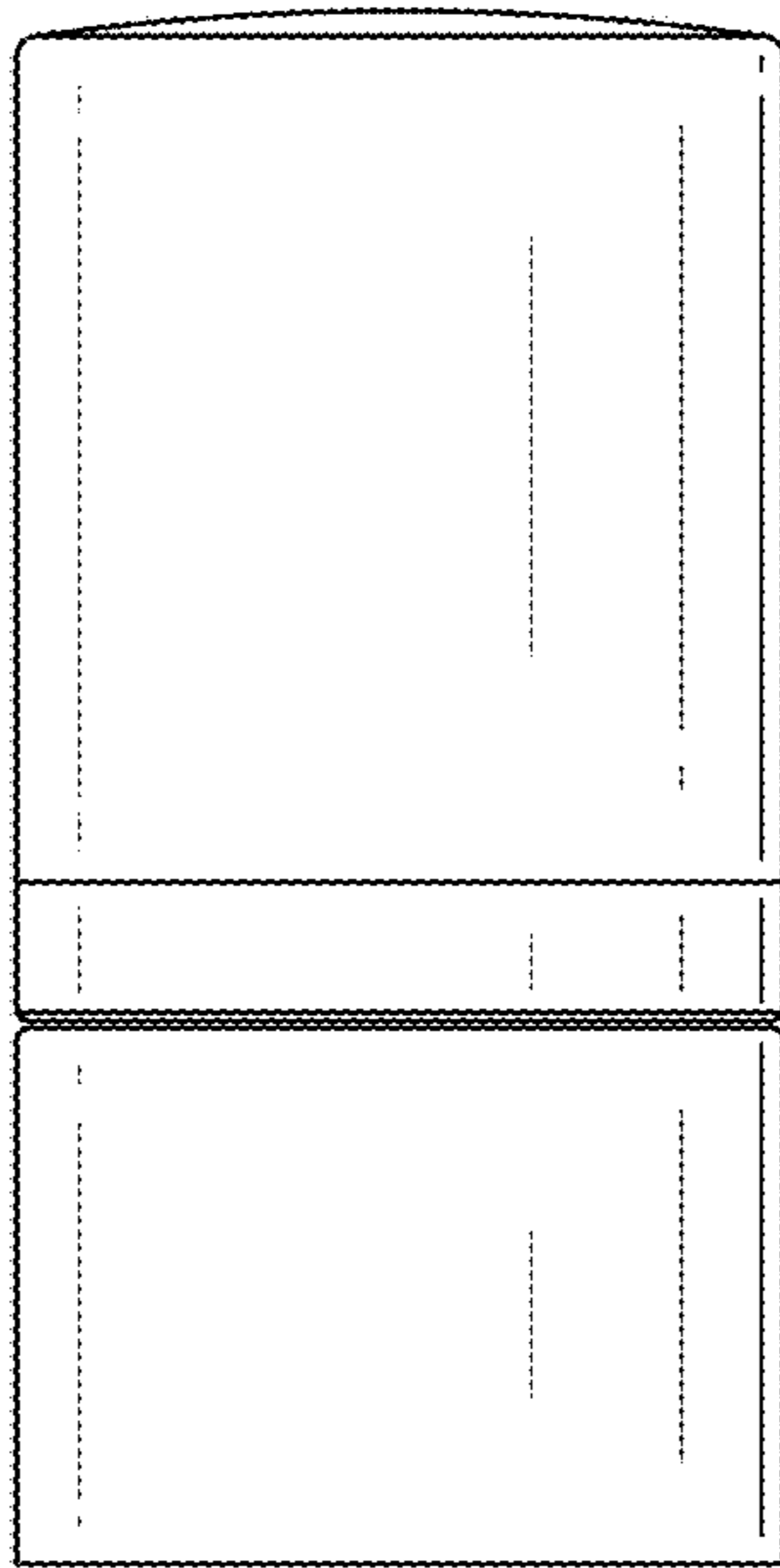


Fig. 2

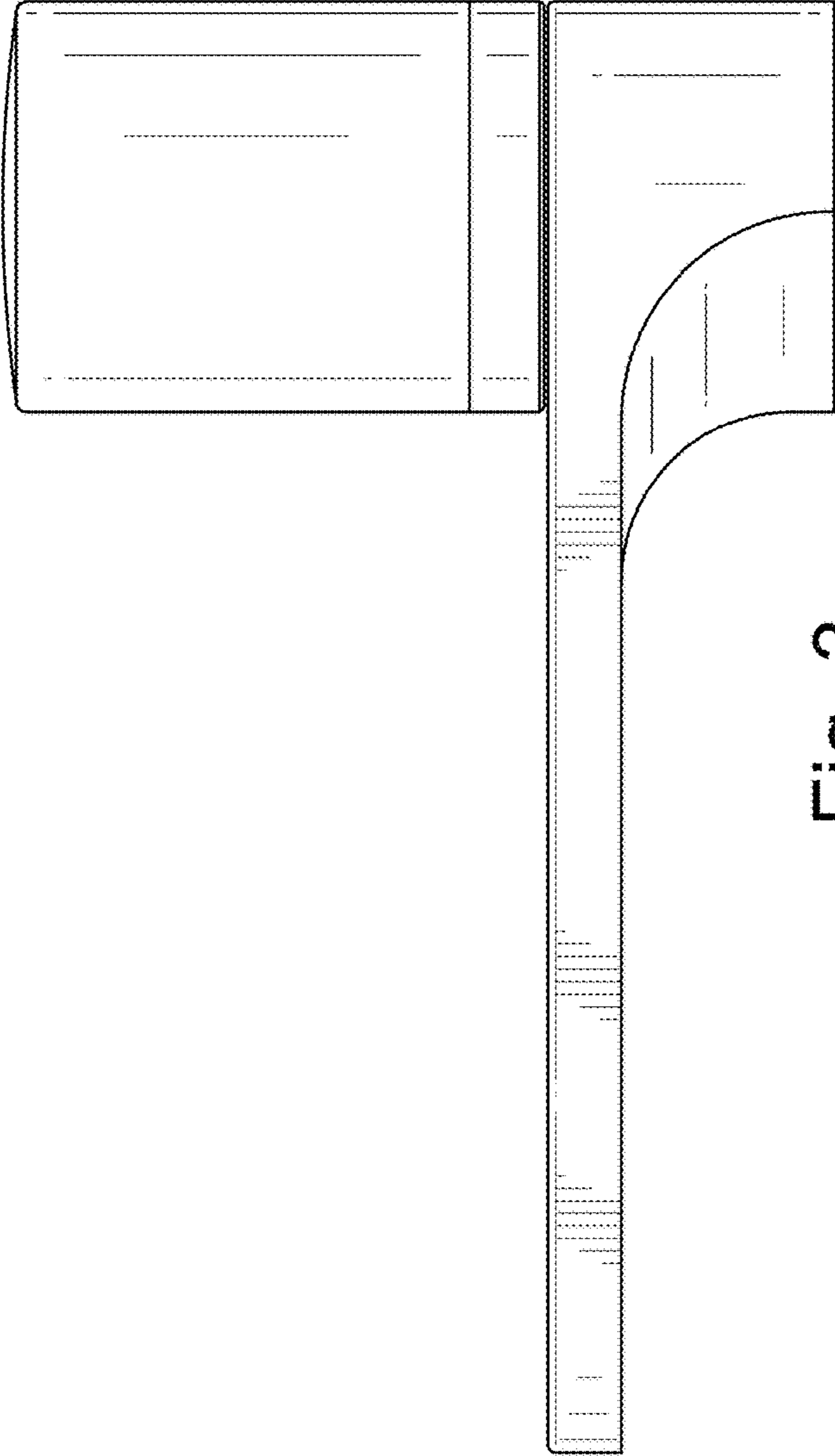


Fig. 3

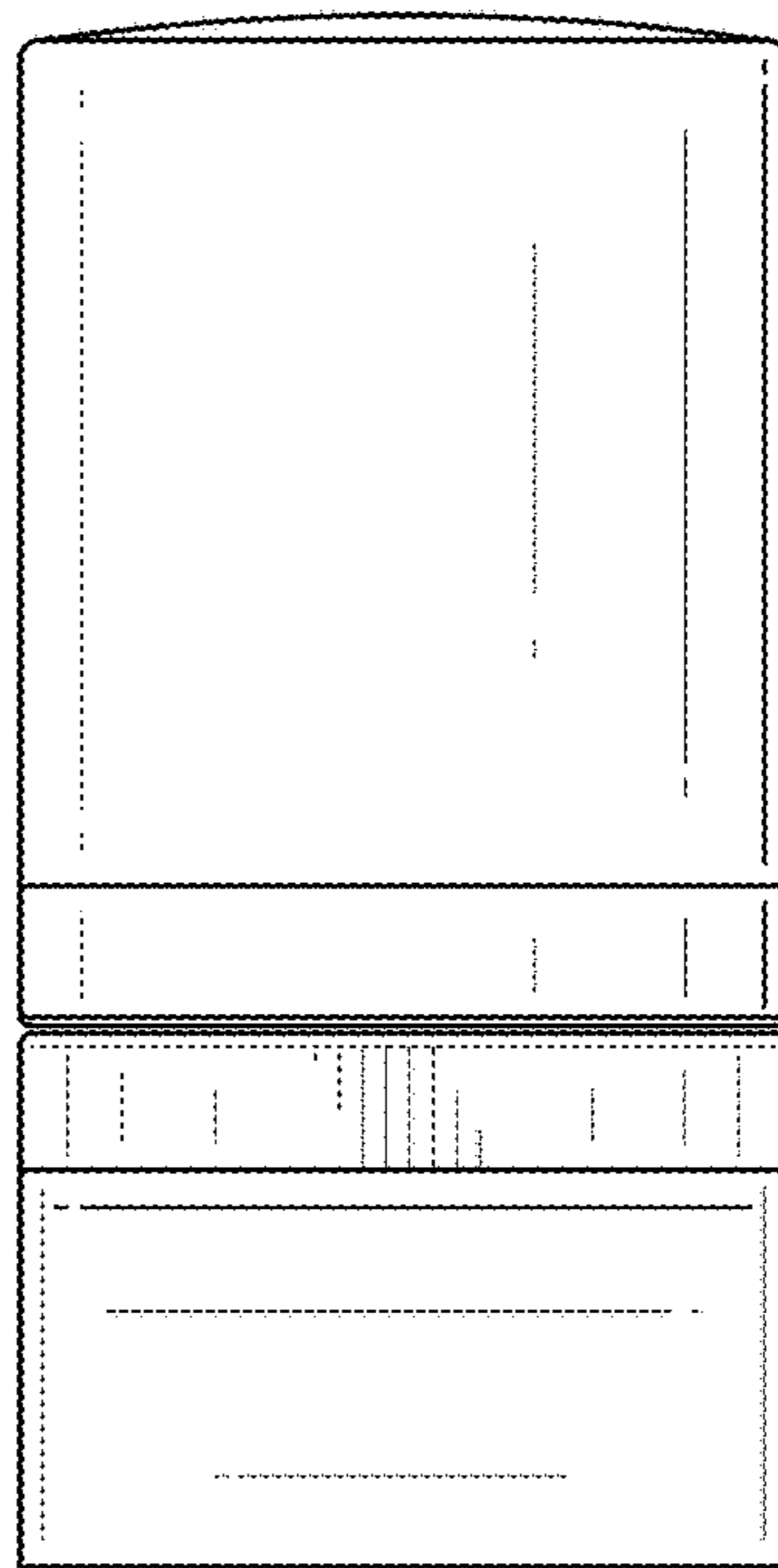


Fig. 4

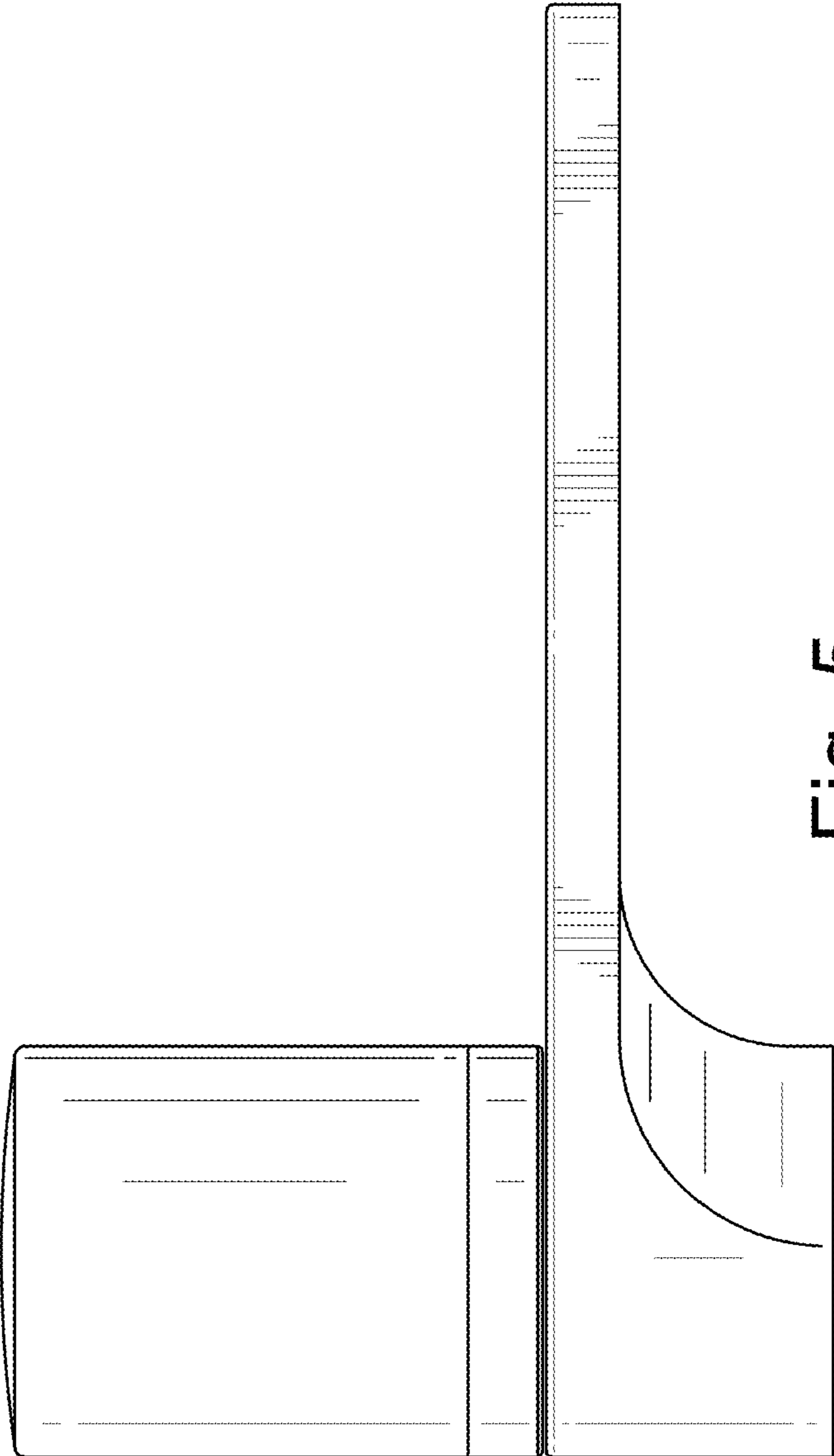


Fig. 5

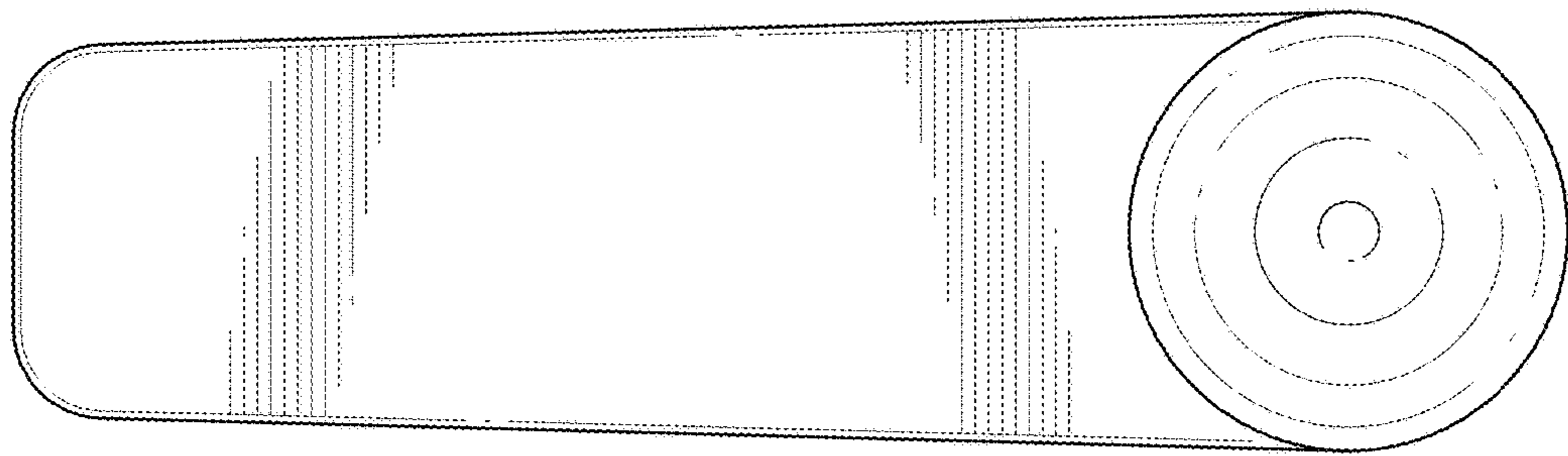


Fig. 6