



US00D838341S

(12) **United States Design Patent**  
**Svendsen et al.**

(10) **Patent No.:** **US D838,341 S**

(45) **Date of Patent:** **\*\* Jan. 15, 2019**

(54) **NOZZLE**

(71) Applicant: **MELNOR, INC.**, Winchester, VA (US)

(72) Inventors: **Sean Wesley Svendsen**, Columbus, OH (US); **Donald Collins Meves**, Columbus, OH (US); **Eric James Fickas**, Plain City, OH (US)

(73) Assignee: **MELNOR, INC.**, Winchester, VA (US)

(\*\*) Term: **15 Years**

(21) Appl. No.: **29/598,179**

(22) Filed: **Mar. 23, 2017**

(51) **LOC (11) Cl.** ..... **23-01**

(52) **U.S. Cl.**  
USPC ..... **D23/226**

(58) **Field of Classification Search**  
USPC ..... D23/213, 223, 226; D8/2; 239/532  
CPC ..... B05B 15/061; B05B 1/00; B05B 5/00;  
B05B 1/005; B05B 3/00; B05B 9/01;  
B05B 7/1209  
See application file for complete search history.

(56) **References Cited**

**U.S. PATENT DOCUMENTS**

D355,953 S \* 2/1995 Wang ..... D23/223  
D475,762 S \* 6/2003 Kuo ..... D23/226

D475,763 S \* 6/2003 Kuo ..... D23/226  
D517,645 S \* 3/2006 Chang ..... D23/226  
D766,400 S \* 9/2016 Chen ..... D23/226  
D769,415 S \* 10/2016 Chen ..... D23/226  
D770,017 S \* 10/2016 Chen ..... D23/226  
D779,040 S \* 2/2017 Chen ..... D23/226  
D779,634 S \* 2/2017 Chen ..... D23/226

\* cited by examiner

*Primary Examiner* — Robin V Webster

(74) *Attorney, Agent, or Firm* — Westerman, Hattori, Daniels & Adrian, LLP

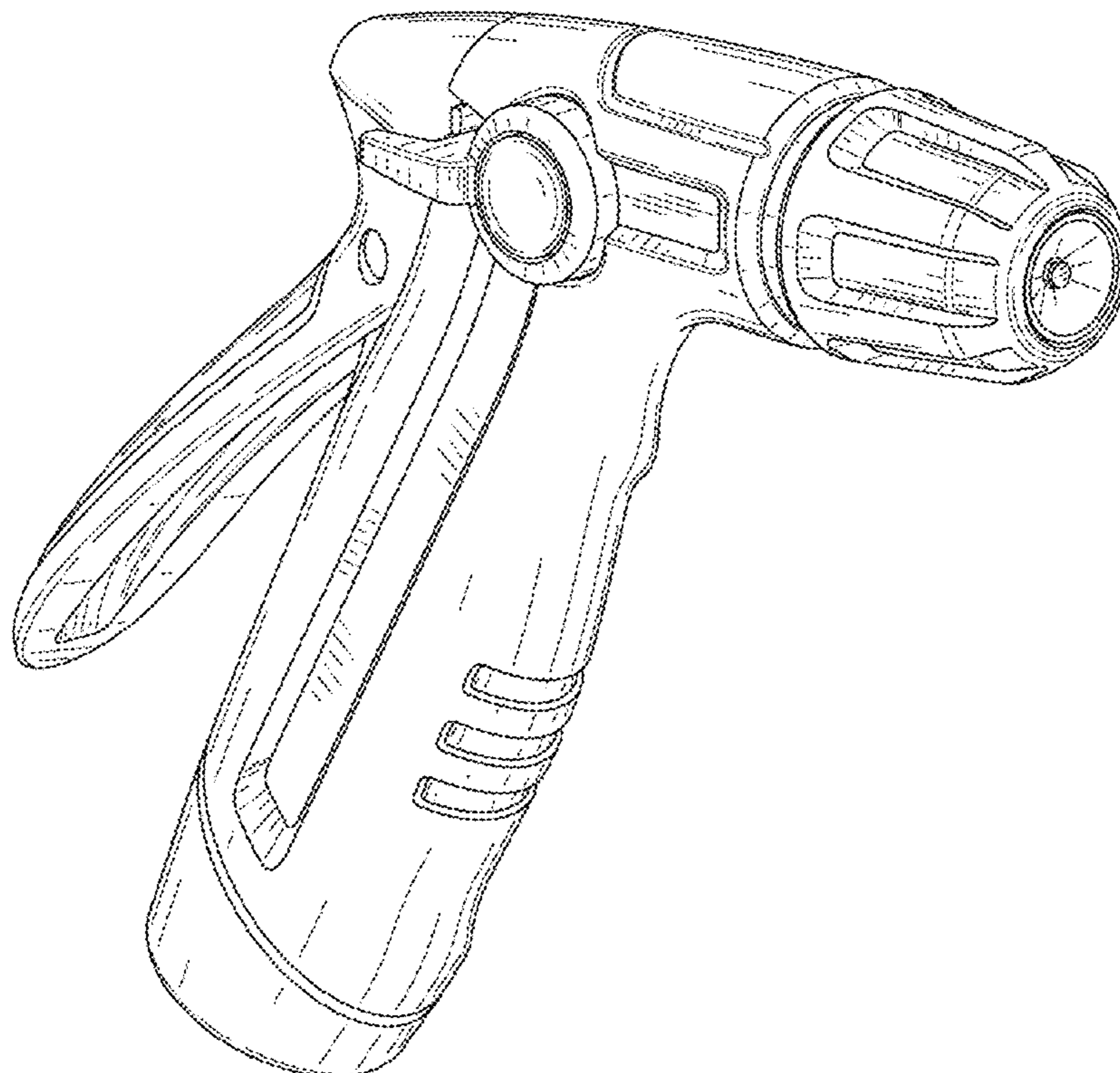
(57) **CLAIM**

The ornamental design for a nozzle, as shown and described.

**DESCRIPTION**

FIG. 1 is a rear perspective view of a nozzle showing our new design;  
FIG. 2 is a front perspective view thereof;  
FIG. 3 is a front elevational view thereof;  
FIG. 4 is a rear elevational view thereof;  
FIG. 5 is a right side elevational view thereof;  
FIG. 6 is a left side elevational view thereof;  
FIG. 7 is a top plan view thereof; and,  
FIG. 8 is a bottom plan view thereof.

**1 Claim, 6 Drawing Sheets**



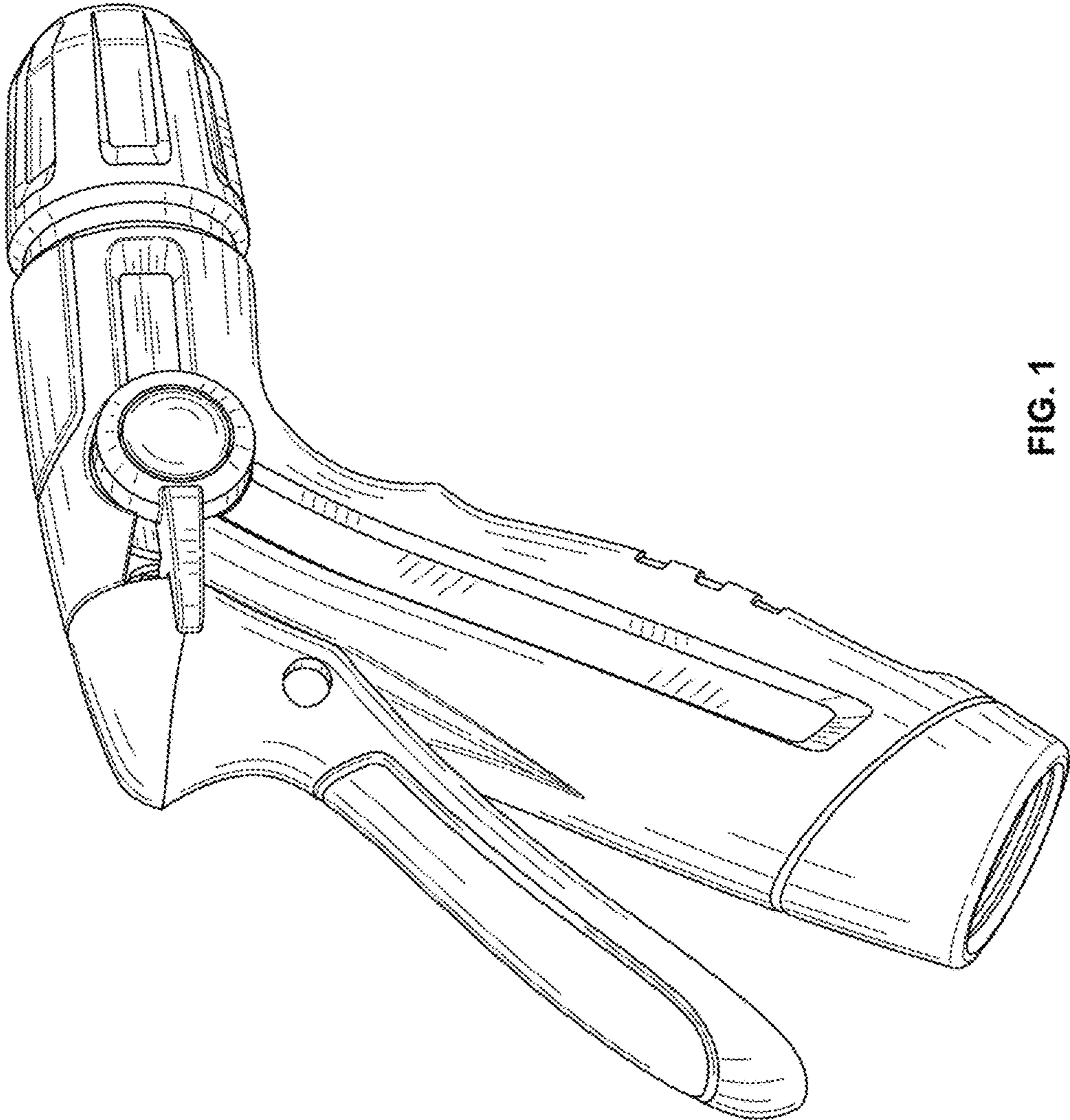


FIG. 1

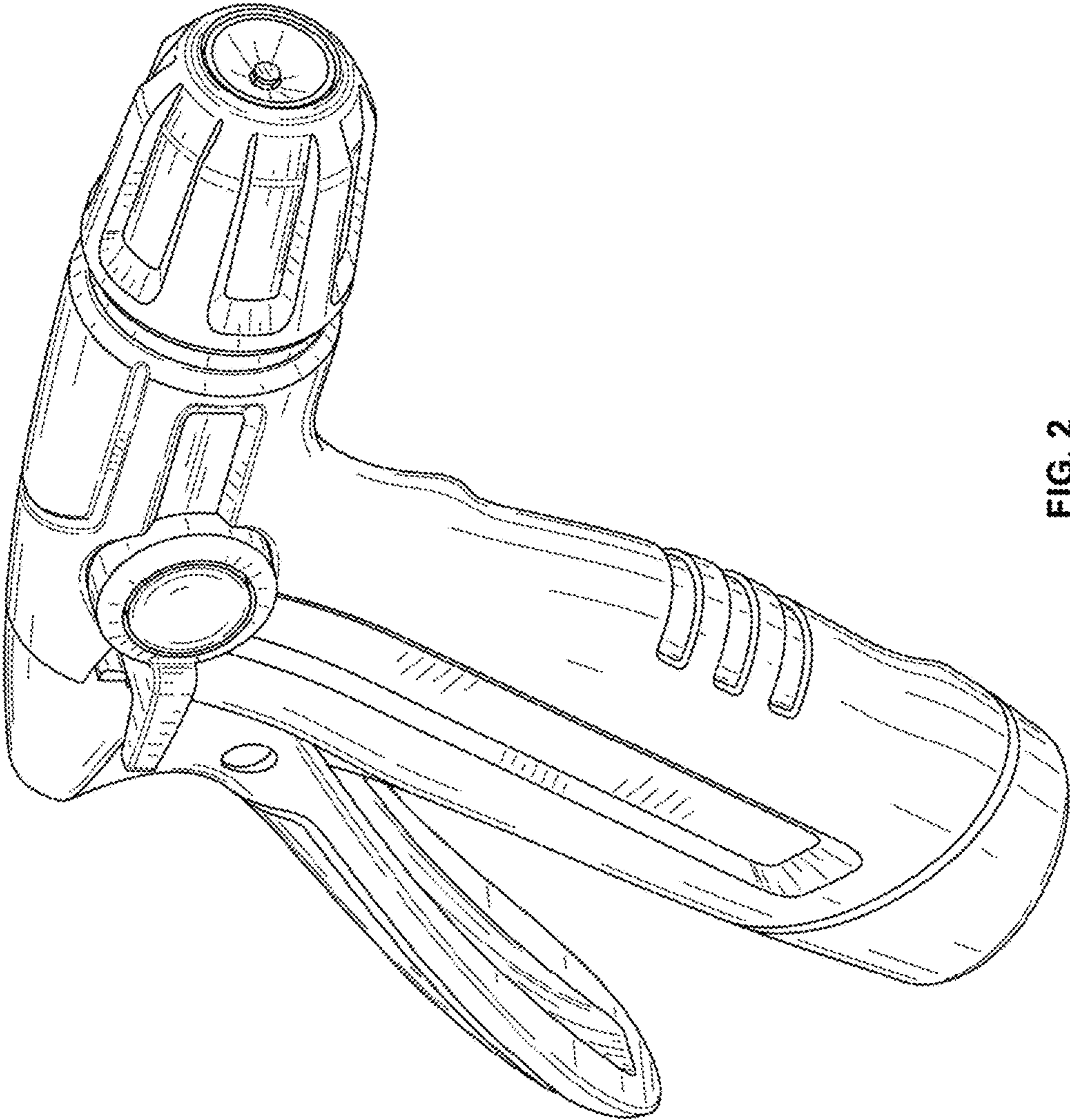


FIG. 2

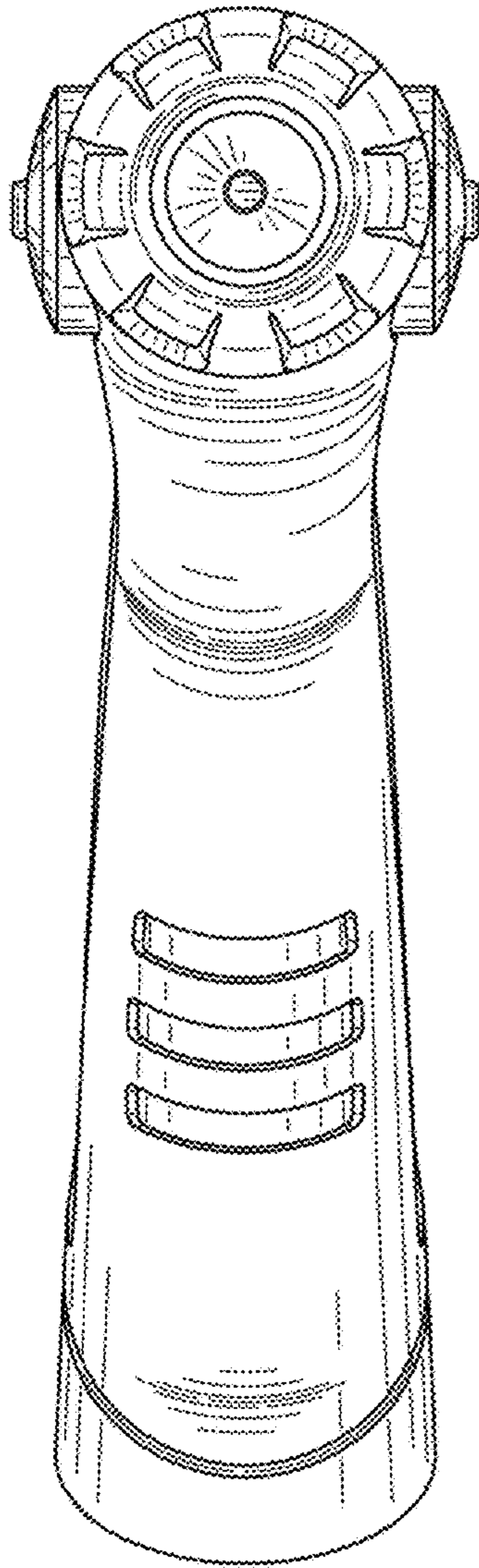


FIG. 3

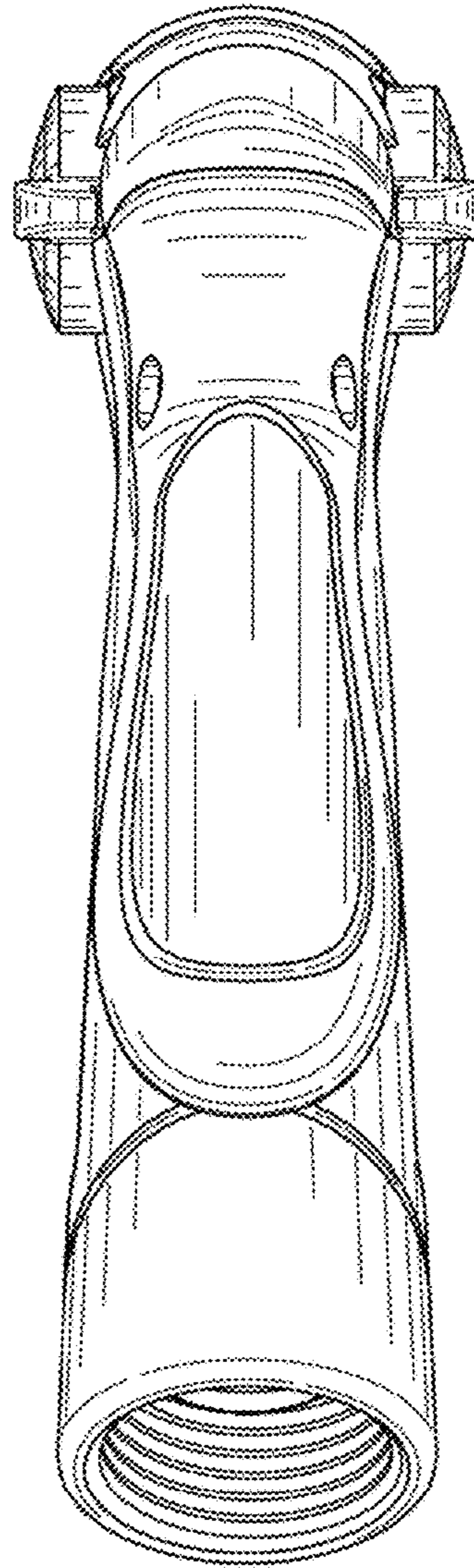


FIG. 4

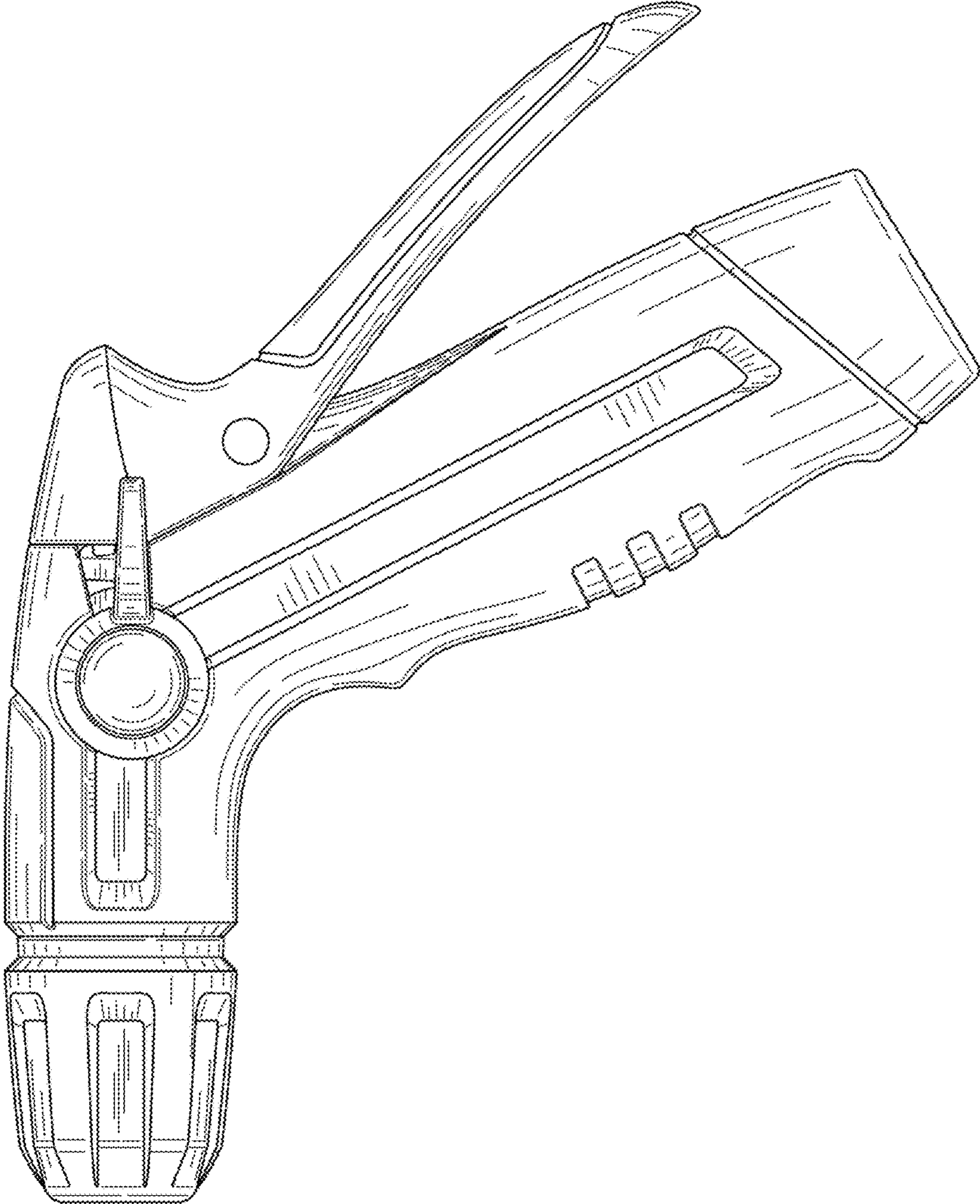


FIG. 5

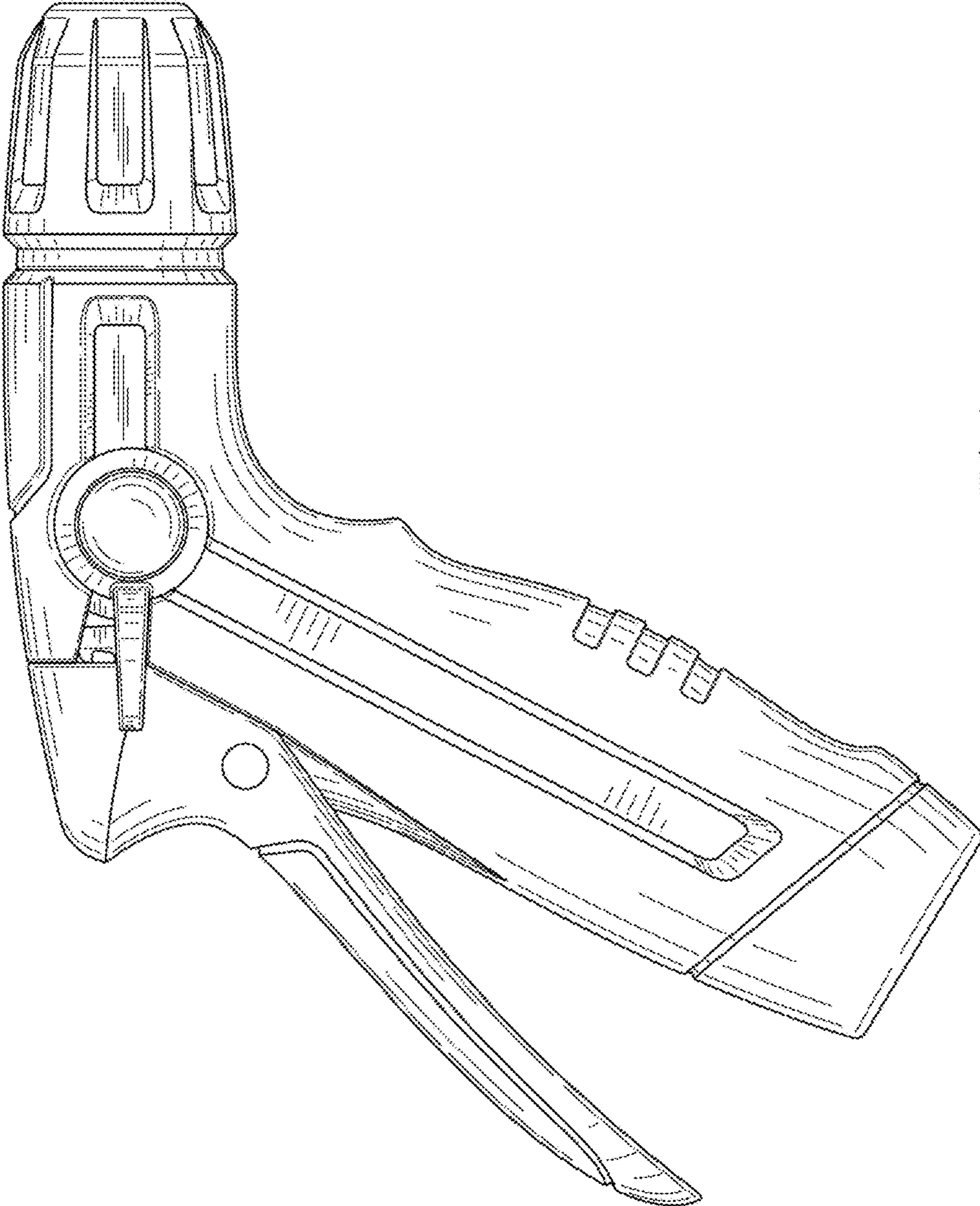


FIG. 6

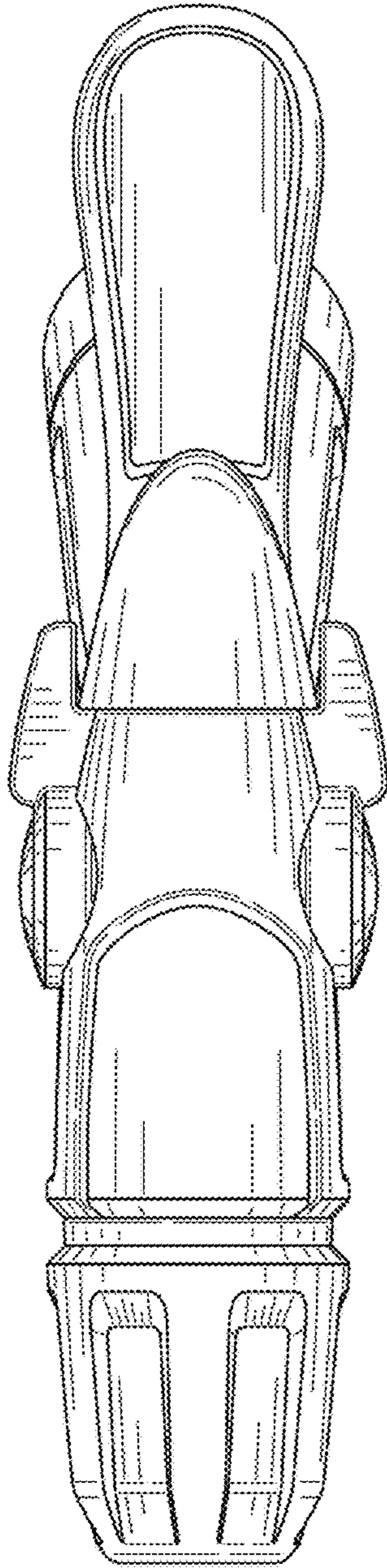


FIG. 7

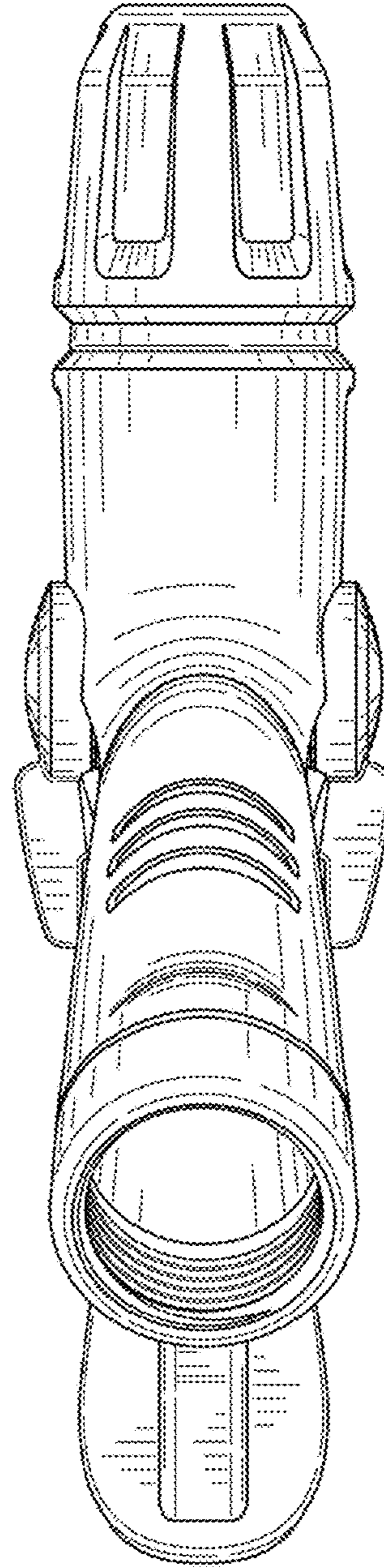


FIG. 8