



US00D838340S

(12) **United States Design Patent**  
**Svendsen et al.**

(10) **Patent No.:** **US D838,340 S**  
(45) **Date of Patent:** **\*\* Jan. 15, 2019**

- (54) **NOZZLE**
- (71) Applicant: **MELNOR, INC.**, Winchester, VA (US)
- (72) Inventors: **Sean Wesley Svendsen**, Columbus, OH (US); **Donald Collins Meves**, Columbus, OH (US); **Eric James Fickas**, Plain City, OH (US)
- (73) Assignee: **MELNOR, INC.**, Winchester, VA (US)

D557,767 S *	12/2007	Chih	.....	D23/226
D558,858 S *	1/2008	Chih	.....	D23/226
D559,353 S *	1/2008	Chih	.....	D23/226
D559,354 S *	1/2008	Chih	.....	D23/226
D746,945 S *	1/2016	Naslund	.....	D23/223
D746,946 S *	1/2016	Naslund	.....	D23/223
D767,091 S *	9/2016	Chen	.....	D23/223
D767,094 S *	9/2016	Chen	.....	D23/223
D768,817 S *	10/2016	Chen	.....	D23/223
D771,773 S *	11/2016	Chen	.....	D23/223
D779,035 S *	2/2017	Chen	.....	D23/223
D779,036 S *	2/2017	Chen	.....	D23/223

(\*\*) Term: **15 Years**

\* cited by examiner

(21) Appl. No.: **29/598,116**

*Primary Examiner* — Robin V Webster

(22) Filed: **Mar. 23, 2017**

(74) *Attorney, Agent, or Firm* — Westerman, Hattori, Daniels & Adrian, LLP

(51) **LOC (11) Cl.** ..... **23-01**

(57) **CLAIM**

(52) **U.S. Cl.**  
USPC ..... **D23/223**

The ornamental design for an nozzle, as shown and described.

(58) **Field of Classification Search**  
USPC ..... D23/213, 223, 226; D8/2; 239/532  
CPC ..... B05B 15/061; B05B 1/00; B05B 5/00;  
B05B 1/005; B05B 3/00; B05B 9/01;  
B05B 7/1209

**DESCRIPTION**

See application file for complete search history.

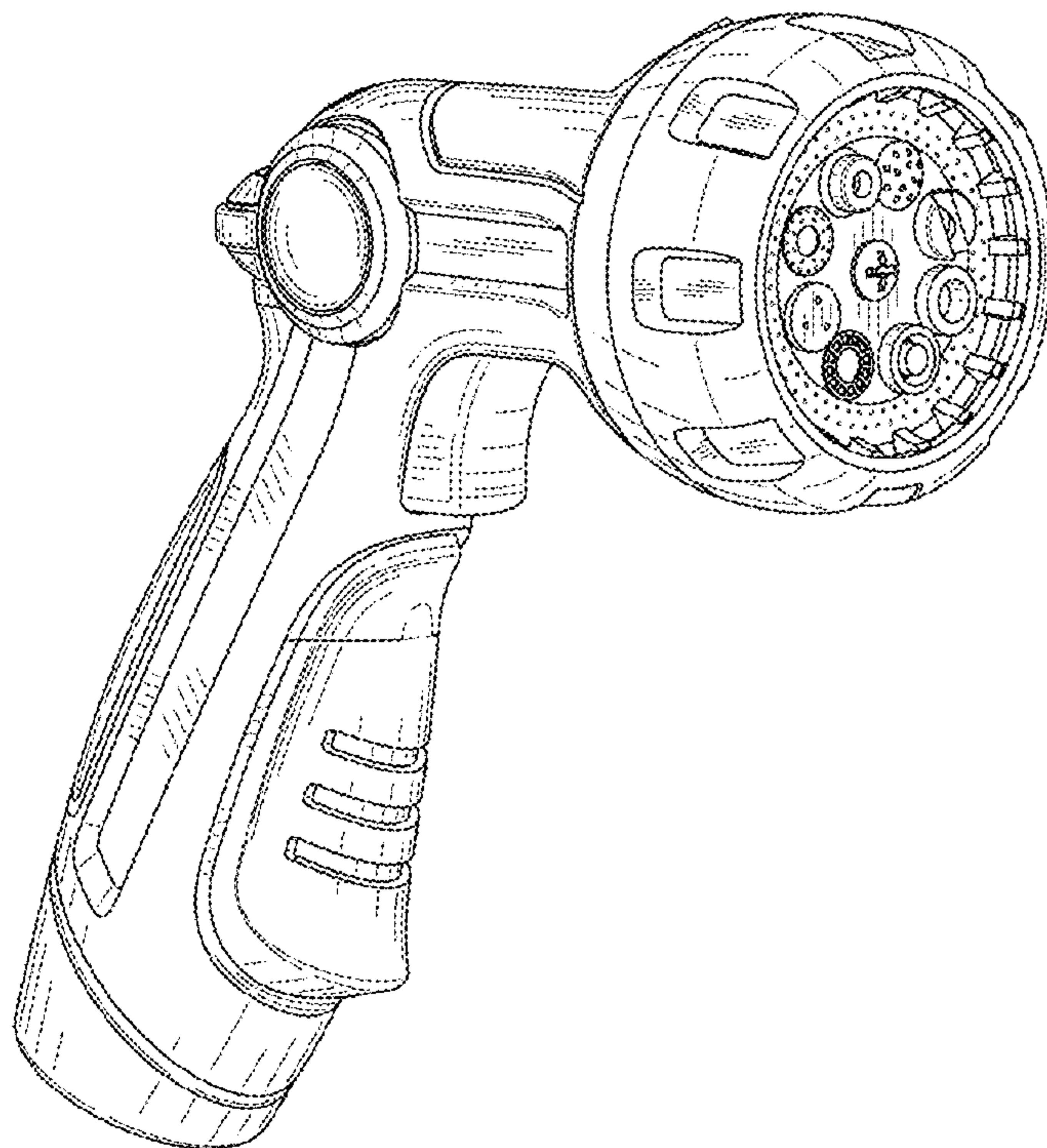
FIG. 1 is a rear perspective view of a nozzle, showing our new design;  
FIG. 2 is a front elevational view thereof;  
FIG. 3 is a rear elevational view thereof;  
FIG. 4 is a right side elevational view thereof;  
FIG. 5 is a left side elevational view thereof;  
FIG. 6 is a top plan view thereof;  
FIG. 7 is a bottom plan view thereof; and,  
FIG. 8 is a front perspective view thereof.

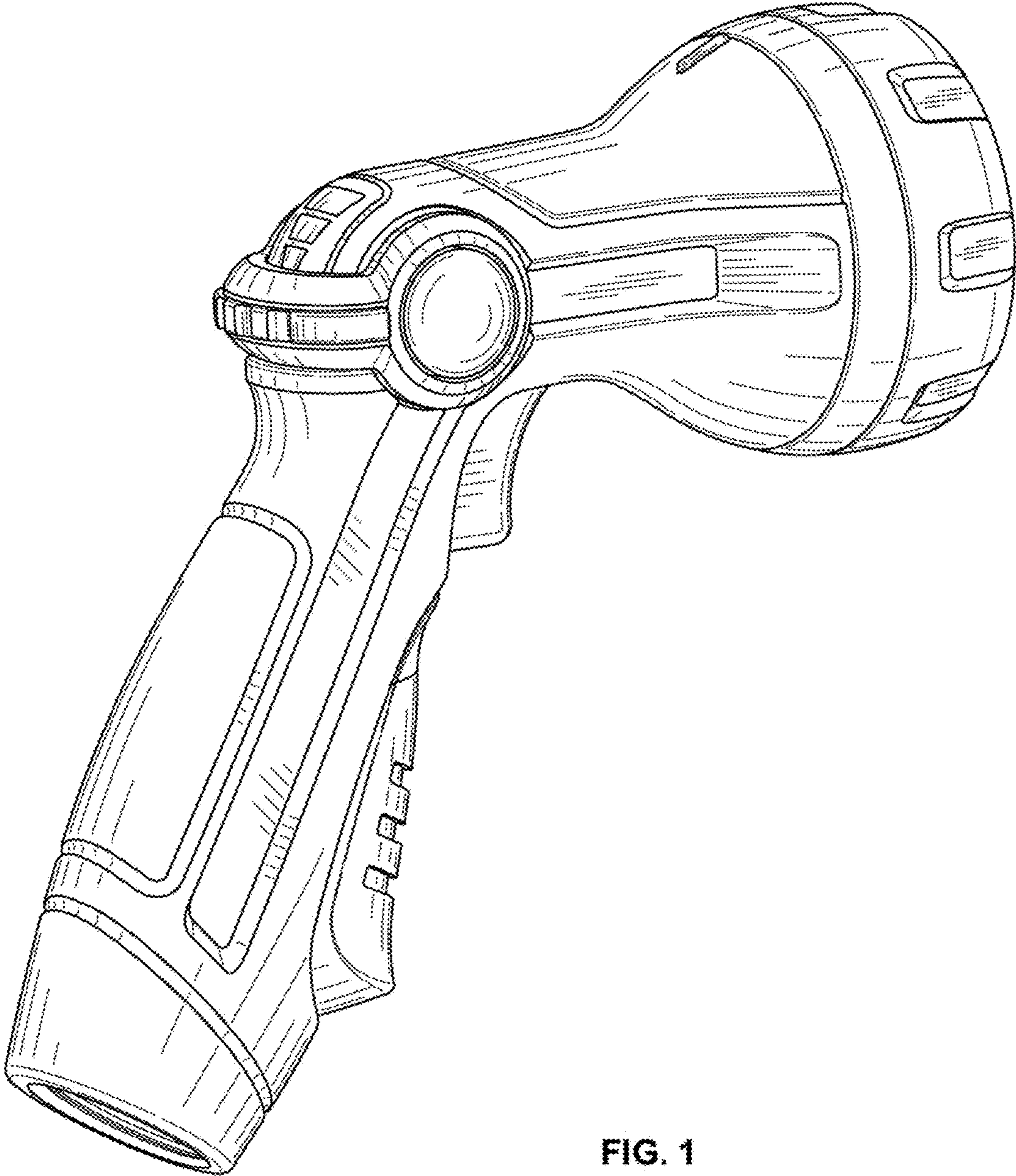
(56) **References Cited**

U.S. PATENT DOCUMENTS

D370,713 S *	6/1996	Guo	.....	D23/223
D373,813 S *	9/1996	Guo	.....	D23/223
D548,392 S *	8/2007	Lo	.....	D23/226

**1 Claim, 6 Drawing Sheets**







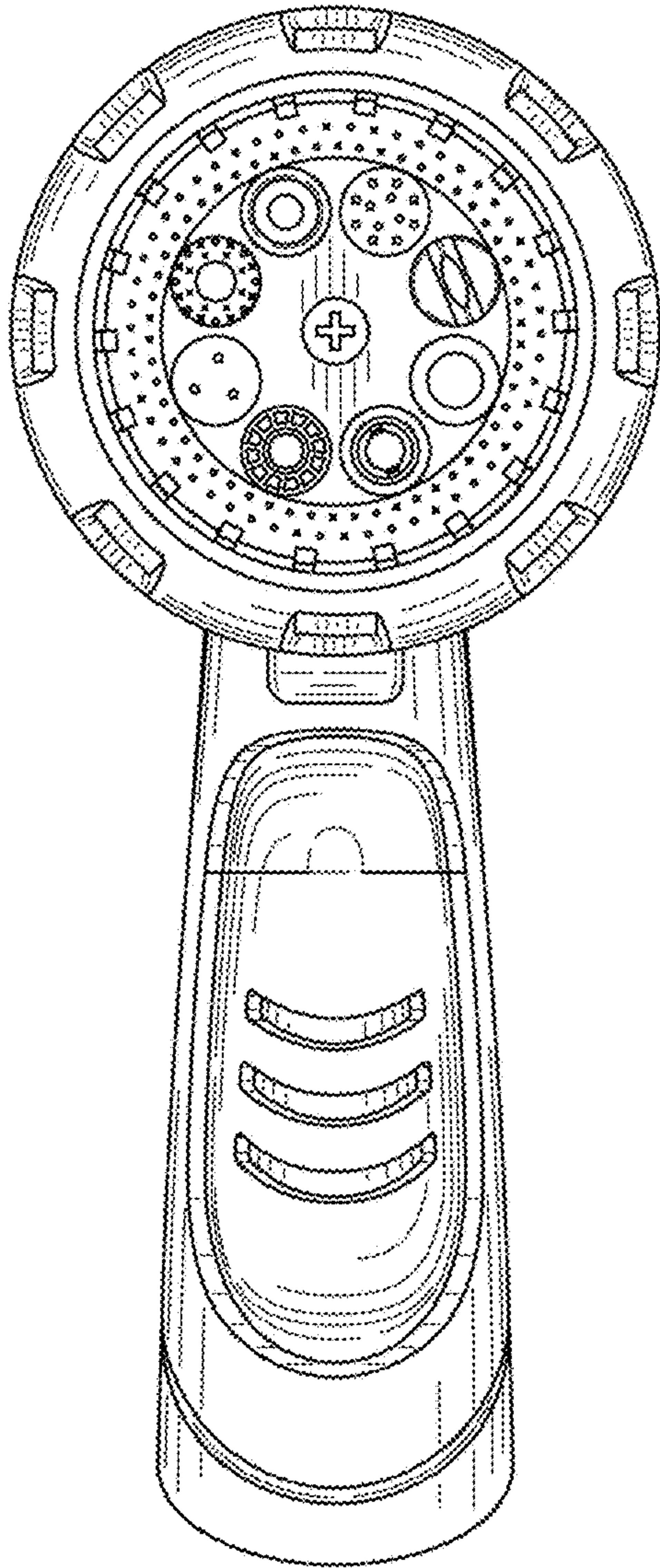


FIG. 2

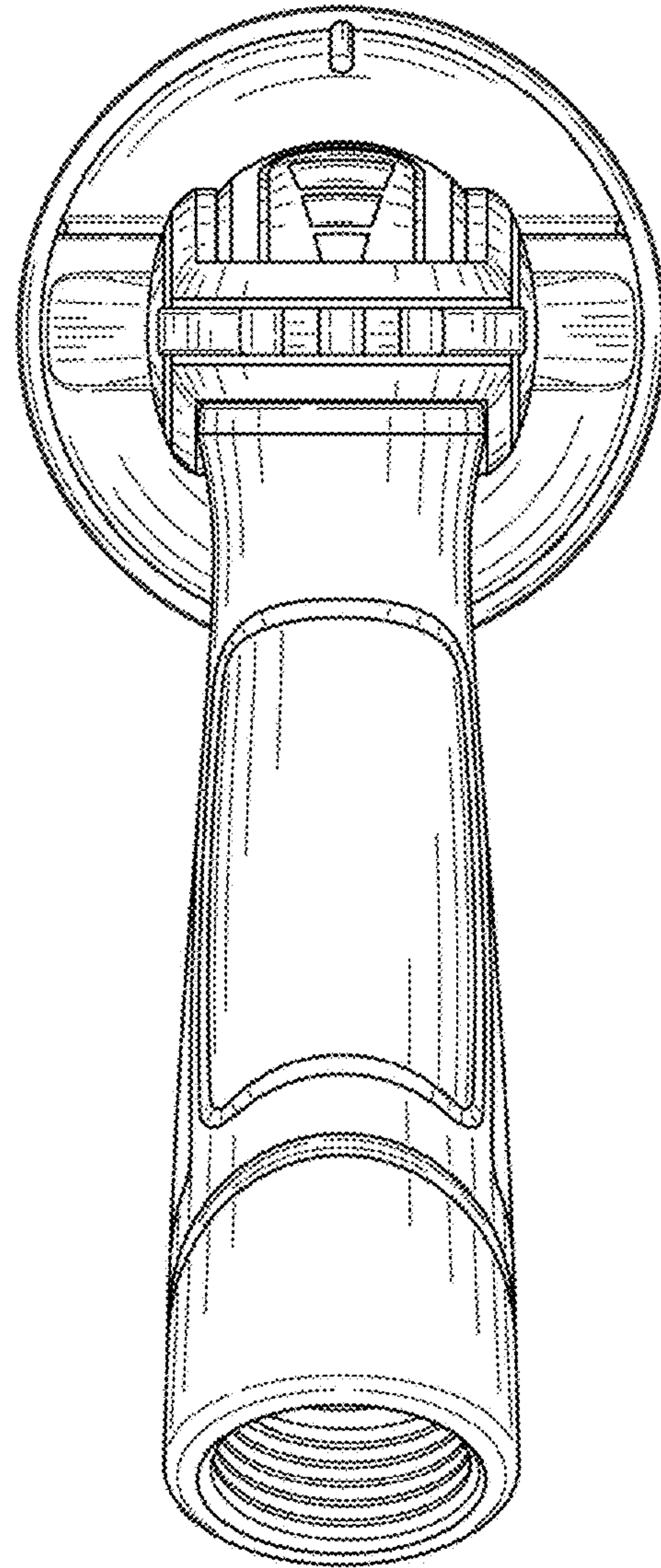


FIG. 3

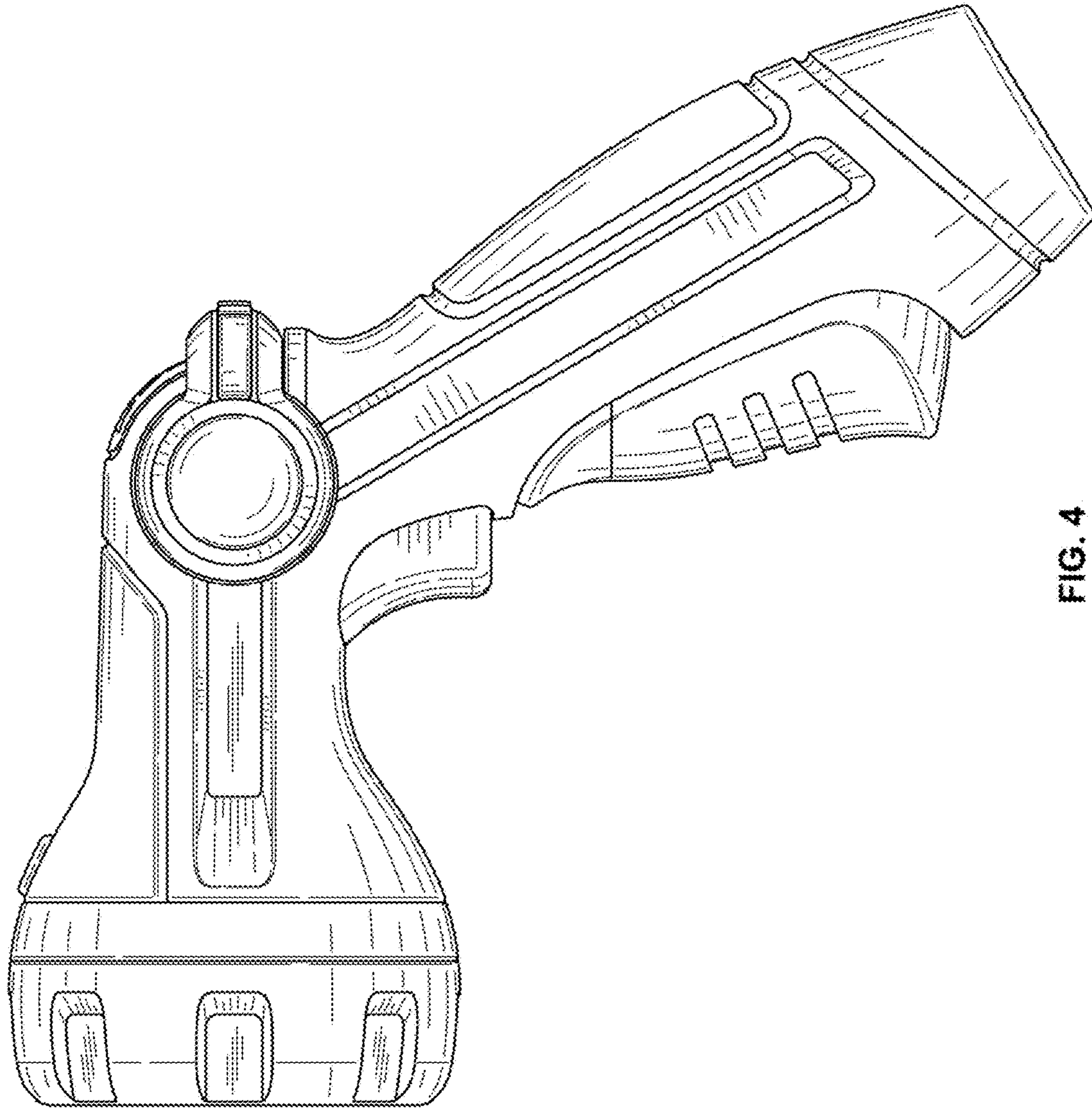


FIG. 4

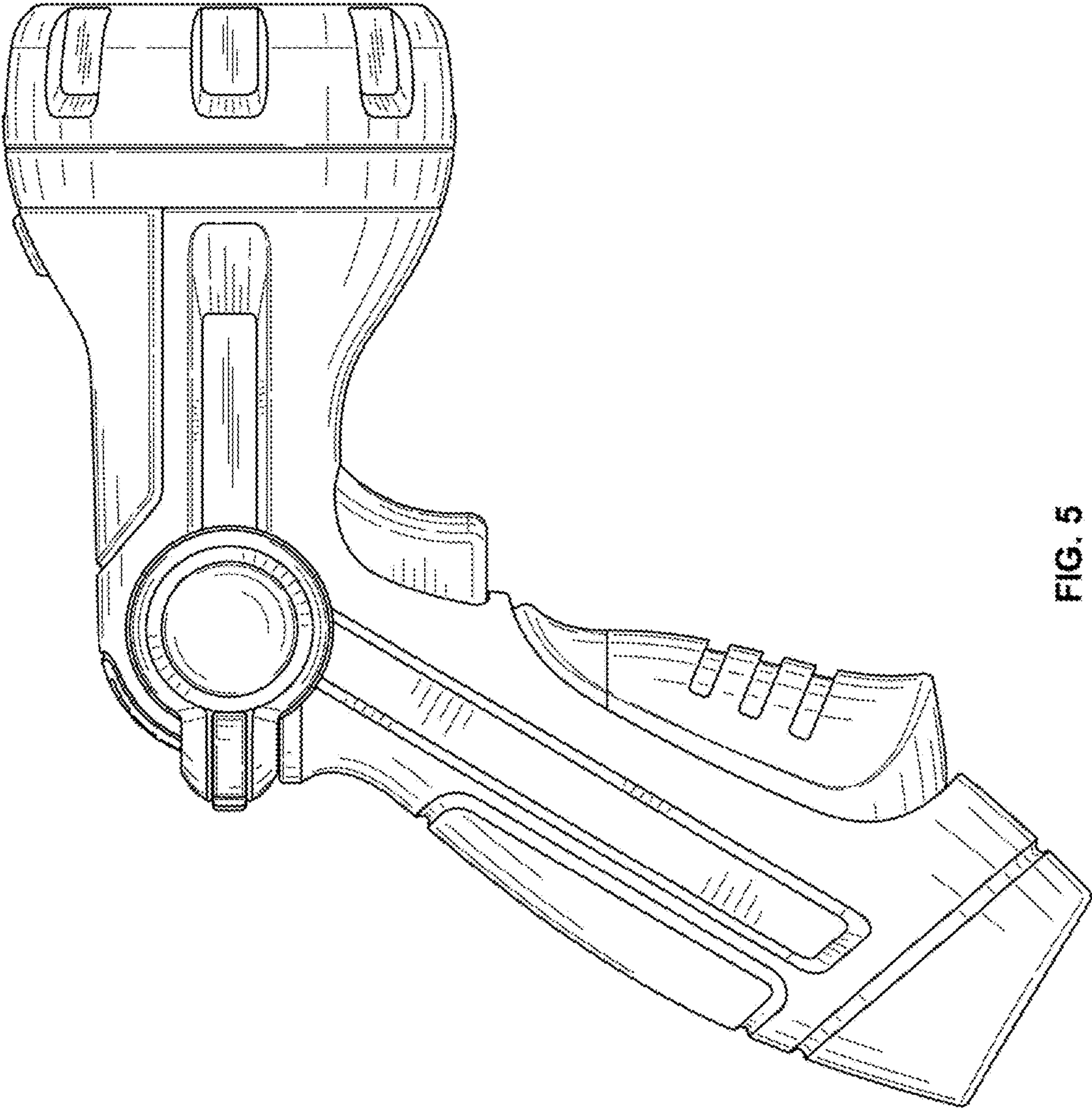


FIG. 5



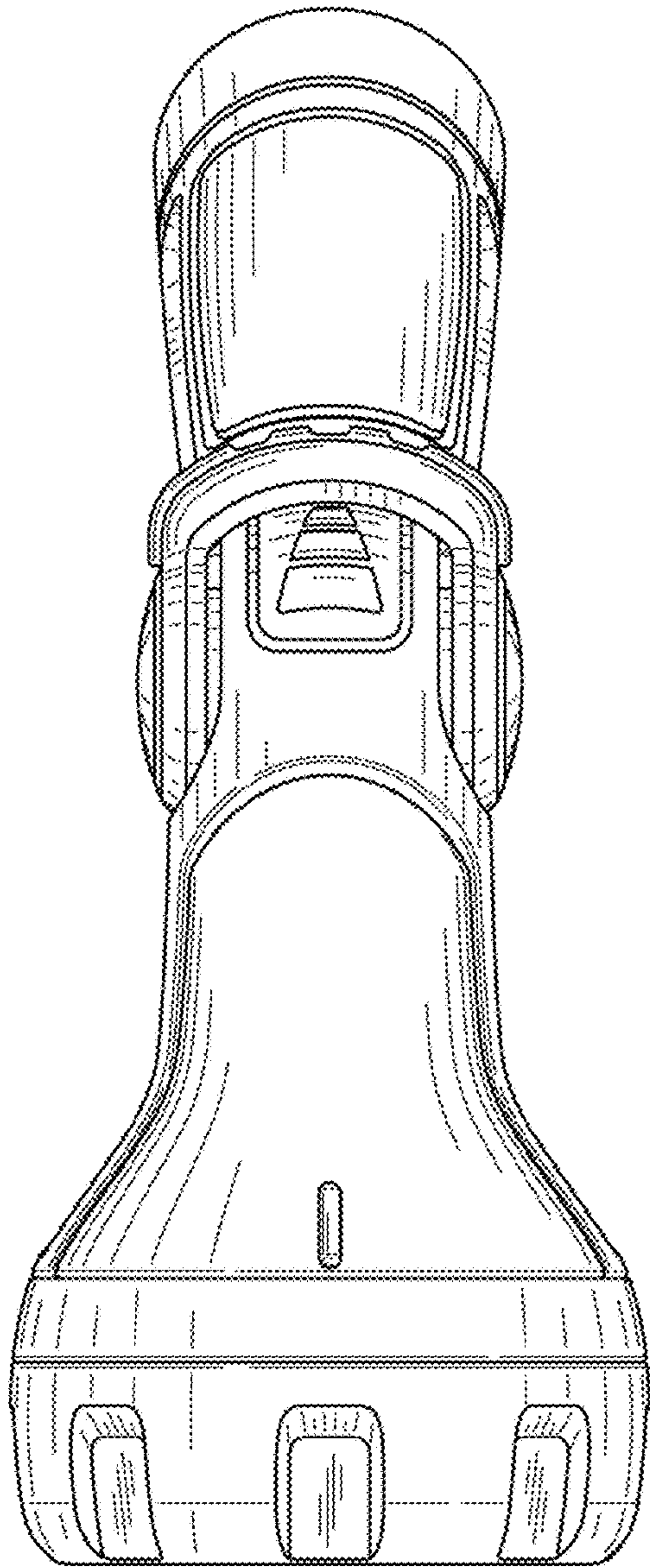


FIG. 6

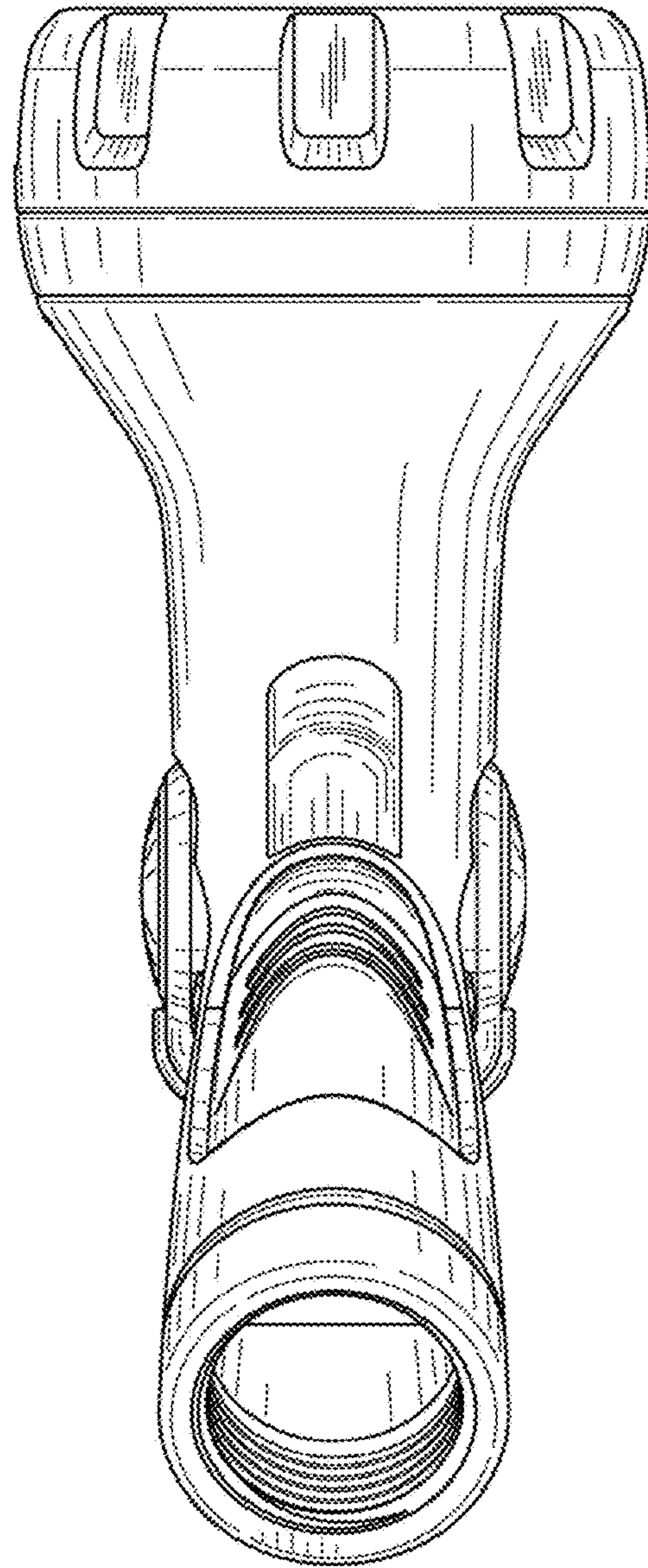


FIG. 7

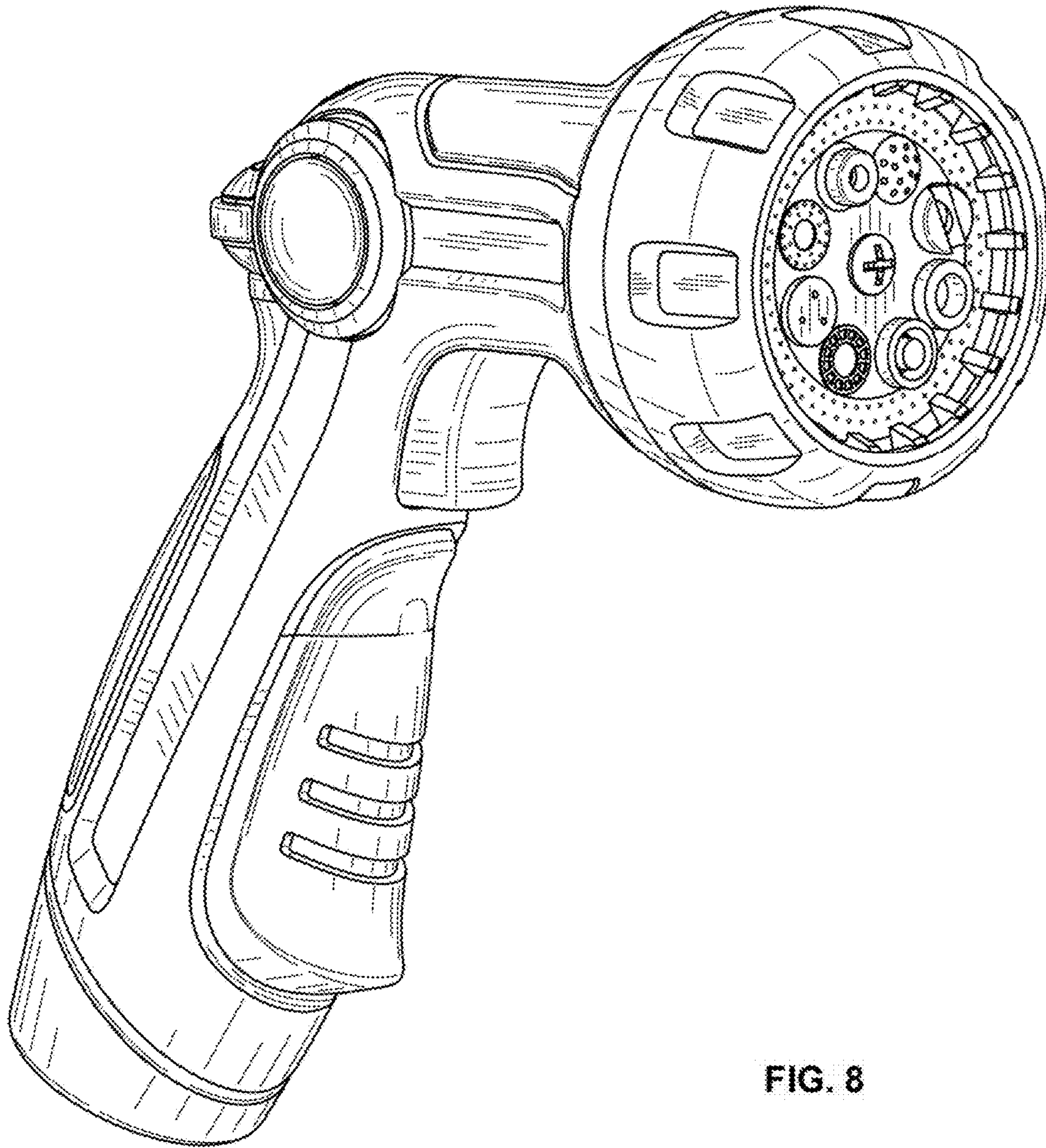


FIG. 8