



US00D838336S

(12) **United States Design Patent**
Tang

(10) **Patent No.:** **US D838,336 S**

(45) **Date of Patent:** **** Jan. 15, 2019**

(54) **STUN GUN**

(71) Applicant: **Shenzhen Shocker Electronic Co., Ltd.**, Shenzhen (CN)

(72) Inventor: **Jia Tang**, Shenzhen (CN)

(73) Assignee: **Shenzhen Shocker Electronic Co., Ltd.**, Shenzhen (CN)

(**) Term: **15 Years**

(21) Appl. No.: **29/629,357**

(22) Filed: **Dec. 13, 2017**

(51) **LOC (11) Cl.** **22-02**

(52) **U.S. Cl.**
USPC **D22/117**

(58) **Field of Classification Search**
USPC D22/117-120; D26/38; 463/47.4;
222/1, 153.03, 153.11, 162, 192, 402.1,
222/402.11, 504
CPC F41H 9/00; F41H 9/10; G08B 15/004
See application file for complete search history.

(56) **References Cited**

U.S. PATENT DOCUMENTS

- 5,842,602 A * 12/1998 Pierpoint F41H 9/10
222/1
- D745,987 S * 12/2015 Nawaz D22/117
- D748,309 S * 1/2016 Cheng D22/117
- D750,305 S * 2/2016 Sheikh D26/38

- D782,603 S * 3/2017 Fan D22/117
- D783,117 S * 4/2017 Gilbarte D22/117
- D783,118 S * 4/2017 Fan D22/117
- D797,882 S * 9/2017 Tang D22/117

* cited by examiner

Primary Examiner — Catherine R Oliver-Garcia

(74) *Attorney, Agent, or Firm* — ScienBiziP, P.C.

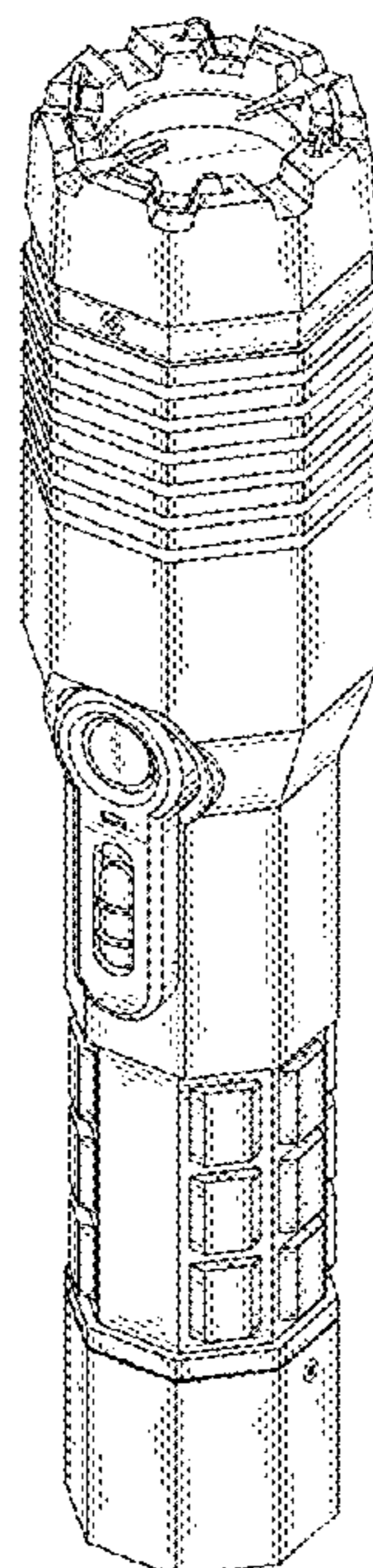
(57) **CLAIM**

The ornamental design for a stun gun, as shown and described.

DESCRIPTION

FIG. 1 is a front perspective view of a first embodiment of a stun gun showing the claimed new design;
 FIG. 2 is a front elevational view of the stun gun of FIG. 1;
 FIG. 3 is a rear elevational view of the stun gun of FIG. 1;
 FIG. 4 is a left side elevational view of the stun gun of FIG. 1;
 FIG. 5 is a right side elevational view of the stun gun of FIG. 1;
 FIG. 6 is a top plan view of the stun gun of FIG. 1; and,
 FIG. 7 is a bottom plan view of the stun gun of FIG. 1.
 The dot-dash lines represent boundaries of the claimed design. The dot-dash lines depict environmental subject matter that forms no part of the claimed design. The broken lines in the drawings depict portions of the stun gun that form no part of the claimed design. The broken lines and unshaded regions bounded by broken lines form no part of the claimed design.

1 Claim, 7 Drawing Sheets



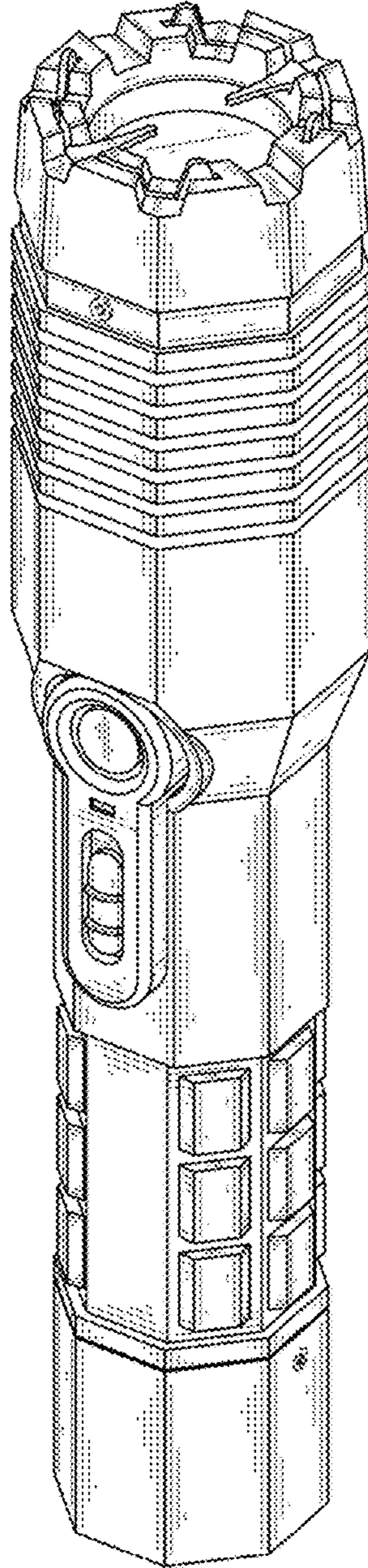


FIG. 1

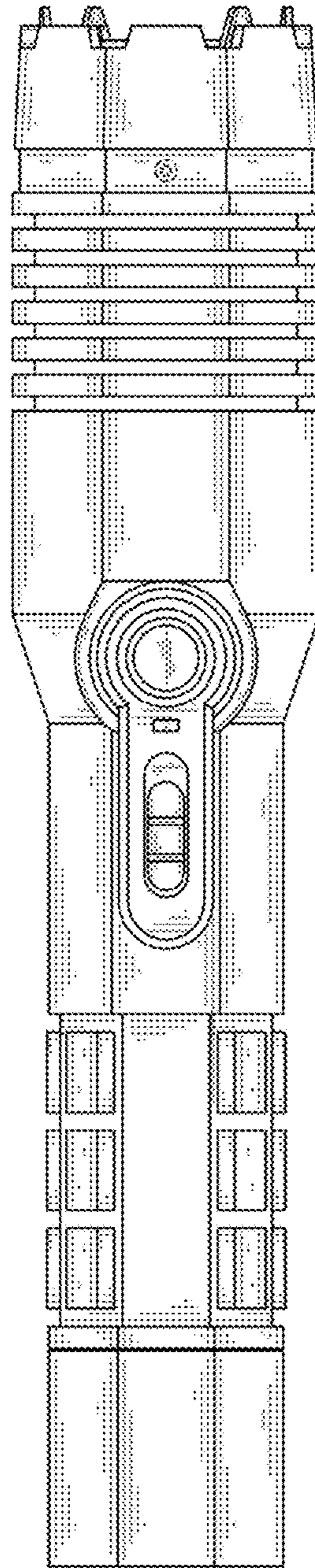


FIG. 2

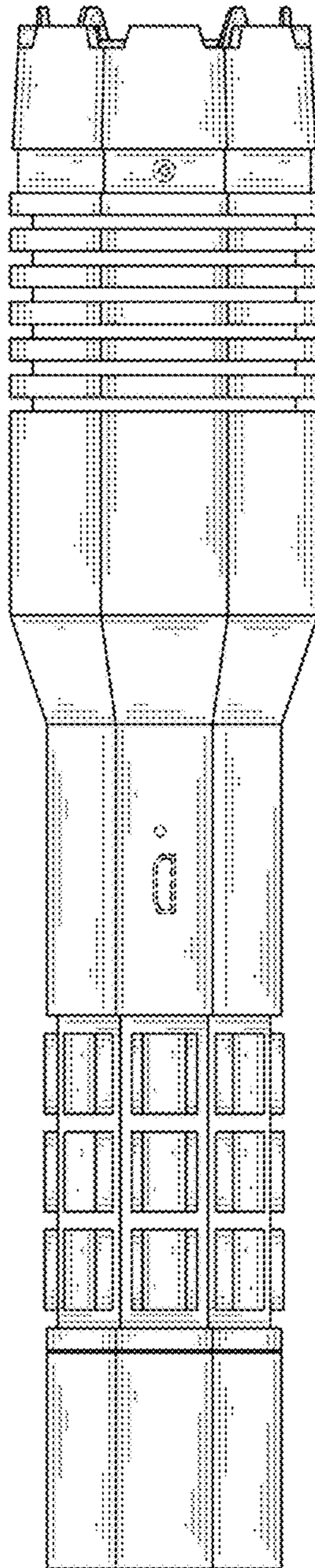


FIG. 3

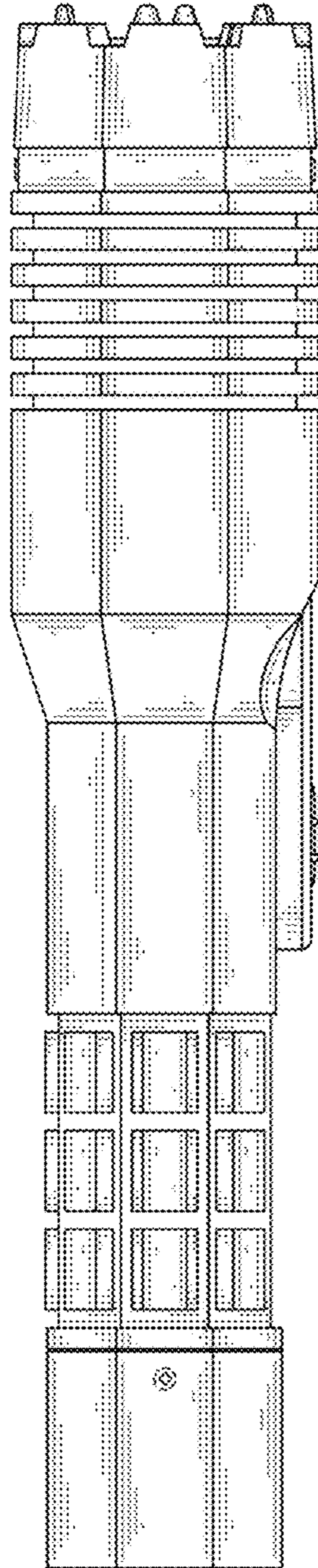


FIG. 4

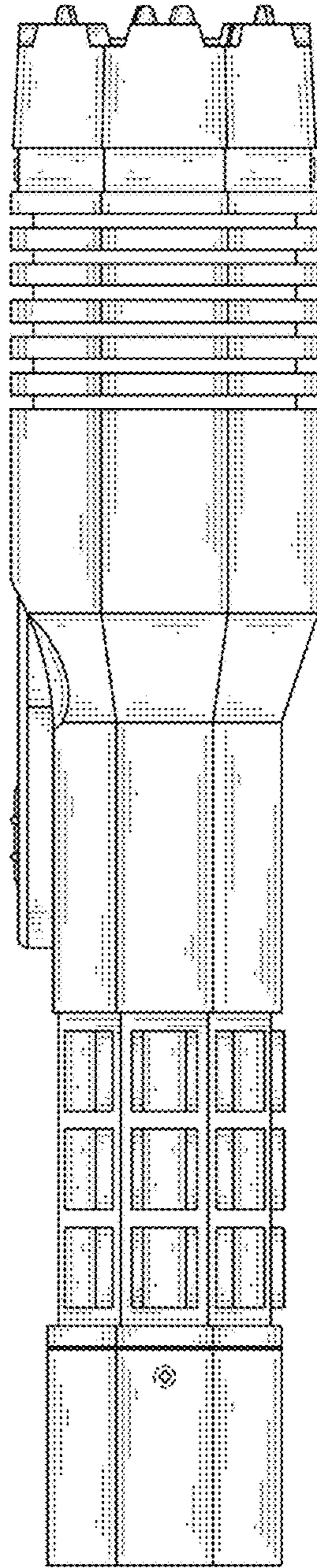


FIG. 5

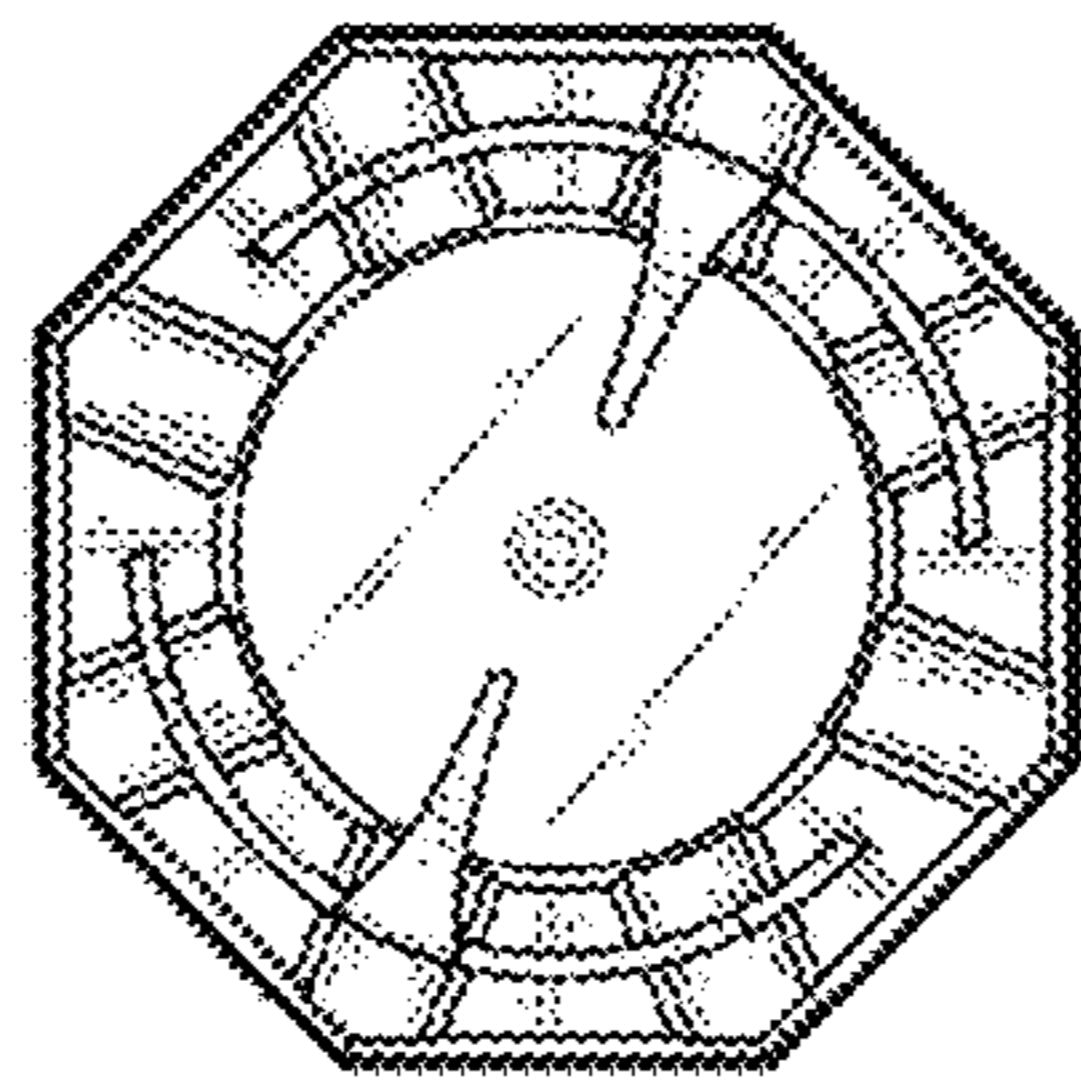


FIG. 6

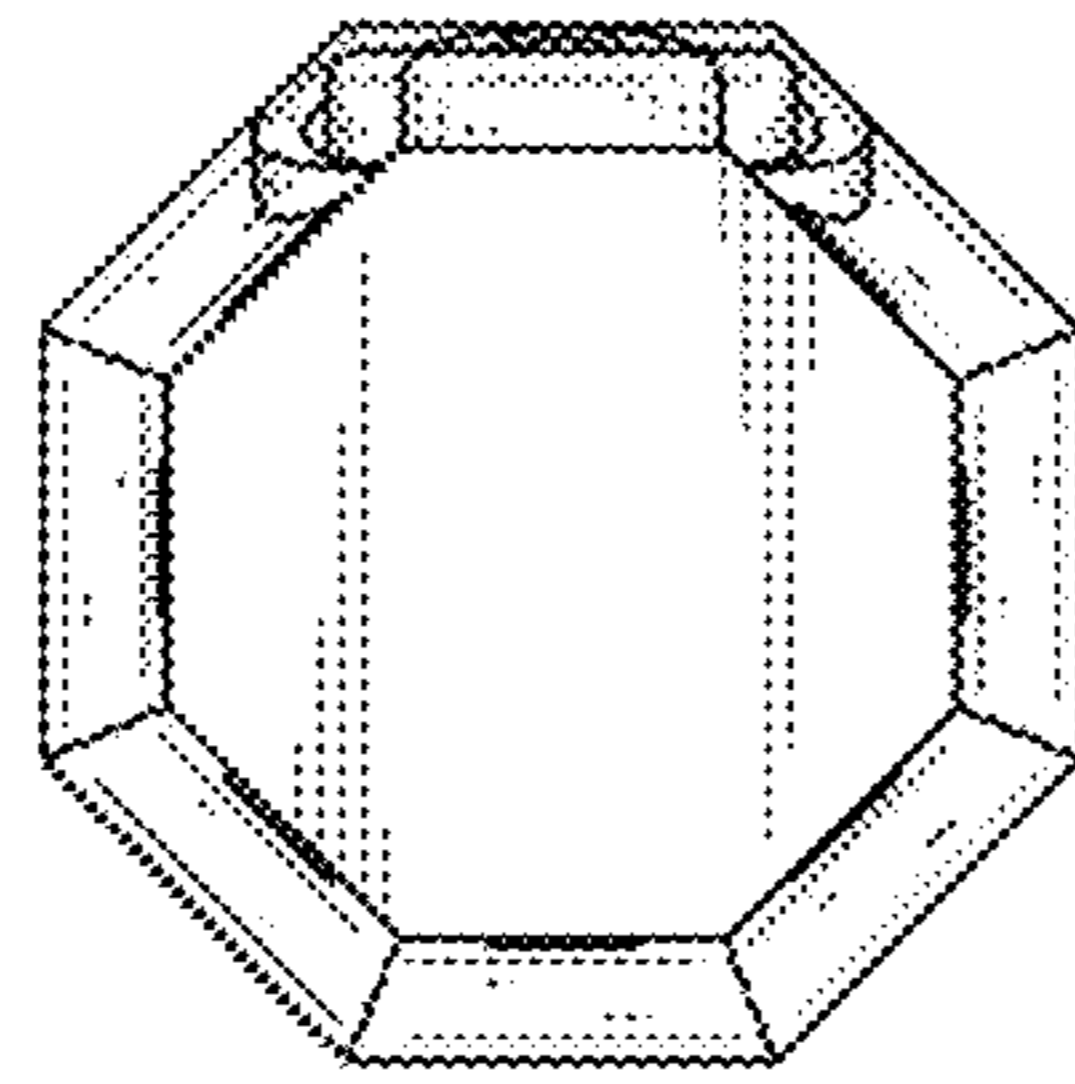


FIG. 7