



US00D838334S

(12) **United States Design Patent**
Fu

(10) **Patent No.:** **US D838,334 S**
(45) **Date of Patent:** **** Jan. 15, 2019**

- (54) **RIFLE MAGAZINE LOCK**
- (71) Applicant: **Peter Fu**, La Habra, CA (US)
- (72) Inventor: **Peter Fu**, La Habra, CA (US)
- (**) Term: **15 Years**
- (21) Appl. No.: **29/593,882**
- (22) Filed: **Feb. 14, 2017**
- (51) **LOC (11) Cl.** **22-01**
- (52) **U.S. Cl.**
USPC **D22/108**
- (58) **Field of Classification Search**
USPC D22/108; D21/572-573
CPC F41A 9/70; F41A 9/65; F41A 9/71; F41A 9/68; F41A 9/69; F41A 11/02; F41A 9/61; F41A 9/00; F41A 9/17; F41A 9/23; F41A 9/34; F41A 9/84
See application file for complete search history.

6,722,253	B2 *	4/2004	Johnson	F41A 3/12	42/90
7,921,587	B2 *	4/2011	Mayberry	F41A 21/481	42/49.01
8,713,832	B2 *	5/2014	Troy	F41A 17/38	42/6
8,776,426	B1 *	7/2014	Symonds	F41A 35/00	42/49.02
2006/0123683	A1 *	6/2006	Garrett	F41A 17/38	42/6
2014/0053444	A1 *	2/2014	Garrett	F41A 17/38	42/6
2014/0075810	A1 *	3/2014	Mikroulis	F41A 17/36	42/50

* cited by examiner

Primary Examiner — Michael A. Pratt
(74) *Attorney, Agent, or Firm* — Alexander Chen, Esq.;
Agnew International Patent & Trademark Law Firm

(57) **CLAIM**

The ornamental design for a rifle magazine lock, as shown and described.

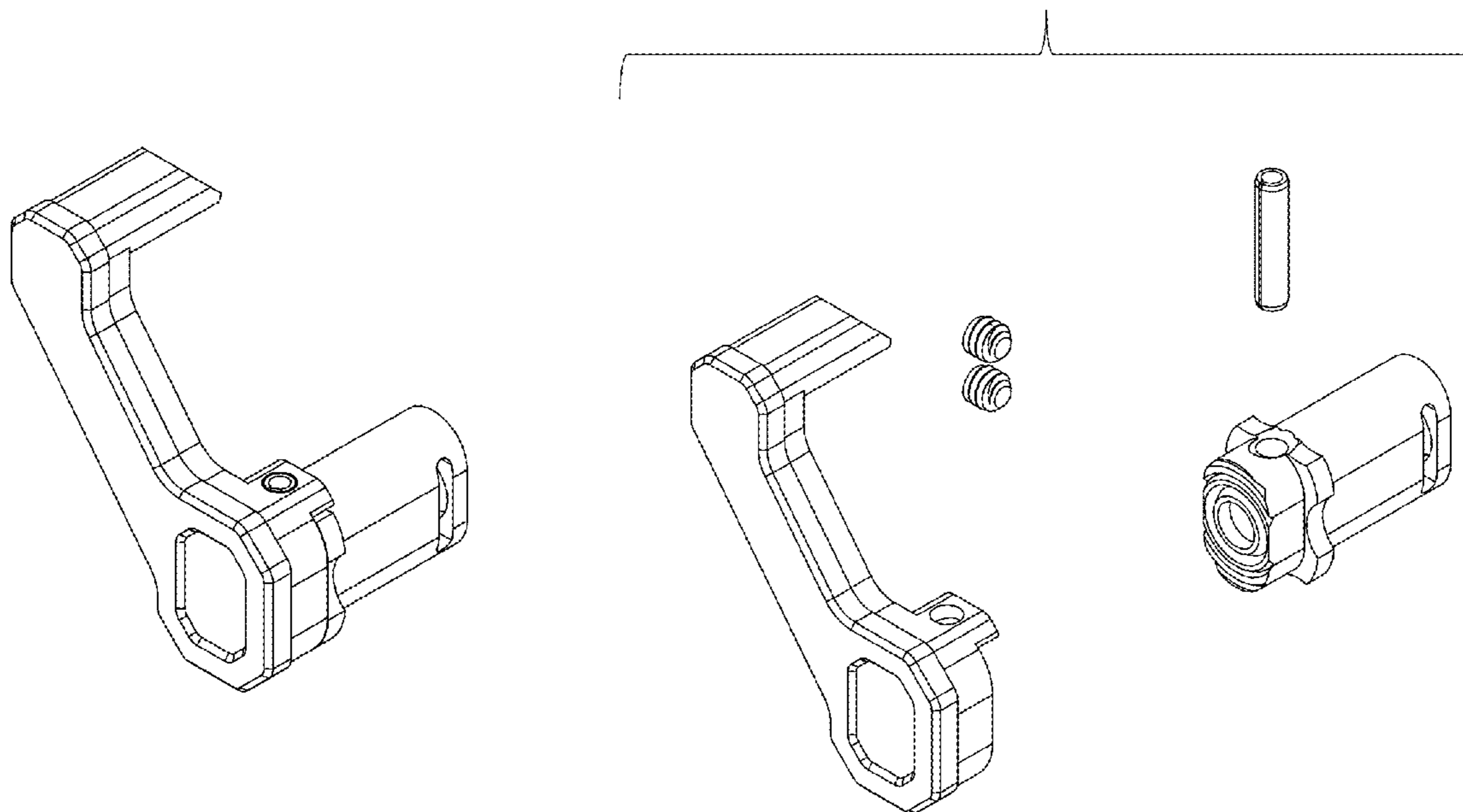
DESCRIPTION

FIG. 1 is a front perspective view of a rifle magazine lock, showing my new design.
FIG. 2 is an exploded, front perspective view thereof.
FIG. 3 is a rear view thereof.
FIG. 4 is a top plan view thereof; and,
FIG. 5 is a right side elevational view thereof.

1 Claim, 5 Drawing Sheets

(56) **References Cited**
U.S. PATENT DOCUMENTS

D288,279	S *	2/1987	Chesnut	D22/108
4,759,144	A *	7/1988	Egan	F41A 17/38
					42/7
5,025,582	A *	6/1991	Mote, Sr.	F41A 17/46
					42/70.06
5,519,954	A *	5/1996	Garrett	F41A 17/38
					42/6



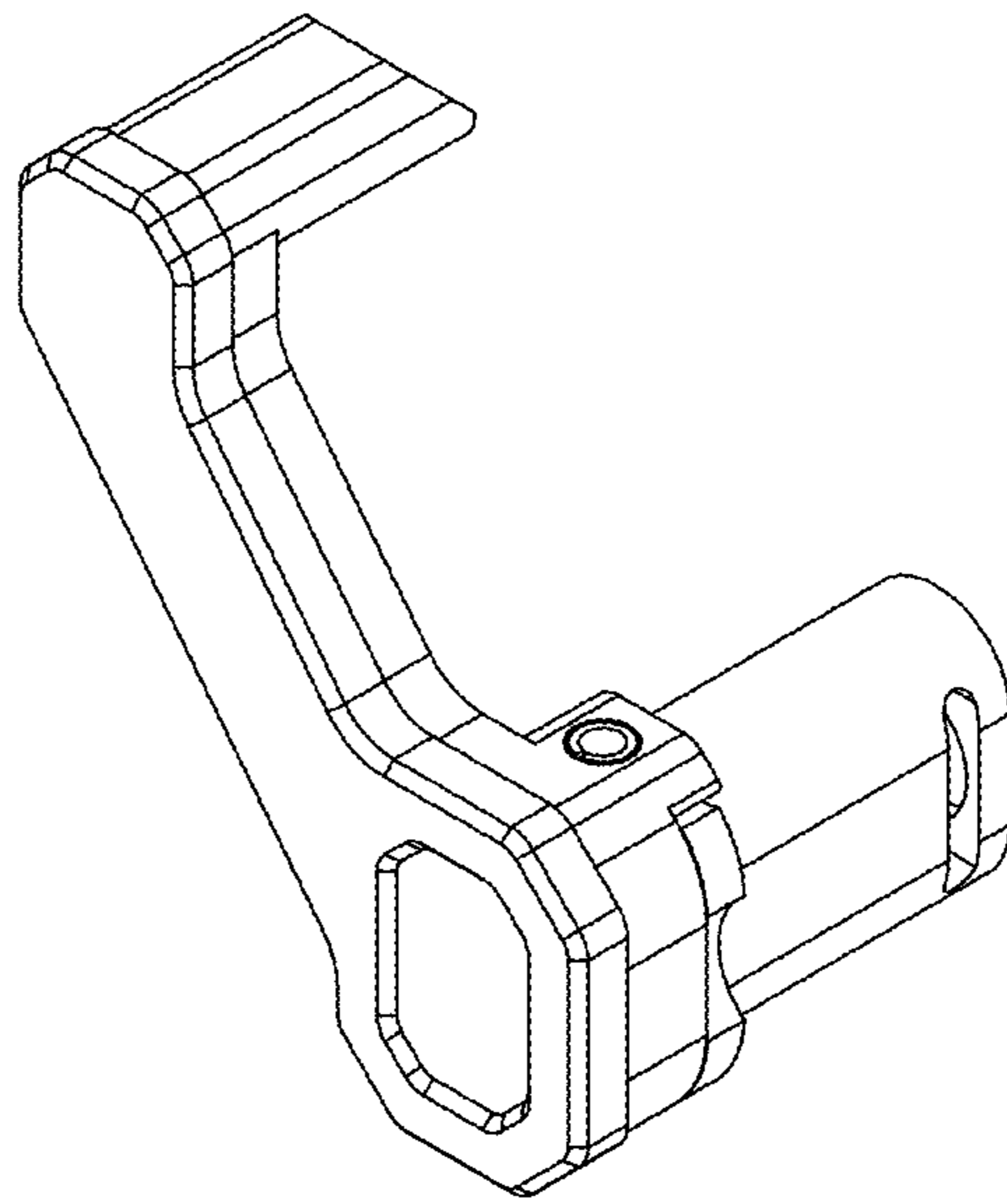


Fig. 1

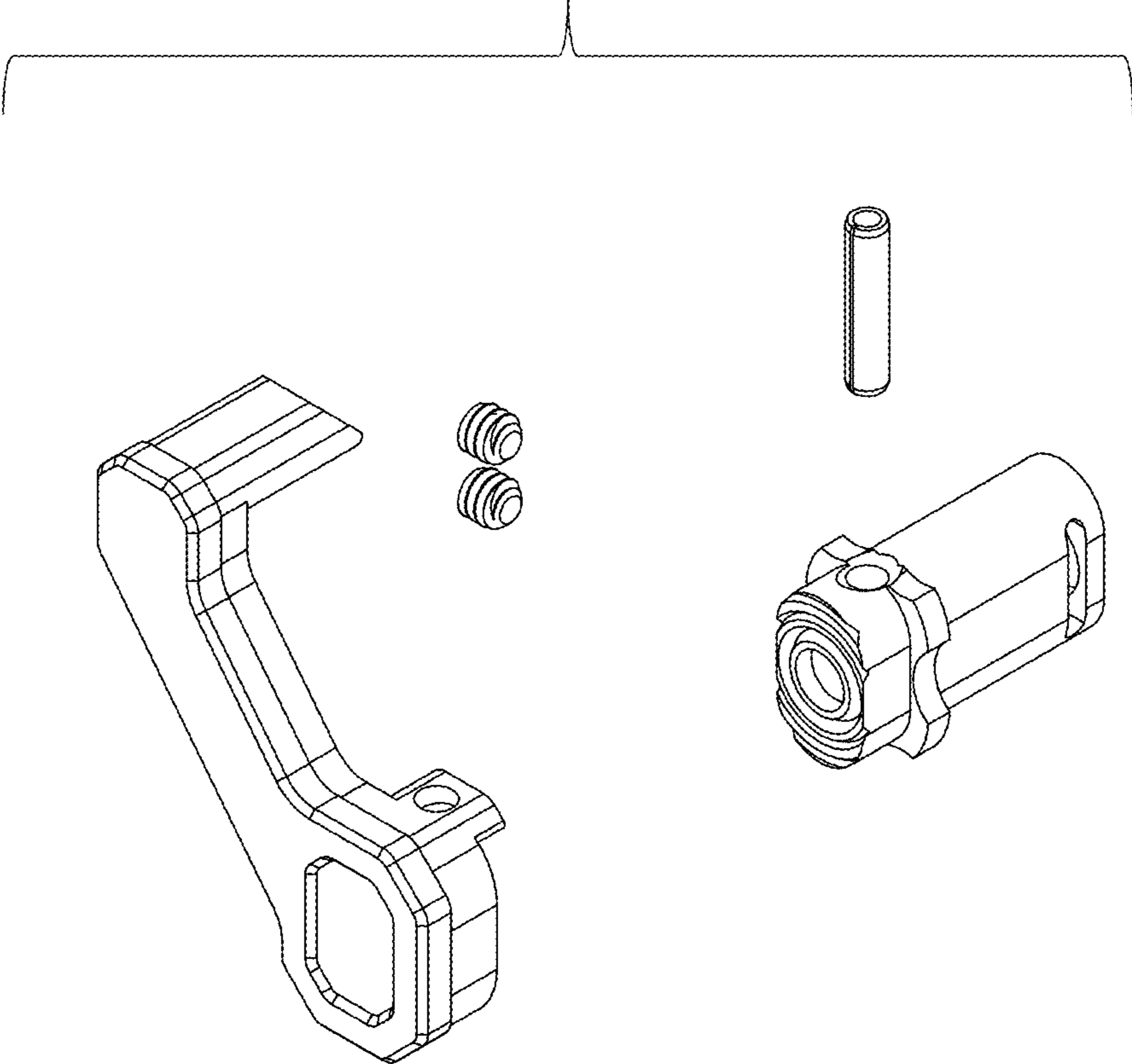


Fig. 2

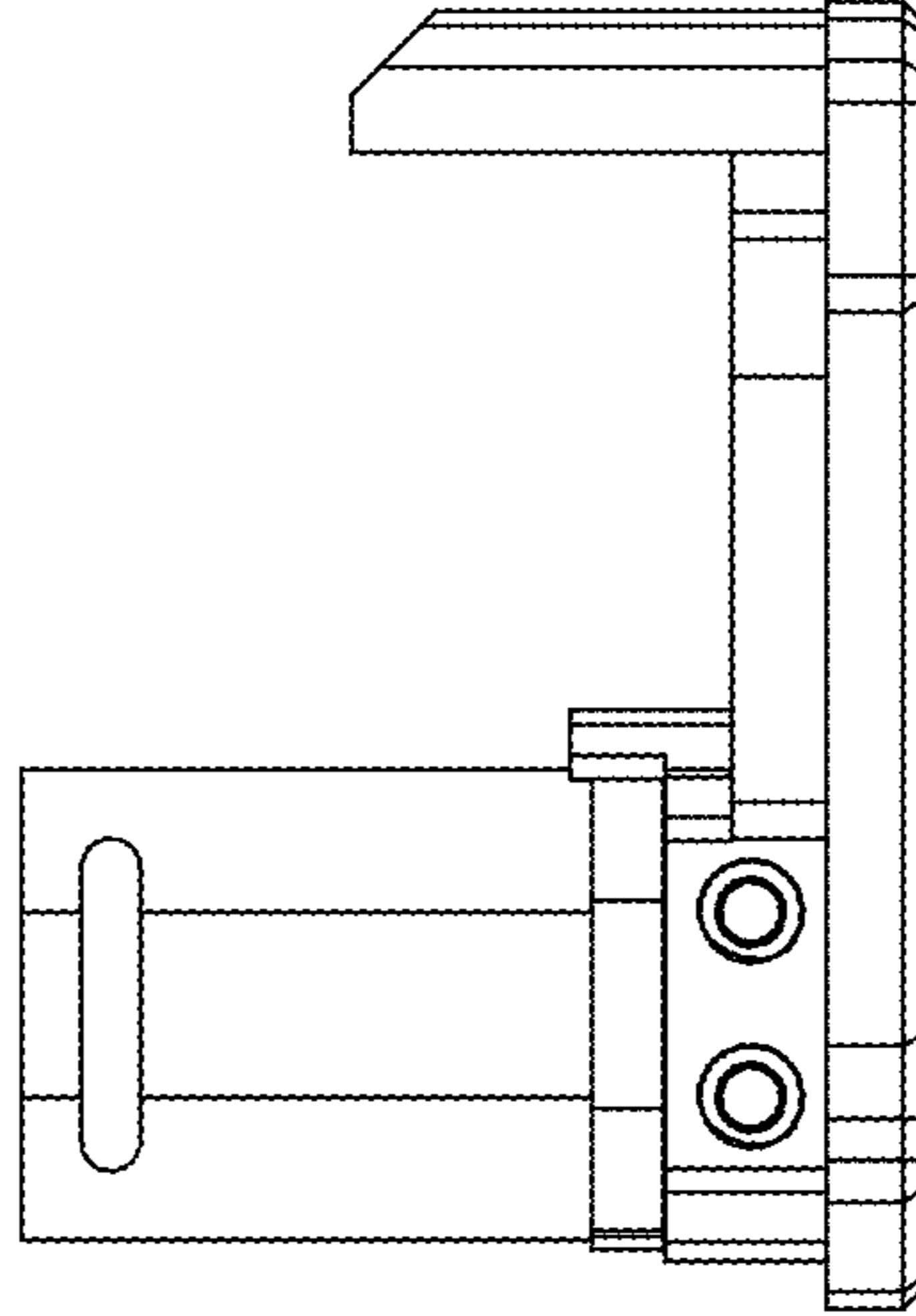


Fig. 3

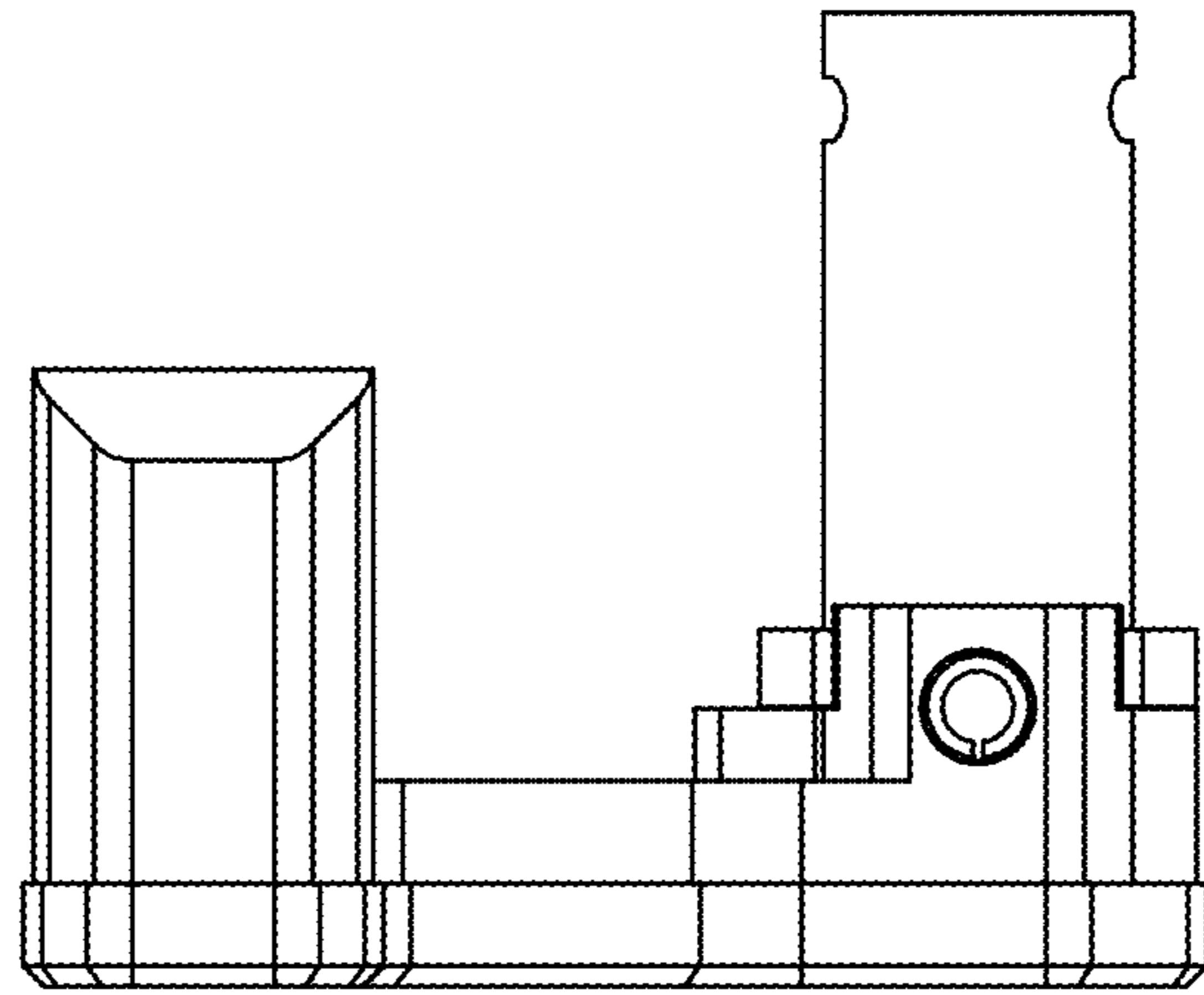


Fig. 4

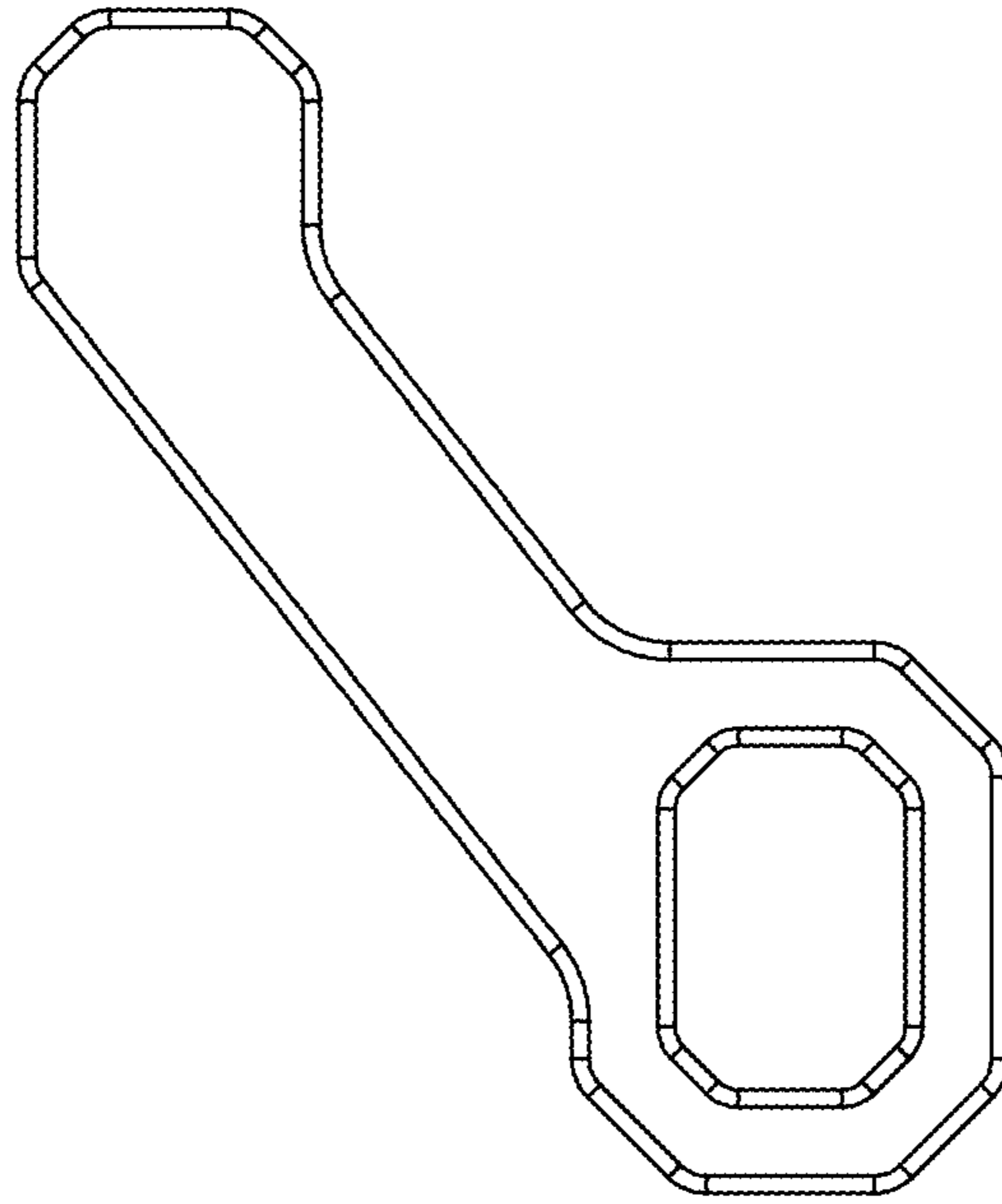


Fig. 5