

US00D838330S

(12) **United States Design Patent**  
**Hofmeyr et al.**

(10) **Patent No.:** **US D838,330 S**  
(45) **Date of Patent:** **\*\* Jan. 15, 2019**

- (54) **TENNIS TEACHING AID**
- (71) Applicant: **TopspinPro Ltd.**, London (GB)
- (72) Inventors: **Phillip Reitz Hofmeyr**, London (GB);  
**Stephen Marshall-Rees**, Swansea (GB)
- (73) Assignee: **TOPSPINPRO LTD.**, London (GB)
- (\*\*) Term: **15 Years**
- (21) Appl. No.: **29/584,895**
- (22) Filed: **Nov. 18, 2016**
- (30) **Foreign Application Priority Data**

May 20, 2016 (EM) ..... 003143544

(51) **LOC (11) Cl.** ..... **21-02**

(52) **U.S. Cl.**  
USPC ..... **D21/799.1; D21/707; D21/719**

(58) **Field of Classification Search**  
USPC ..... D21/466, 698, 699, 705, 707-709,  
D21/713-71, 722, 780, 787-789, 791,  
D21/799.1

CPC ... A63B 37/00; A63B 37/0022; A63B 37/001;  
A63B 37/0011; A63B 37/12; A63B  
37/14; A63B 39/00; A63B 39/06; A63B  
41/00; A63B 43/00; A63B 43/008; A63B  
43/02; A63B 43/06; A63B 47/00; A63B  
57/20; A63B 59/20; A63B 63/00; A63B  
2063/001; A63B 67/10; A63B 2069/0008;  
A63B 69/002; A63B 69/345; A63B  
69/34; A63B 69/201; A63B 69/205; A63B  
71/14; A63B 71/143; A63B 71/145; A65B  
69/00

See application file for complete search history.

(56) **References Cited**

**U.S. PATENT DOCUMENTS**

- 2,713,487 A \* 7/1955 Jaediker ..... A63B 69/0091  
473/145
- 2,955,823 A \* 10/1960 Chanko ..... A63B 69/40  
124/50

- 3,018,769 A \* 1/1962 Parsonault ..... A63B 69/409  
124/50
- D234,783 S \* 4/1975 Conde ..... D21/705
- D235,153 S \* 5/1975 Conde ..... D21/720

(Continued)

**OTHER PUBLICATIONS**

TopspinPro's TopspinPro product (online), retrieved from Internet Oct. 2, 2017. URL: <https://topspinpro.com/shop/?v=7516fd43adaa> (3 pages).\*

*Primary Examiner* — Michael A. Pratt

*Assistant Examiner* — Wendy L Arminio

(74) *Attorney, Agent, or Firm* — Nixon & Vanderhye P.C.

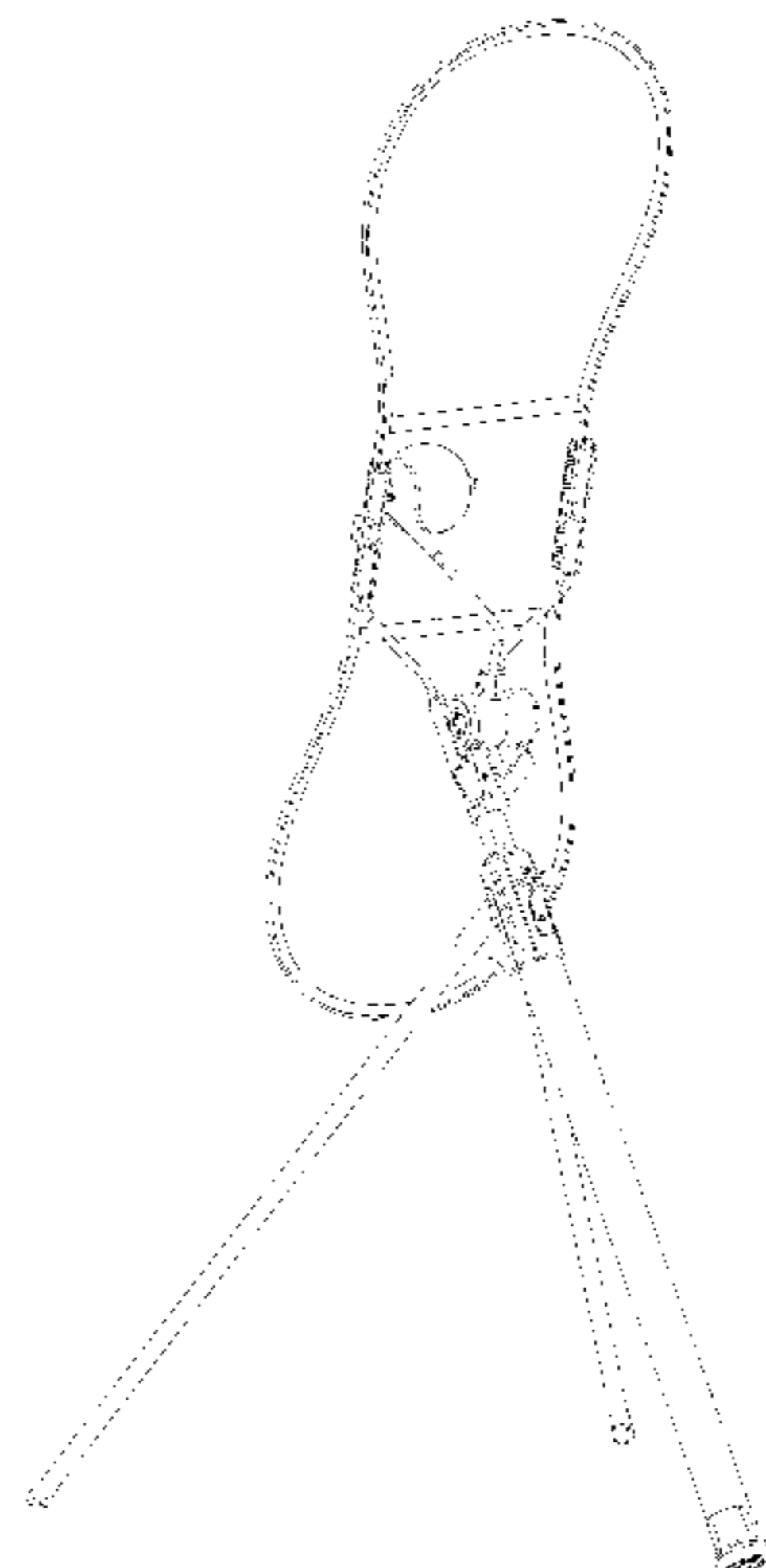
(57) **CLAIM**

The ornamental design for a tennis teaching aid, as shown and described.

**DESCRIPTION**

FIG. 1 is a left rear perspective view of the tennis teaching aid;  
 FIG. 2 is a rear view of the tennis teaching aid;  
 FIG. 3 is a front right perspective view of the tennis teaching aid;  
 FIG. 4 is a front view of the tennis teaching aid;  
 FIG. 5 is a left side view of the tennis teaching aid showing the tennis ball target feature in the retracted position;  
 FIG. 6 is left side view of the tennis teaching aid showing the tennis ball target feature in the projected position; and,  
 FIG. 7 is a right side view of the tennis teaching aid showing the tennis ball target feature in the projected position.  
 The broken lines in the drawing figures illustrating logo indicia depict environment and form no part of the claimed design.

**1 Claim, 7 Drawing Sheets**



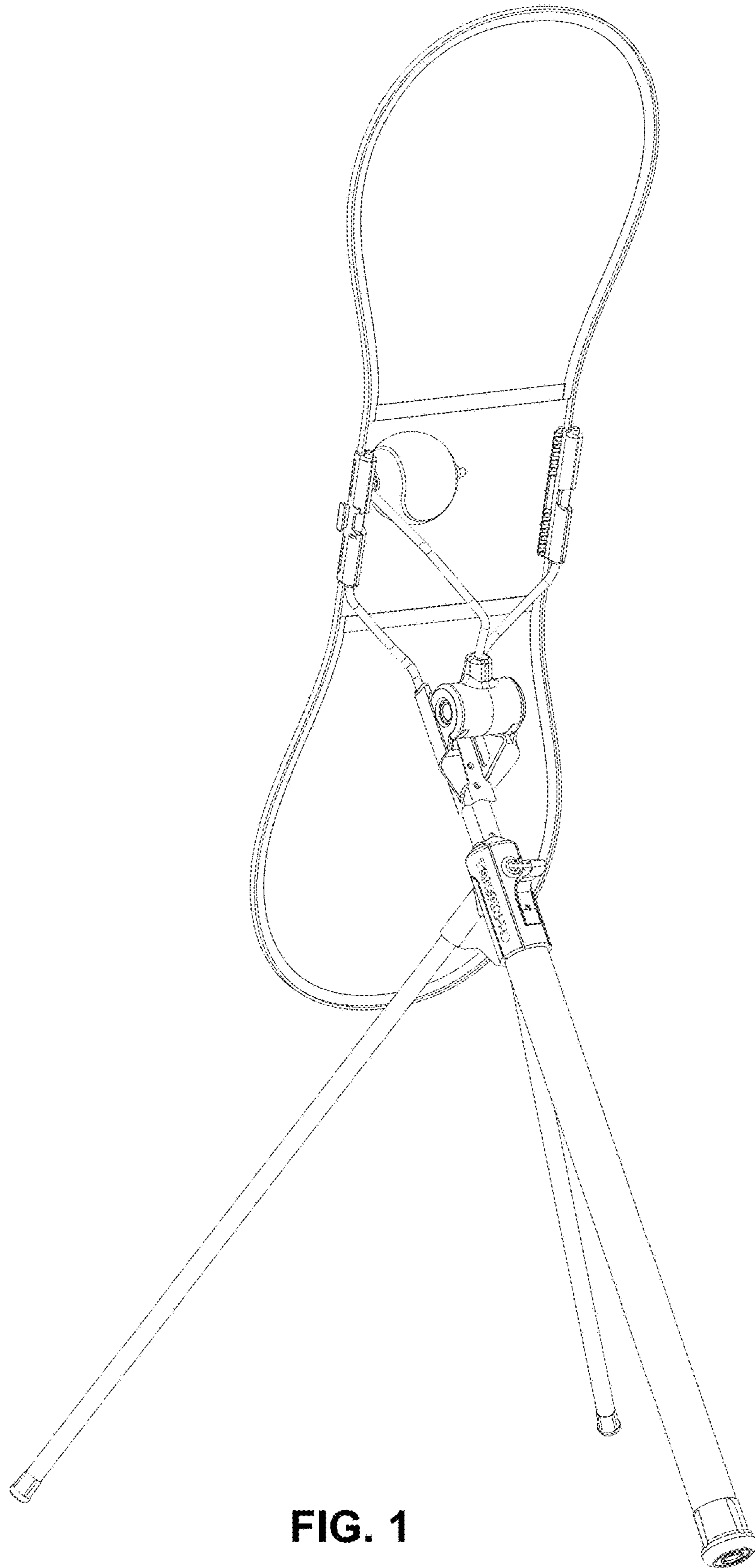
(56)

References Cited

U.S. PATENT DOCUMENTS

3,930,486	A *	1/1976	Kahelin .....	A63B 69/409 124/34	7,115,052	B2 *	10/2006	Wardle .....	A63B 69/38 473/423
4,256,303	A *	3/1981	Dobbins .....	A63B 69/40 124/34	D539,366	S *	3/2007	Niksich .....	D21/707
4,417,730	A *	11/1983	Weiner .....	A63B 69/0091 473/426	D750,184	S *	2/2016	Gordon .....	D21/698
4,531,734	A *	7/1985	Herrick .....	A63B 69/0091 473/429	9,623,312	B2 *	4/2017	Hofmeyr .....	A63B 69/0073
4,735,405	A *	4/1988	Marocco .....	A63B 69/409 124/50	2008/0032828	A1 *	2/2008	Alger .....	A63B 69/406 473/446
4,735,413	A *	4/1988	Yamanouchi .....	A63B 69/0084 473/426	2012/0004055	A1 *	1/2012	Balasubramanyan .....	A63B 47/002 473/459
4,989,867	A *	2/1991	Herrick .....	A63B 69/0091 473/429	2012/0040769	A1 *	2/2012	Swingle .....	A63B 63/00 473/195
5,386,988	A *	2/1995	Sung .....	A63B 69/0079 473/423	2015/0209644	A1 *	7/2015	Verma .....	A63B 69/38 473/419
D360,005	S *	7/1995	Nickal .....	D21/720	2015/0360112	A1 *	12/2015	Hofmeyr .....	A63B 69/0073 473/428
6,056,653	A *	5/2000	Boldin .....	A63B 69/38 473/461	2016/0008673	A1 *	1/2016	Lin .....	A63B 45/00 156/93
					2017/0203183	A1 *	7/2017	Dagn .....	A63B 69/38

\* cited by examiner



**FIG. 1**

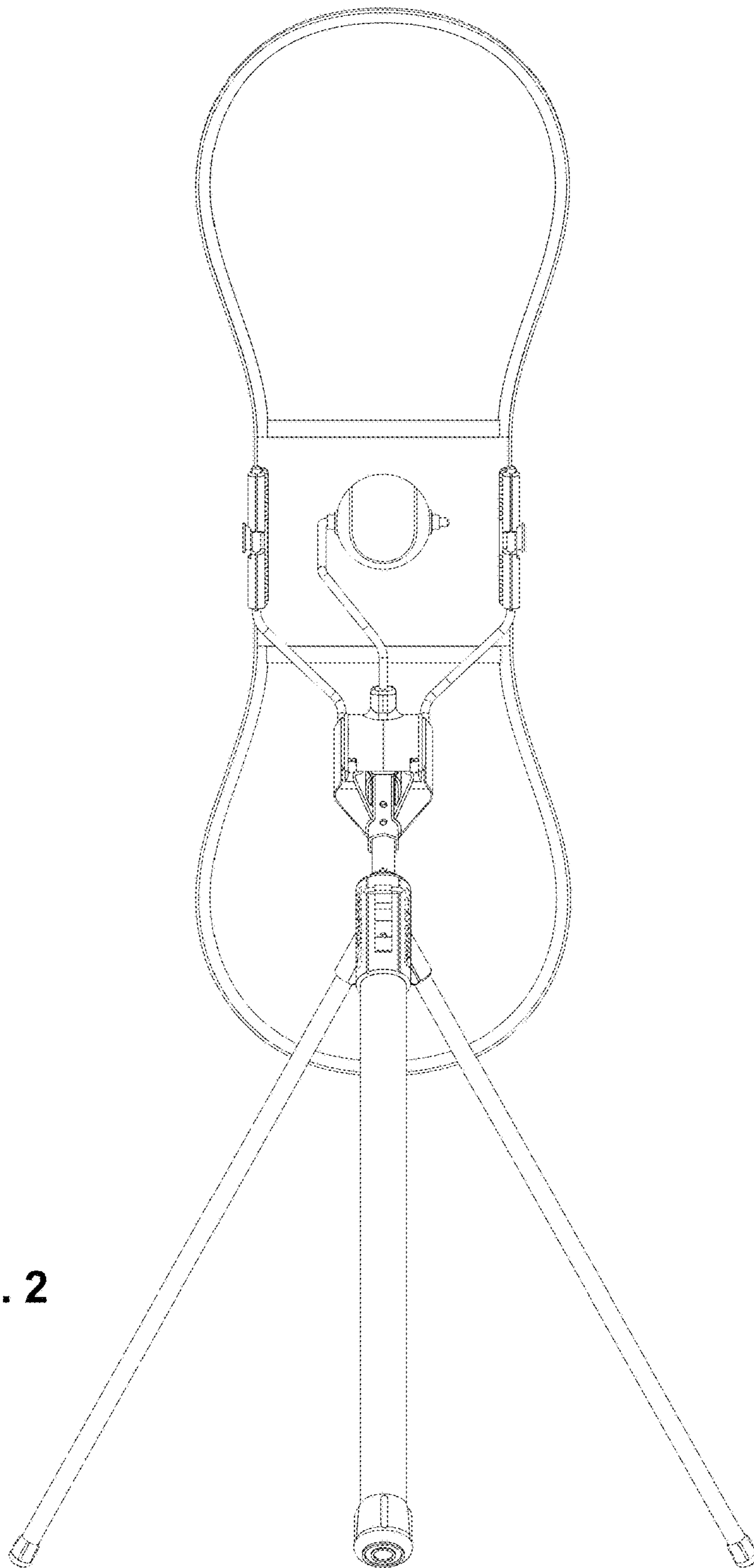


FIG. 2

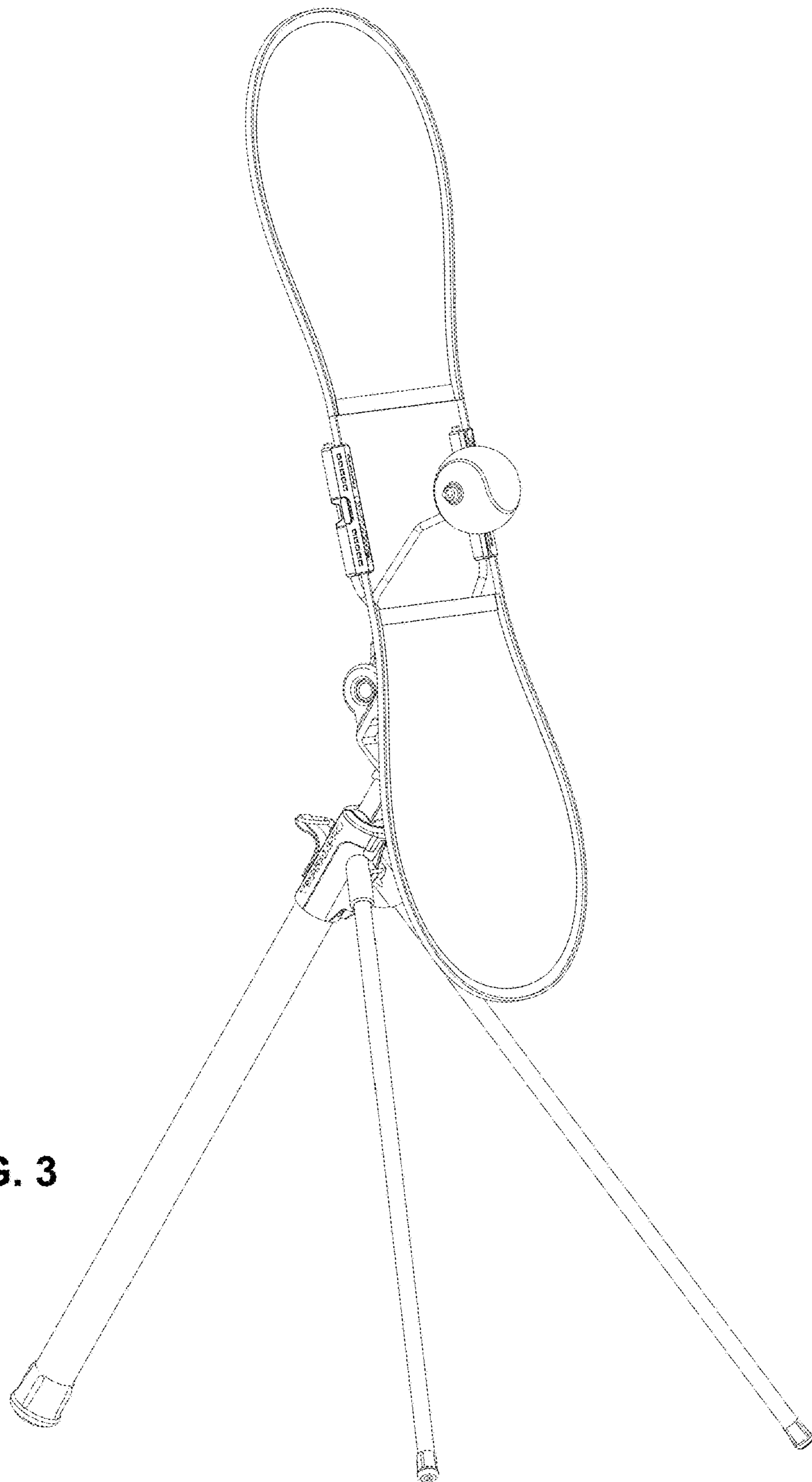


FIG. 3

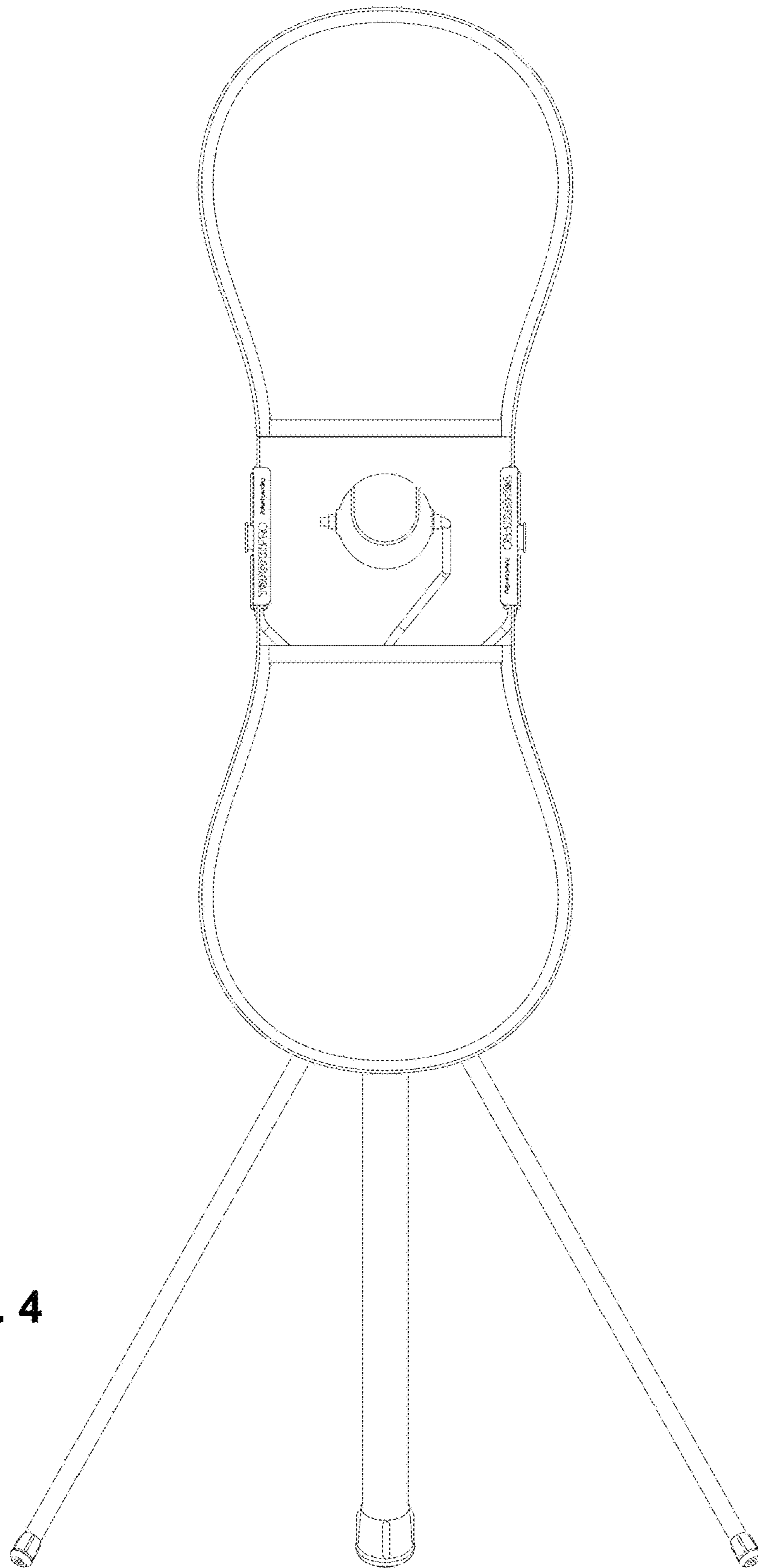


FIG. 4

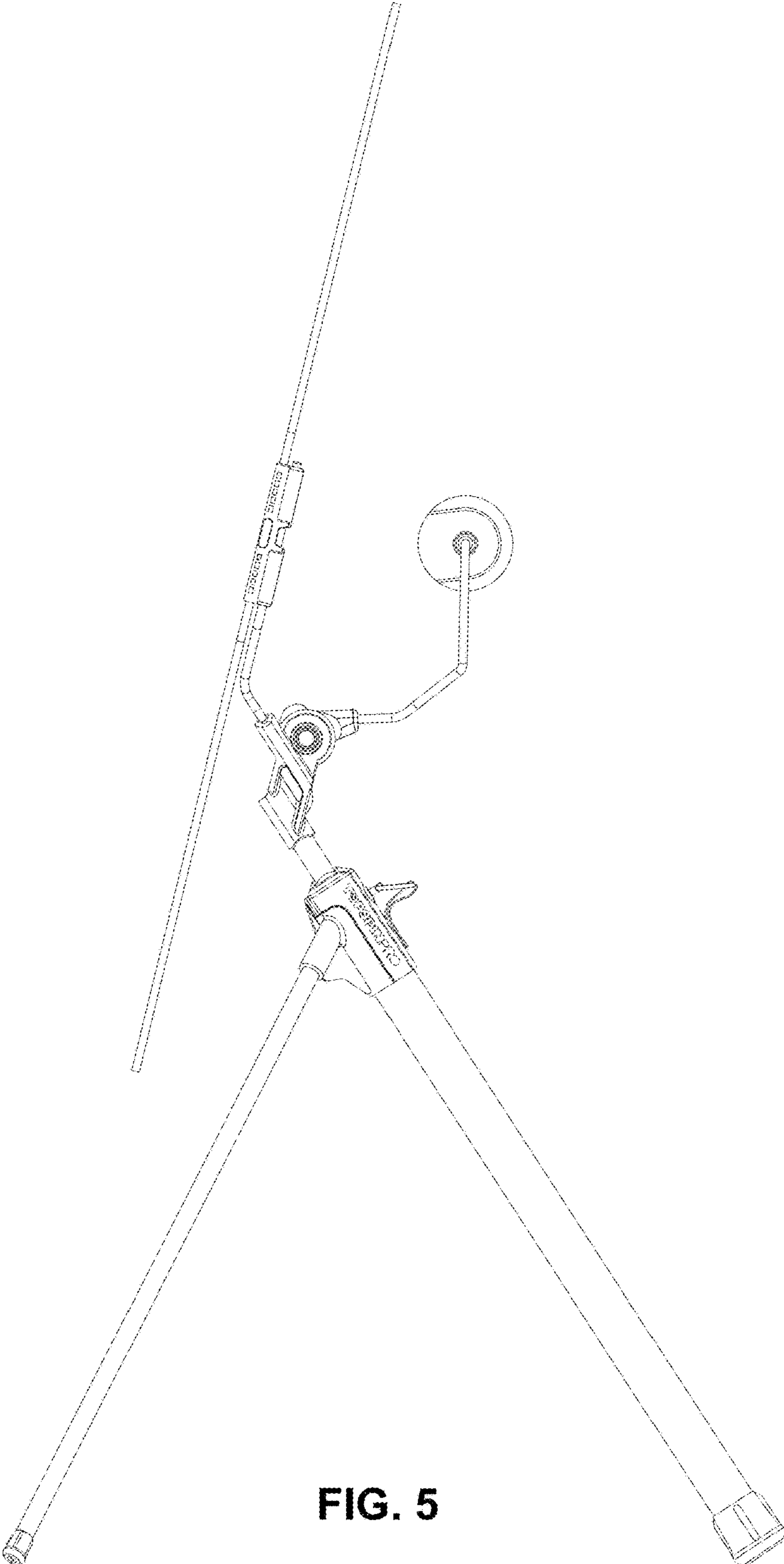


FIG. 5

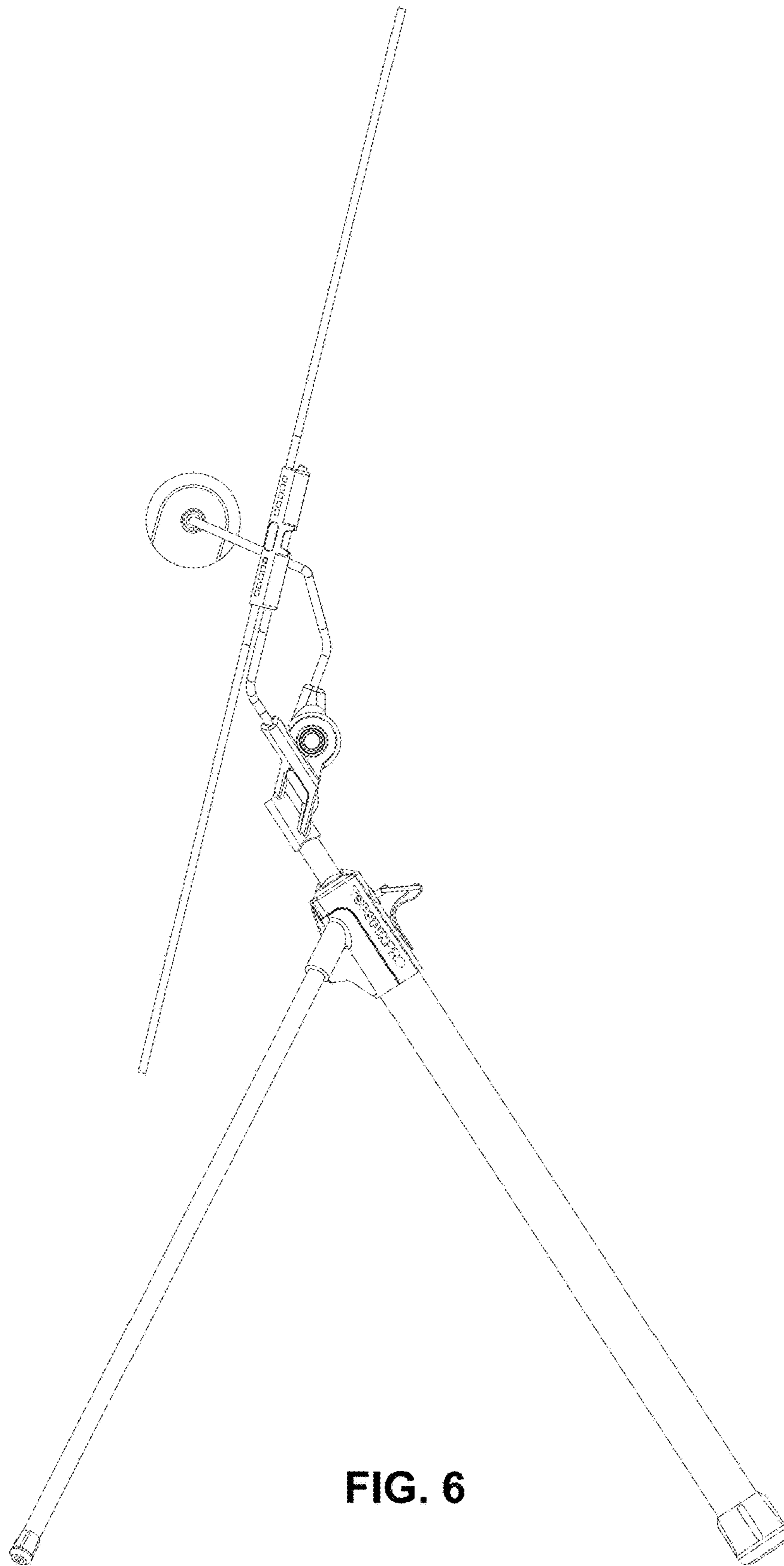


FIG. 6



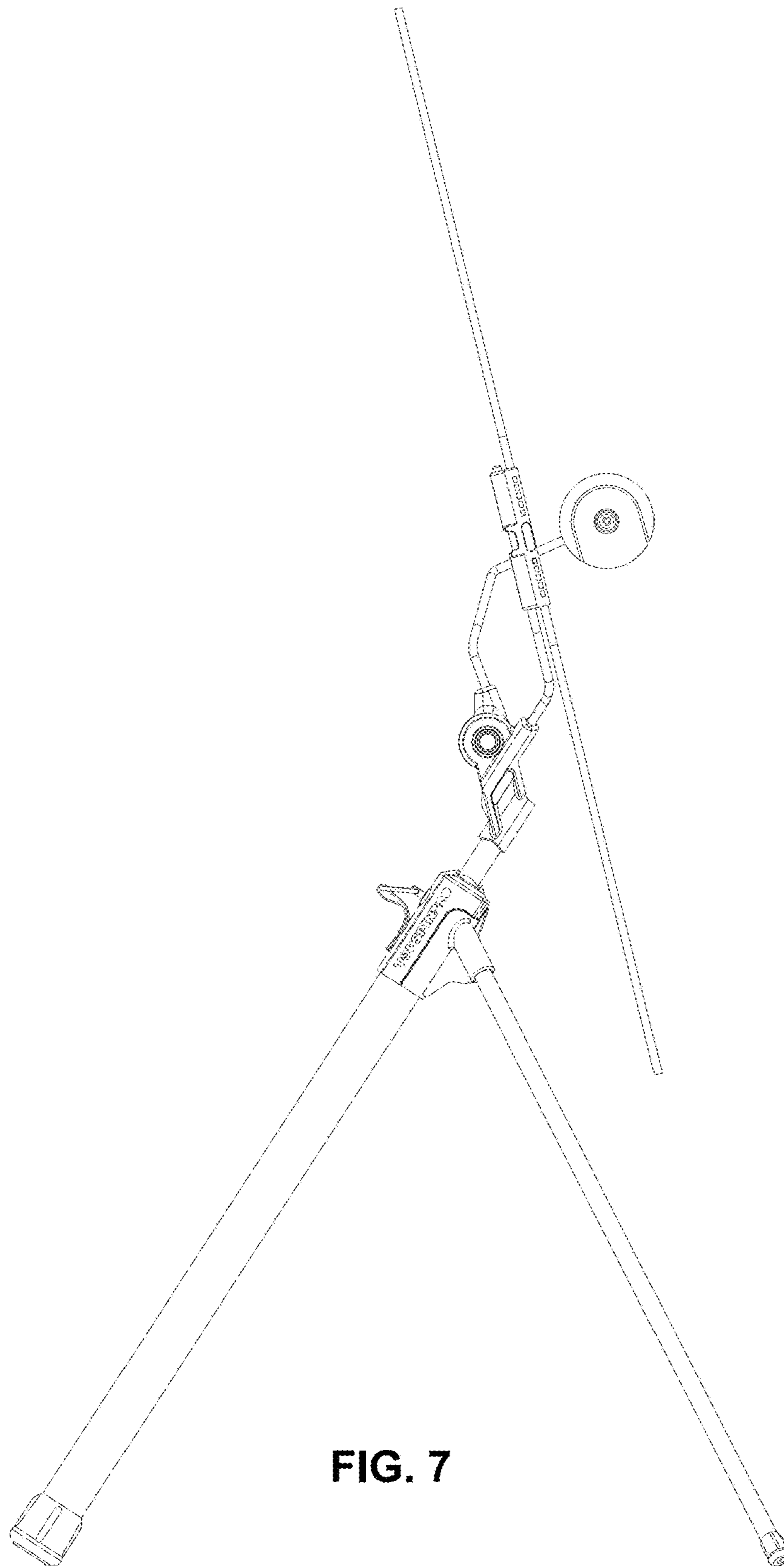


FIG. 7