



US00D838329S

(12) **United States Design Patent**  
**Heymans**

(10) **Patent No.:** **US D838,329 S**  
(45) **Date of Patent:** **\*\* Jan. 15, 2019**

(54) **TRAMPOLINE**  
(71) Applicant: **Joachim Heymans**, Moorenweis (DE)  
(72) Inventor: **Joachim Heymans**, Moorenweis (DE)  
(\*\*) Term: **15 Years**  
(21) Appl. No.: **35/503,796**  
(22) Filed: **Apr. 3, 2017**

6,053,845 A \* 4/2000 Publicover ..... A63B 5/11  
482/27  
D707,779 S \* 6/2014 Elson ..... D21/814  
D785,117 S \* 4/2017 Chen ..... D21/797  
D788,241 S \* 5/2017 Ho ..... A63B 5/11  
D21/797  
D788,243 S \* 5/2017 Bisang ..... A63B 5/11  
D21/797  
D788,868 S \* 6/2017 Bisang ..... A63B 5/11  
D21/797  
D799,626 S \* 10/2017 Chen ..... A63B 5/11  
D21/797

(80) **Hague Agreement Data**

Int. Filing Date: **Apr. 3, 2017**  
Int. Reg. No.: **DM/095676**  
Int. Reg. Date: **Apr. 3, 2017**  
Int. Reg. Pub. Date: **Oct. 6, 2017**

\* cited by examiner

*Primary Examiner* — George D. Kirschbaum  
*Assistant Examiner* — Joseph J Kukella

(51) **LOC (11) Cl.** ..... **21-02**  
(52) **U.S. Cl.**  
USPC ..... **D21/797**

(57) **CLAIM**

The ornamental design for a trampoline, as shown and described.

(58) **Field of Classification Search**

USPC ..... D21/662, 672, 686, 694, 797, 811, 814,  
D21/815, 837  
CPC ..... A47D 13/00; A47D 13/06; A47D 13/061;  
A47D 13/063; A47D 13/065; A47D  
13/066; A47D 13/068; A63B 5/00; A63B  
5/11

**DESCRIPTION**

See application file for complete search history.

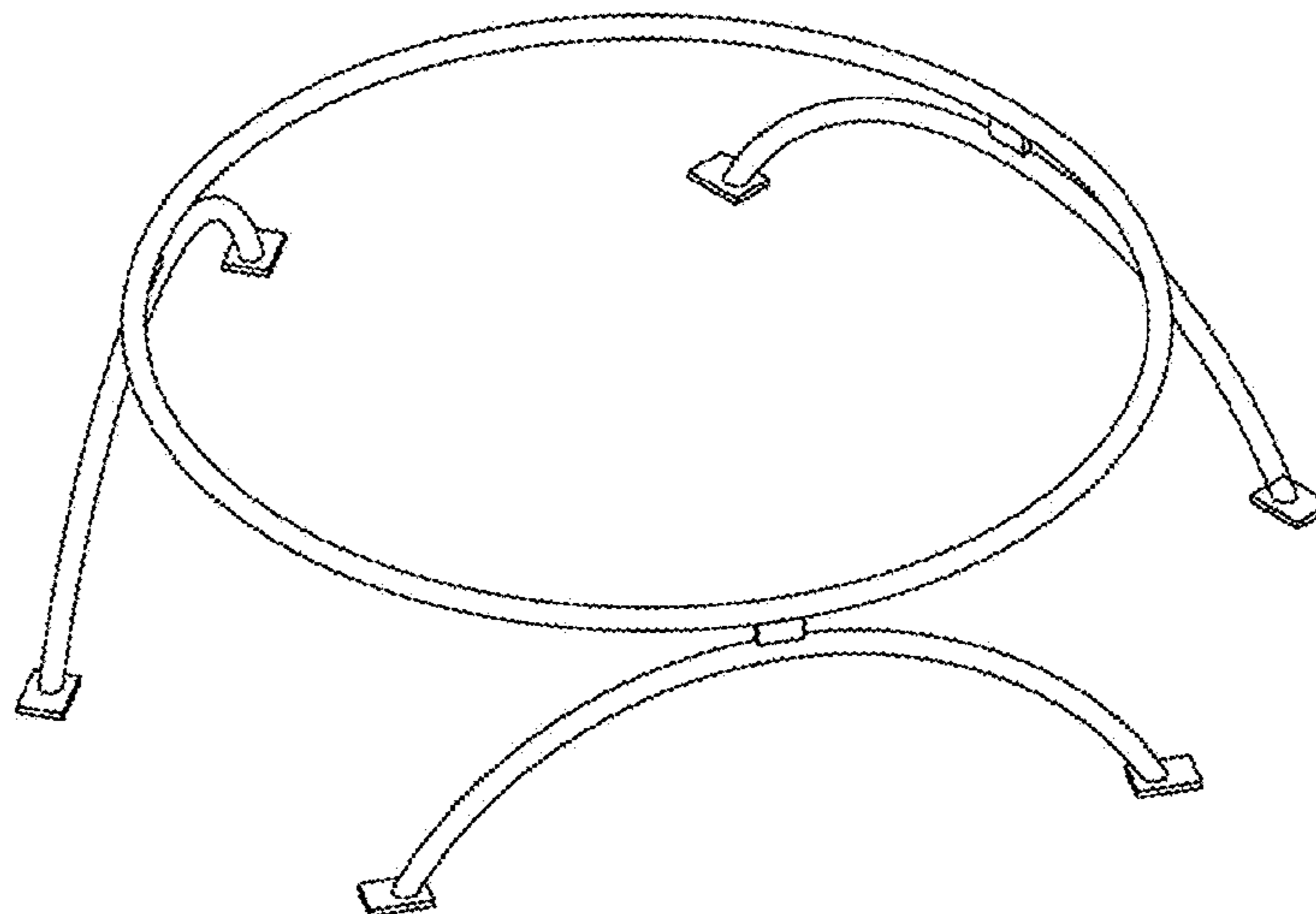
- 1.-2. Trampoline
- 1.1 : Back
- 1.2 : Bottom
- 1.3 : Perspective
- 1.4 : Right
- 1.5 : Left
- 1.6 : Top
- 1.7 : Front
- 2.1 : Front
- 2.2 : Back
- 2.3 : Left
- 2.4 : Bottom
- 2.5 : Right
- 2.6 : Top
- 2.7 : Perspective

(56) **References Cited**

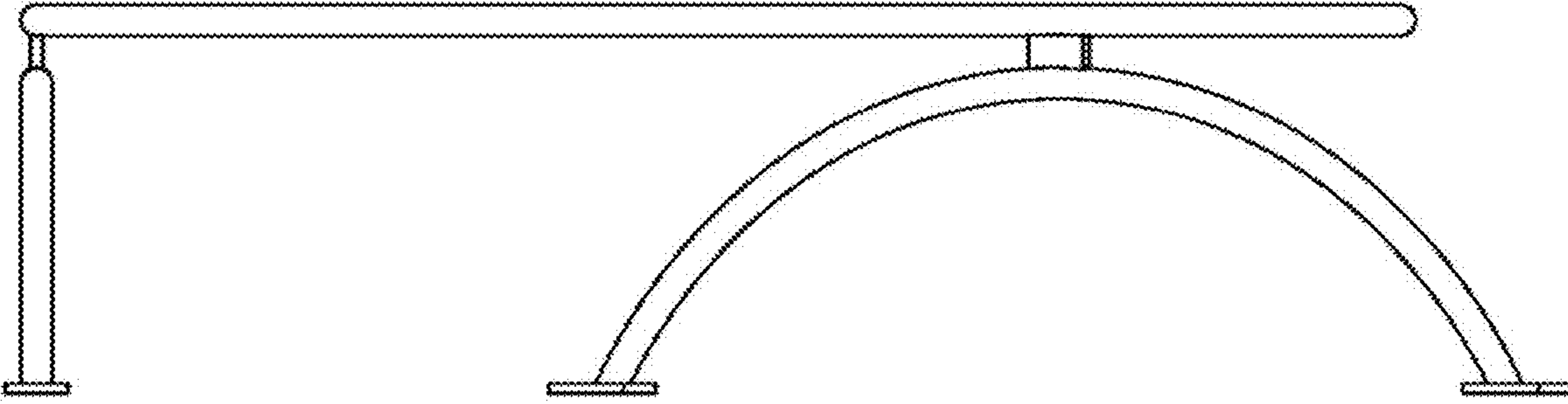
**U.S. PATENT DOCUMENTS**

D187,138 S \* 2/1960 Highberger ..... 482/27  
D223,263 S \* 4/1972 Goldstein ..... D21/797  
3,767,192 A \* 10/1973 Eriksson ..... A63B 5/11  
482/27  
3,948,515 A \* 4/1976 McNeil ..... A63B 5/11  
482/27  
4,284,271 A \* 8/1981 Pettit ..... A63B 5/11  
182/139  
D270,557 S \* 9/1983 Williams ..... D21/797

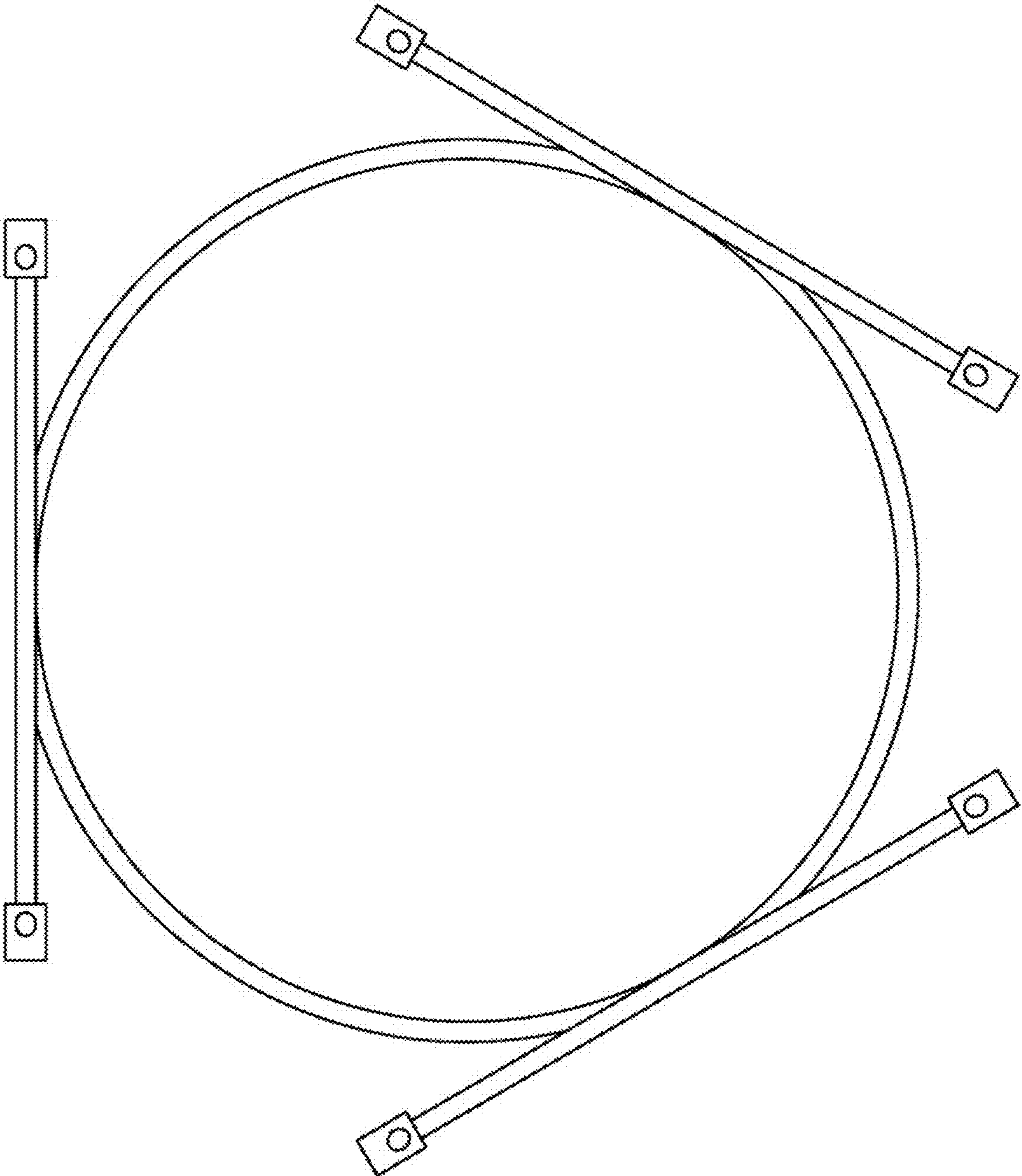
**1 Claim, 14 Drawing Sheets**



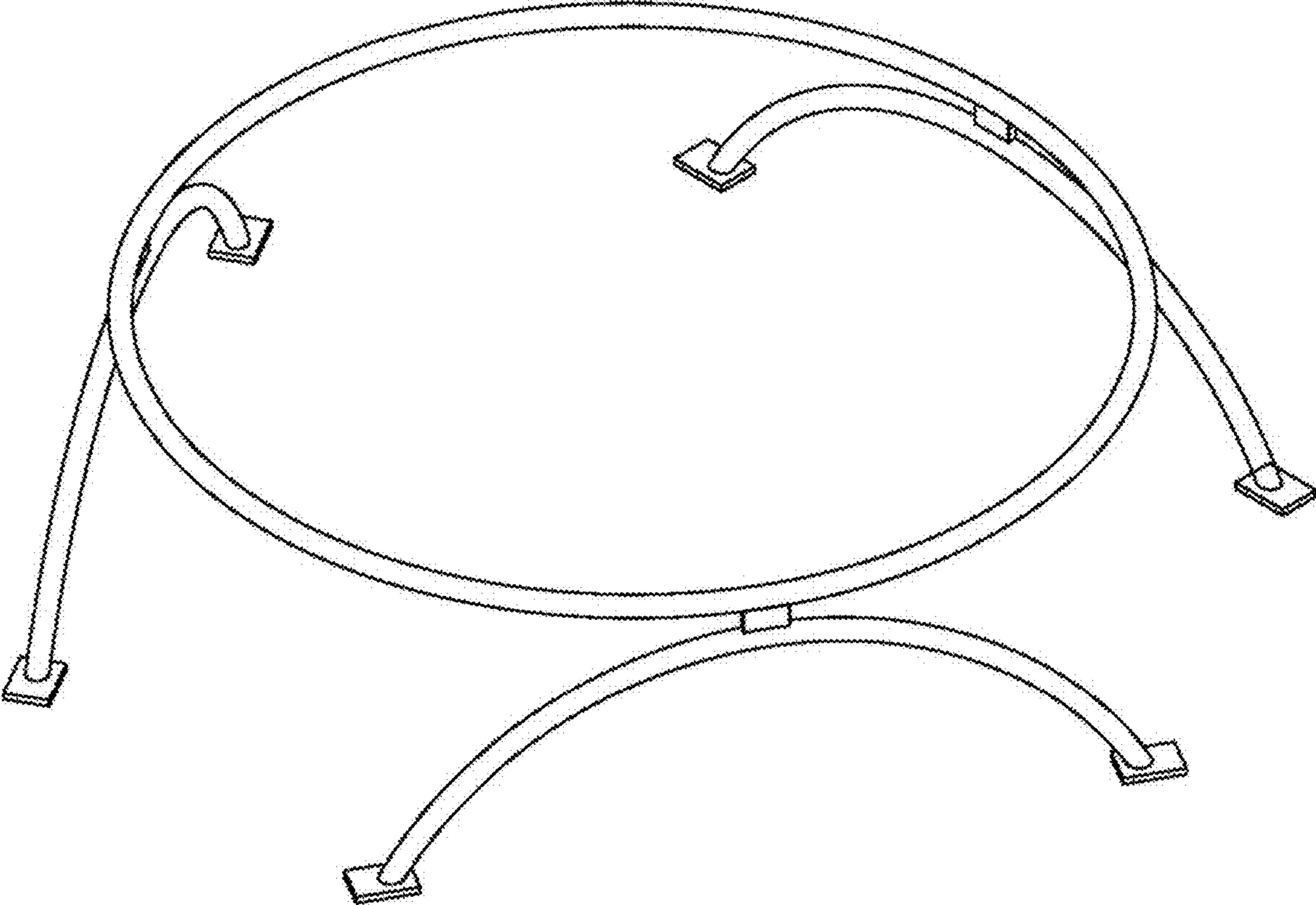
1.1



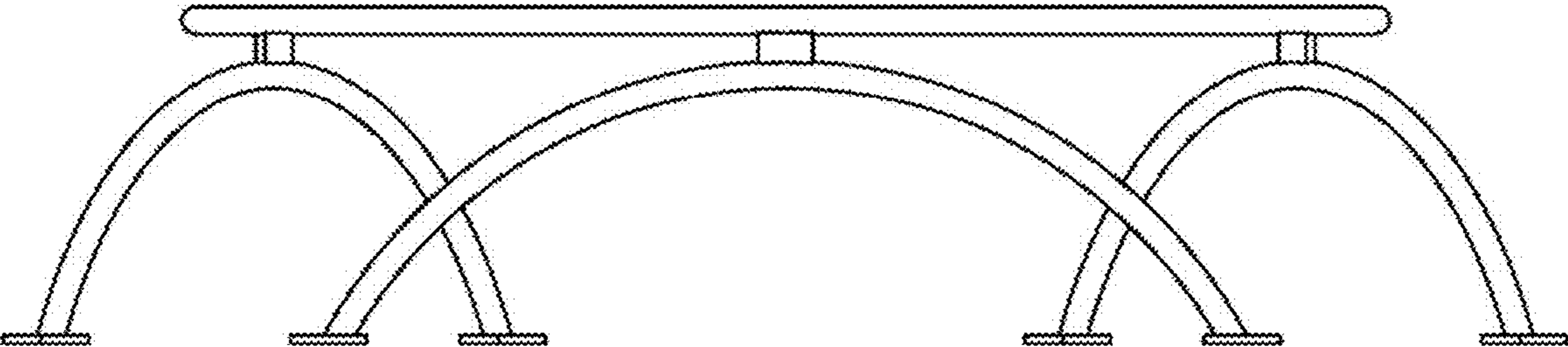
1.2



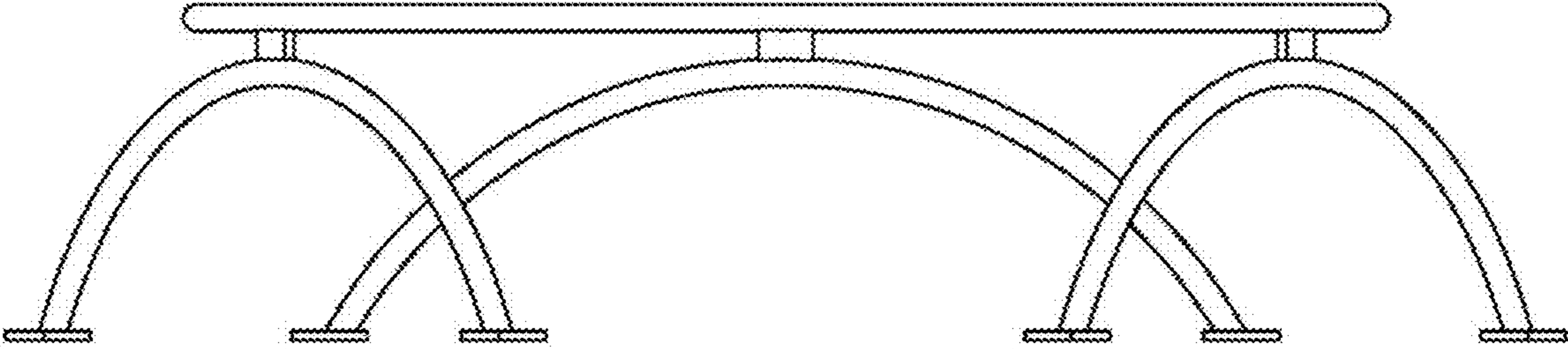
1.3



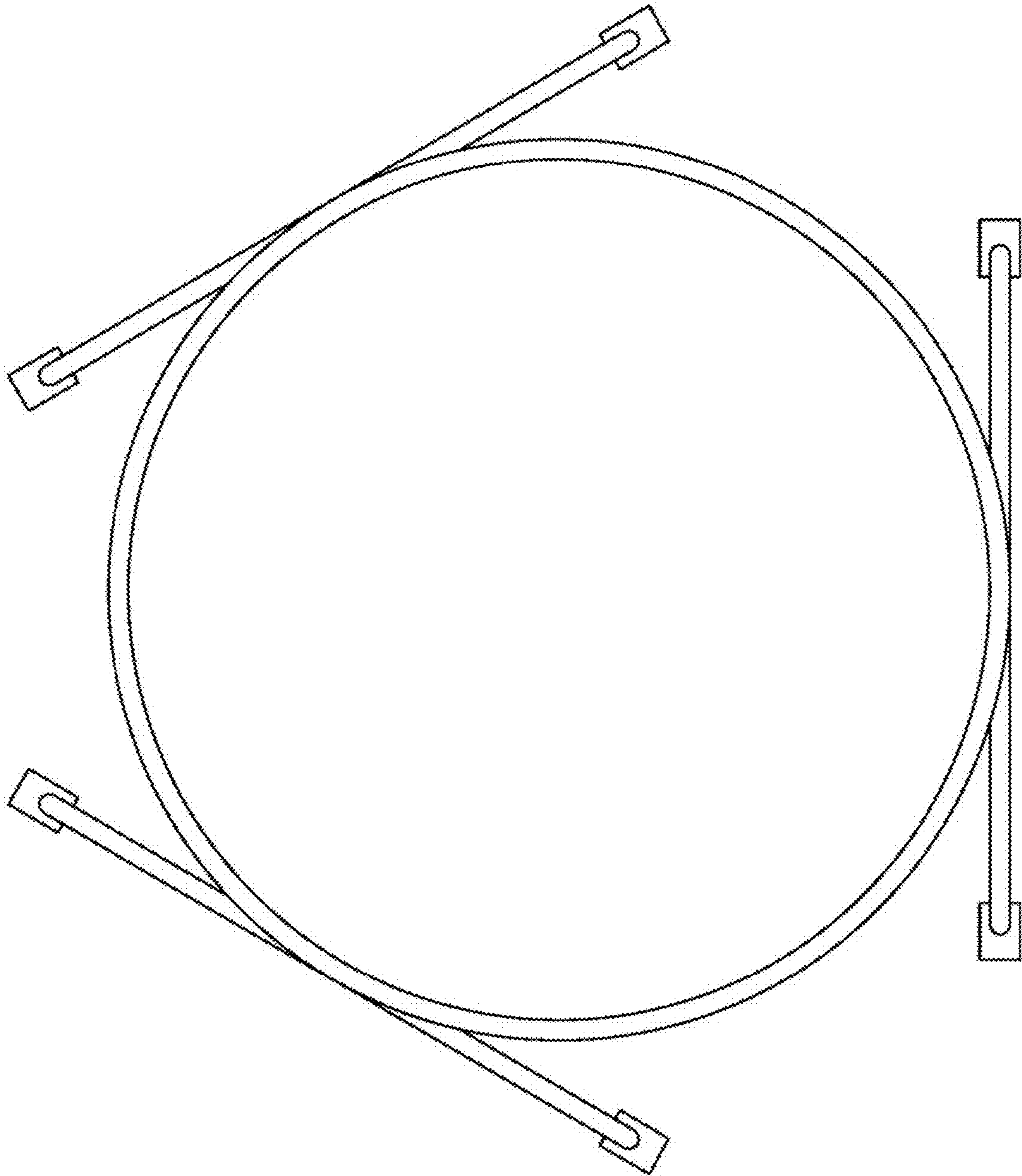
1.4



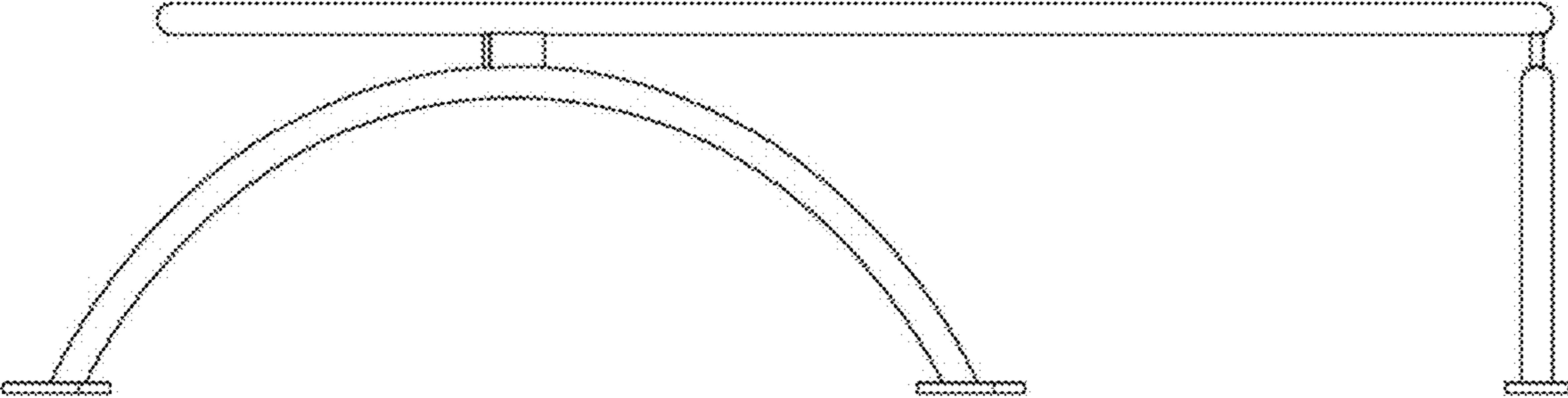
1.5



1.6

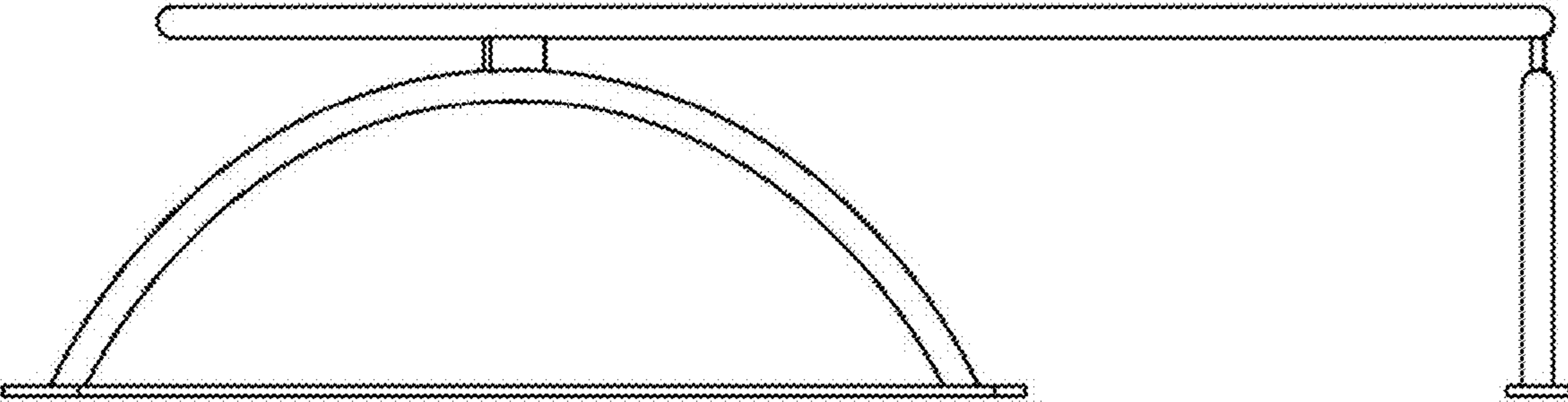


1.7

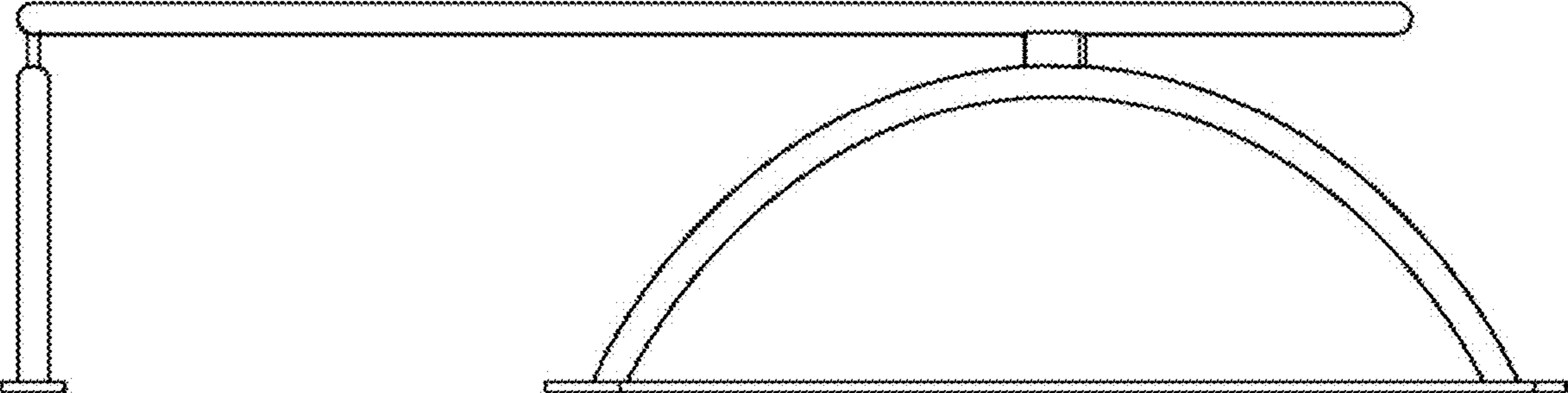




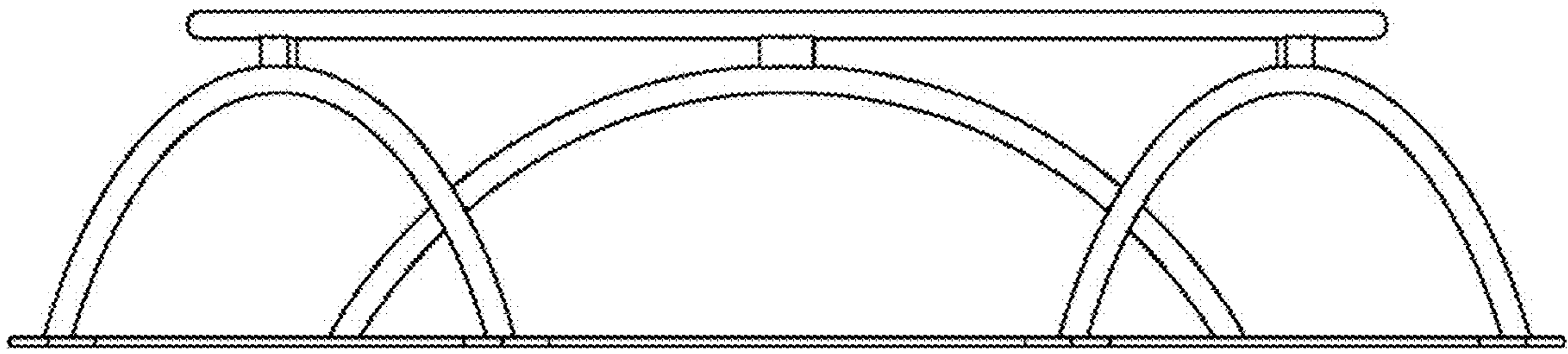
2.1



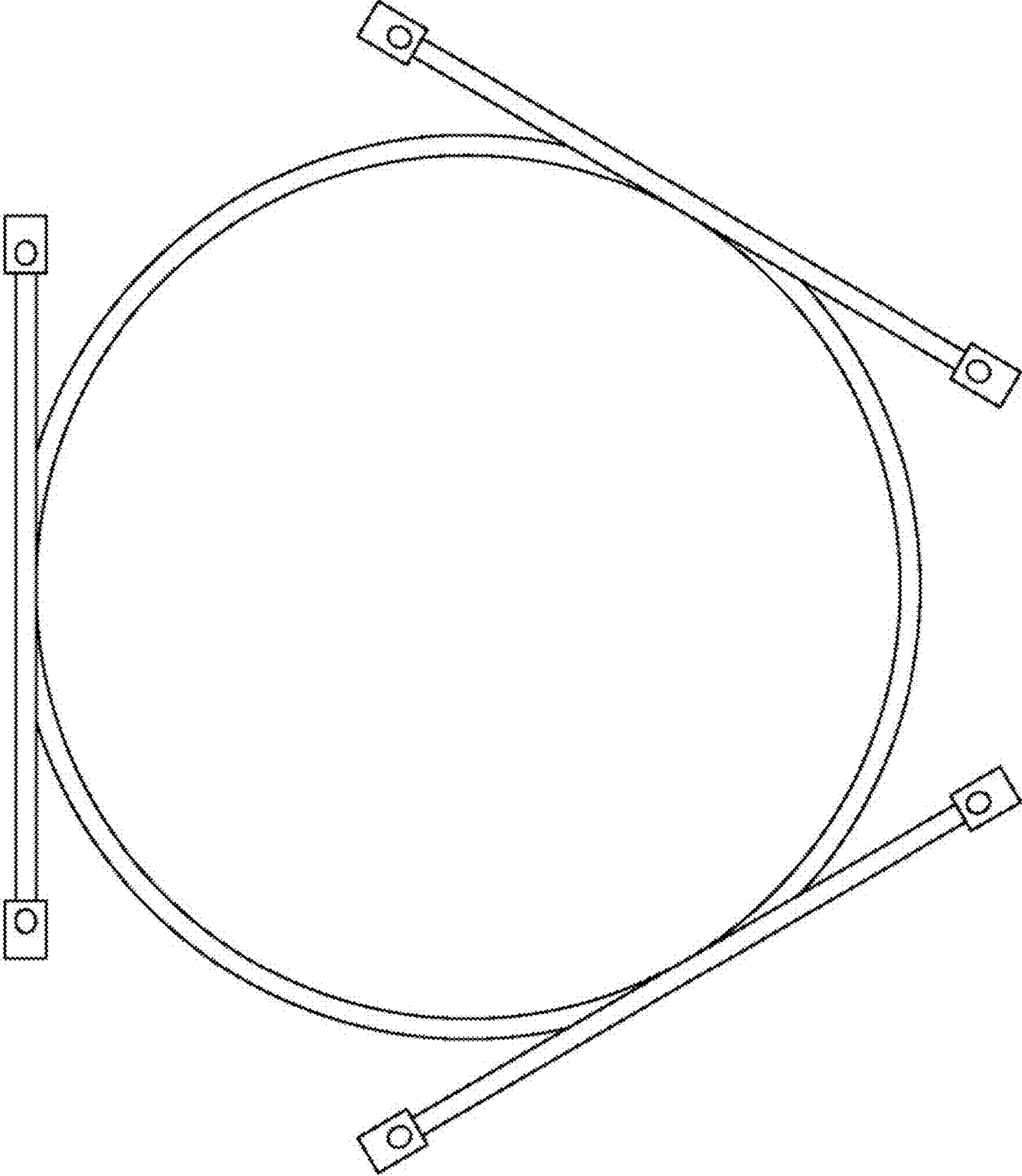
2.2



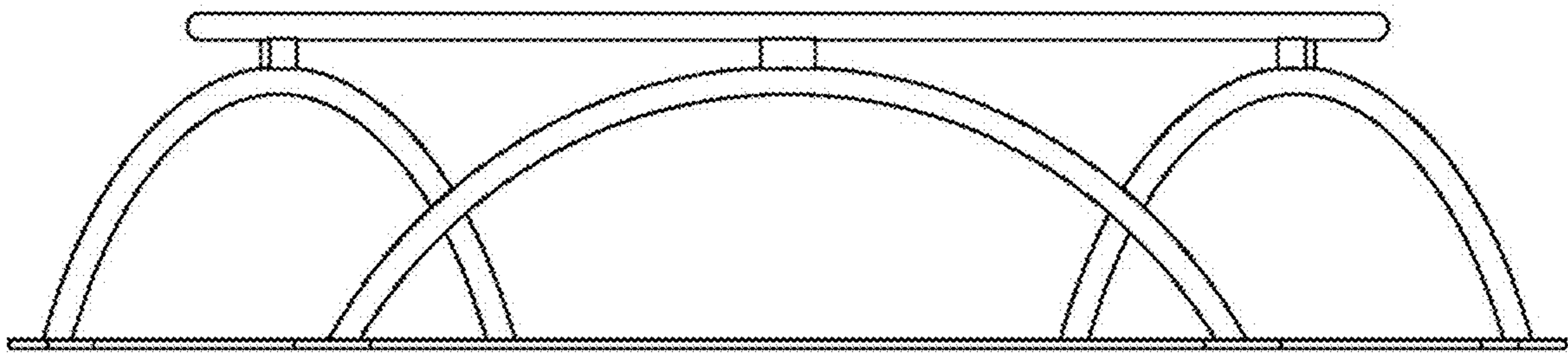
2.3



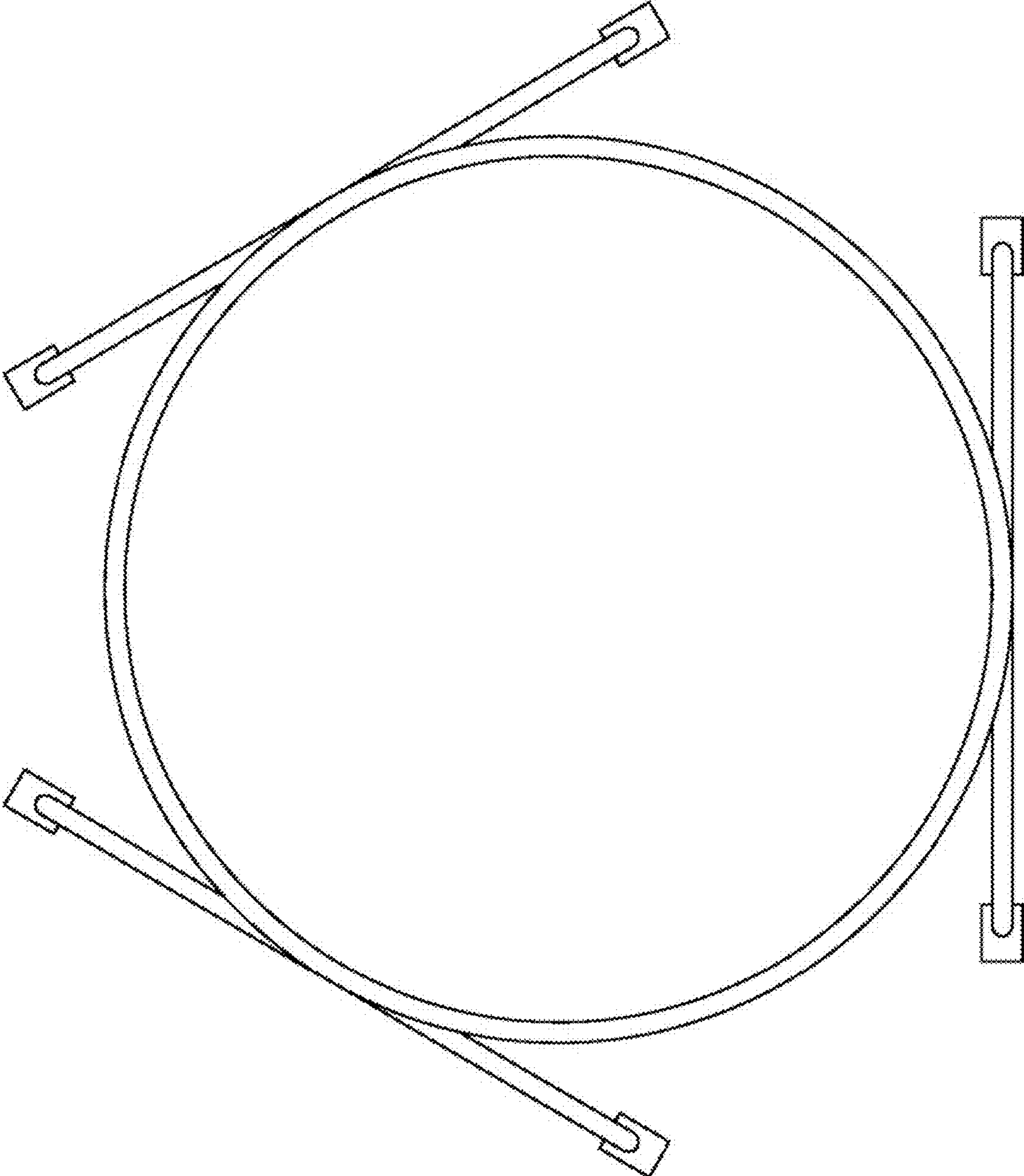
2.4



2.5



2.6



2.7

